



US00D708056S

(12) **United States Design Patent**  
**Larson et al.**

(10) **Patent No.:** **US D708,056 S**  
(45) **Date of Patent:** **\*\* Jul. 1, 2014**

(54) **TRAY**

- (71) Applicant: **Millennium Pharmaceuticals Inc.**,  
Cambridge, MA (US)
- (72) Inventors: **Iver Larson**, Weston, MA (US); **Shilpa Sawhney**, Arlington, MA (US); **Shawn Lynn Goodman**, Everett, MA (US); **Irache B. Visiers**, Arlington, MA (US); **Michael Boyson**, Somerville, MA (US); **Christopher Hurff**, Winchester, MA (US)
- (73) Assignee: **Millennium Pharmaceuticals, Inc.**,  
Cambridge, MA (US)
- (\*\*) Term: **14 Years**
- (21) Appl. No.: **29/444,109**
- (22) Filed: **Jan. 25, 2013**

**Related U.S. Application Data**

- (63) Continuation-in-part of application No. 29/412,004, filed on Jan. 27, 2012, now Pat. No. Des. 691,880.
- (51) **LOC (10) Cl.** ..... **09-03**
- (52) **U.S. Cl.**  
USPC ..... **D9/424**
- (58) **Field of Classification Search**  
USPC ..... D9/414, 415, 416, 423, 424, 425, 432, D9/439, 440, 455, 506, 518, 522, 523, 529, D9/530, 544, 545, 553, 564, 566, 763, 753, D9/757, 760, 761, 764, 772, 773, 776; 206/216, 232, 470, 461, 463, 469, 543, 206/557, 771, 806; D24/107, 108, 117, D24/121, 123, 128, 131, 227, 229  
See application file for complete search history.

(56) **References Cited**

U.S. PATENT DOCUMENTS

4,221,295	A *	9/1980	Tuchband et al.	206/569
D283,051	S *	3/1986	Fichera	D24/123
D283,487	S *	4/1986	Holewinski et al.	D9/756
D330,417	S *	10/1992	Bell	D24/117
D332,743	S *	1/1993	Vigue	D9/750
5,657,874	A *	8/1997	Hustad et al.	206/764
D429,964	S *	8/2000	Miller et al.	D7/553.4
D442,082	S *	5/2001	Maeda et al.	D9/425
D600,111	S *	9/2009	Gerulski et al.	D9/424
8,006,834	B2 *	8/2011	Marcinkowski	206/232
2012/0205276	A1 *	8/2012	Shackford	206/469

OTHER PUBLICATIONS

Community Design No. 000289954-0002, Published Apr. 5, 2005, silver plastics GmbH & Co. KG.

\* cited by examiner

*Primary Examiner* — Derrick Holland

*Assistant Examiner* — Lauren Calve

(74) *Attorney, Agent, or Firm* — Honigman Miller Schwartz and Cohn LLP; Douglas H. Siegel; Jonathan P. O'Brien

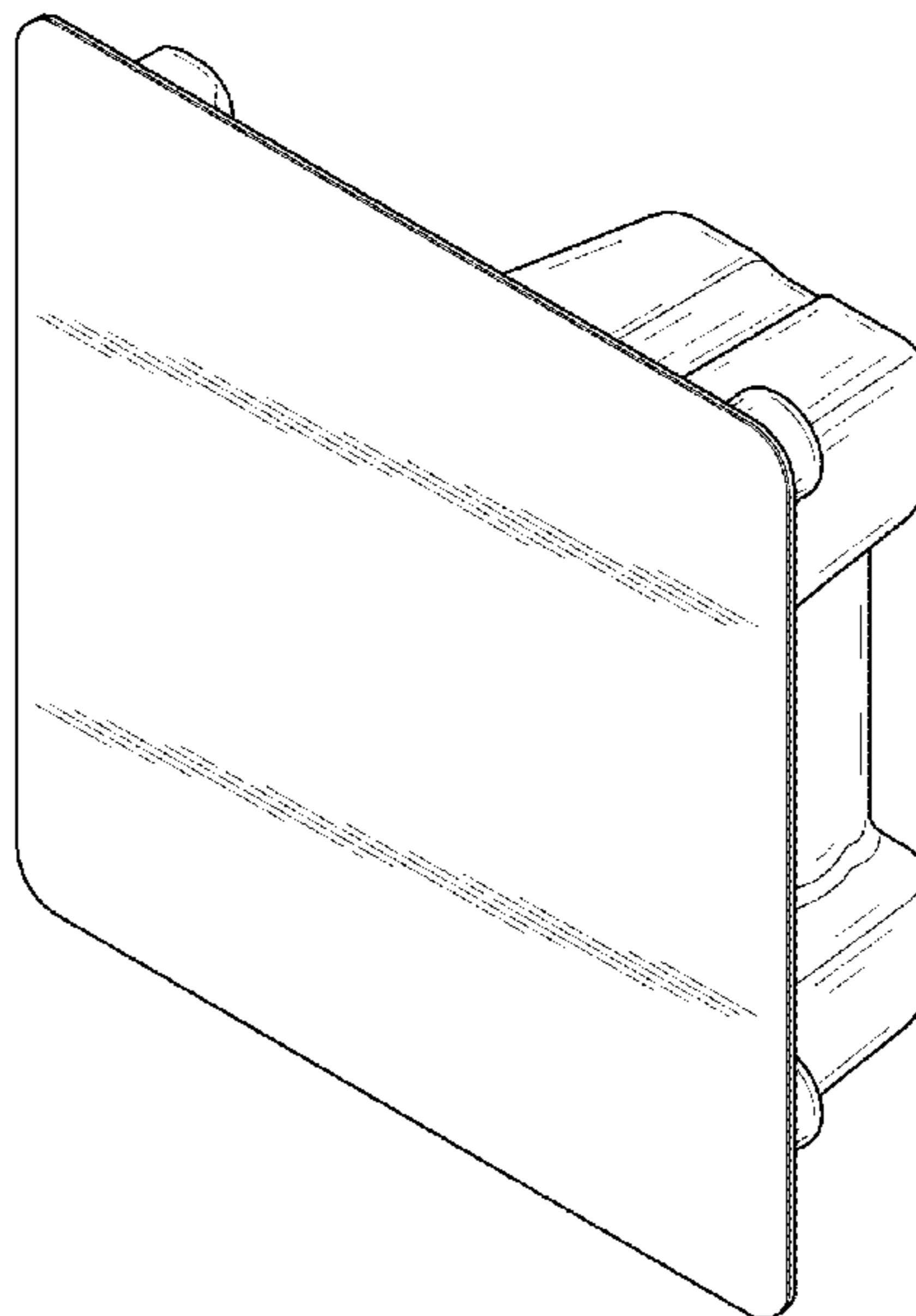
(57) **CLAIM**

We claim the ornamental design for a tray, as shown and described.

**DESCRIPTION**

FIG. 1 is a perspective view of a tray showing our new design; FIG. 2 is a front elevational view thereof; FIG. 3 is a back elevational view thereof; FIG. 4 is a right elevational view thereof; FIG. 5 is a left elevational view thereof; FIG. 6 is a top plan view thereof; and, FIG. 7 is a bottom plan view thereof.

**1 Claim, 5 Drawing Sheets**



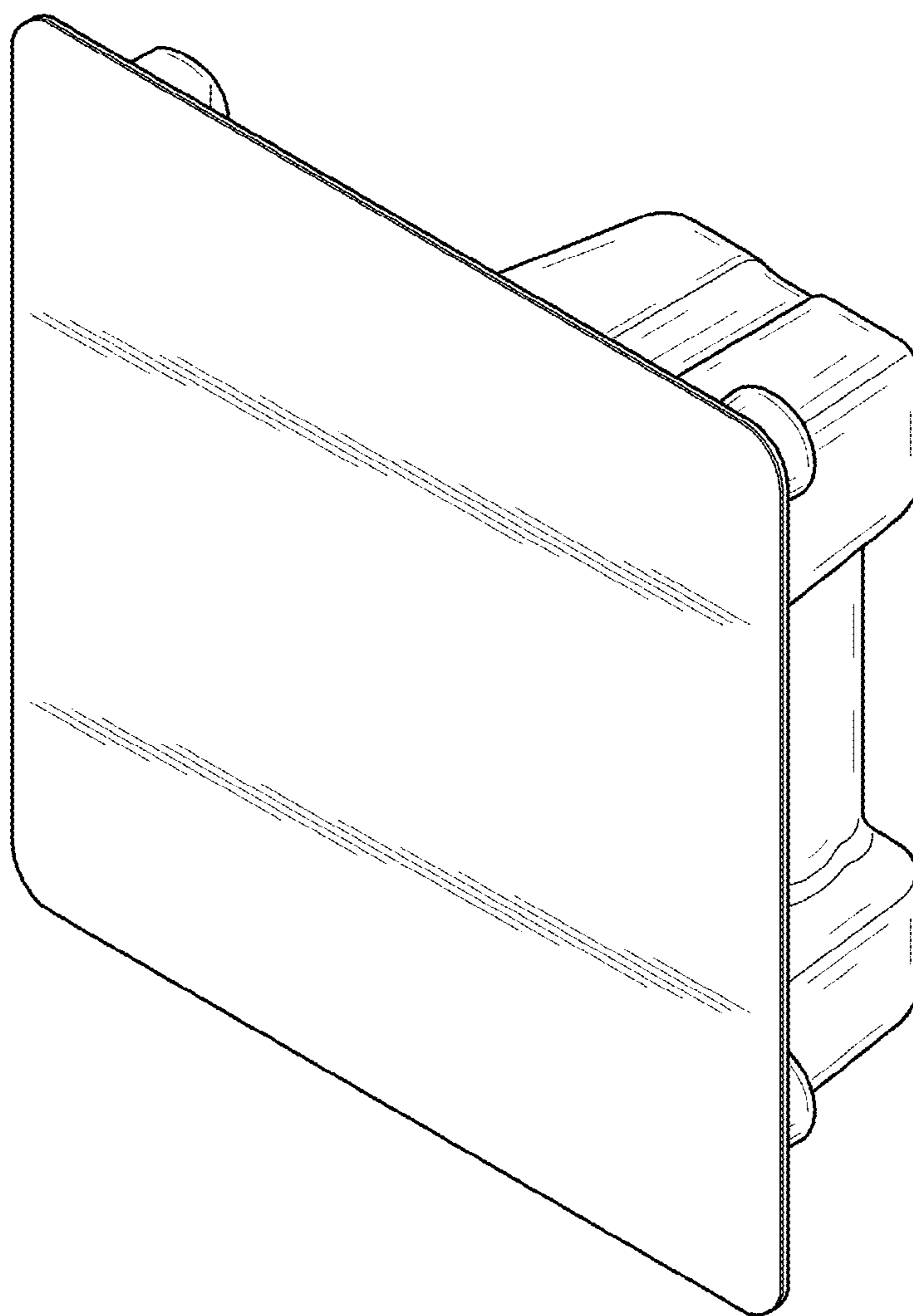


FIG. 1

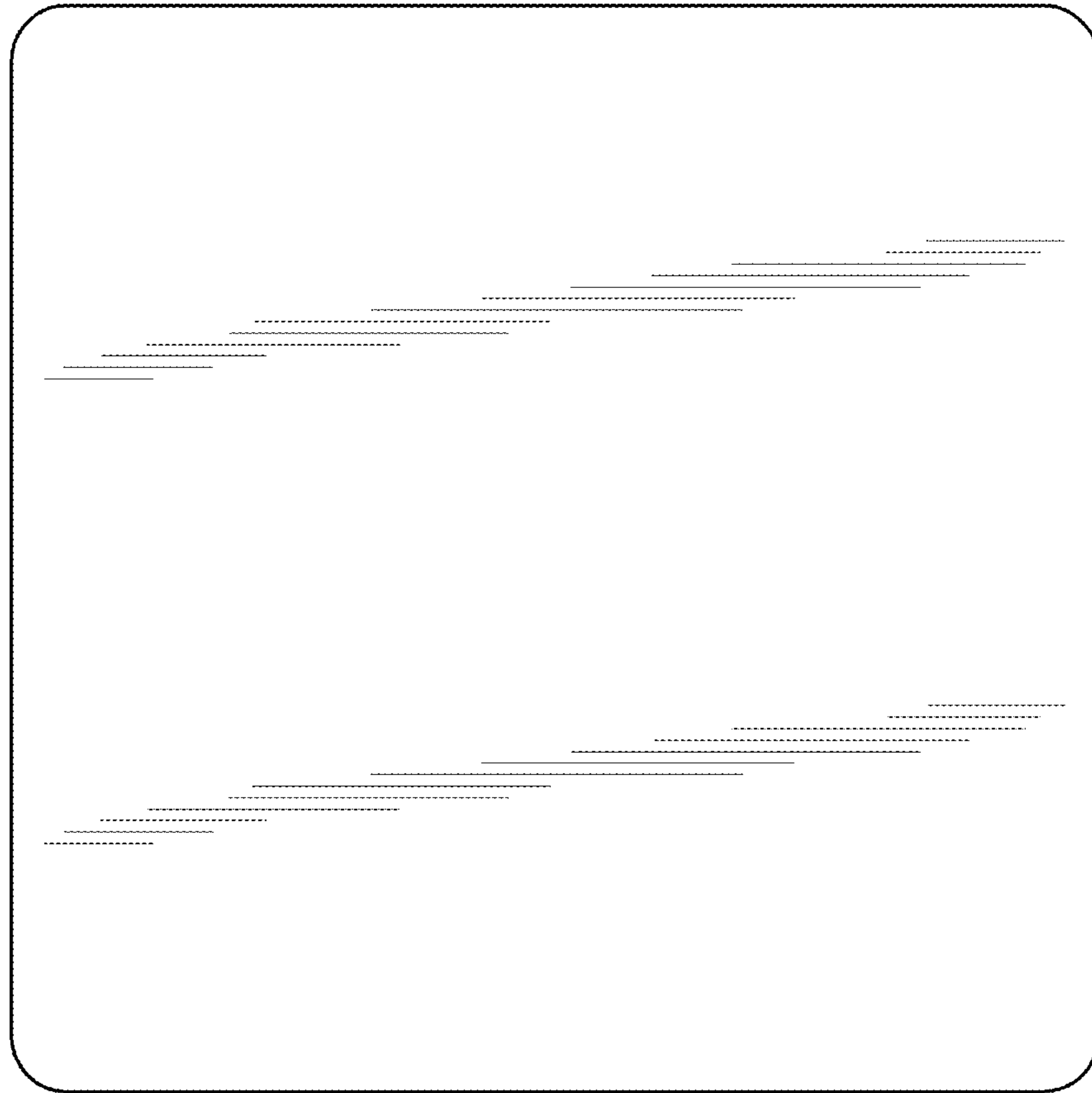


FIG. 2

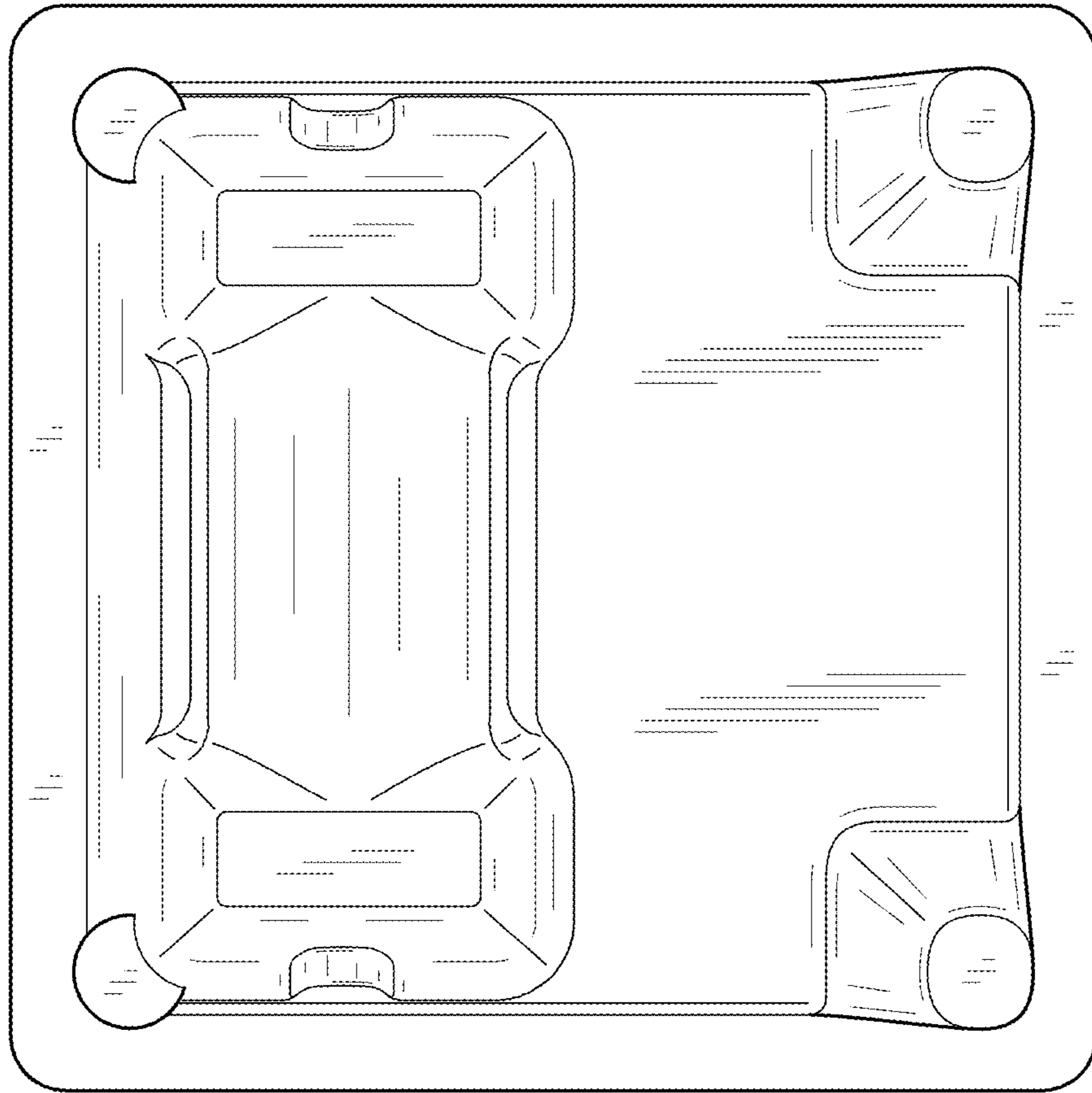


FIG. 3

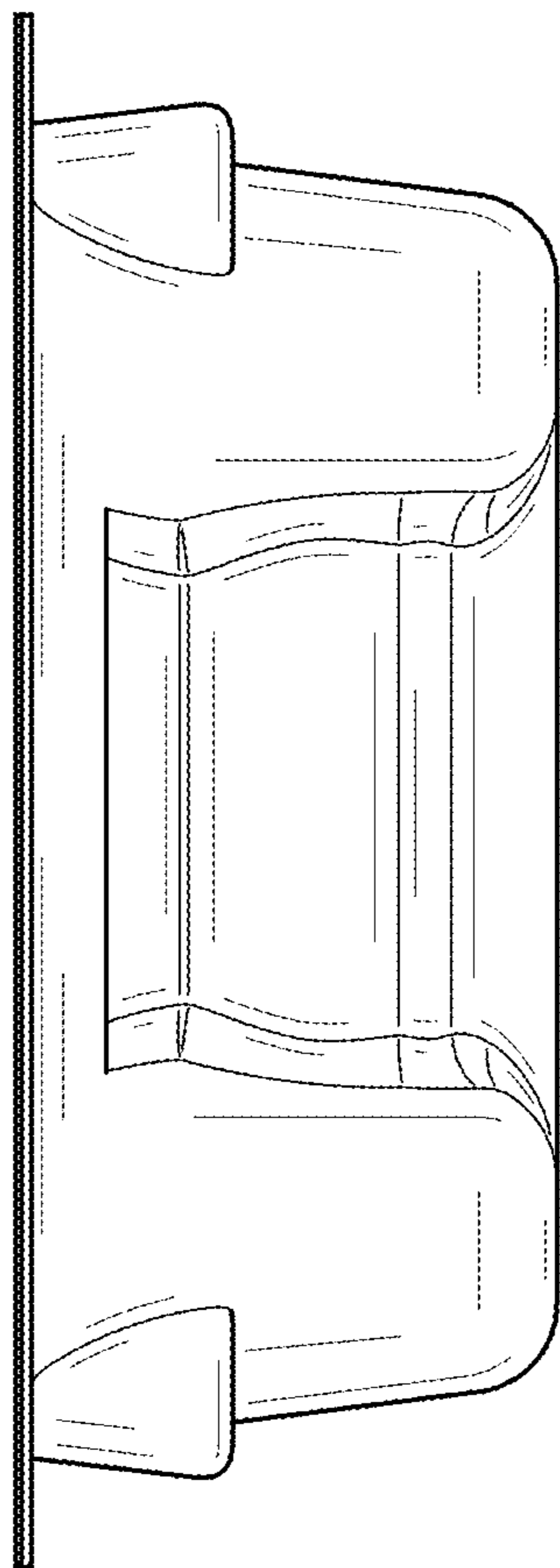


FIG. 4

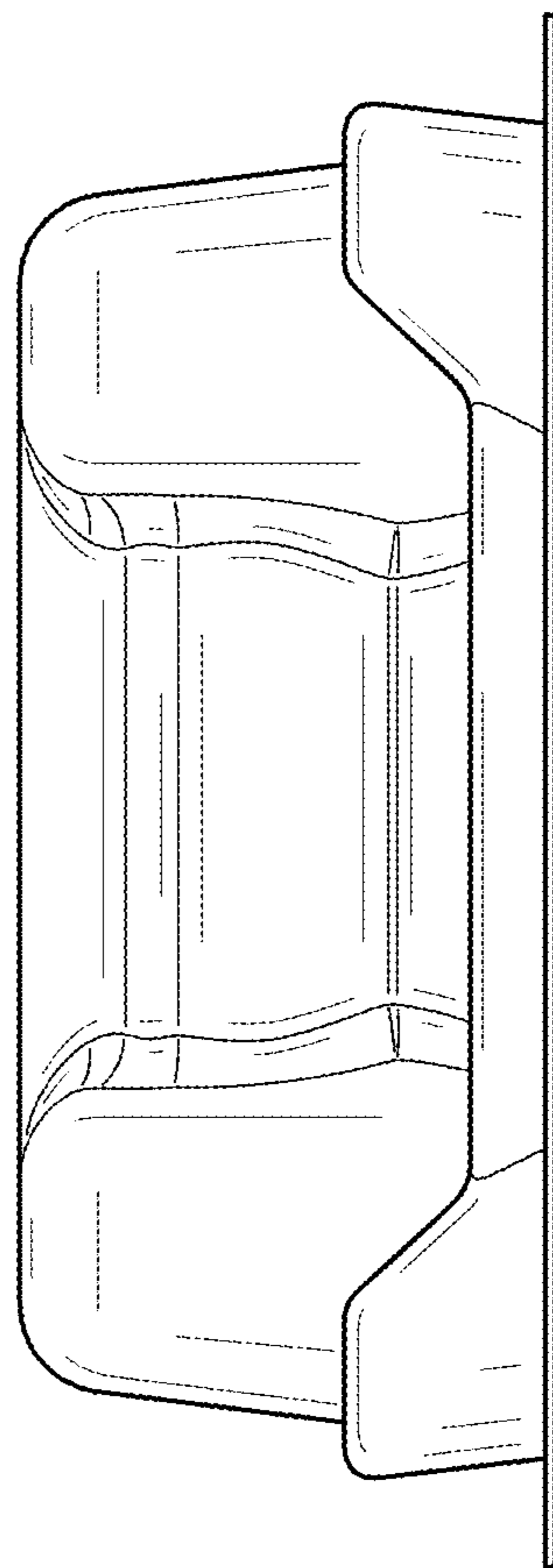


FIG. 5

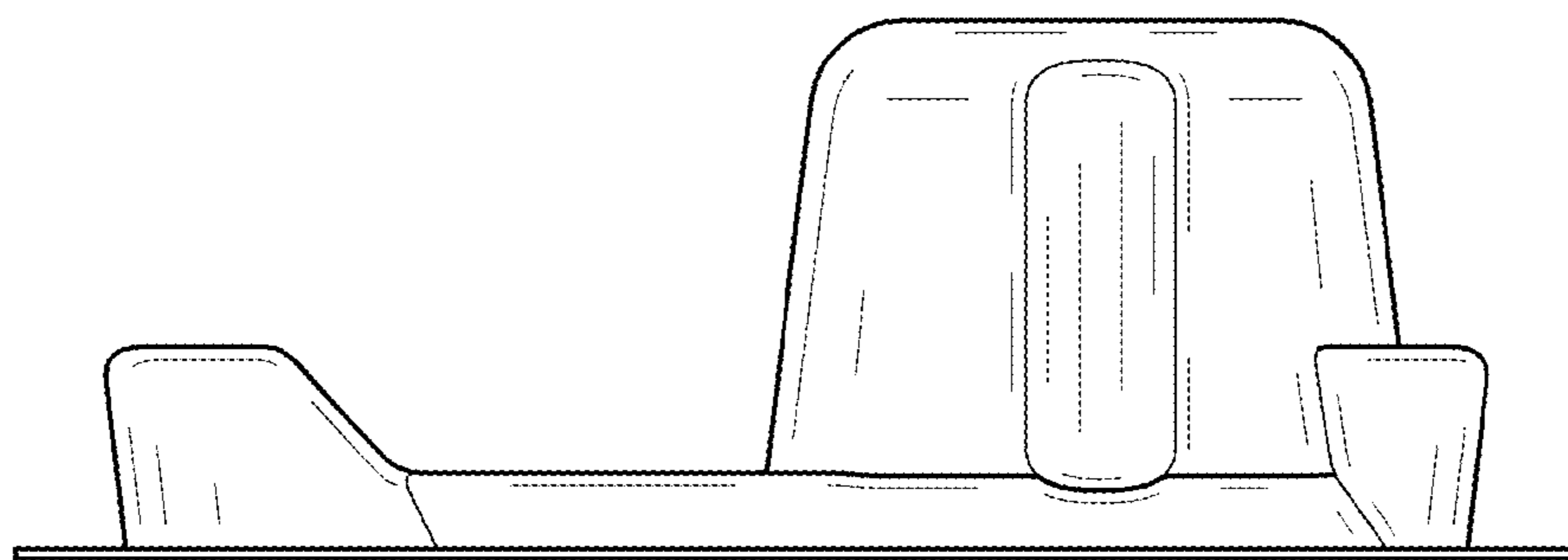


FIG. 6

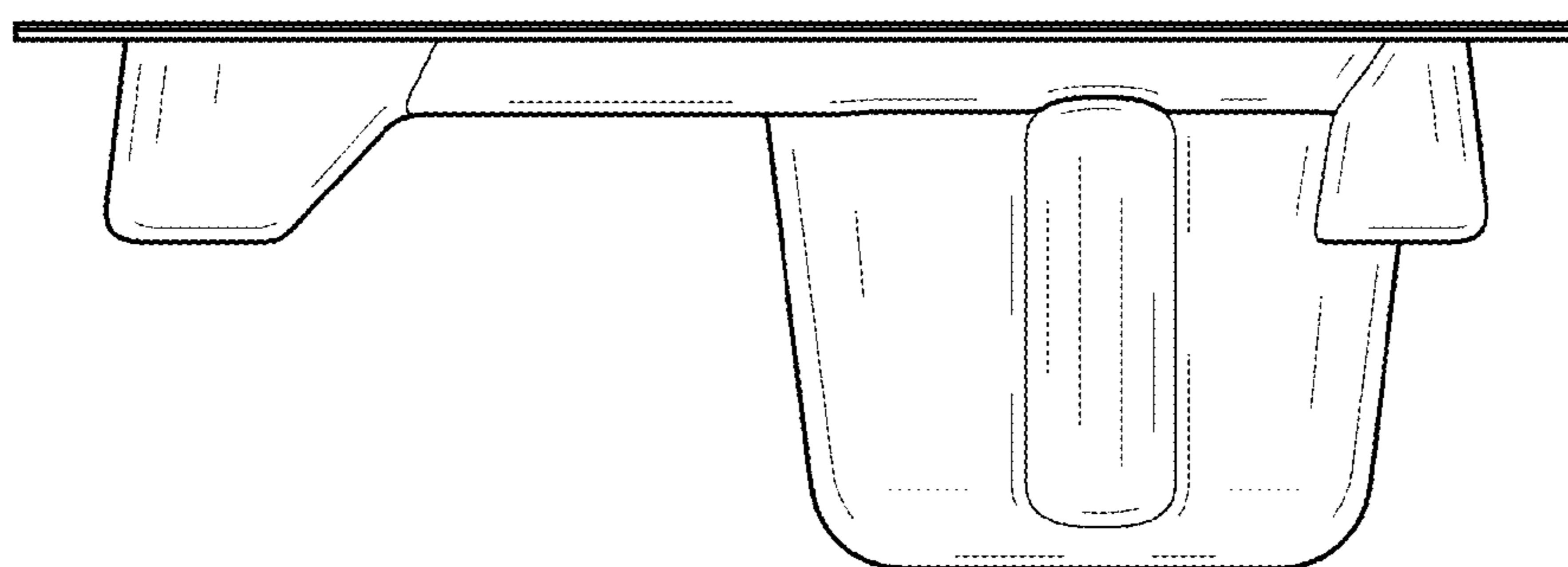


FIG. 7