



US00D708053S

(12) **United States Design Patent**
Marini

(10) **Patent No.:** **US D708,053 S**

(45) **Date of Patent:** **** Jul. 1, 2014**

(54) **SEAT CLAMP**

(75) **Inventor:** **Hector Noel Marini**, Palm City, FL
(US)

(73) **Assignee:** **PAC Seating Systems, Inc.**, Palm City,
FL (US)

(**) **Term:** **14 Years**

(21) **Appl. No.:** **29/430,558**

(22) **Filed:** **Aug. 27, 2012**

(51) **LOC (10) Cl.** **08-08**

(52) **U.S. Cl.**
USPC **D8/396**; D8/394; D24/127; D24/128

(58) **Field of Classification Search**
CPC F16L 23/10; F16L 23/08
USPC D8/396, 394, 70, 499, 356, 100, 365,
D8/53; D17/22, 99; 248/62, 230.5;
D23/262, 265; D24/128, 127; 285/365,
285/367

See application file for complete search history.

(56) **References Cited**

U.S. PATENT DOCUMENTS

D236,798 S * 9/1975 Hall D8/394
D376,974 S * 12/1996 Chen D8/396

D536,607 S * 2/2007 Bekkevold D8/396
D553,971 S * 10/2007 Krueger D8/396
D577,423 S * 9/2008 Dole D23/265
D580,262 S * 11/2008 Eason et al. D8/396
D597,635 S * 8/2009 Dole D23/262
D598,076 S * 8/2009 Dole D23/262
D681,440 S * 5/2013 Yu D8/396
D700,835 S * 3/2014 Langlois et al. D8/396
2005/0205722 A1 * 9/2005 Krueger 248/62
2013/0334815 A1 * 12/2013 Kayacik et al. 285/420

* cited by examiner

Primary Examiner — Deanna L Pratt

Assistant Examiner — Harold Blackwell, II

(74) *Attorney, Agent, or Firm* — Troutman Sanders LLP

(57) **CLAIM**

The ornamental design for a seat clamp, substantially as shown and described.

DESCRIPTION

FIG. 1 is a front, top, left perspective view of the seat clamp of the new design;

FIG. 2 is a front elevational view thereof;

FIG. 3 is a top plan view thereof;

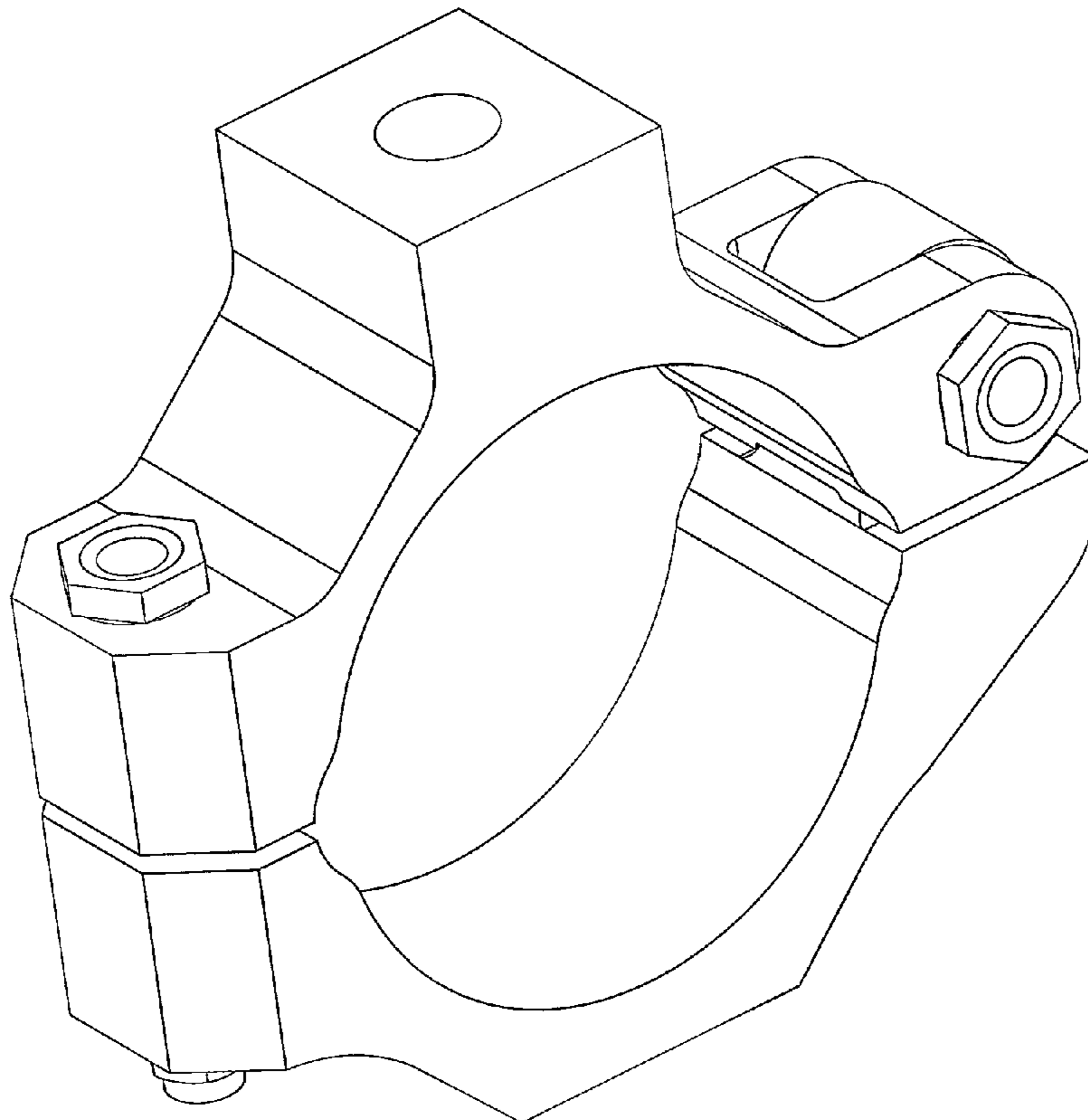
FIG. 4 is a left side view thereof;

FIG. 5 is a right side view thereof;

FIG. 6 is a bottom plan view thereof; and,

FIG. 7 is a back elevational view thereof.

1 Claim, 7 Drawing Sheets



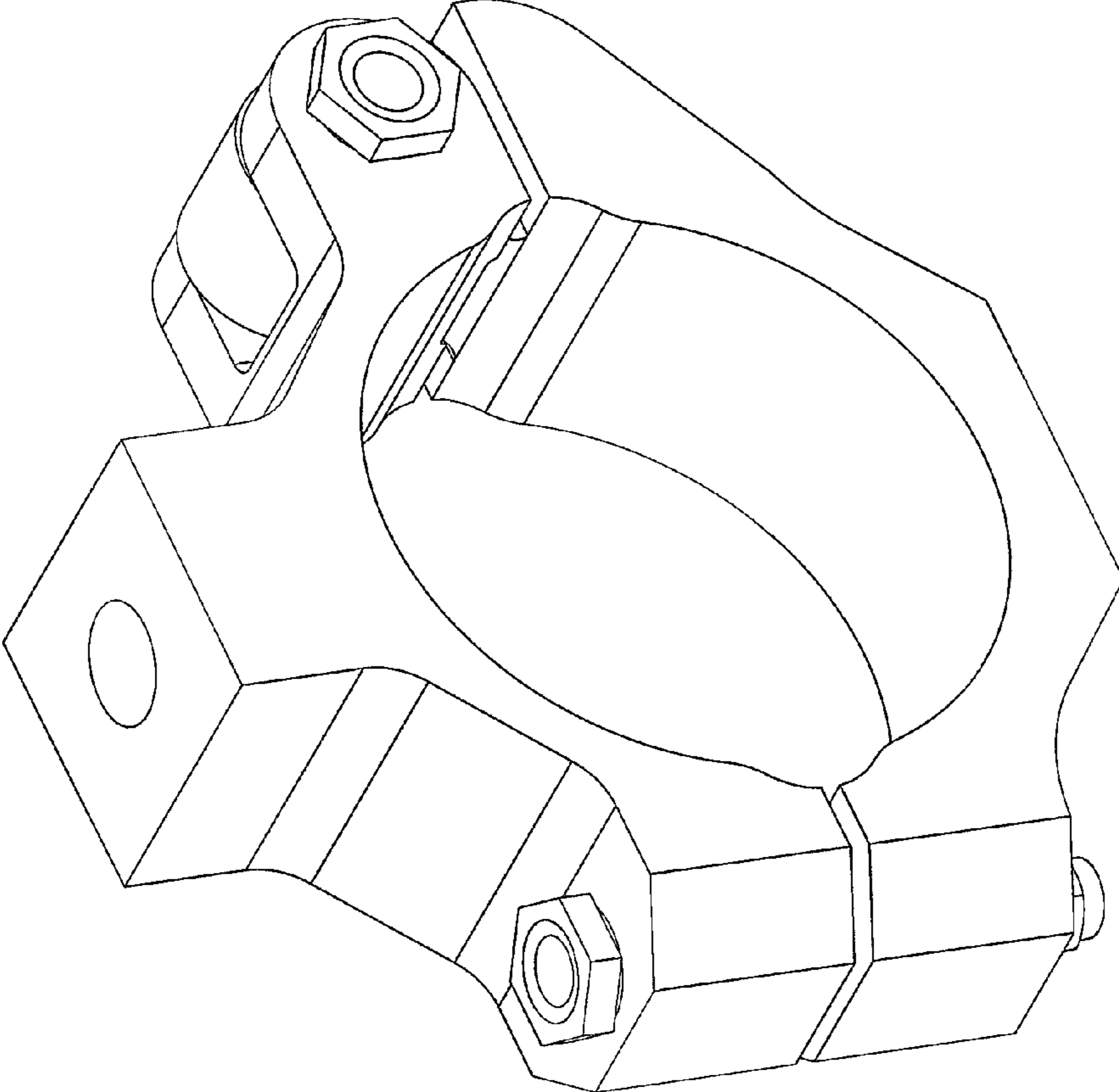


Figure 1

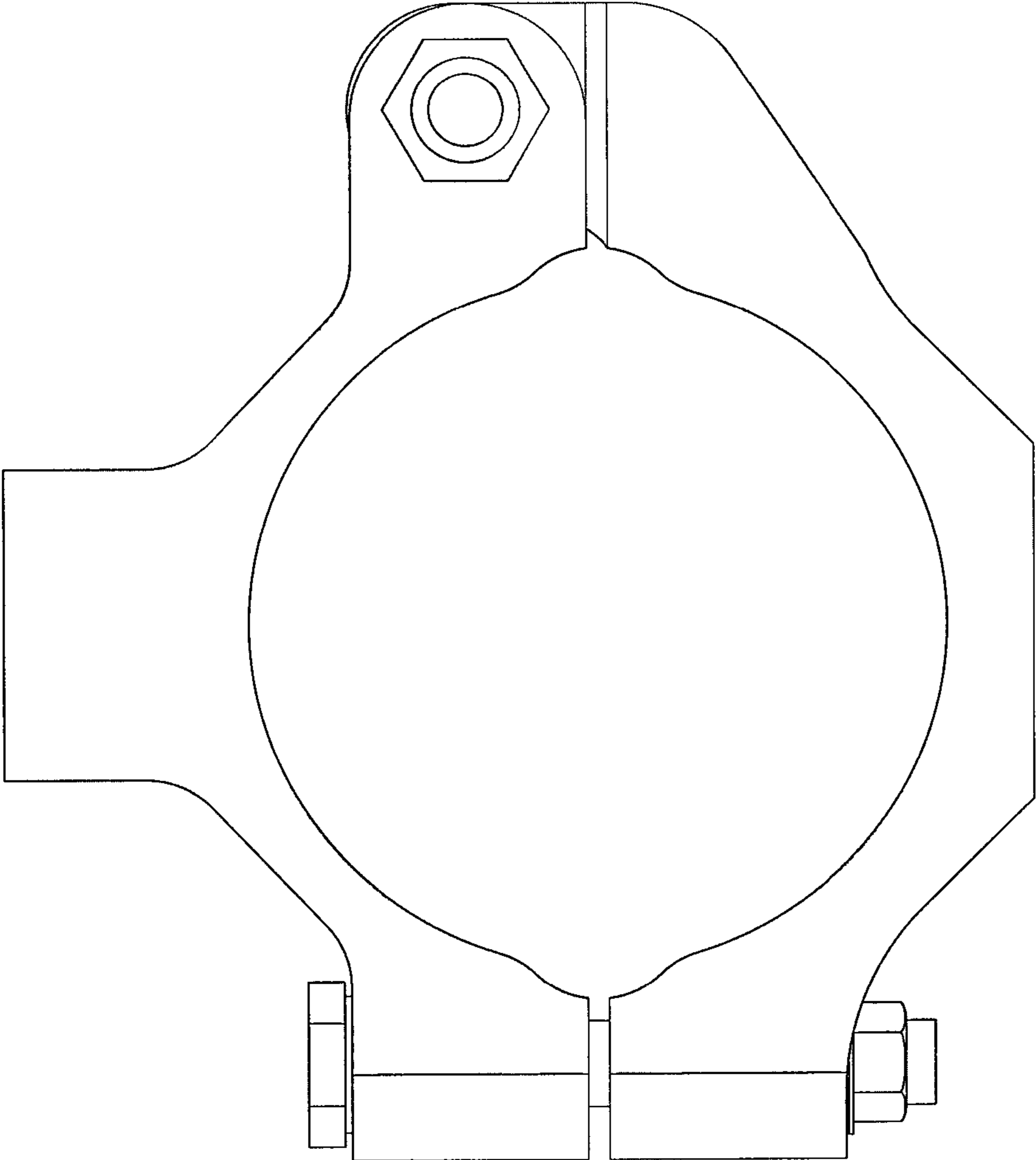


Figure 2

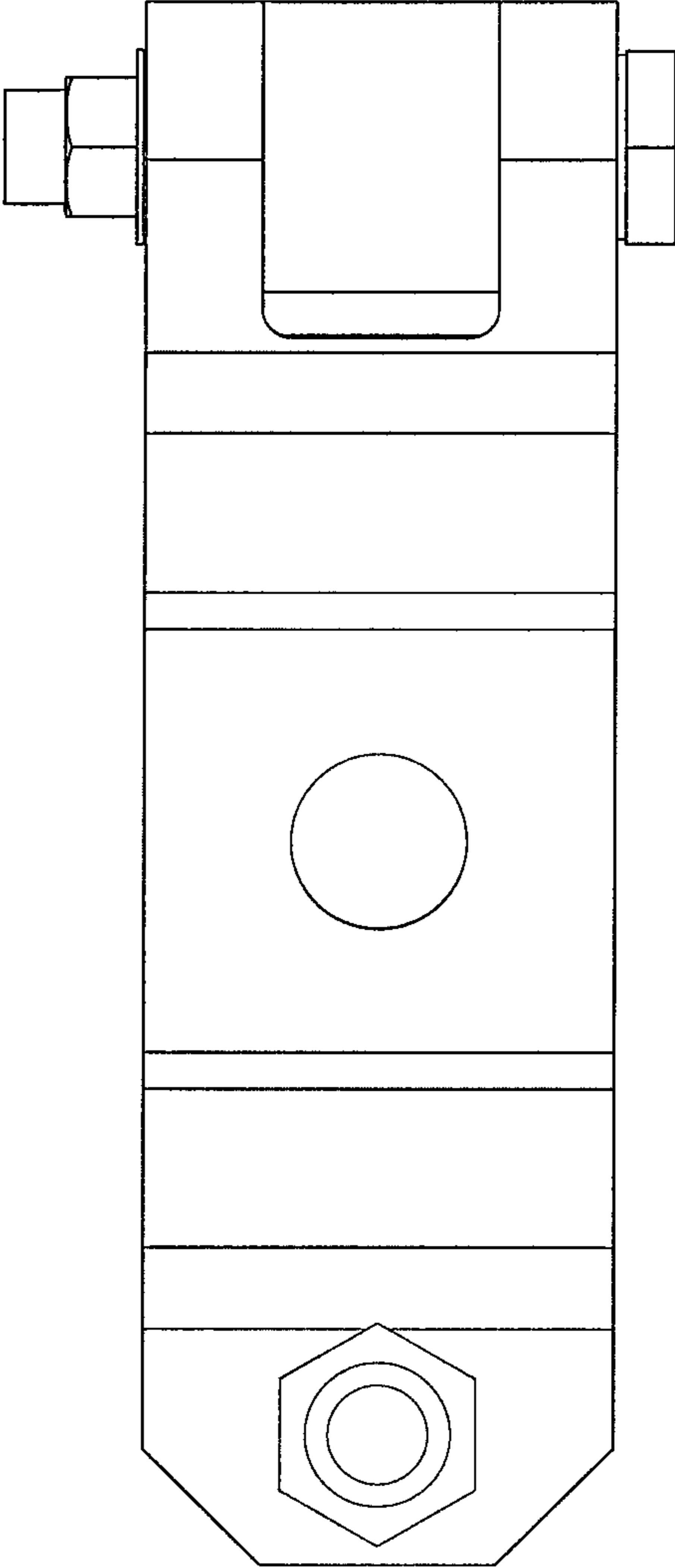


Figure 3

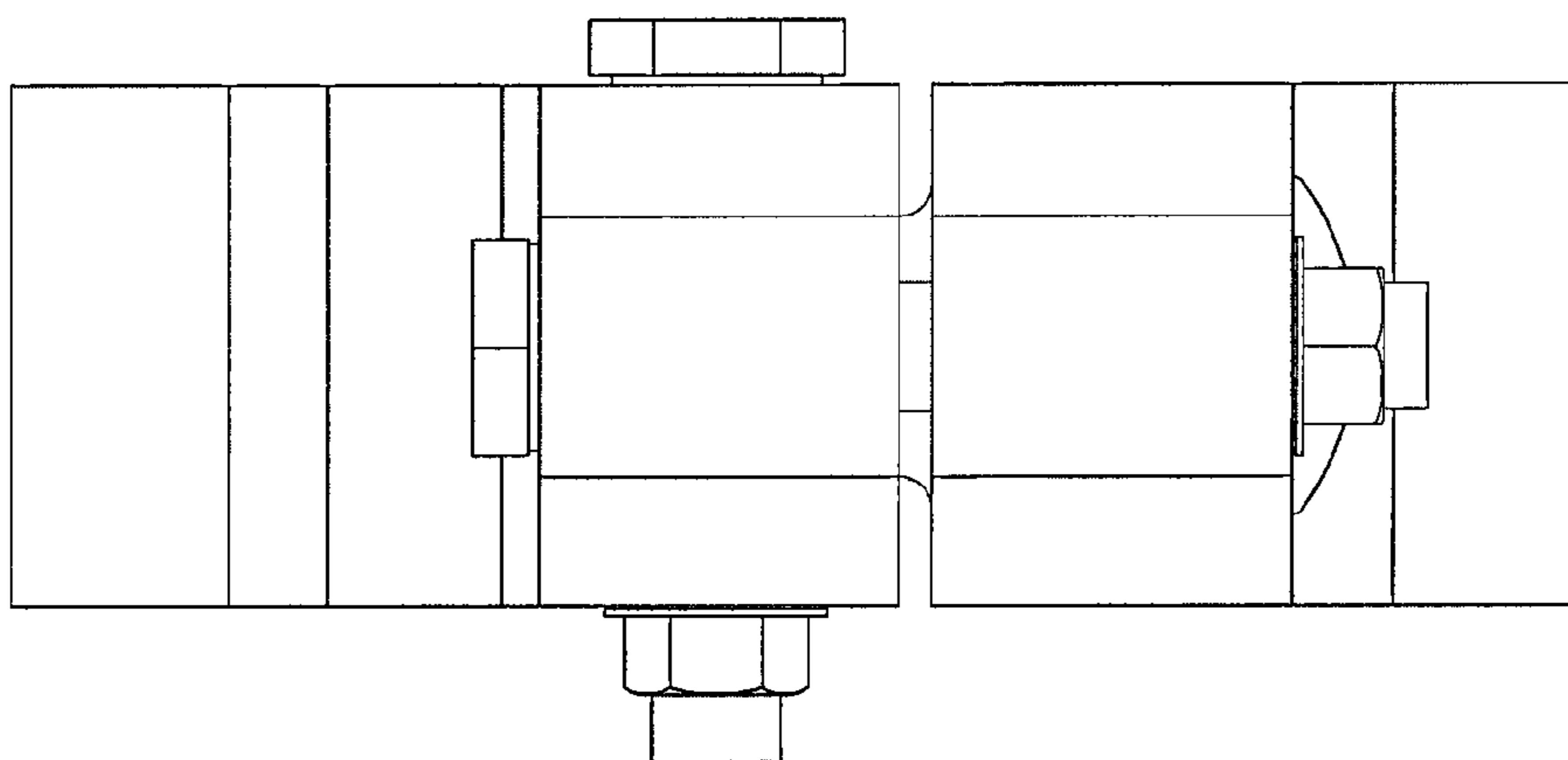


Figure 4

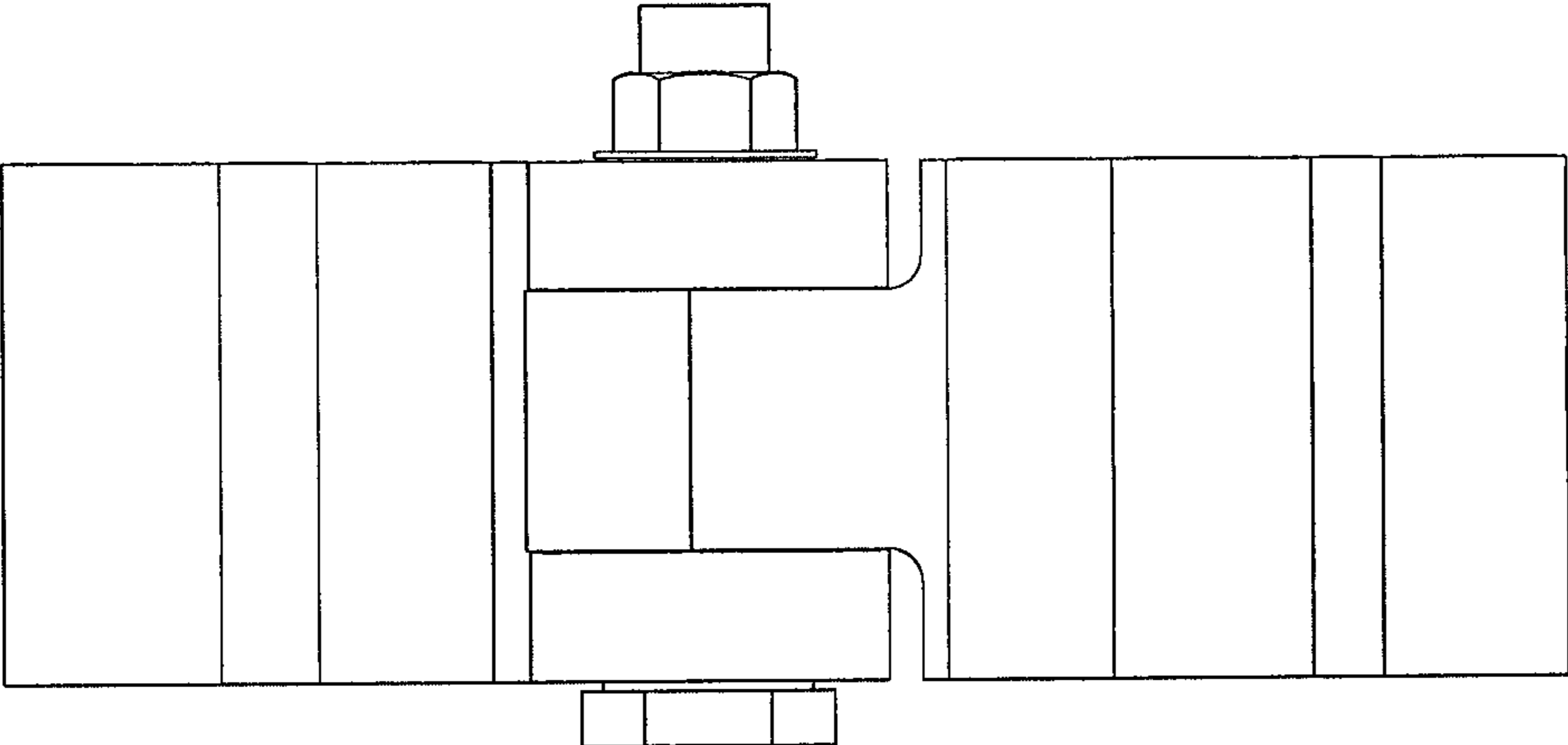


Figure 5

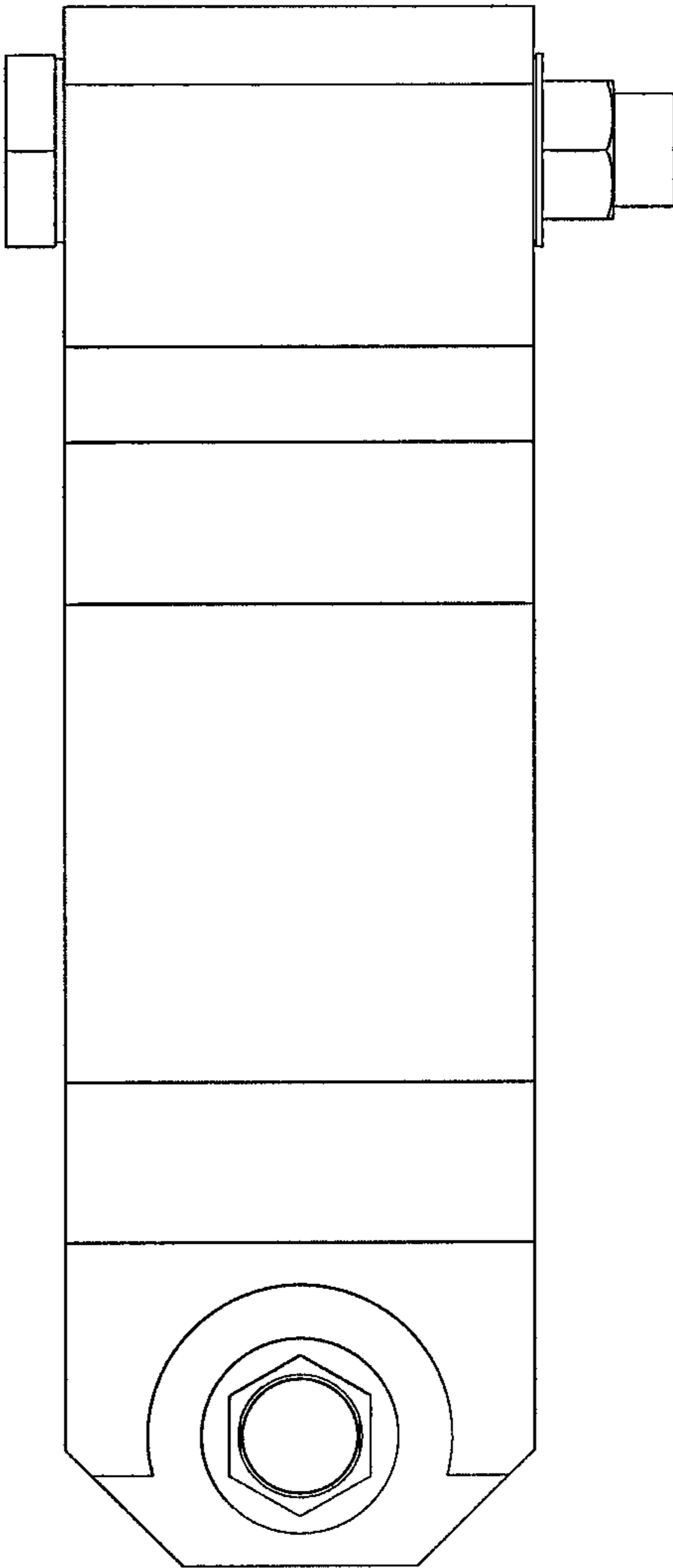


Figure 6

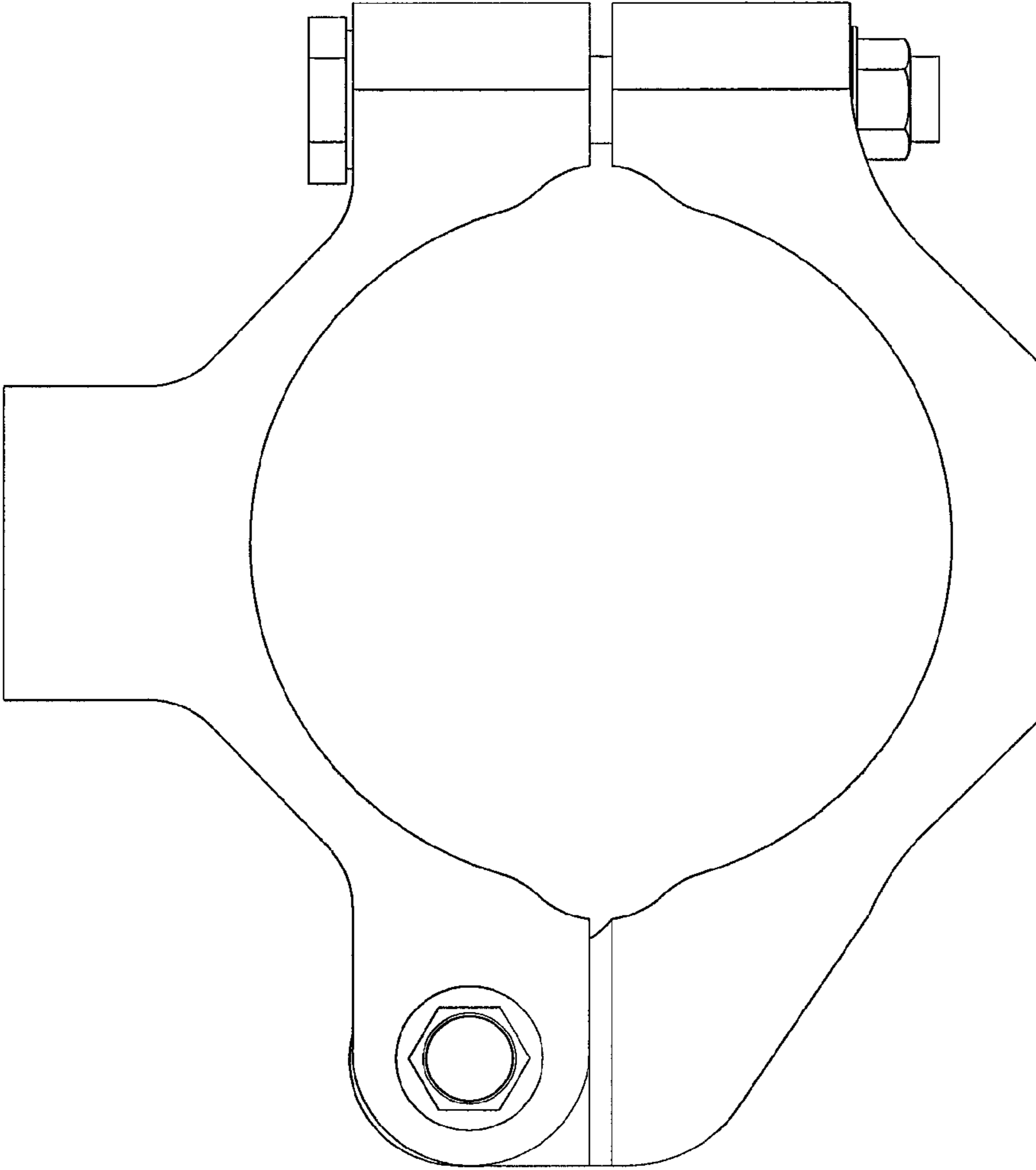


Figure 7