



US00D708052S

(12) **United States Design Patent**  
**Symons**

(10) **Patent No.:** **US D708,052 S**  
(45) **Date of Patent:** **\*\* Jul. 1, 2014**

- (54) **CABLE MANAGEMENT END CLIP**
- (71) Applicant: **Bluelounge Pte. Ltd.**, Wilkie Edge (SG)
- (72) Inventor: **Dominic Symons**, Wilkie Edge (SG)
- (73) Assignee: **Bluelounge Pte. Ltd.**, Wilkie Edge (SG)
- (\*\*) Term: **14 Years**

D349,038 S 7/1994 Sachs  
 5,656,797 A \* 8/1997 Lin ..... 174/91  
 D387,652 S 12/1997 Carlson  
 5,696,351 A \* 12/1997 Benn et al. .... 174/92  
 D389,732 S 1/1998 Weishaar  
 D424,924 S \* 5/2000 Ackerman ..... D8/396  
 D427,897 S 7/2000 Johnston

(Continued)

- (21) Appl. No.: **29/478,574**
- (22) Filed: **Jan. 7, 2014**
- (51) **LOC (10) Cl.** ..... **08-08**
- (52) **U.S. Cl.**  
USPC ..... **D8/394**; D8/396
- (58) **Field of Classification Search**  
USPC ..... D8/354, 356, 371, 394-396; D19/65,  
D19/86; D24/128; 248/74.2, 215, 227.1, 49,  
248/300, 301, 316.7, 51, 489; 24/570, 3.12;  
D32/61; D11/78.1  
See application file for complete search history.

FOREIGN PATENT DOCUMENTS

EP 1816099 8/2007

OTHER PUBLICATIONS

Amazon.com, Jan. 6, 2014, Internet printout: <http://www.amazon.com/Amico-Adhesive-Backed-Adjustable-Clamps/dp/B005MN2QHK>.

(Continued)

*Primary Examiner* — John Windmuller  
(74) *Attorney, Agent, or Firm* — Todd R. Miller

(56) **References Cited**

U.S. PATENT DOCUMENTS

964,969 A \* 7/1910 Hesterhagen ..... 174/59  
 2,475,184 A \* 7/1949 Hudson ..... 174/92  
 2,963,679 A \* 12/1960 Jugle ..... 439/781  
 3,319,650 A 5/1967 Peterson  
 D212,505 S 10/1968 Guerrero  
 4,029,896 A \* 6/1977 Skinner ..... 174/138 F  
 4,049,357 A \* 9/1977 Hamisch, Jr. .... 403/209  
 D247,345 S \* 2/1978 Mulholland ..... D8/383  
 D270,329 S 8/1983 Hardy  
 4,533,205 A \* 8/1985 Frank ..... 439/783  
 D289,852 S \* 5/1987 Tuvevsson ..... D8/373  
 D302,655 S 8/1989 Sachs  
 D309,255 S \* 7/1990 Karow, Jr. .... D8/395  
 D321,171 S \* 10/1991 Nakano ..... D13/199  
 D329,588 S 9/1992 Michel  
 5,245,730 A \* 9/1993 Martin ..... 24/132 R  
 D342,013 S 12/1993 Sachs

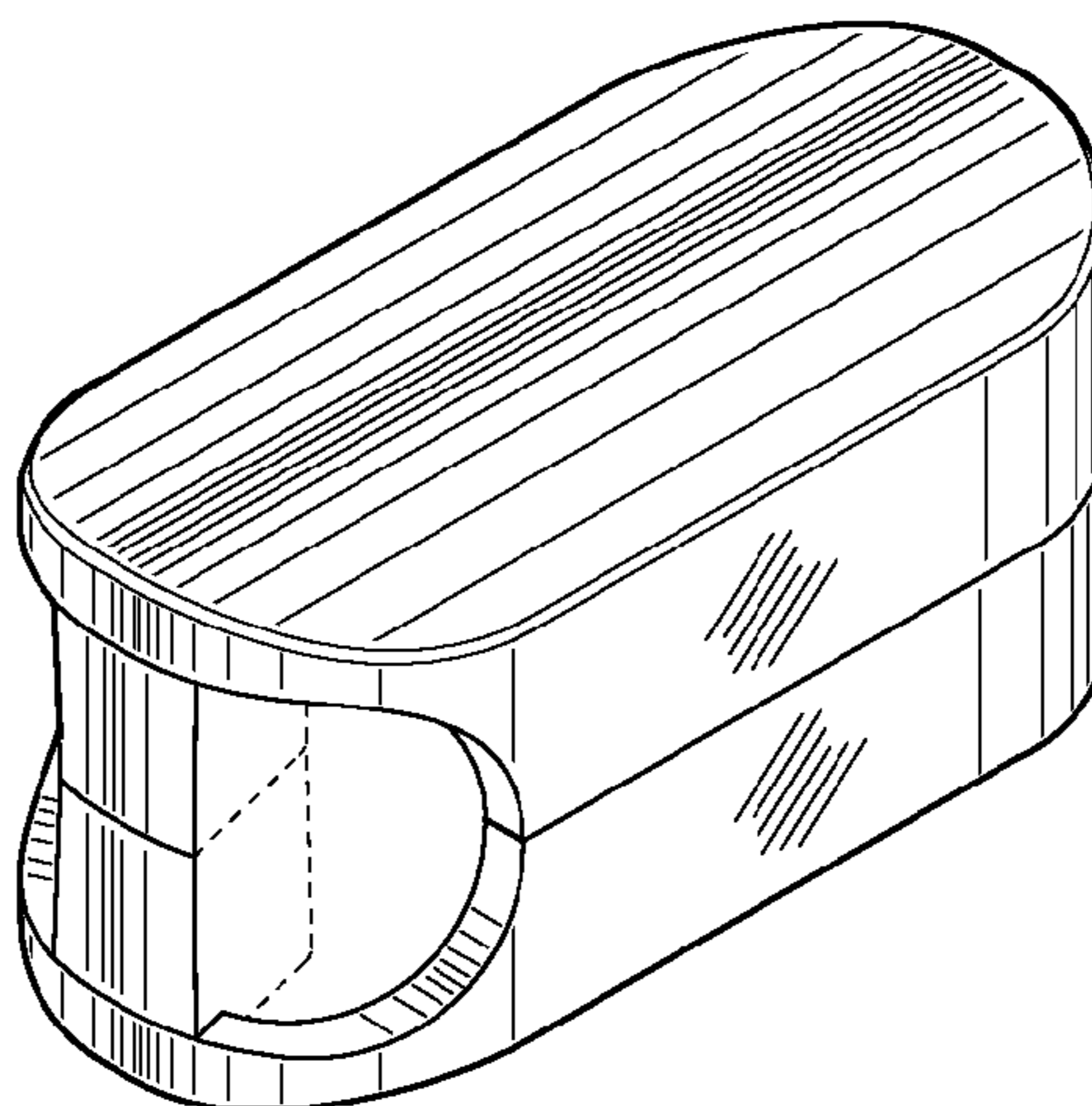
(57) **CLAIM**

The ornamental design for a cable management end clip, as shown and described.

**DESCRIPTION**

FIG. 1 is a perspective view of a cable management end clip showing my new design;  
 FIG. 2 is an exploded side view thereof, illustrating the design has two separate parts;  
 FIG. 3 is a front view thereof;  
 FIG. 4 is a top view thereof; and,  
 FIG. 5 is a perspective view thereof in use with a cable tube and cables.  
 The broken lines in FIGS. 1-3 depict portions of the clip that form no part of the claimed design. The broken lines in FIG. 5 depict environment that forms no part of the claimed design.

**1 Claim, 5 Drawing Sheets**



(56)

References Cited

U.S. PATENT DOCUMENTS

D430,850 S \* 9/2000 Alves et al. .... D13/152  
 D459,194 S 6/2002 Johansson  
 D464,325 S \* 10/2002 Peters et al. .... D13/156  
 D466,433 S \* 12/2002 Goto ..... D11/87  
 6,497,258 B1 12/2002 Flannery  
 D468,699 S 1/2003 Bjorklund  
 D482,269 S 11/2003 Martello  
 D494,450 S \* 8/2004 Schultz et al. .... D8/356  
 6,948,969 B2 \* 9/2005 Huang ..... 439/457  
 D515,409 S 2/2006 Sorrentino  
 D534,065 S \* 12/2006 Andre et al. .... D8/395  
 7,244,145 B2 7/2007 Johnsen  
 D569,349 S \* 5/2008 Preston ..... D13/156  
 D575,143 S 8/2008 Kuo  
 D577,990 S \* 10/2008 Andre et al. .... D8/395  
 7,461,610 B1 \* 12/2008 Czepizak et al. .... 114/218  
 D597,824 S \* 8/2009 Wang ..... D8/356  
 D606,832 S \* 12/2009 Wan et al. .... D8/72  
 7,717,738 B2 5/2010 Mabry  
 D620,346 S \* 7/2010 Gretz ..... D8/396  
 D620,786 S \* 8/2010 Gretz ..... D8/396  
 D625,985 S 10/2010 Mori  
 D629,803 S \* 12/2010 St. Ives ..... D14/396

D632,030 S \* 2/2011 Lumsden ..... D30/141  
 D648,685 S \* 11/2011 Symons ..... D13/155  
 D667,796 S \* 9/2012 Boussekey ..... D13/156  
 D675,505 S 2/2013 Rothbaum  
 D675,903 S 2/2013 Rothbaum  
 8,398,424 B1 3/2013 Vasavda  
 D679,581 S 4/2013 Liu  
 8,602,370 B2 \* 12/2013 McKenzie ..... 248/215  
 D698,229 S \* 1/2014 Chance et al. .... D8/360.1  
 2013/0097816 A1 4/2013 Rothbaum  
 2013/0305495 A1 11/2013 Umemoto

OTHER PUBLICATIONS

Customaccents.com, Jan. 6, 2014, Internet printout: <http://www.customaccents.com/index.php/products/wire-management/round-leg/>.  
 Leinuoer.com, Jan. 6, 2014, Internet printout: <http://www.leinuoer.com/en/LNE-Y.asp>.  
 Summit.com, Jan. 6, 2014, Internet printout: <https://www.summit.com/blog/new-wire-management-solutions-from-ilsco>.  
 Te.com, Jan. 6, 2014, Internet printout: <http://www.te.com/ns/enterprise/anz/cat/detail.asp?strProductNumber=6450%202%20016-00&strSol=Cable%20Management%20Solutions>.

\* cited by examiner

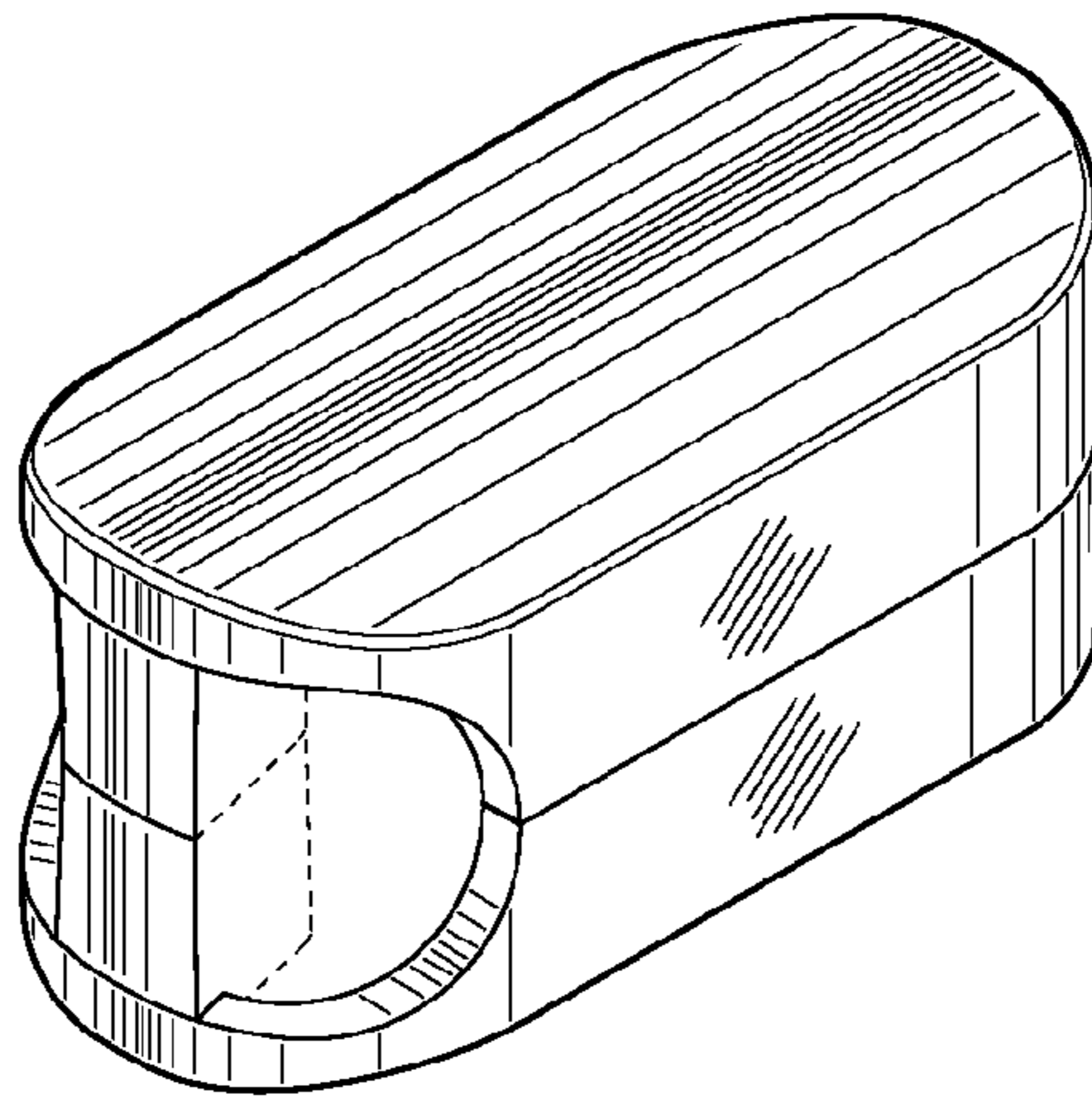


FIG. 1

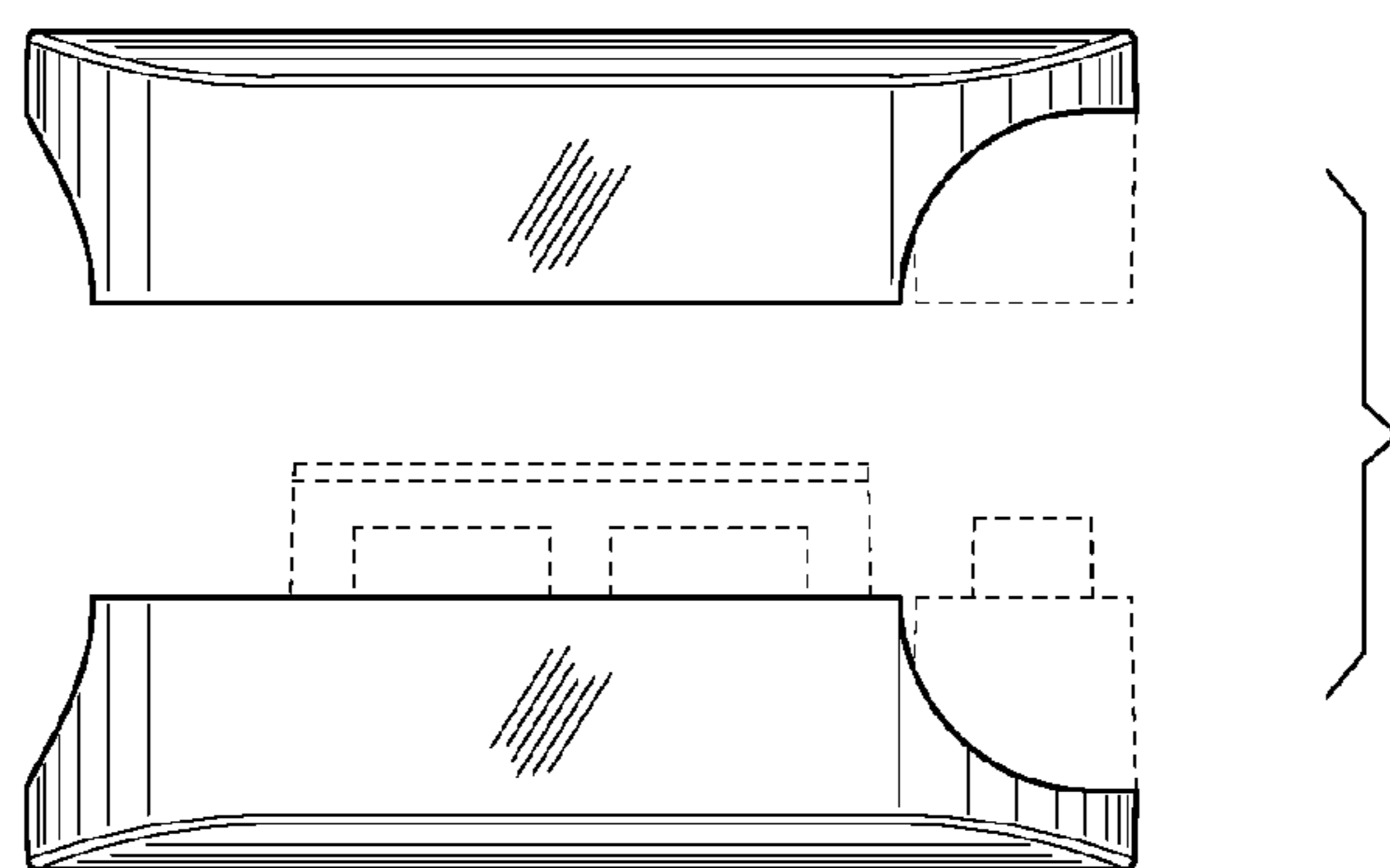


FIG. 2

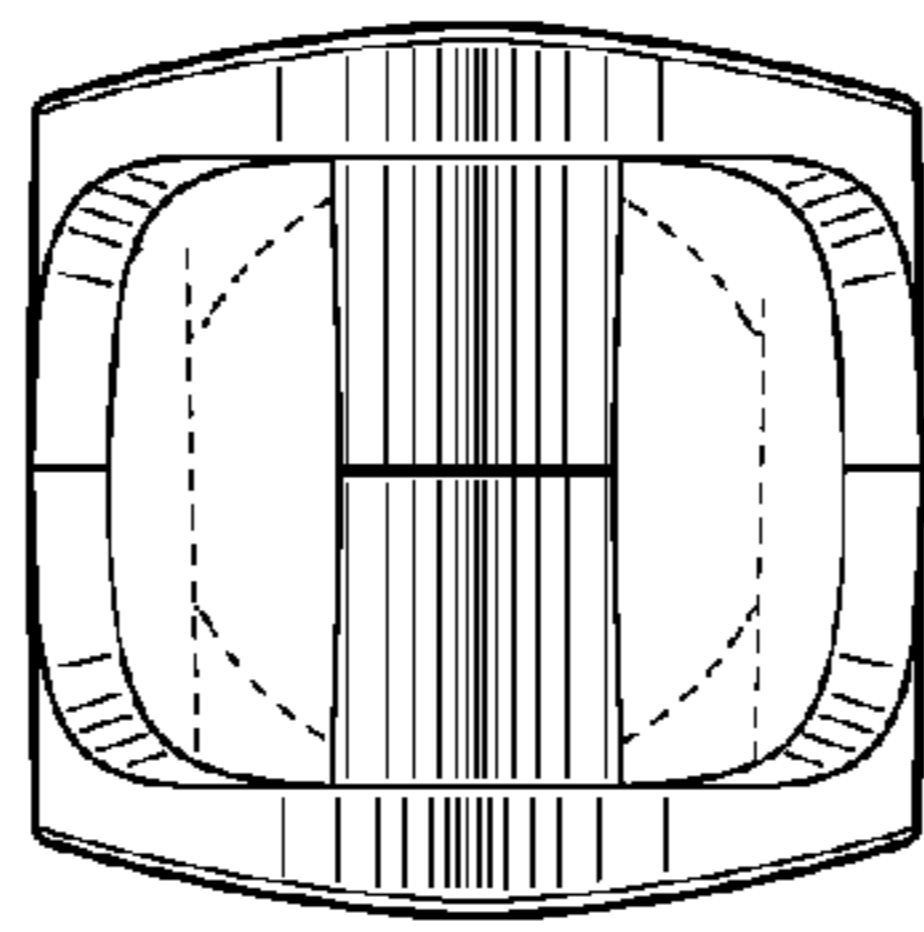


FIG. 3

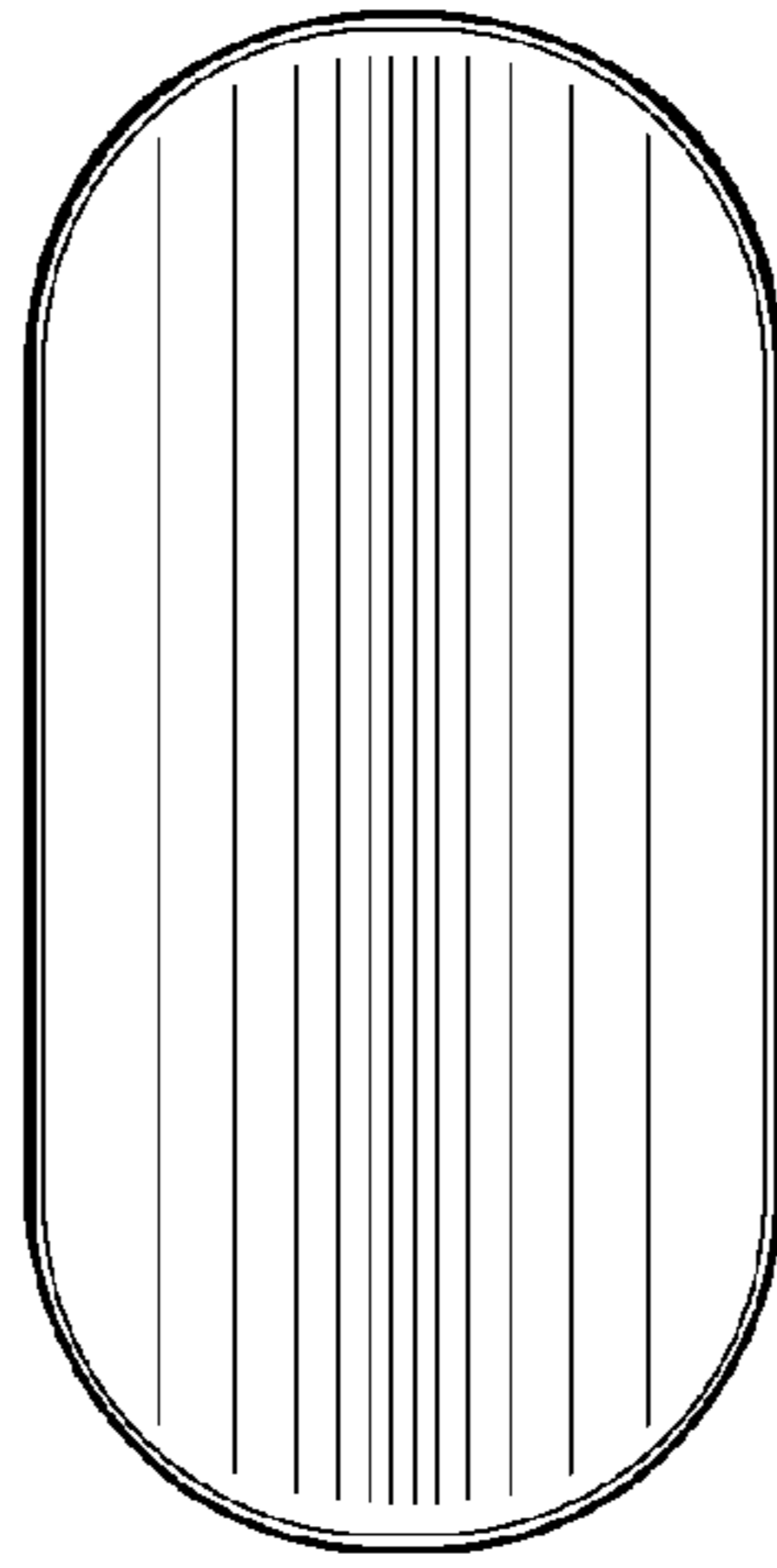


FIG. 4

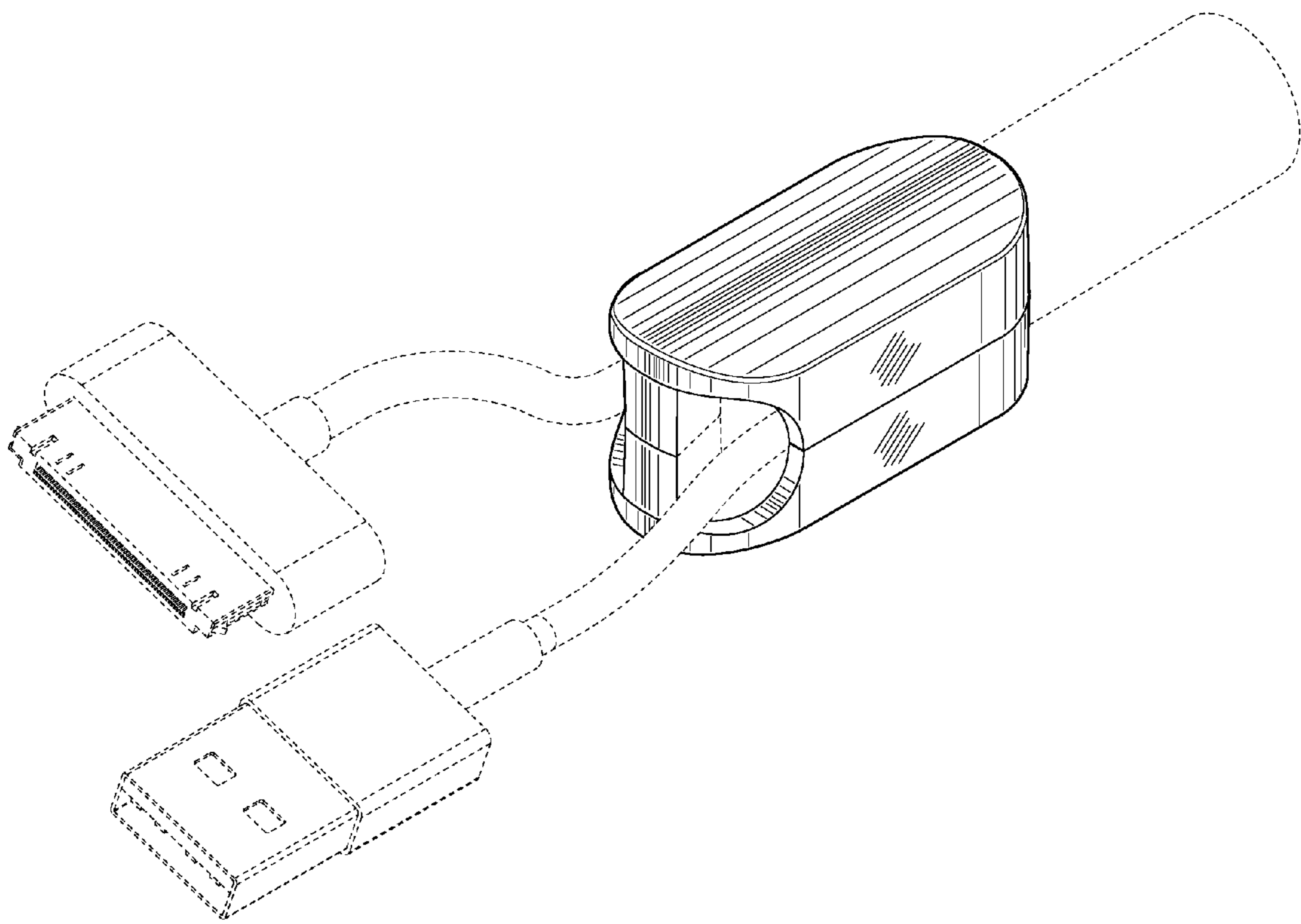


FIG. 5