



US00D708051S

(12) **United States Design Patent**
Wojtowicz et al.

(10) **Patent No.:** **US D708,051 S**
(45) **Date of Patent:** **** Jul. 1, 2014**

(54) **INNER POST COUPLER**

(71) Applicant: **Edsal Manufacturing Co., Inc.**,
Chicago, IL (US)

(72) Inventors: **David J. Wojtowicz**, Orland Park, IL
(US); **Thomas St. Germain**,
Bridgeview, IL (US); **Mitch Liss**,
Northbrook, IL (US); **Al Dunaj**,
Chicago, IL (US)

(73) Assignee: **Edsal Manufacturing Company, Inc.**,
Chicago, IL (US)

(**) Term: **14 Years**

(21) Appl. No.: **29/469,944**

(22) Filed: **Oct. 16, 2013**

Related U.S. Application Data

(62) Division of application No. 29/397,491, filed on Jul.
16, 2011, now Pat. No. Des. 693,668.

(51) **LOC (10) Cl.** **08-08**

(52) **U.S. Cl.**
USPC **D8/394**

(58) **Field of Classification Search**

USPC D8/354, 356, 371, 394-396; D19/65,
D19/86; D24/128; 248/74.2, 215, 227.1, 49,
248/300, 301, 316.7, 51, 489, 218.4;
24/570, 3.12; D32/61; D11/78.1;
403/293; 211/134; 256/65.03; D6/511
See application file for complete search history.

(56) **References Cited**

U.S. PATENT DOCUMENTS

1,345,954	A *	7/1920	Ramm	40/489
3,221,894	A *	12/1965	Knuth	211/134
D572,054	S *	7/2008	Liss et al.	D6/509
D597,354	S *	8/2009	Liss	D6/511
D653,528	S *	2/2012	Choi et al.	D8/381
8,210,504	B1 *	7/2012	Skornickel	256/65.01
2001/0025458	A1 *	10/2001	James et al.	52/90.2
2006/0195980	A1 *	9/2006	Nagley	4/595

2010/0084354	A1 *	4/2010	Eustace	211/134
2010/0139188	A1 *	6/2010	Callentine et al.	52/213
2010/0140428	A1 *	6/2010	Vassallo	248/220.21
2010/0155352	A1 *	6/2010	Hsieh	211/134
2011/0204307	A1 *	8/2011	Bowman	256/24
2011/0240580	A1 *	10/2011	Yu et al.	211/183
2011/0278250	A1 *	11/2011	Malekmadani	211/134
2012/0025038	A1 *	2/2012	Seelman et al.	248/125.7
2012/0080655	A1 *	4/2012	Coffin	256/19
2012/0138758	A1 *	6/2012	Graber	248/221.11

Primary Examiner — John Windmuller

(74) *Attorney, Agent, or Firm* — Wood, Herron & Evans,
LLP

(57) **CLAIM**

The ornamental design for an inner post coupler, as shown
and described.

DESCRIPTION

This application is related to the following applications filed
on even date herewith and including:

U.S. application Ser. No. 29/397,490 entitled “Design for
Post Coupler With Scalloped Edges”, now U.S. Pat. No. Des.
690,189;

U.S. application Ser. No. 13/184,506 entitled “Outside Wrap
Post Coupler Accommodating Beam Rivet”,

U.S. application Ser. No. 13/184,509 entitled “Outside Wrap
Post Coupler With Assembly Assist”,

U.S. application Ser. No. 29/397,485 entitled “Design for
Post Coupler With Scalloped Edges and Inside Wrap”,

U.S. application Ser. No. 13/184,507 entitled “Inside Wrap
Post Coupler Accommodating Beam Rivet”, and U.S. appli-
cation Ser. No. 13/184,511 entitled “Inside Wrap Post Cou-
pler With Assembly Assist”.

FIG. 1 is an isometric view of a first embodiment of the
invention with the environment in which it is used being
shown in dashed lines and forming no part of the invention;

FIG. 2 is a further isometric view of the invention;

FIG. 3 is a front elevational view of the invention of FIGS. 1
and 2;

FIG. 4 is a right side elevational view of the invention of
FIGS. 1 and 2;

FIG. 5 is a top plan view of the invention of FIGS. 1 and 2;

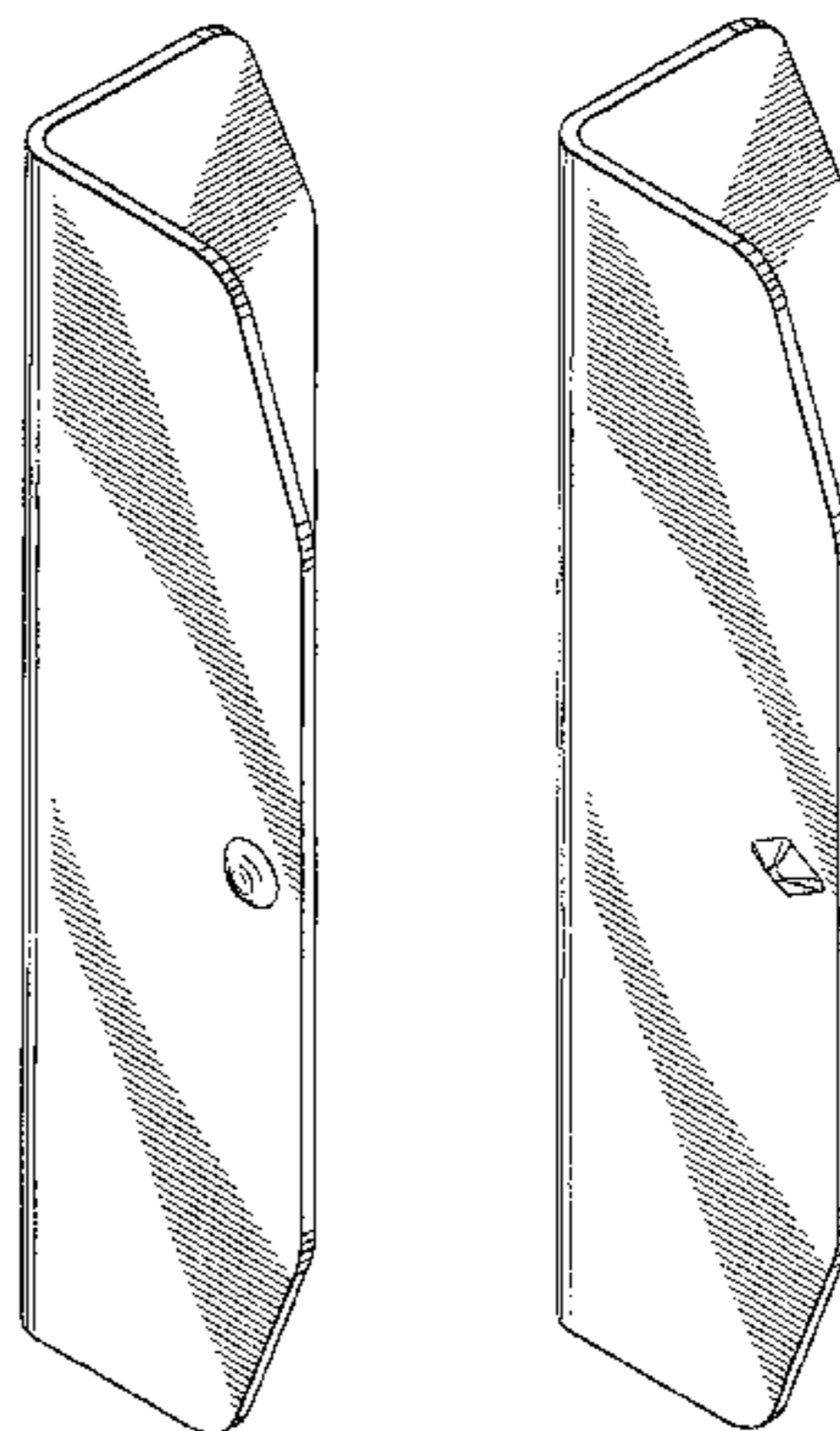


FIG. 6 is a cross-sectional view taken along lines 6-6 of FIG. 4;

A rear view is a mirror image of FIG. 4;

A left view is a mirror image of FIG. 3;

A bottom view is a mirror image of FIG. 5;

FIG. 7 is an isometric view of a second embodiment of the invention with the environment in which it is used being shown in dashed lines forming no part of the invention;

FIG. 8 is an isometric view of the invention of FIG. 7;

FIG. 9 is a front elevational view of the invention of FIGS. 7 and 8;

FIG. 10 is a right side elevational view of the invention of FIGS. 7 and 8;

FIG. 11 is a top plan view of the invention of FIGS. 7 and 8; and,

FIG. 12 is a cross-sectional view taken along lines 12-12 of FIG. 10.

A rear view is a mirror image of FIG. 10;

A left view is a mirror image of FIG. 9;

A bottom view is a mirror image of FIG. 11;

Any elements shown in dashed lines form no part of the invention claimed in this application, and are instead included to show environmental aspects thereof only.

1 Claim, 6 Drawing Sheets

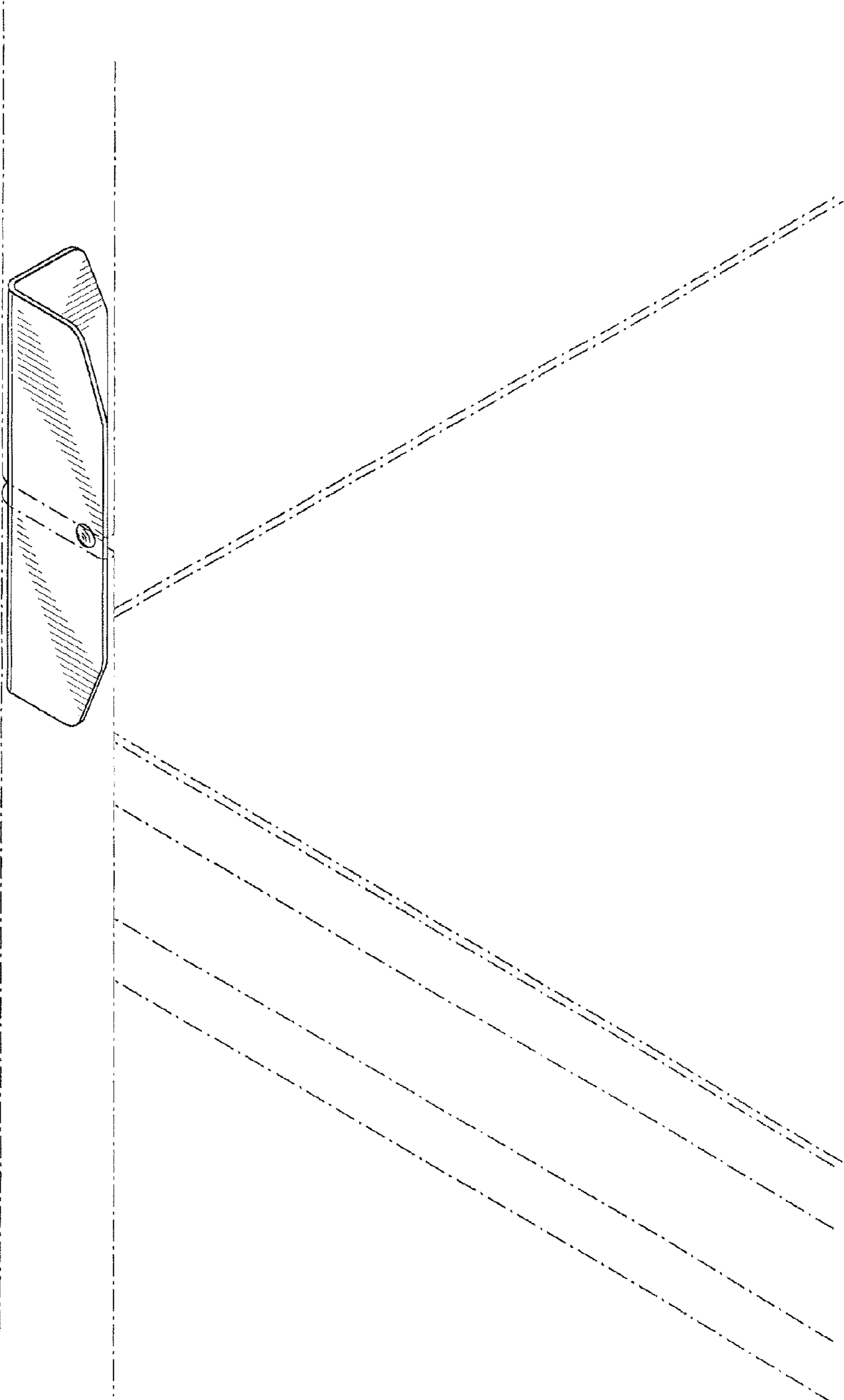


FIG. 1

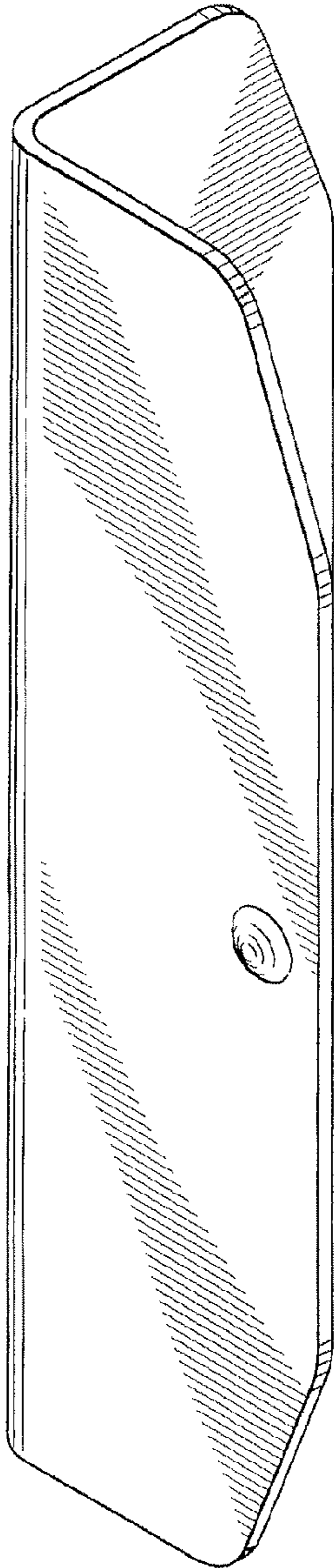


FIG. 2

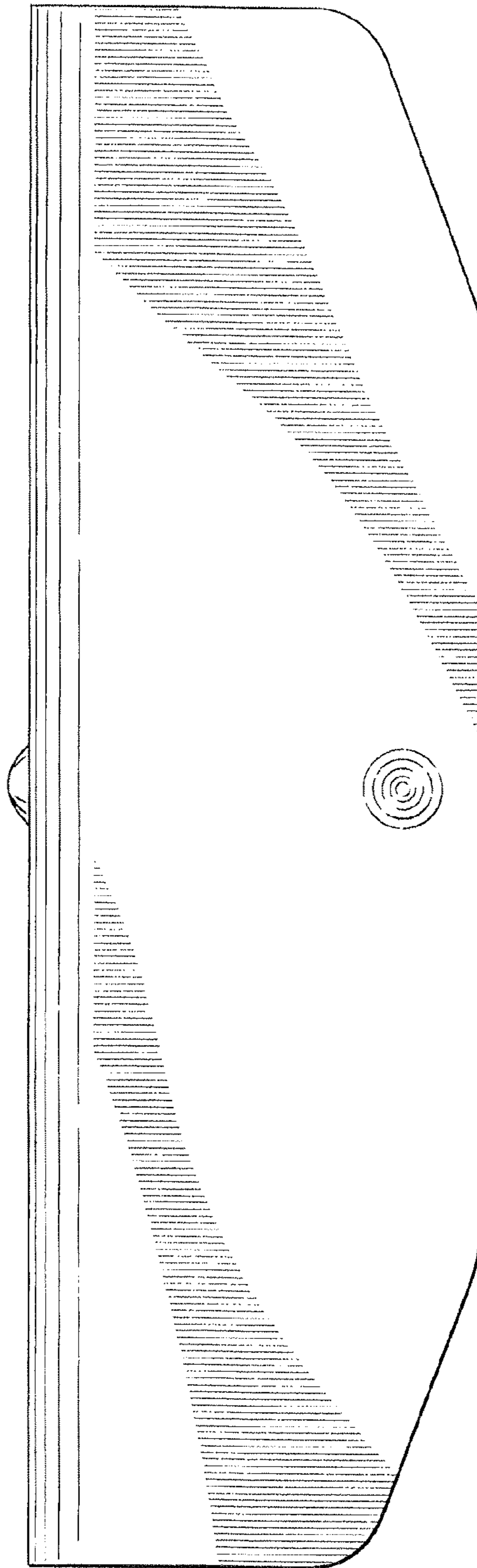


FIG. 3

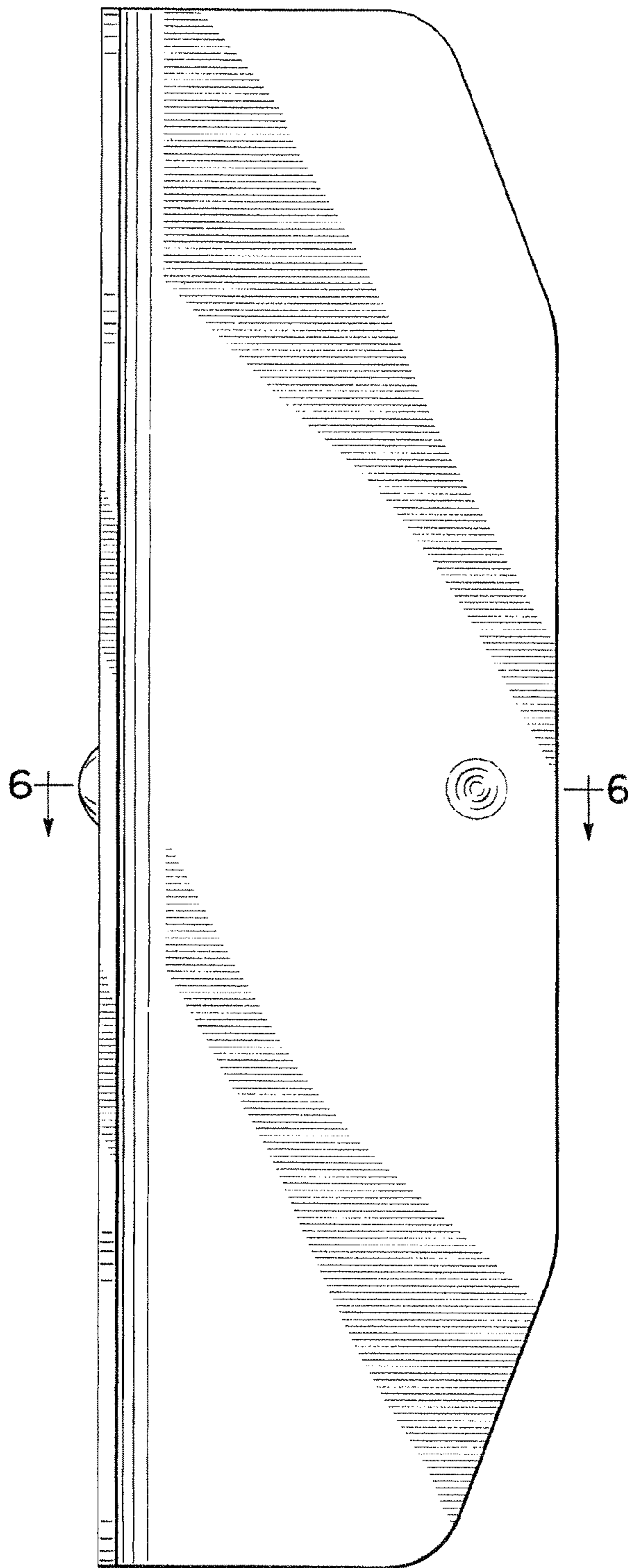


FIG. 4

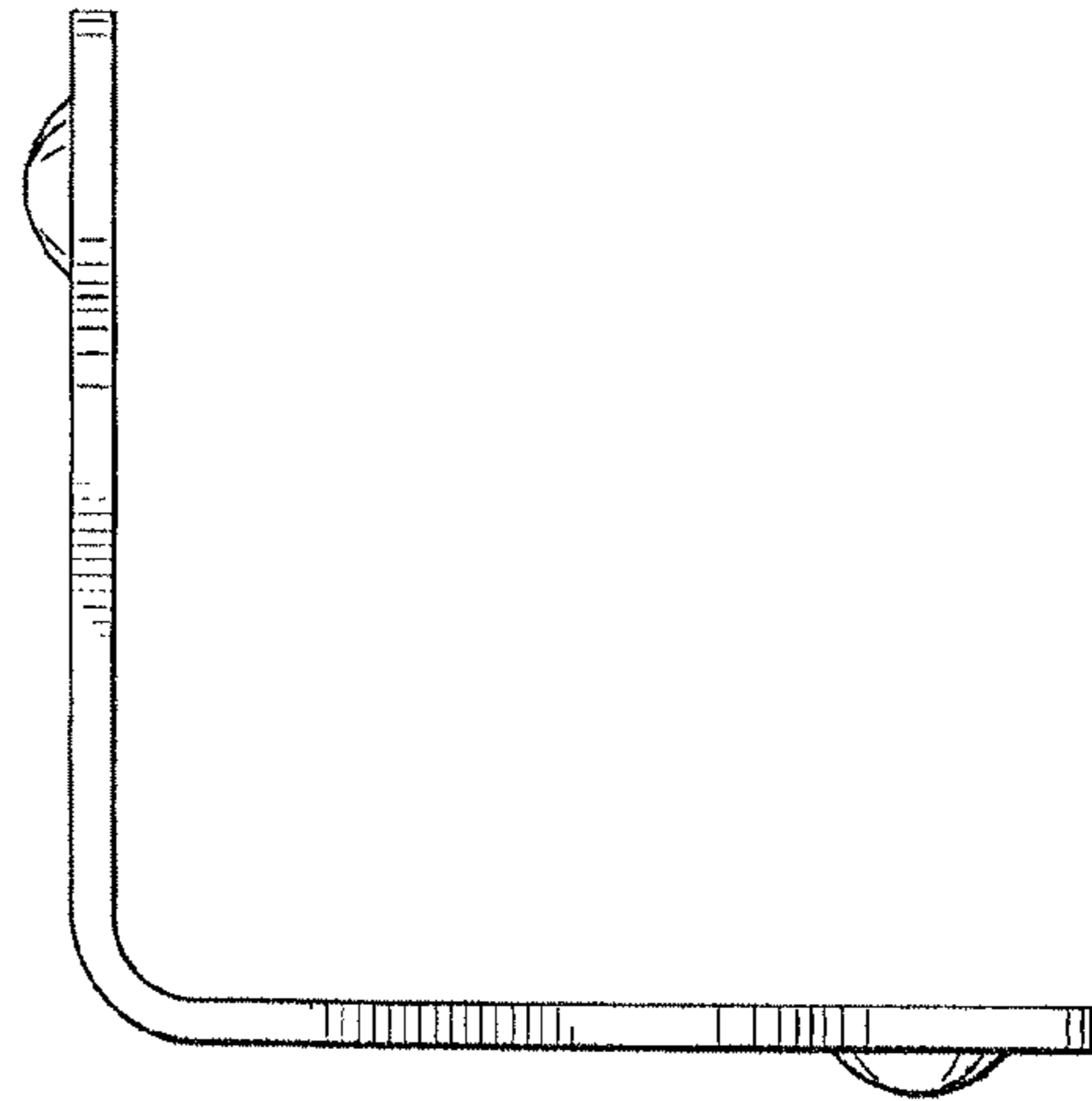


FIG. 5

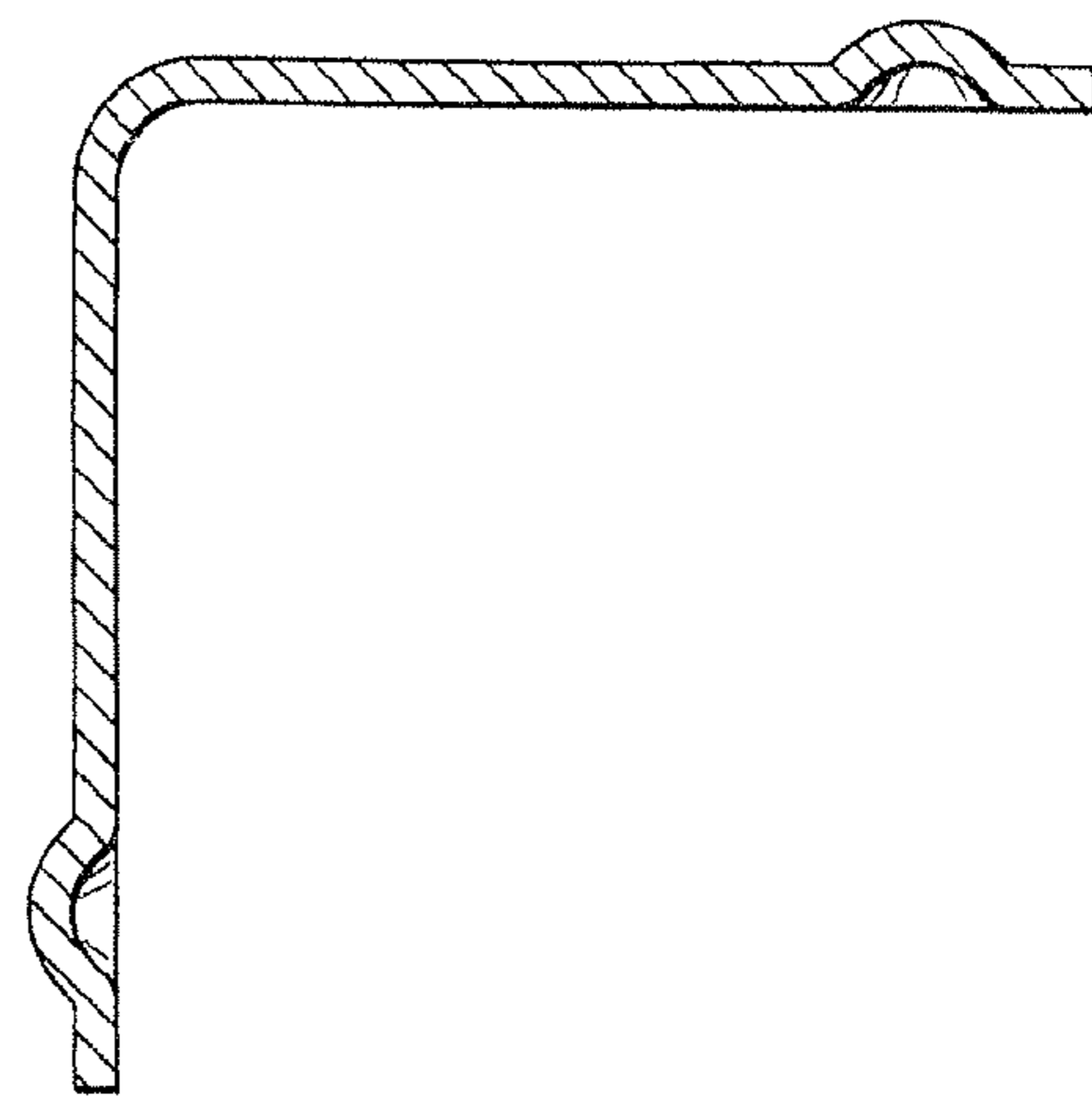


FIG. 6

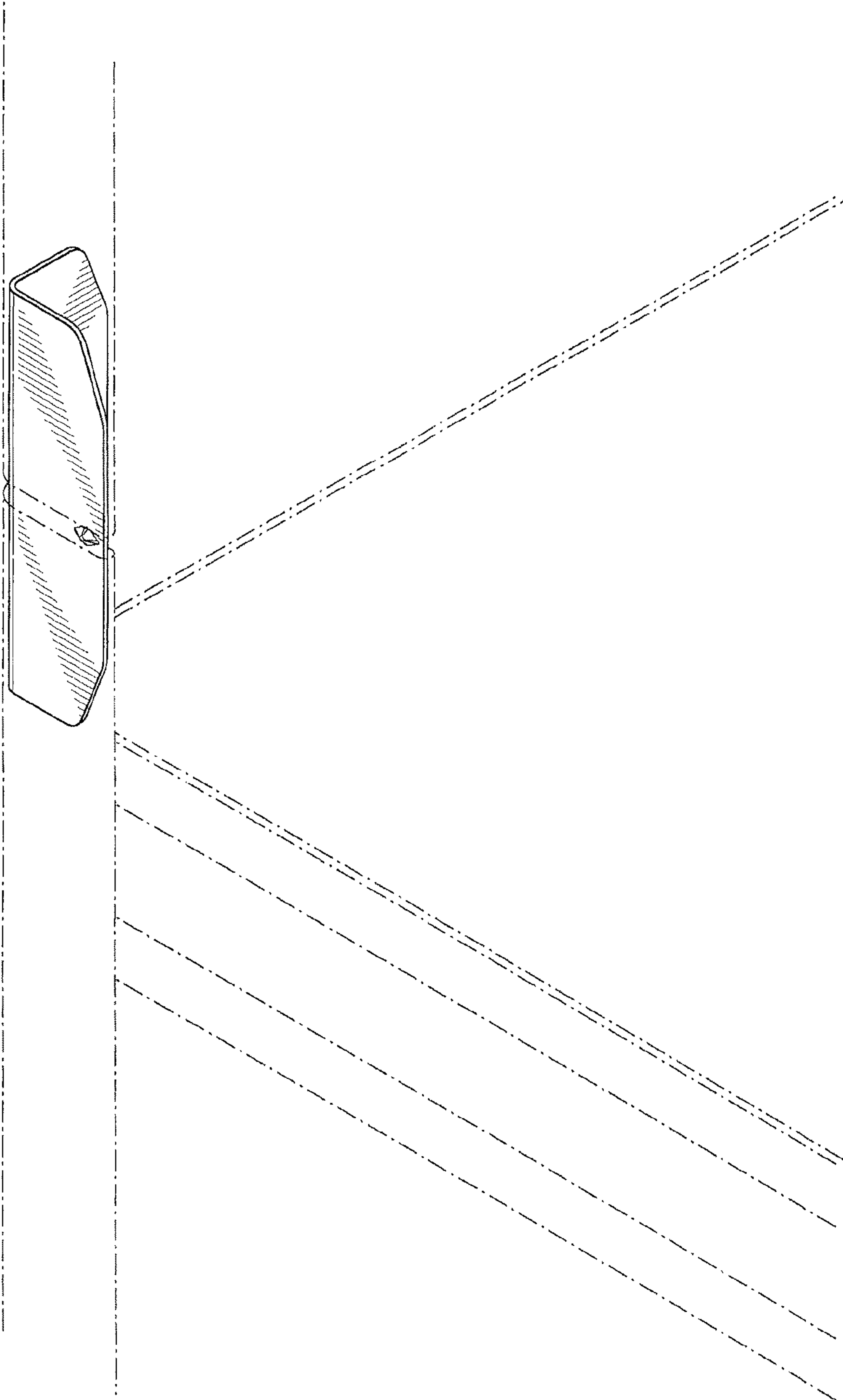


FIG. 7

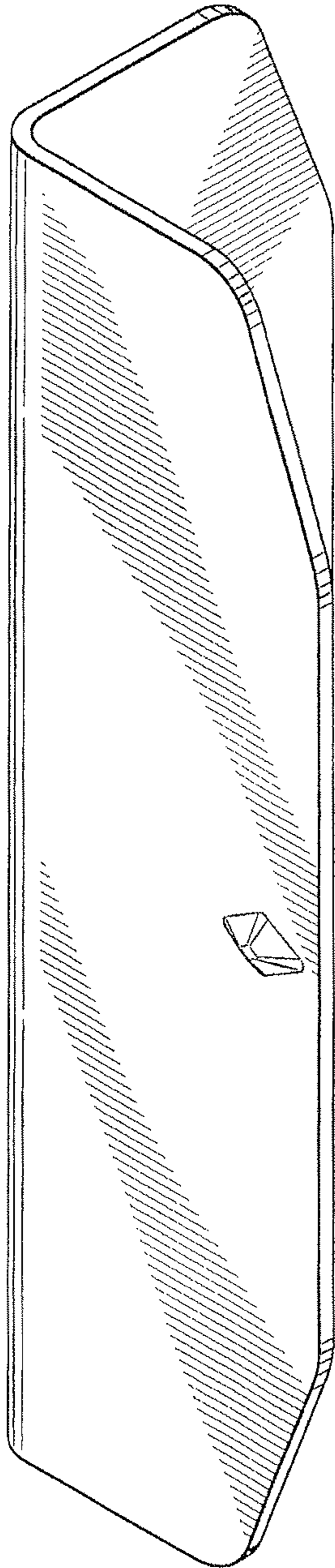


FIG. 8

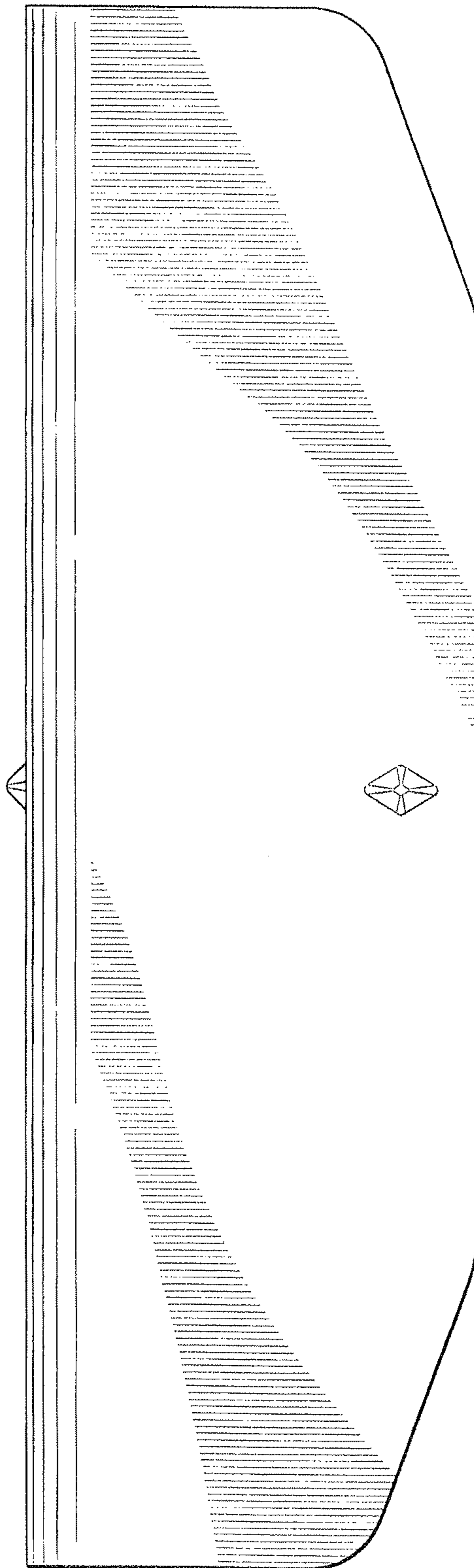


FIG. 9

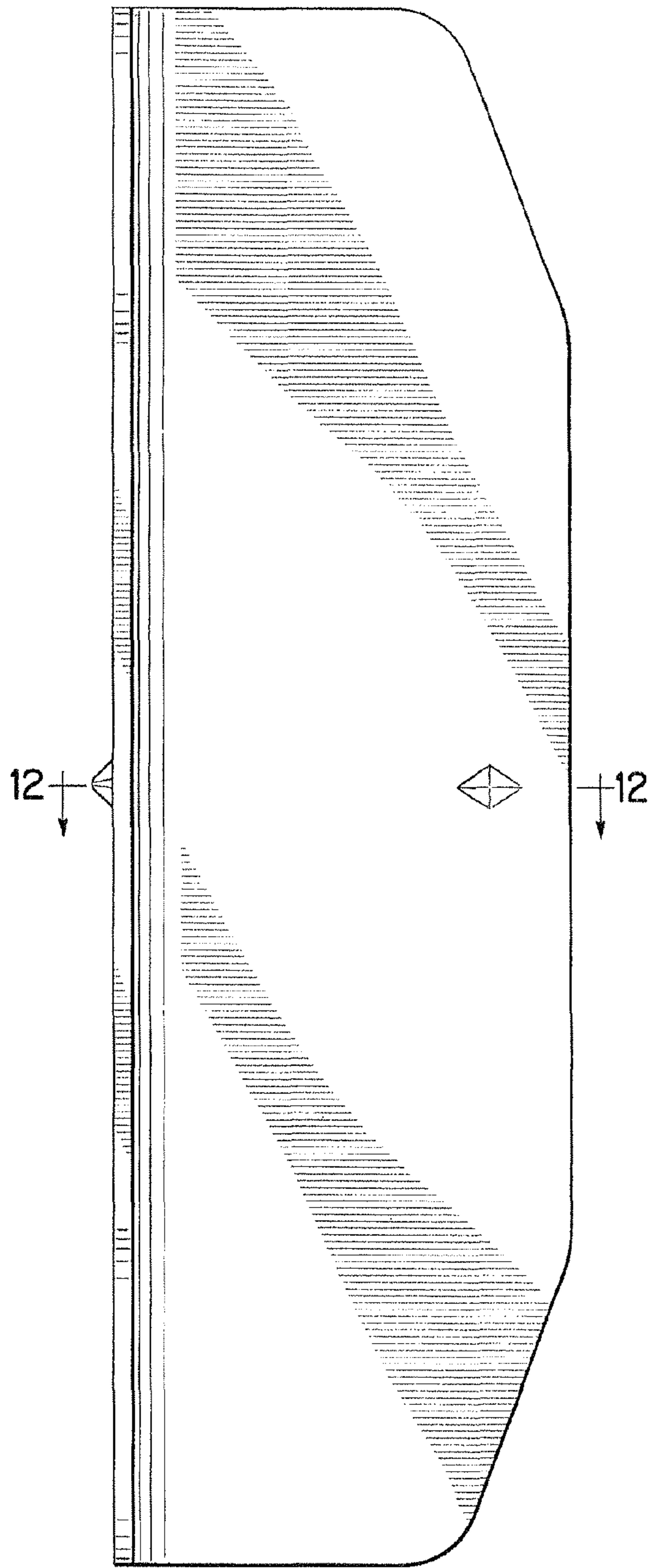


FIG. 10

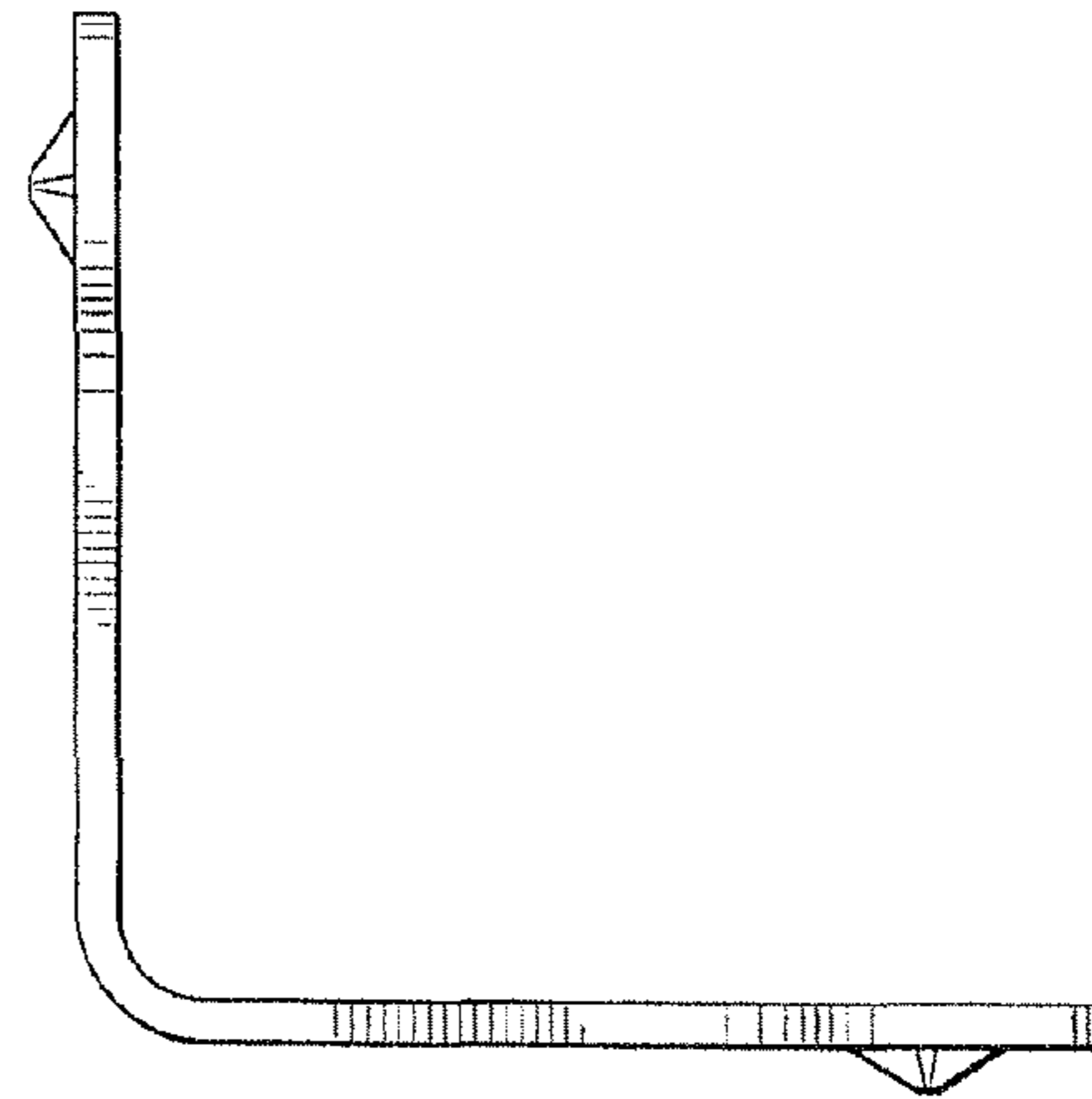


FIG. 11

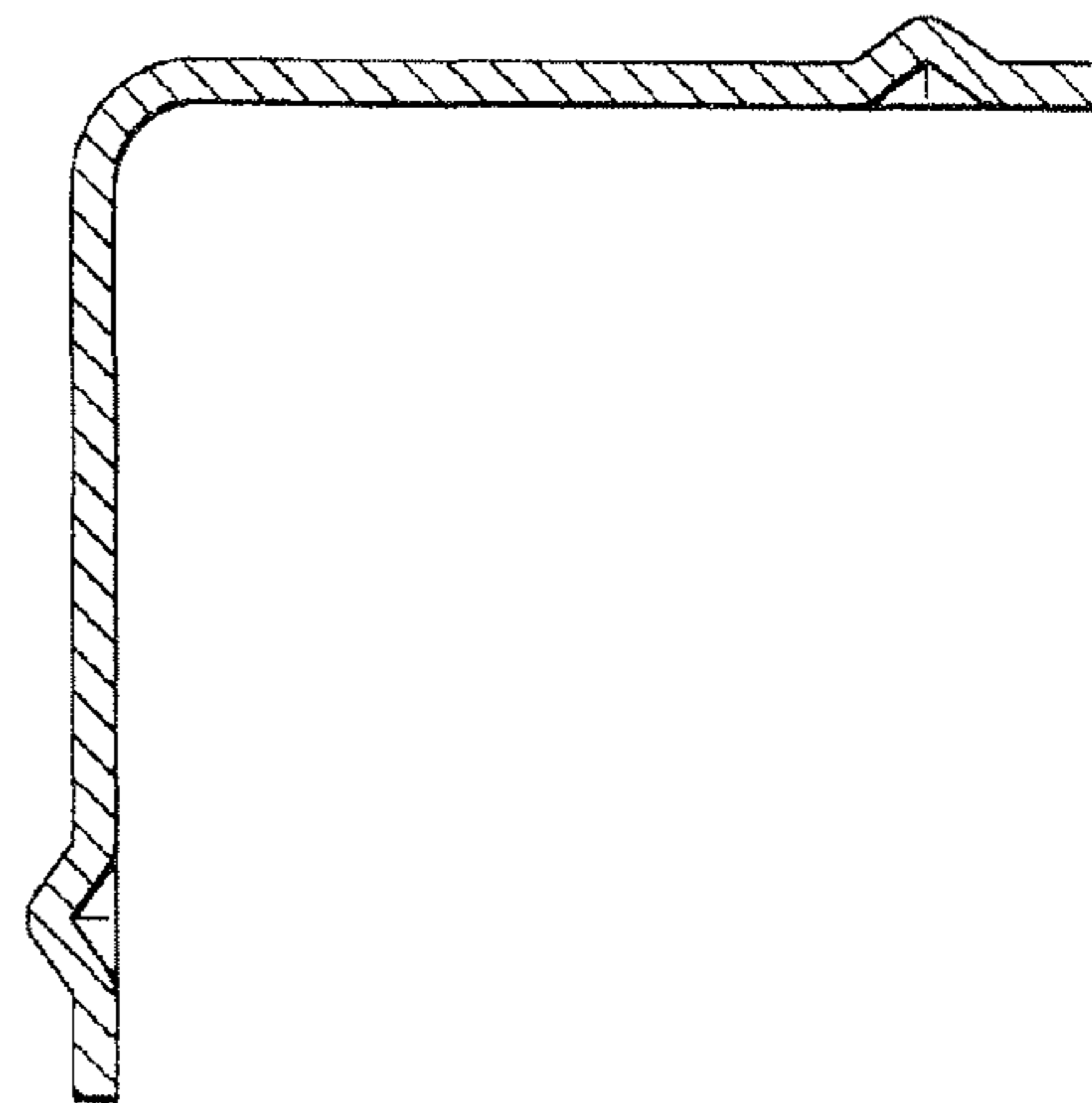


FIG. 12