



US00D708049S

(12) **United States Design Patent**
Goodman et al.

(10) **Patent No.:** **US D708,049 S**

(45) **Date of Patent:** **** Jul. 1, 2014**

(54) **HOOKS**

(71) Applicant: **Spectrum Diversified Designs, Inc.**,
Streetsboro, OH (US)

(72) Inventors: **Sheldon H. Goodman**, Solon, OH (US);
Phaysouk Xayoiphonh, Akron, OH
(US); **Jennifer Case**, Middleburgh
Heights, OH (US)

(73) Assignee: **Spectrum Diversified Designs, Inc.**,
Streetsboro, OH (US)

(**) Term: **14 Years**

(21) Appl. No.: **29/441,507**

(22) Filed: **Jan. 7, 2013**

(51) **LOC (10) Cl.** **08-05**

(52) **U.S. Cl.**
USPC **D8/372**

(58) **Field of Classification Search**
USPC D8/370, 367, 372; 248/302-303;
211/105.1, 106, 112, 119
See application file for complete search history.

(56) **References Cited**

U.S. PATENT DOCUMENTS

D357,403	S	*	4/1995	Goodman et al.	D8/372
D363,208	S	*	10/1995	Seidel	D8/372
D421,382	S	*	3/2000	Abdi	D8/372
D436,839	S	*	1/2001	Goodman et al.	D8/372
D461,706	S	*	8/2002	Goodman et al.	D8/372
D465,406	S	*	11/2002	Goodman et al.	D8/372
D465,998	S	*	11/2002	Goodman et al.	D8/372

(Continued)

Primary Examiner — Holly Baynham

(74) *Attorney, Agent, or Firm* — Benesch, Friedlander,
Coplan & Aronoff, LLP

(57) **CLAIM**

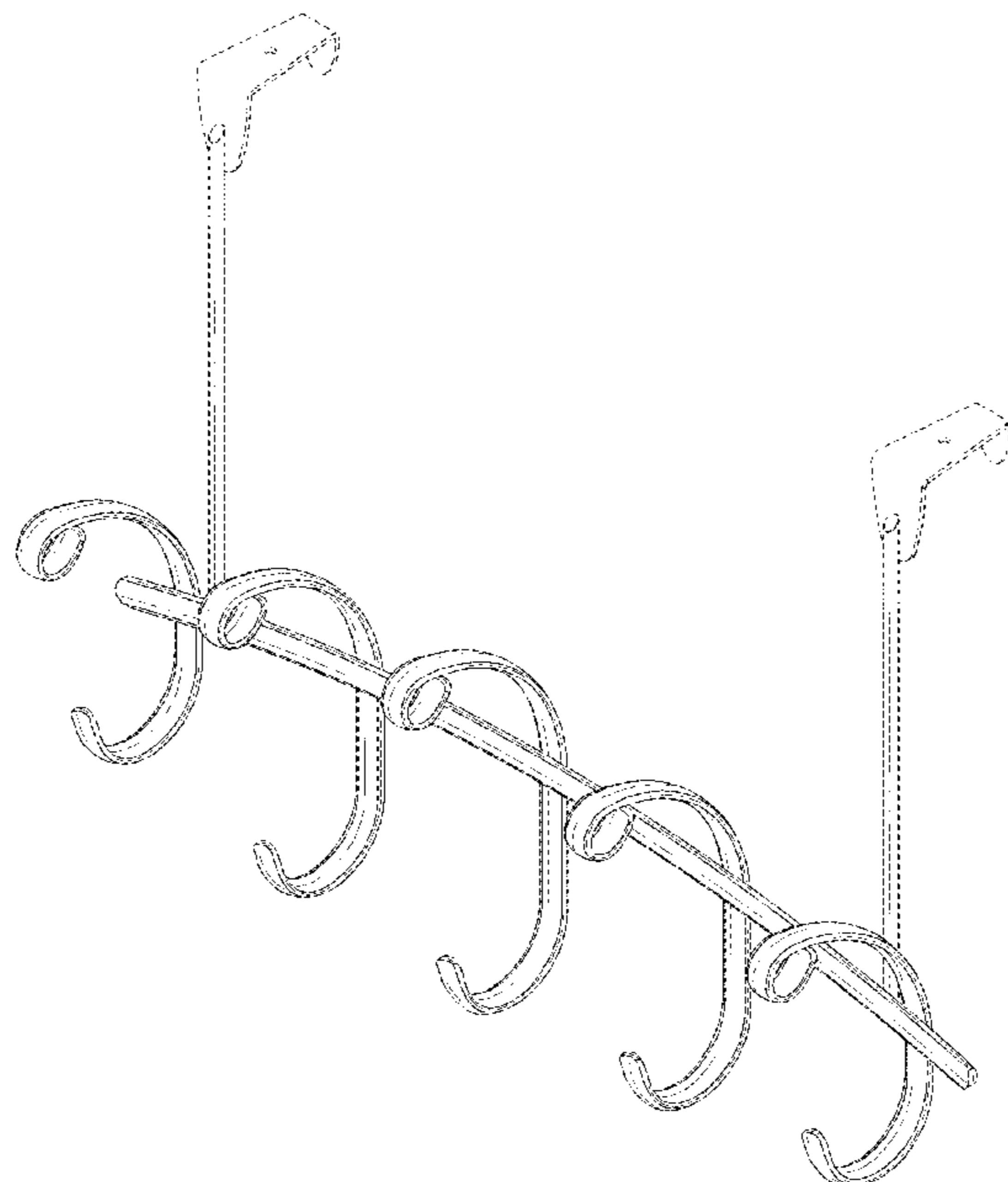
What is claimed is the ornamental design for ornamental
hooks, as shown and described.

DESCRIPTION

FIG. 1 is a perspective view of ornamental hooks showing a new design;
 FIG. 2 is a front view of the ornamental hooks of FIG. 1;
 FIG. 3 is a side view of the ornamental hooks of FIG. 1;
 FIG. 4 is a rear view of the ornamental hooks of FIG. 1;
 FIG. 5 is a top view of the ornamental hooks of FIG. 1;
 FIG. 6 is a cross-sectional view taken along line 6-6 of FIG. 5.
 FIG. 7 is a bottom view of the ornamental hooks of FIG. 1;
 FIG. 8 is a perspective view of another embodiment of the ornamental hooks of FIG. 1;
 FIG. 9 is a perspective view of another embodiment of the ornamental hooks showing a new design;
 FIG. 10 is a front view of the ornamental hooks of FIG. 9;
 FIG. 11 is a side view of the ornamental hooks of FIG. 9;
 FIG. 12 is a rear view of the ornamental hooks of FIG. 9;
 FIG. 13 is a top view of the ornamental hooks of FIG. 9;
 FIG. 14 is a cross-sectional view taken along line 14-14 of FIG. 13.
 FIG. 15 is a bottom view of the ornamental hooks of FIG. 8;
 and,
 FIG. 16 is a perspective view of another embodiment of the ornamental hooks of FIG. 8.

The broken lines showing the over the door brackets are for the purposes of illustrating environment and form no part of the claimed design. The broken lines adjacent the shading on the extending poles represent the boundaries of the claim and are not part of the claimed design.

1 Claim, 8 Drawing Sheets



US D708,049 S

Page 2

(56)

References Cited

U.S. PATENT DOCUMENTS

D466,396 S * 12/2002 Snell D8/372
D472,134 S * 3/2003 Goodman et al. D8/372
D473,454 S * 4/2003 Goodman et al. D8/370

D473,455 S * 4/2003 Goodman et al. D8/372
D479,796 S * 9/2003 Snell D8/372
D568,725 S * 5/2008 Snider D8/372
D669,768 S * 10/2012 Tawil D8/372

* cited by examiner

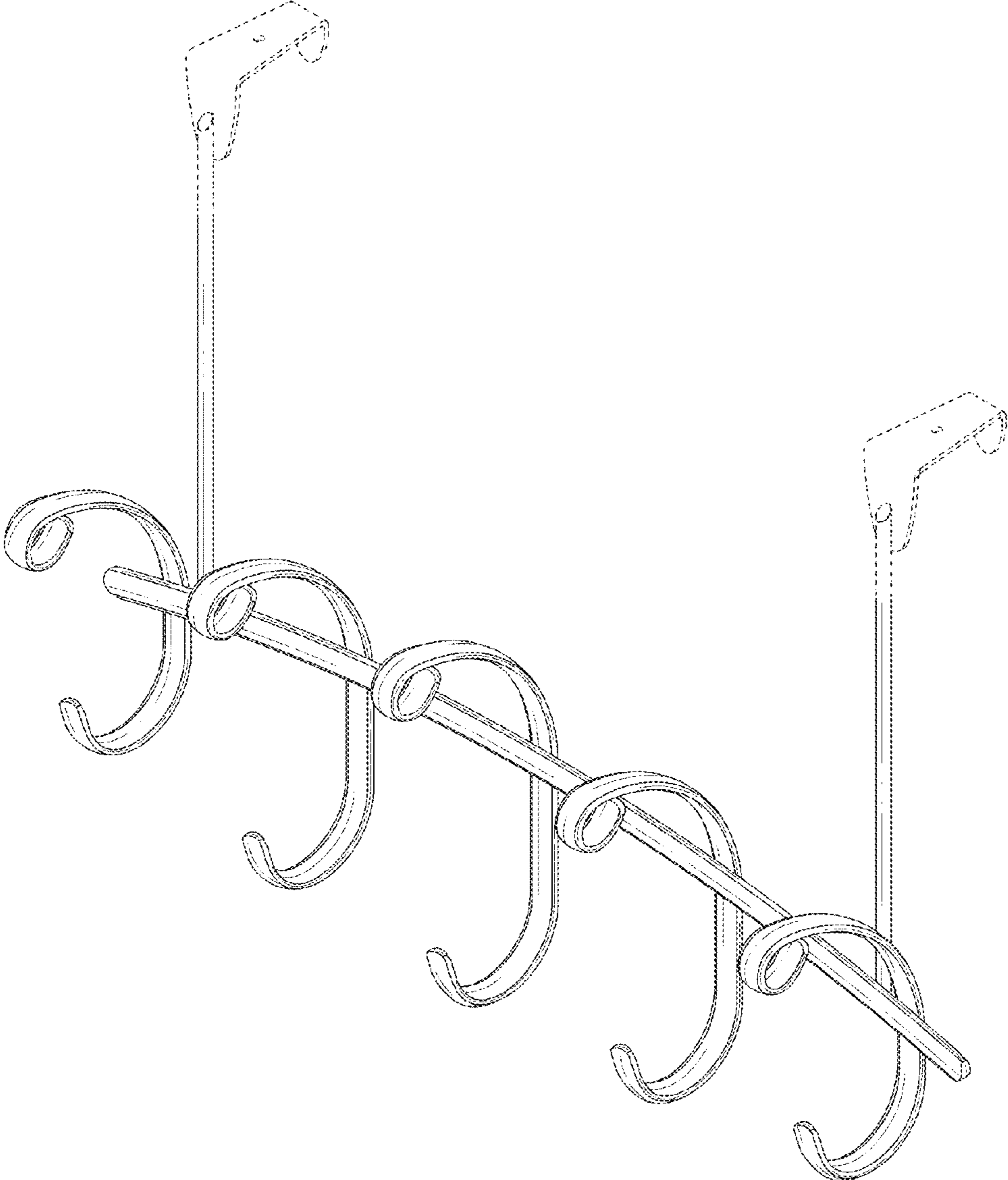


FIG 1

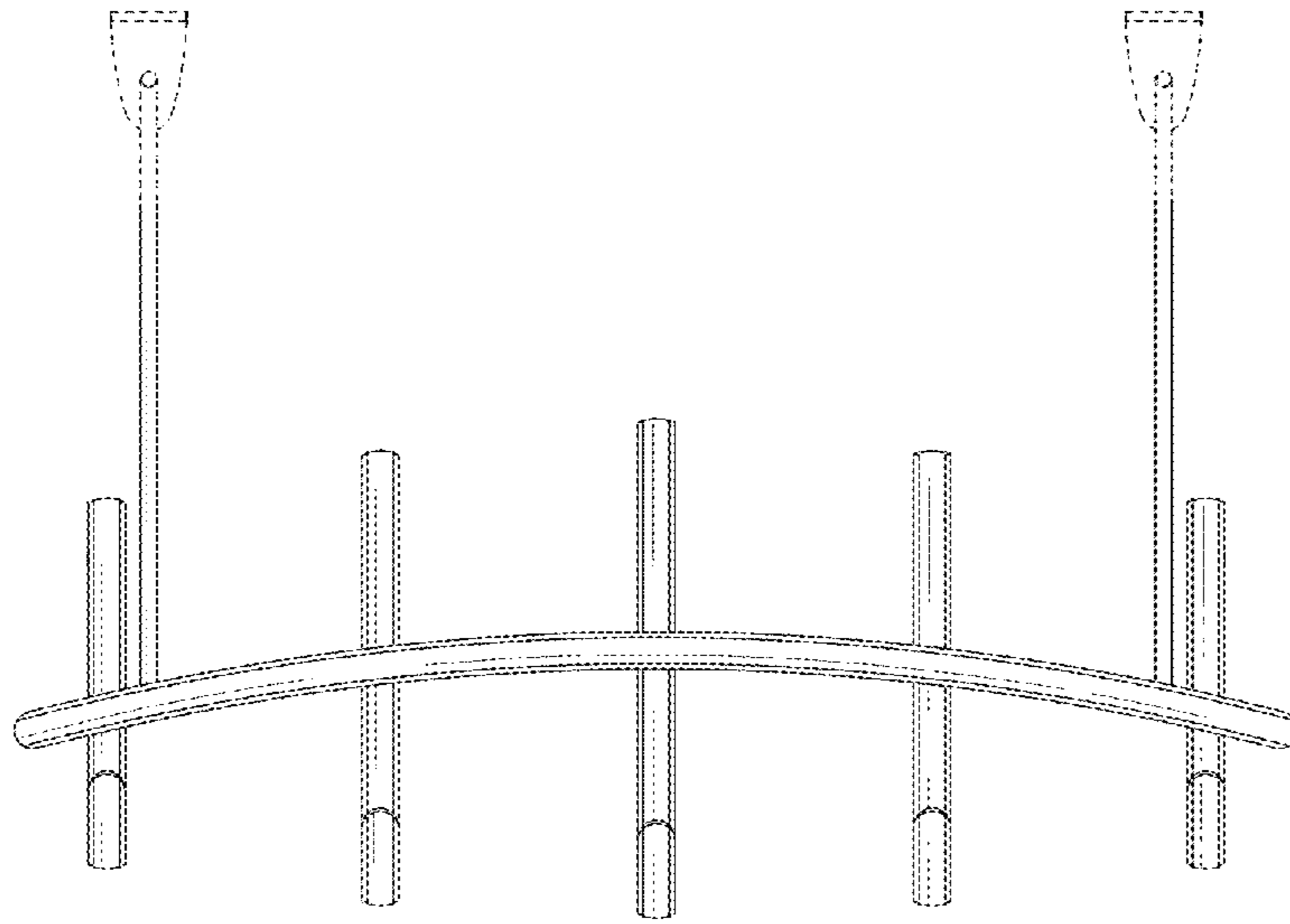


FIG 2

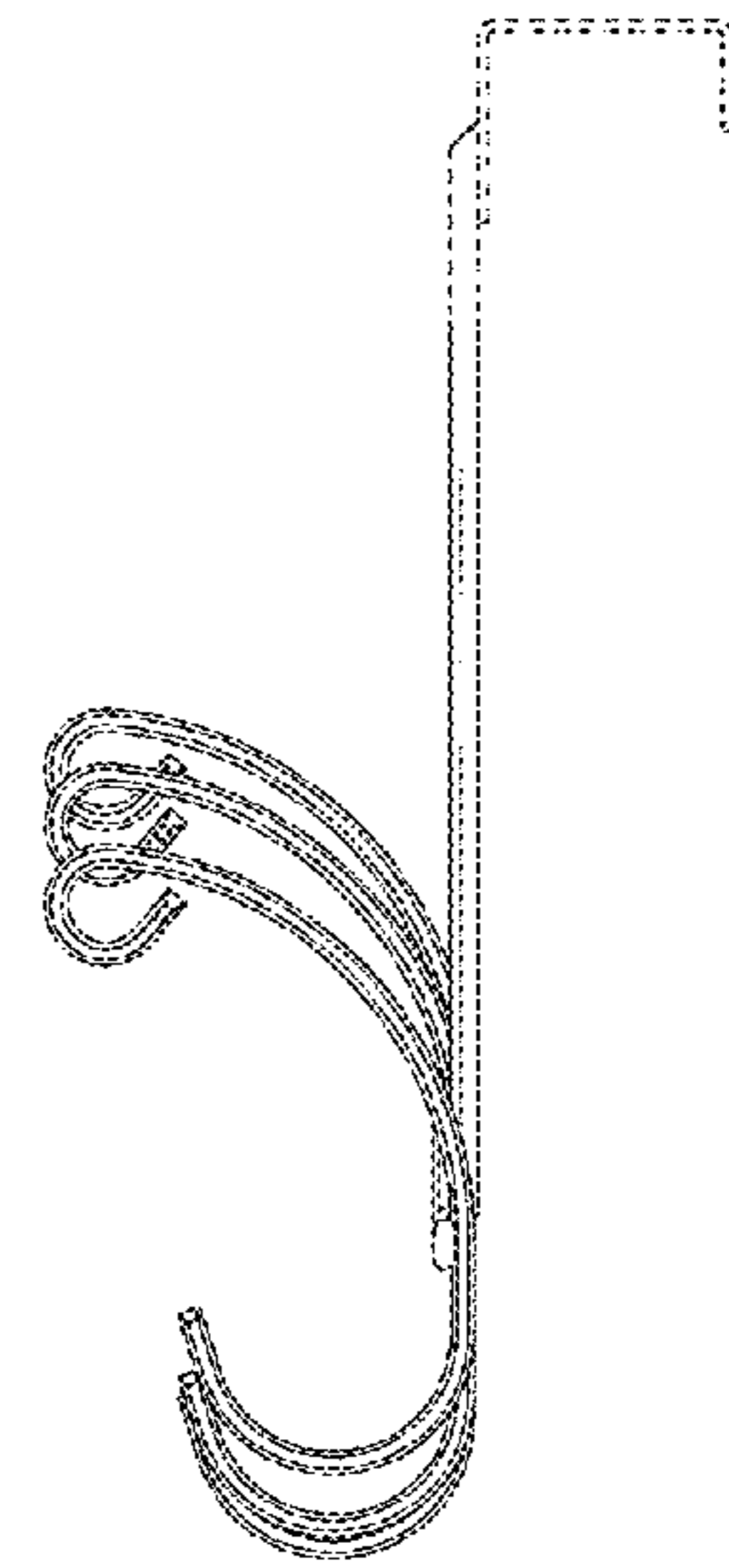


FIG 3

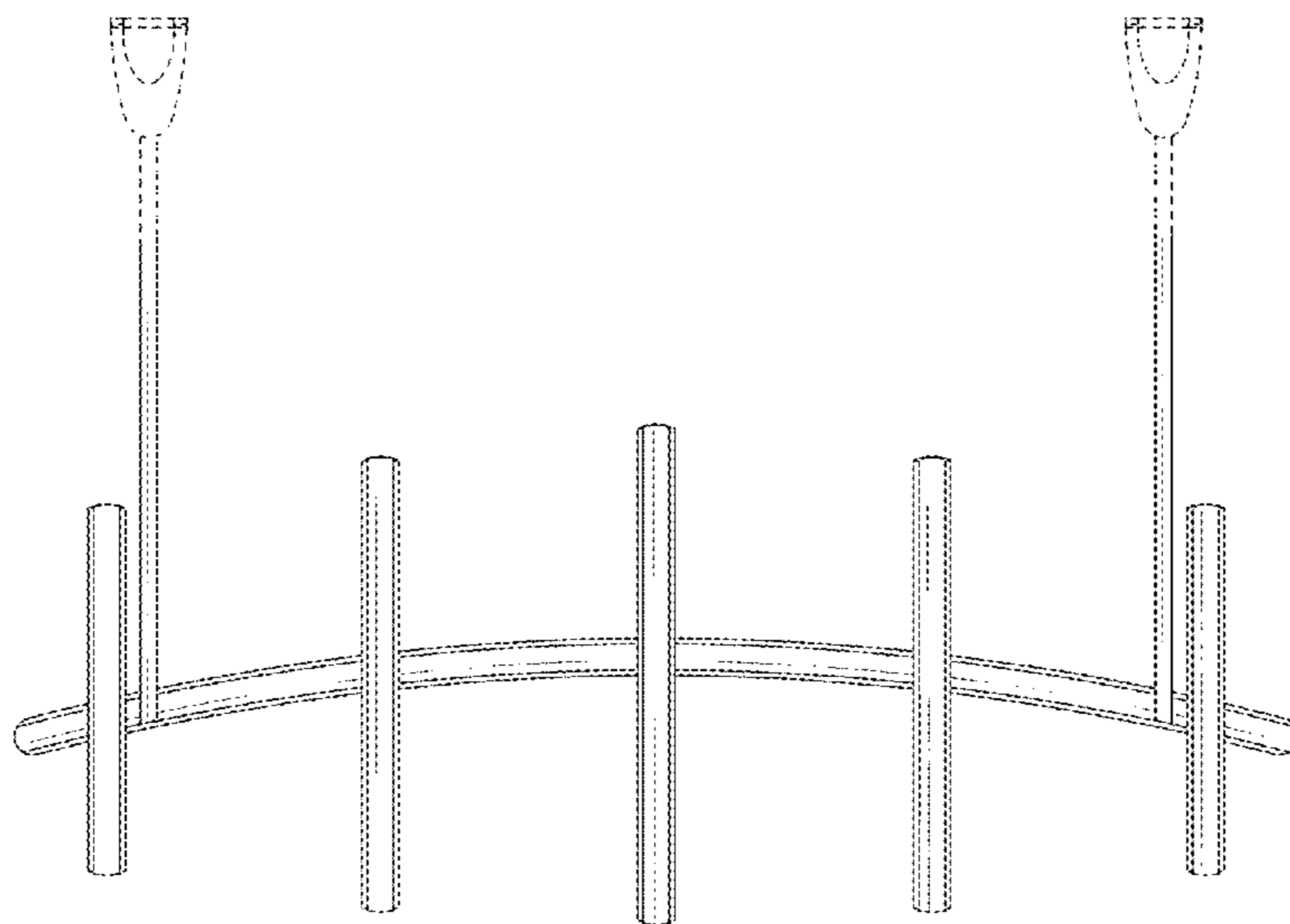


FIG 4

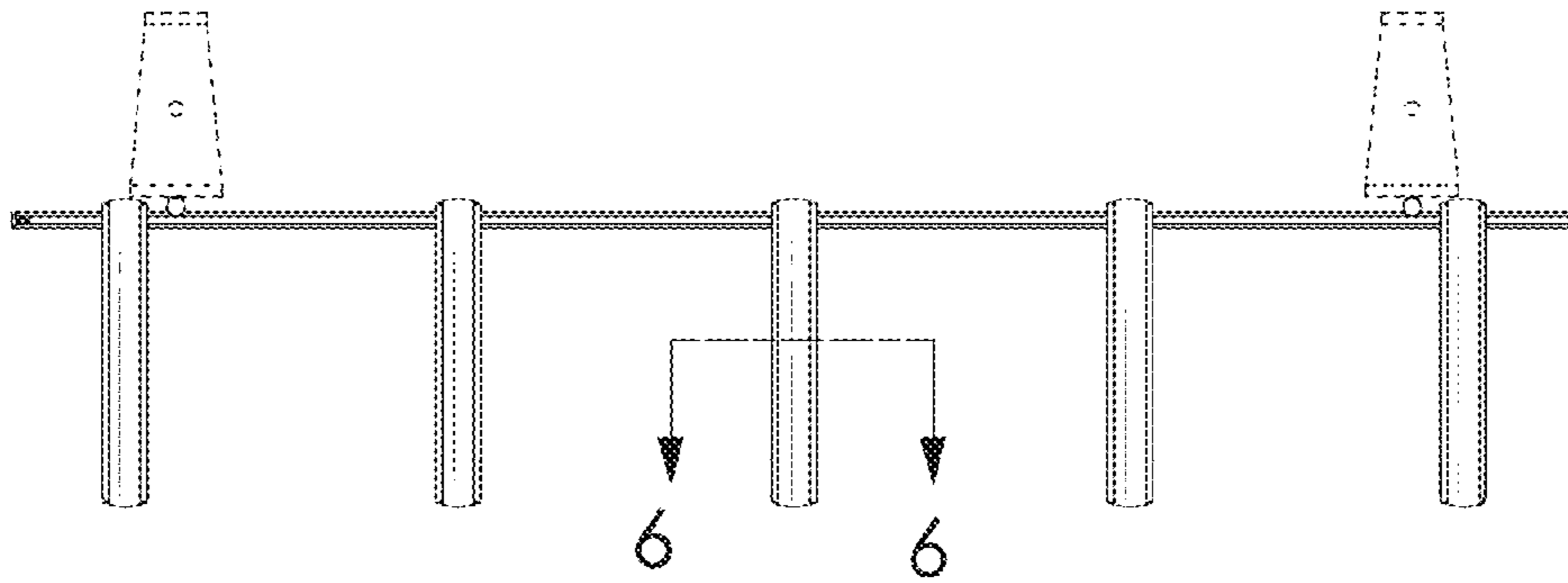


FIG 5

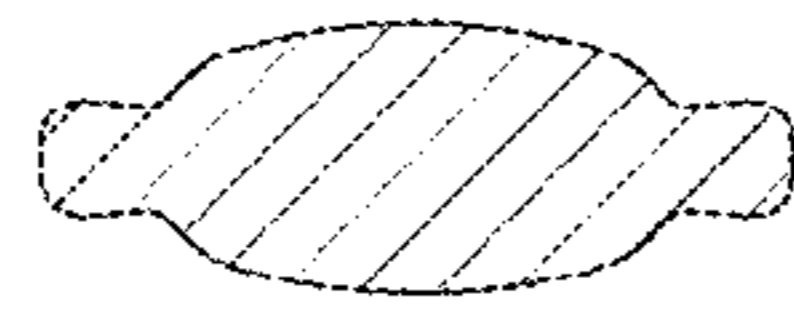


FIG 6

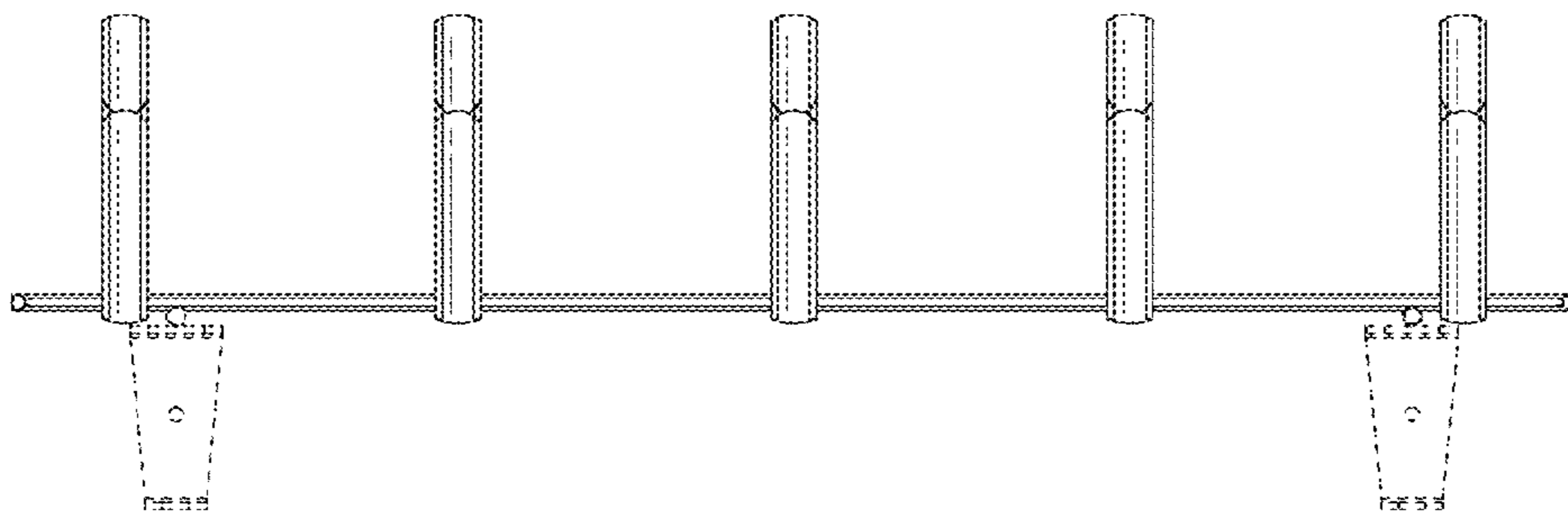


FIG 7

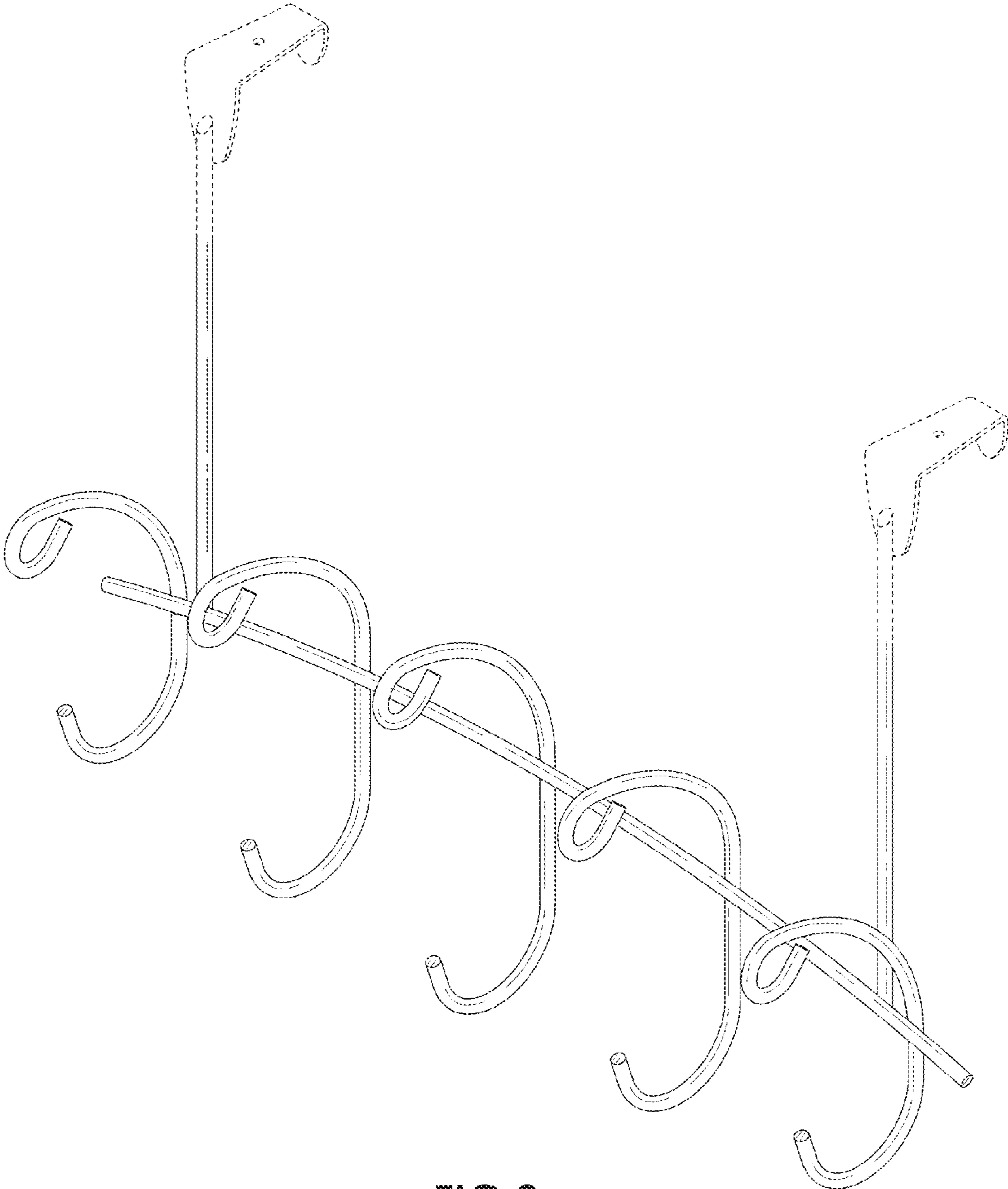


FIG 8

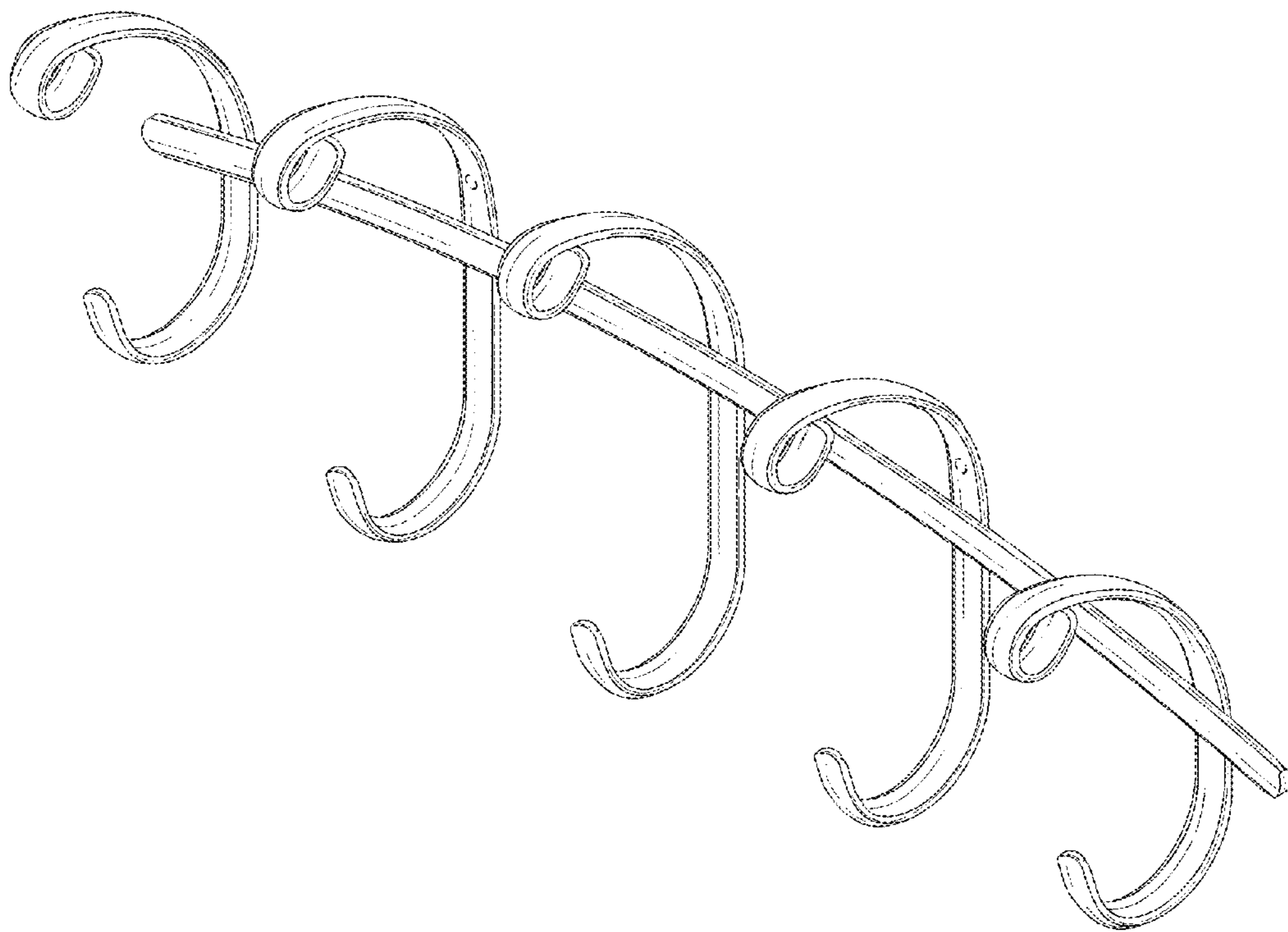


FIG 9

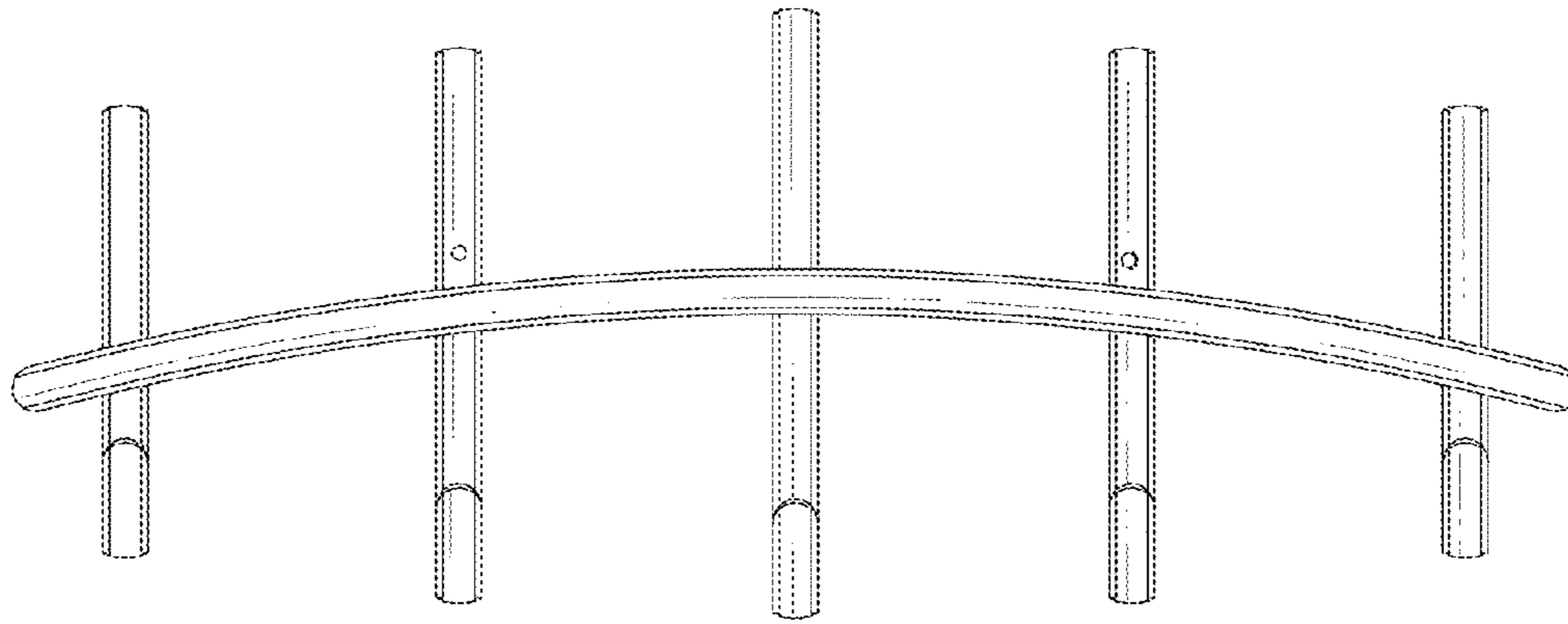


FIG 10

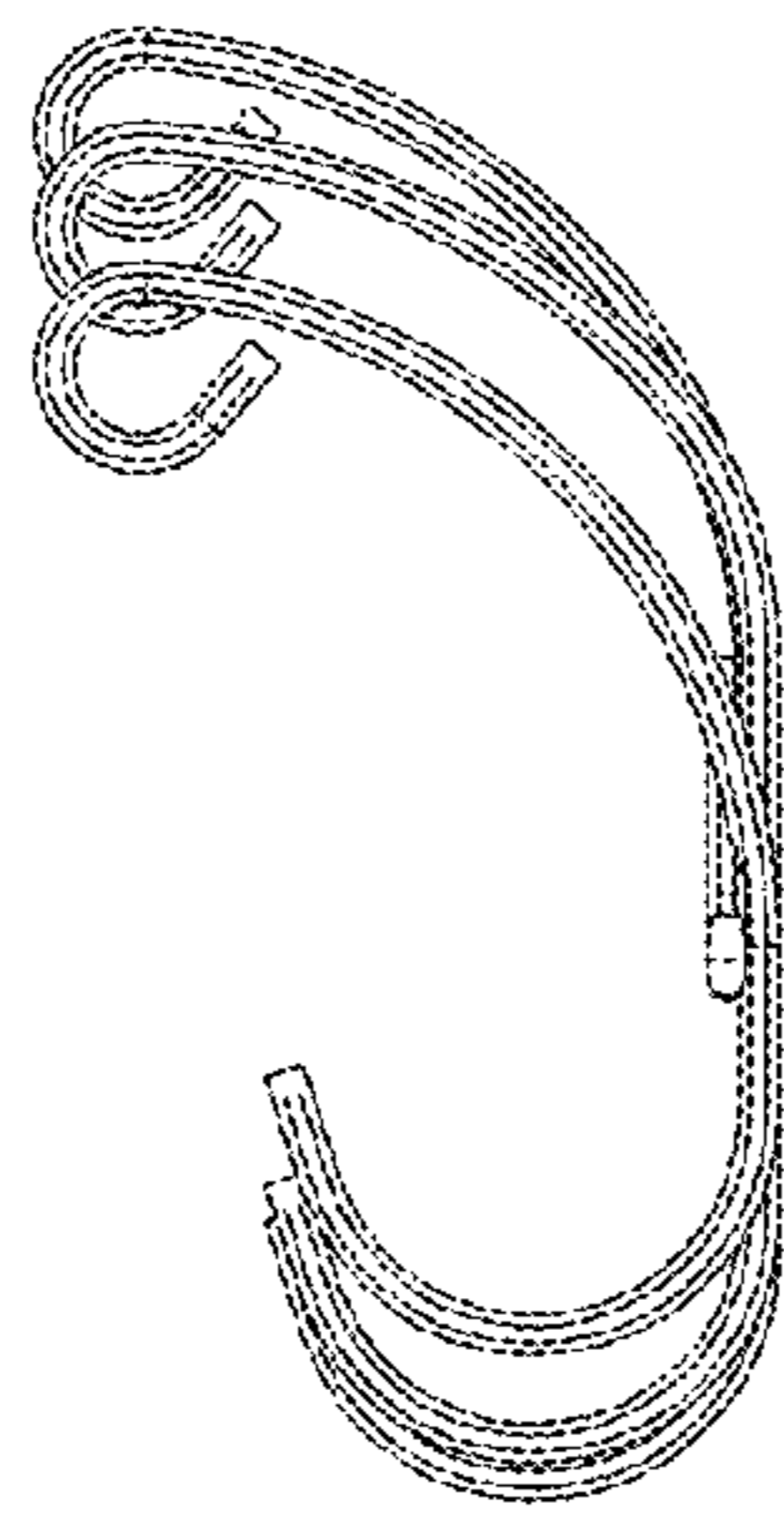


FIG 11

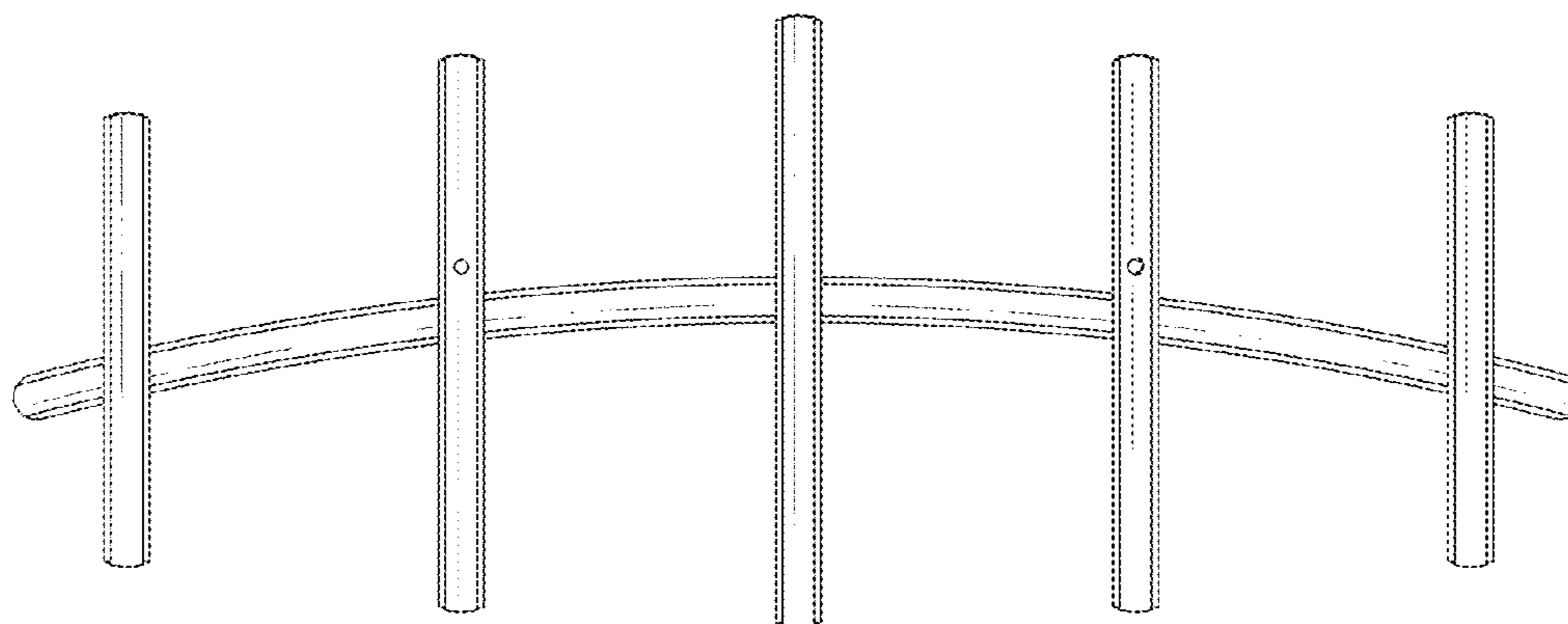


FIG 12

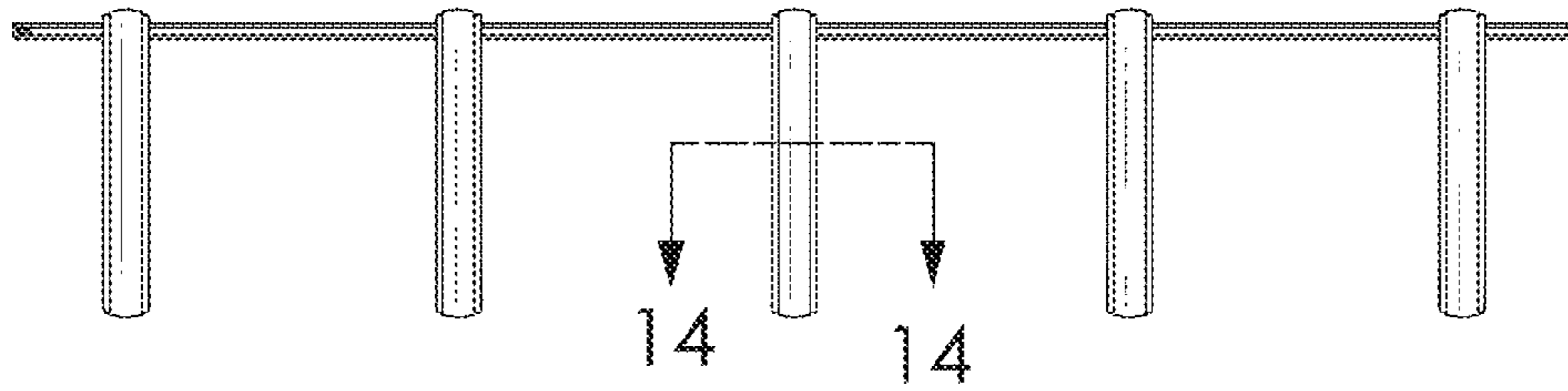


FIG 13

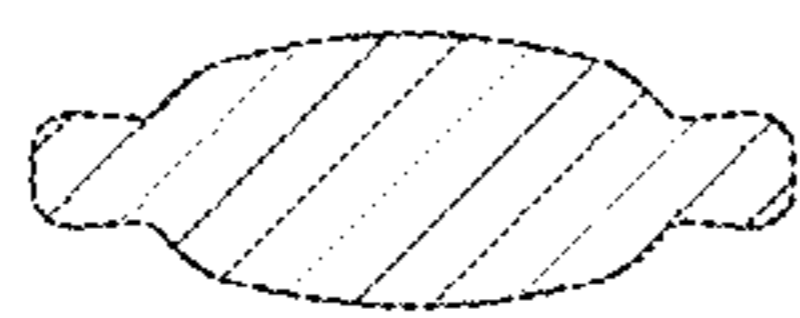


FIG 14

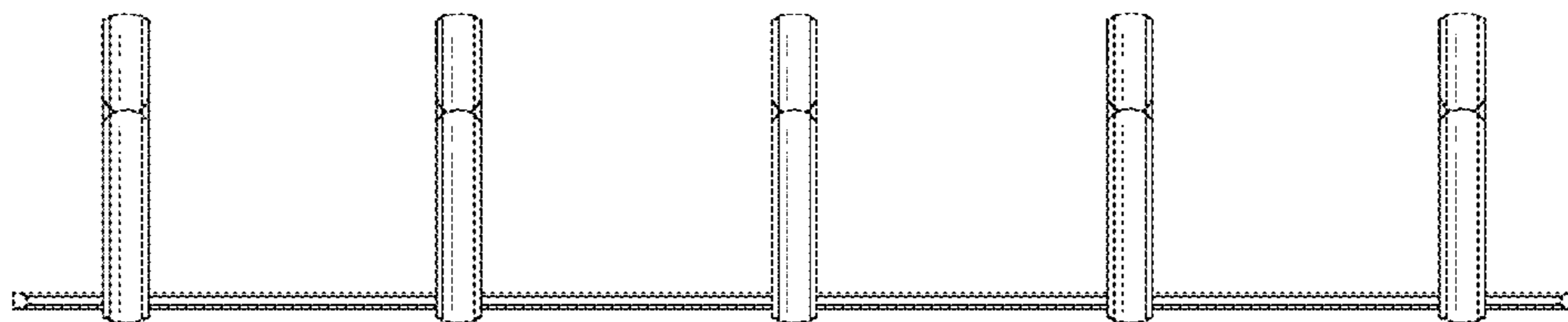


FIG 15

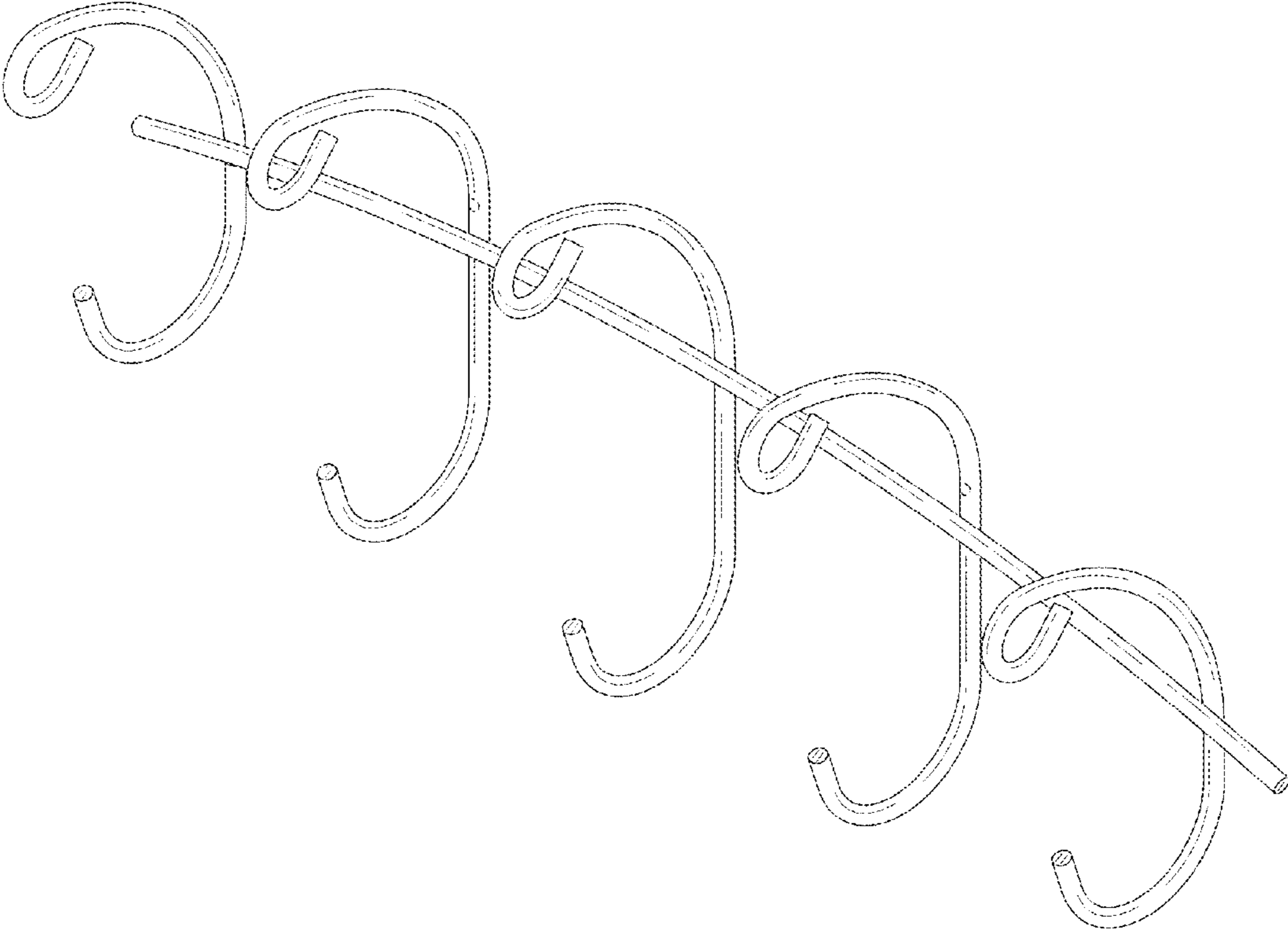


FIG 16