

US00D708041S

(12) **United States Design Patent**
Day

(10) **Patent No.:** **US D708,041 S**

(45) **Date of Patent:** **** Jul. 1, 2014**

(54) **APPARATUS FOR LOCKING A FUEL CAP TO A FUEL TANK**

(71) Applicant: **Ricky N. Day**, St. Maries, ID (US)

(72) Inventor: **Ricky N. Day**, St. Maries, ID (US)

(**) Term: **14 Years**

(21) Appl. No.: **29/442,644**

(22) Filed: **Apr. 10, 2013**

(51) **LOC (10) Cl.** **08-07**

(52) **U.S. Cl.**
USPC **D8/333; D8/343**

(58) **Field of Classification Search**
USPC D8/330-333, 339-343, 349, 382, 383,
D8/394, 396; 70/14-16, 19, 57, 57.1, 58,
70/141, 158, 224, 225, 226, 233, 431, 416,
70/465, 163-173; 292/246-256, 299,
292/307 R; 220/86.2, 324, 327
See application file for complete search history.

(56) **References Cited**

U.S. PATENT DOCUMENTS

2,345,809	A *	4/1944	Greenberg	220/86.2
3,349,947	A *	10/1967	Zumwalt	220/327
D247,423	S *	3/1978	Kaplan	D8/333
D254,836	S *	4/1980	Tankel	D8/333
4,706,841	A *	11/1987	Grajek	220/375
D296,414	S *	6/1988	DeWalch	D8/333
D344,441	S *	2/1994	Mahaney	D8/333

5,638,874	A *	6/1997	Thompson	141/312
5,904,057	A *	5/1999	Abney et al.	70/167
6,393,875	B1 *	5/2002	Garel et al.	70/18
8,294,583	B2 *	10/2012	Sayegh et al.	340/572.9
D686,054	S *	7/2013	Rohde	D8/330

* cited by examiner

Primary Examiner — Prabhakar Deshmukh

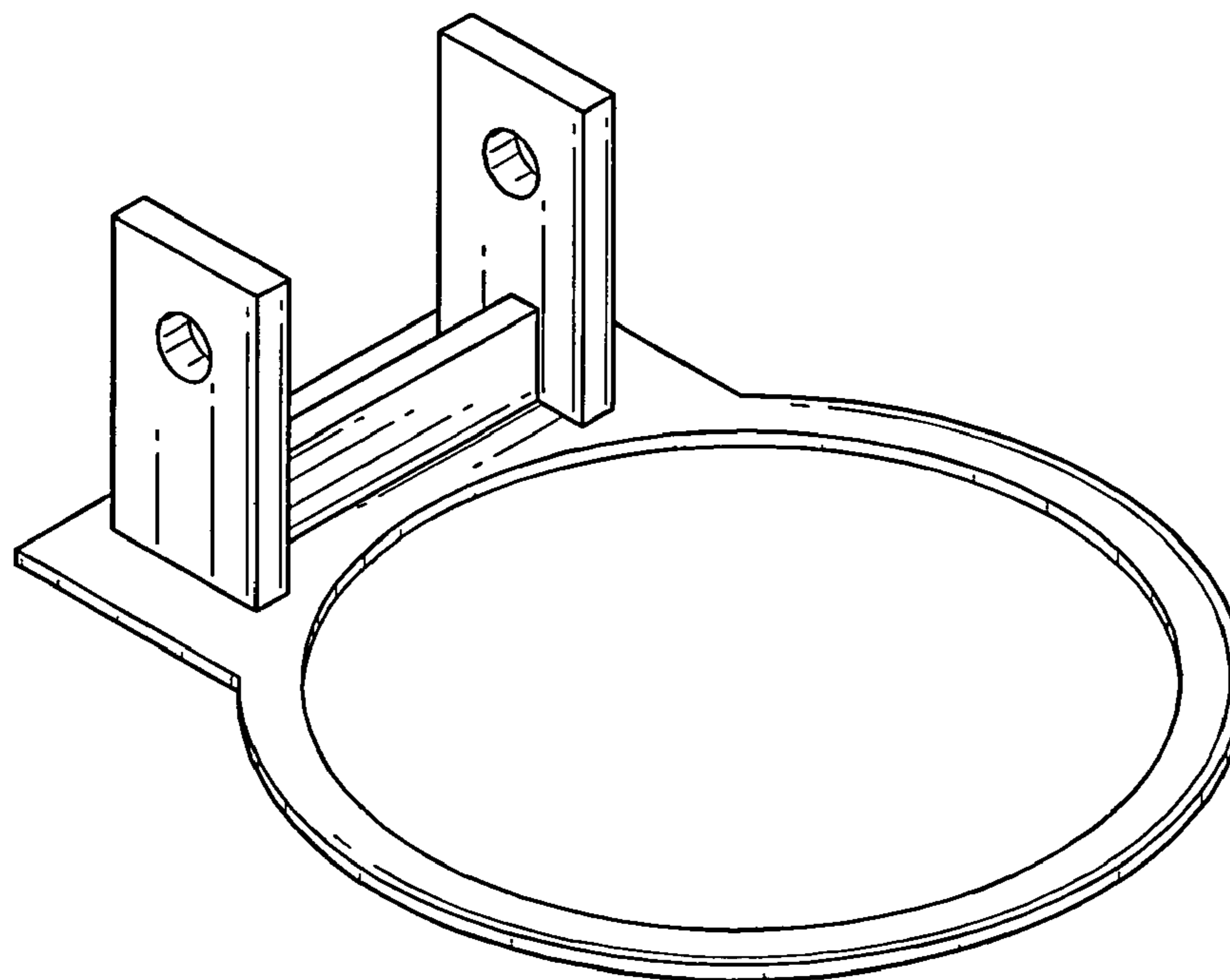
(57) **CLAIM**

The ornamental design for an apparatus for locking a fuel cap to a fuel tank, as shown and described.

DESCRIPTION

FIG. 1 is a perspective view of the apparatus for locking a fuel cap to a fuel tank according to my new design; FIG. 2 is a top view thereof; FIG. 3 is a front side view thereof; FIG. 4 is a right side view thereof; FIG. 5 is a bottom view thereof; FIG. 6 is a rear view thereof; FIG. 7 is a left side view thereof; FIG. 8 is a perspective view illustrating the placement of the apparatus on a fuel tank; FIG. 9 is a perspective view illustrating the placement of a fuel cap in the apparatus; and, FIG. 10 is a perspective view illustrating the locking of the fuel cap to the fuel tank employing the apparatus. The broken lines in FIGS. 8-10 indicate the environment and form no part of the claimed design.

1 Claim, 6 Drawing Sheets



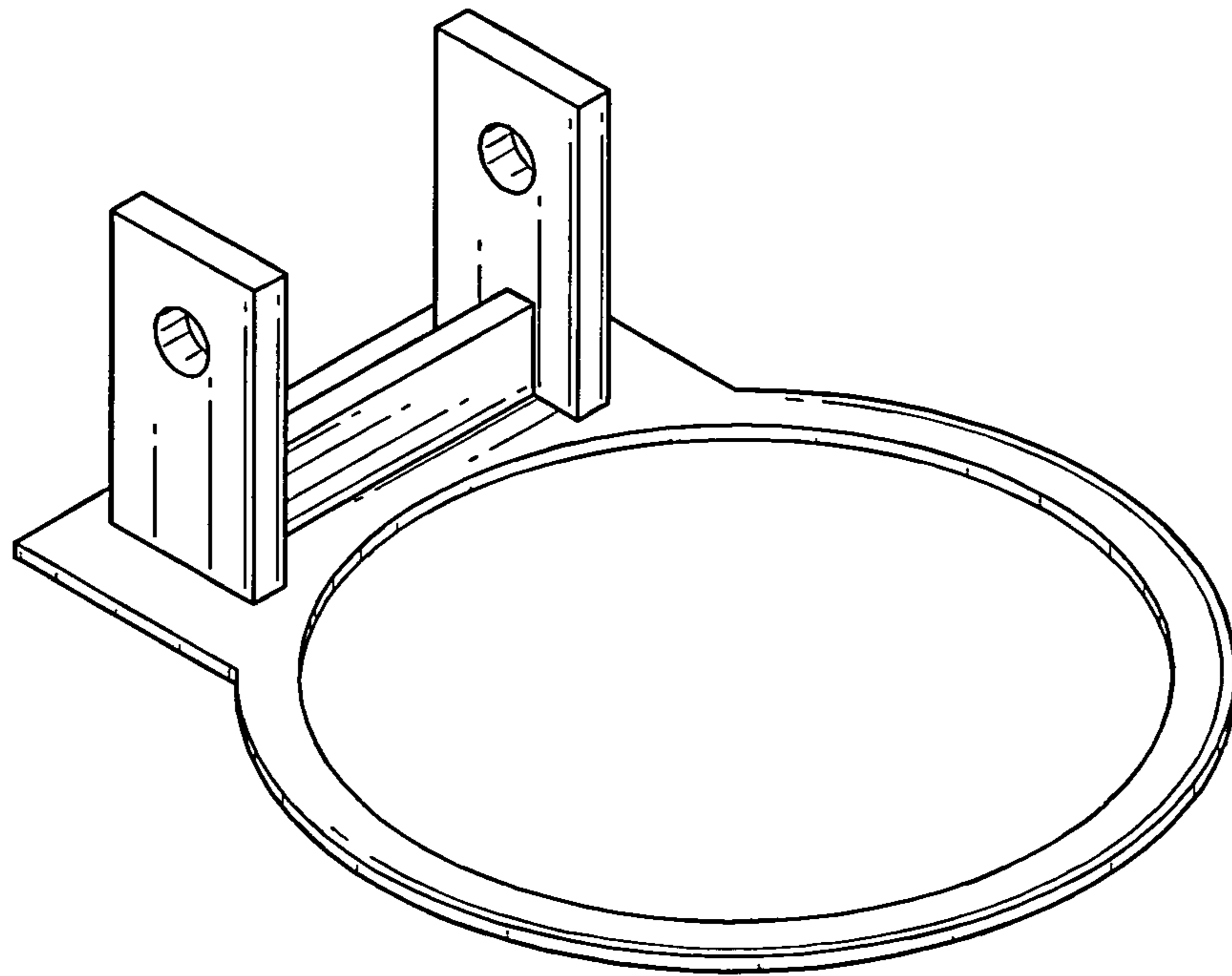


Fig. 1

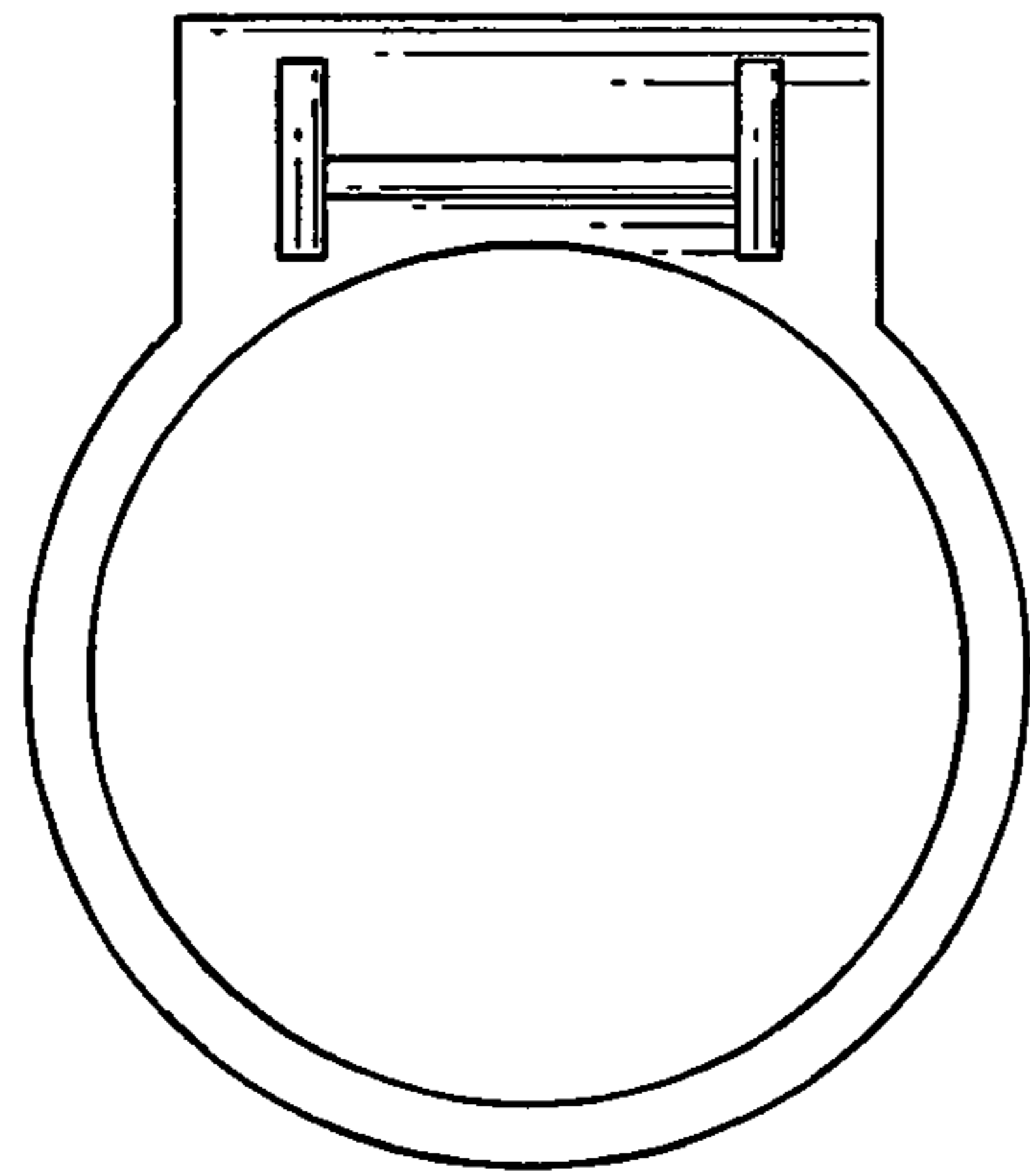


Fig. 2



Fig. 3

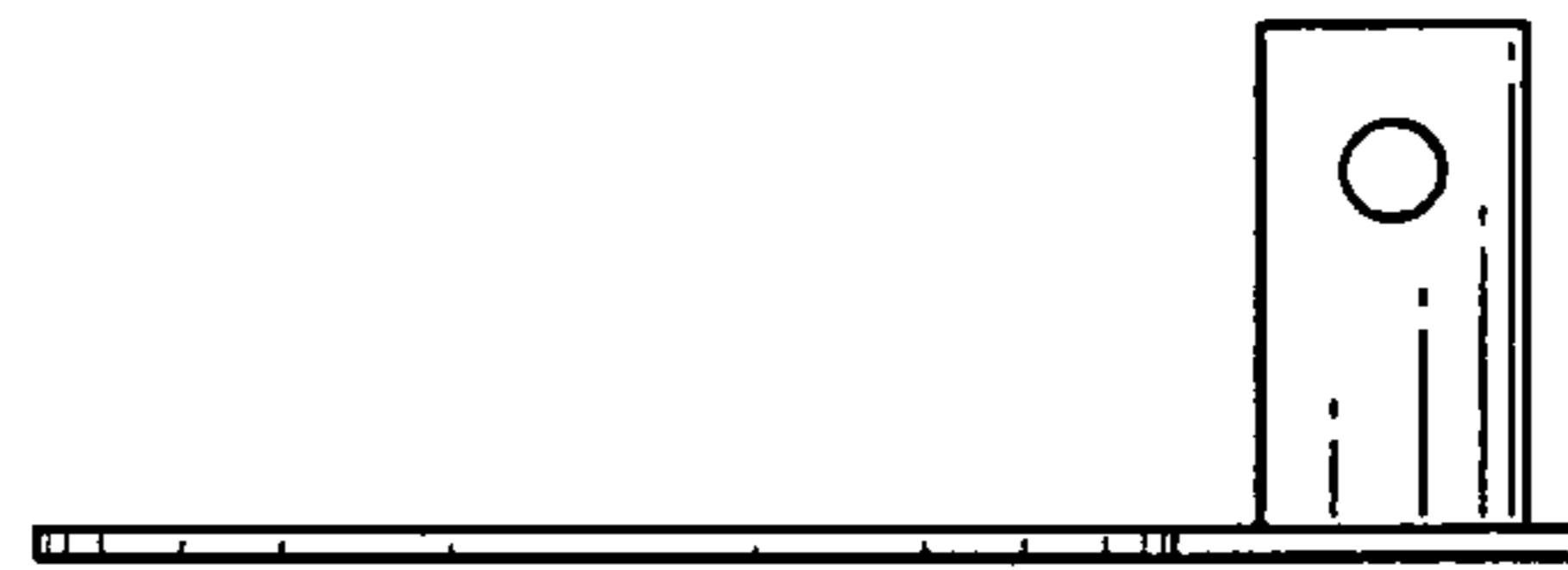


Fig. 4

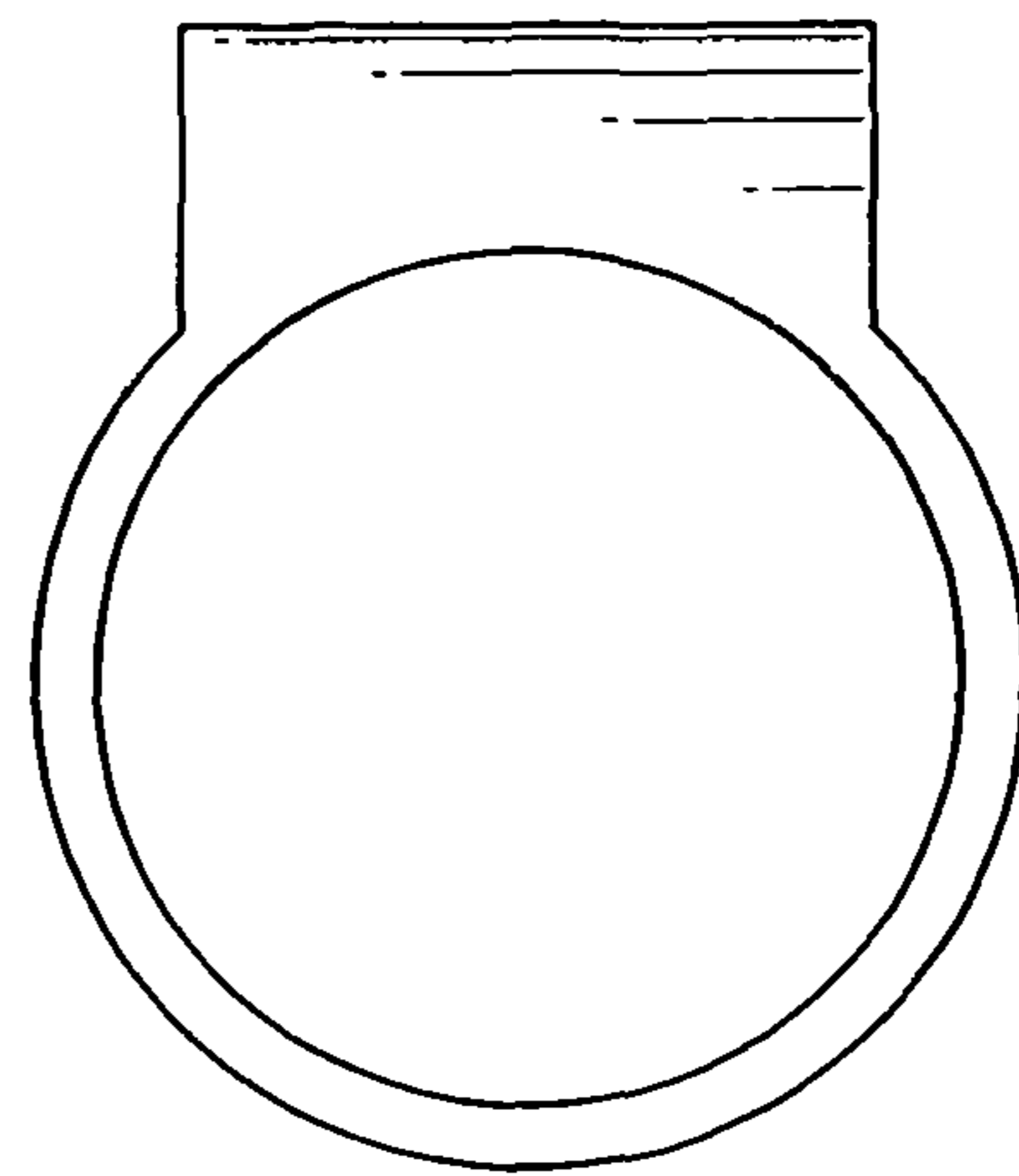


Fig. 5



Fig. 7

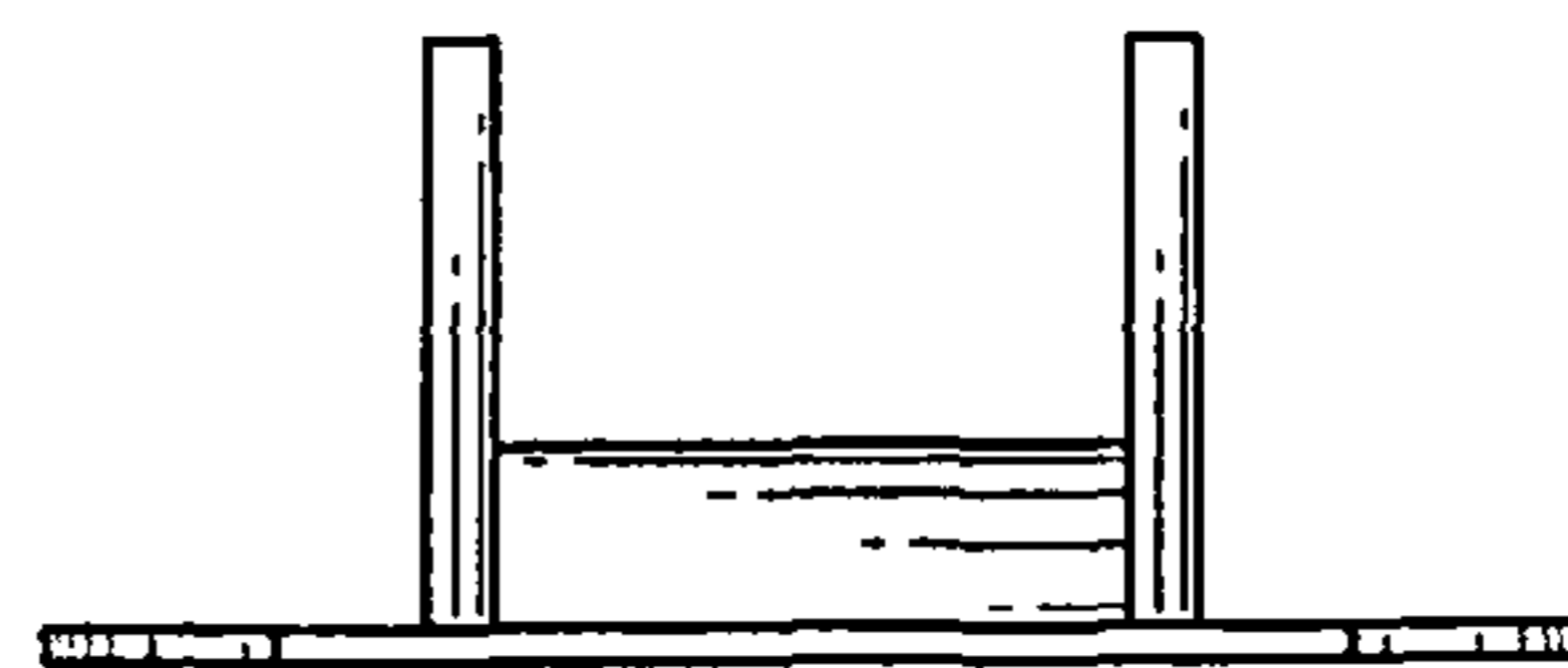


Fig. 6

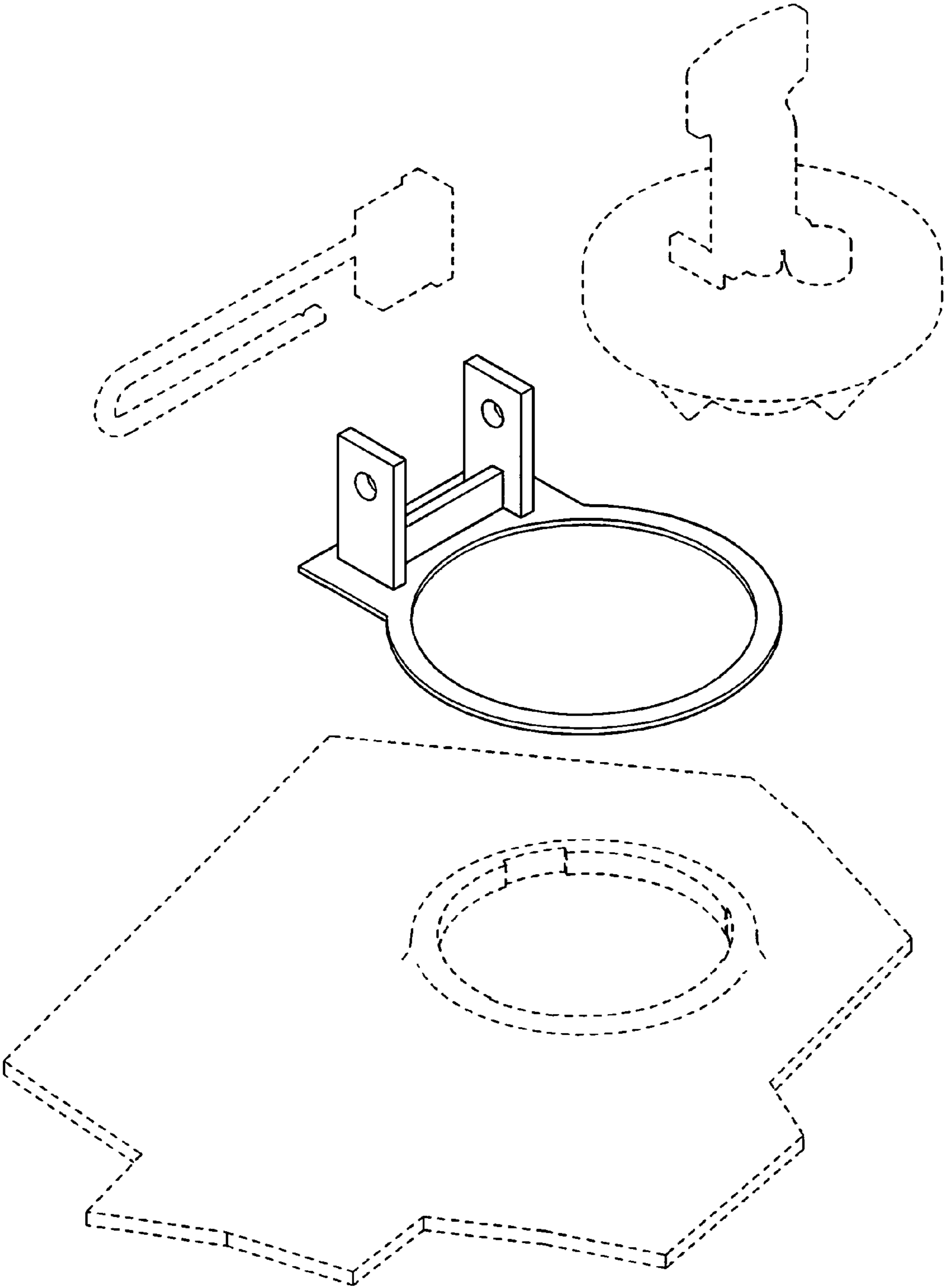


Fig. 8

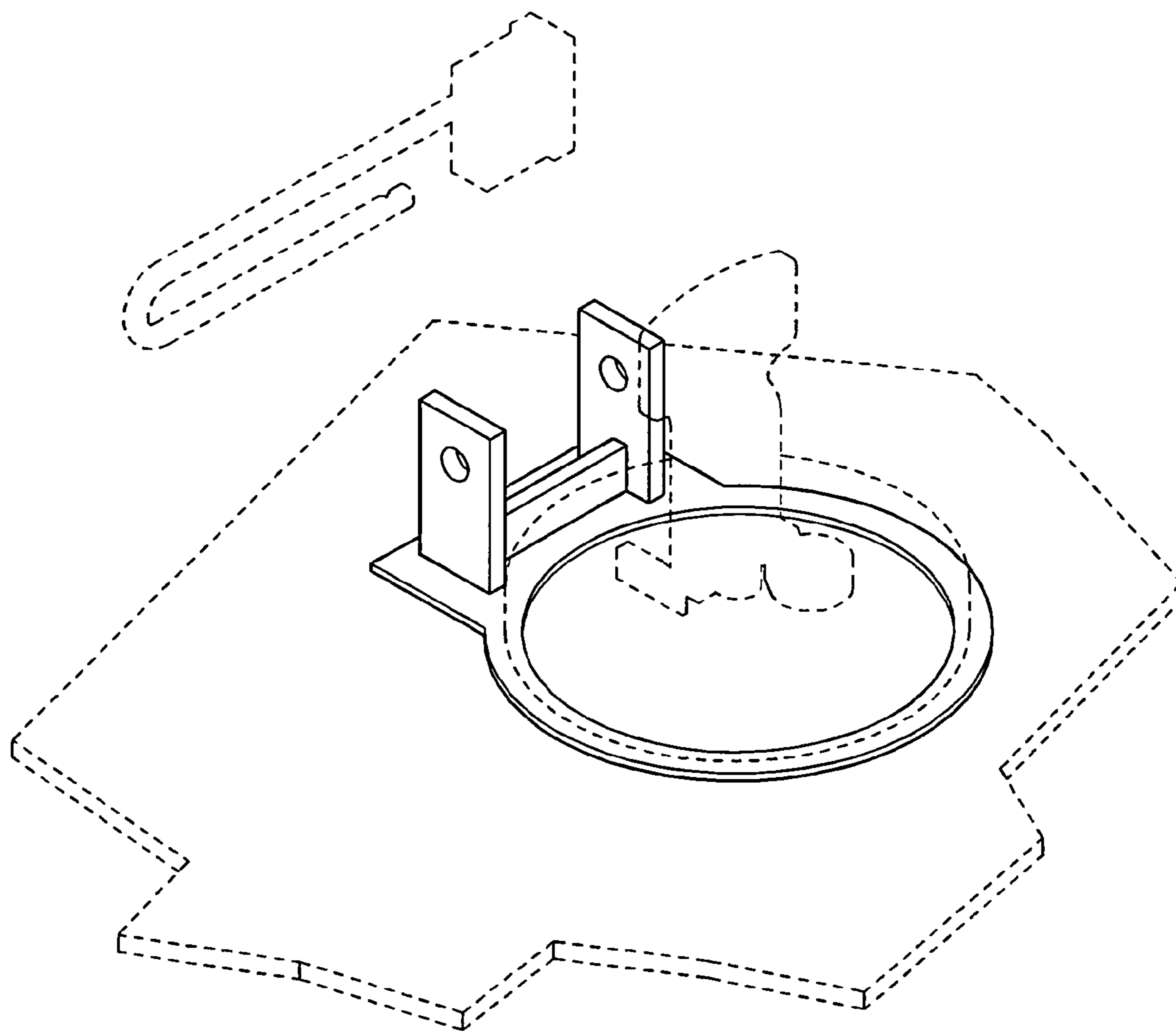


Fig. 9

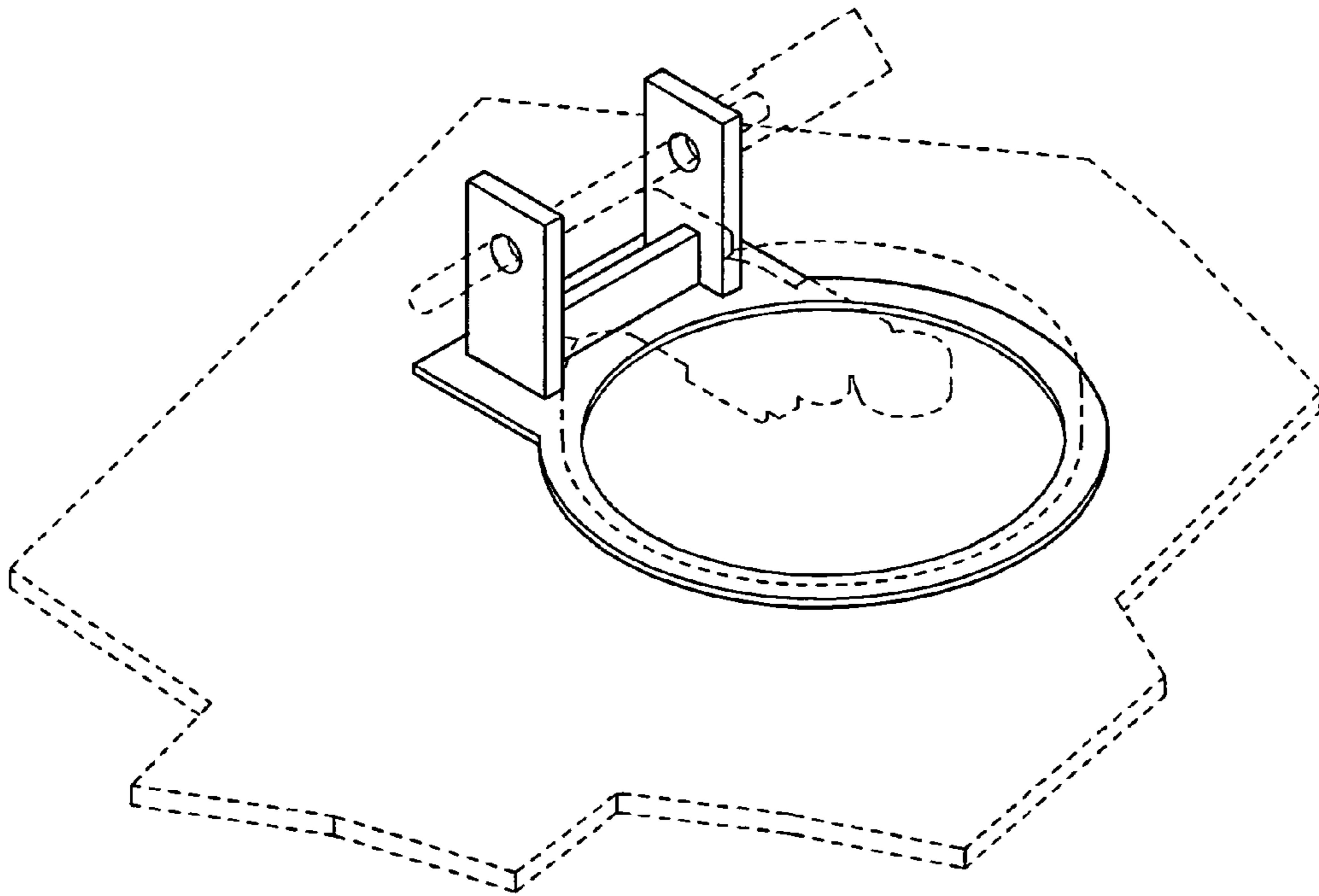


Fig. 10