



US00D708039S

(12) **United States Design Patent**  
**Aispuro et al.**

(10) **Patent No.:** **US D708,039 S**  
(45) **Date of Patent:** **\*\* Jul. 1, 2014**

- (54) **HANDLE WITH ESCUTCHEON**
- (71) Applicant: **S.P.E.P. Acquisition Corp.**, Long Beach, CA (US)
- (72) Inventors: **Tomas Aispuro**, Bellflower, CA (US);  
**Larry Mirick**, Manhattan Beach, CA (US)
- (73) Assignee: **S.P.E.P. Acquisition Corp.**, Long Beach, CA (US)
- (\*\*) Term: **14 Years**
- (21) Appl. No.: **29/461,076**
- (22) Filed: **Jul. 18, 2013**
- (51) **LOC (10) Cl.** ..... **08-06**
- (52) **U.S. Cl.**  
USPC ..... **D8/301; D8/306**
- (58) **Field of Classification Search**  
CPC ..... E05B 1/00  
USPC ..... D8/300, 301, 308, 350, 400; D23/254;  
16/110.1, 412, 416, 430, DIG. 30;  
292/336.3, 347; 70/207  
See application file for complete search history.

(56) **References Cited**

**U.S. PATENT DOCUMENTS**

D61,027 S *	6/1922	Benjamin	.....	D8/352
D131,217 S *	1/1942	Braun	.....	D8/308
D157,612 S *	3/1950	Lueneburg et al.	.....	D7/395
2,729,485 A *	1/1956	Schlage	.....	292/1
D189,524 S *	1/1961	Savage	.....	D8/302
4,042,268 A *	8/1977	Coglan	.....	292/347
D295,947 S *	5/1988	Valli	.....	D8/308
D314,129 S *	1/1991	Zanini	.....	D8/301
D317,706 S *	6/1991	Boeri	.....	D8/308
D318,214 S *	7/1991	Fleming et al.	.....	D8/301
D318,215 S *	7/1991	Fleming	.....	D8/301
D329,188 S *	9/1992	Paul	.....	D8/308
D346,105 S *	4/1994	Shaanan	.....	D8/301
D356,484 S *	3/1995	Scholl	.....	D8/308

5,481,890 A *	1/1996	Millman	.....	70/224
5,718,468 A *	2/1998	Qureshi et al.	.....	292/347
D433,487 S *	11/2000	Milrud et al.	.....	D23/254
D444,694 S *	7/2001	Alvarado	.....	D8/301
D457,050 S *	5/2002	Caspersz	.....	D8/308
6,386,602 B1 *	5/2002	Lan	.....	292/336.3
6,546,765 B1 *	4/2003	Linares	.....	70/210
D492,571 S *	7/2004	Linares	.....	D8/308
D493,088 S *	7/2004	Kelly	.....	D8/302
D495,230 S *	7/2004	Samson et al.	.....	D8/308
D521,354 S *	8/2004	Madlem et al.	.....	D8/301
D529,783 S *	5/2006	Gilbert et al.	.....	D8/308
D532,279 S *	10/2006	Corcino	.....	D8/301
D557,585 S *	11/2006	Bouroullec et al.	.....	D8/308
D568,138 S *	12/2007	Linares	.....	D8/308
D593,840 S *	5/2008	Singtoroj	.....	D8/308
D694,088 S *	6/2009	Roberts, III	.....	D8/308
	11/2013	Le	.....	D8/308

\* cited by examiner

*Primary Examiner* — Paula Greene

(74) *Attorney, Agent, or Firm* — Daniel R. Kimbell; Karish & Bjorgum PC

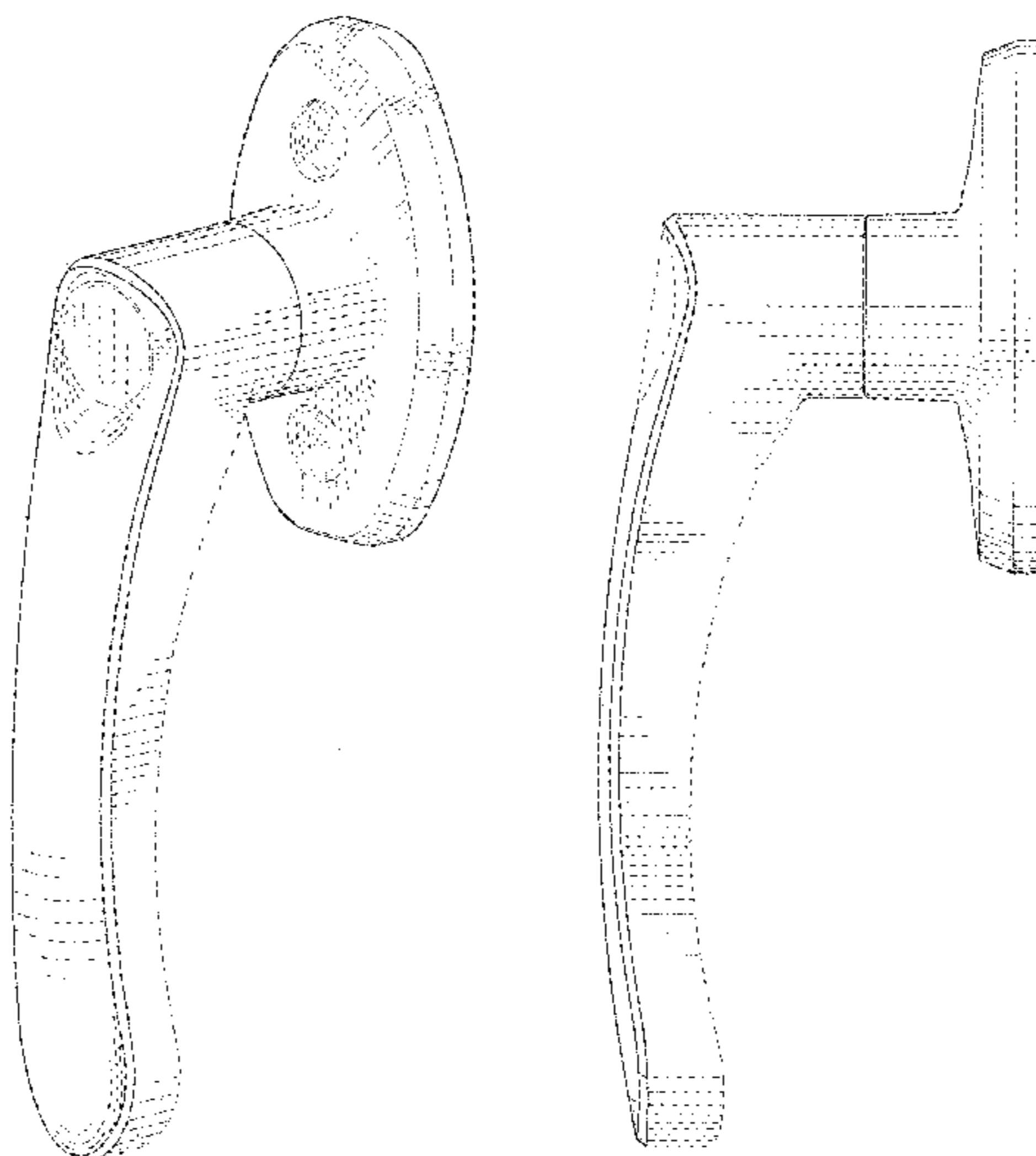
(57) **CLAIM**

The ornamental design for handle with escutcheon, as shown and described.

**DESCRIPTION**

FIG. 1 is front right isometric view of the handle with escutcheon of the invention.  
 FIG. 2 is a front view of the handle with escutcheon of FIG. 1.  
 FIG. 3 is right side view of the handle with escutcheon of FIG. 1.  
 FIG. 4 is left side view of the handle with escutcheon of FIG. 1.  
 FIG. 5 is a top view of the handle with escutcheon of FIG. 1; and,  
 FIG. 6 is a bottom view of the handle with escutcheon of FIG. 1.  
 The features shown in dashed lines form no part of the design and are not claimed.

**1 Claim, 5 Drawing Sheets**



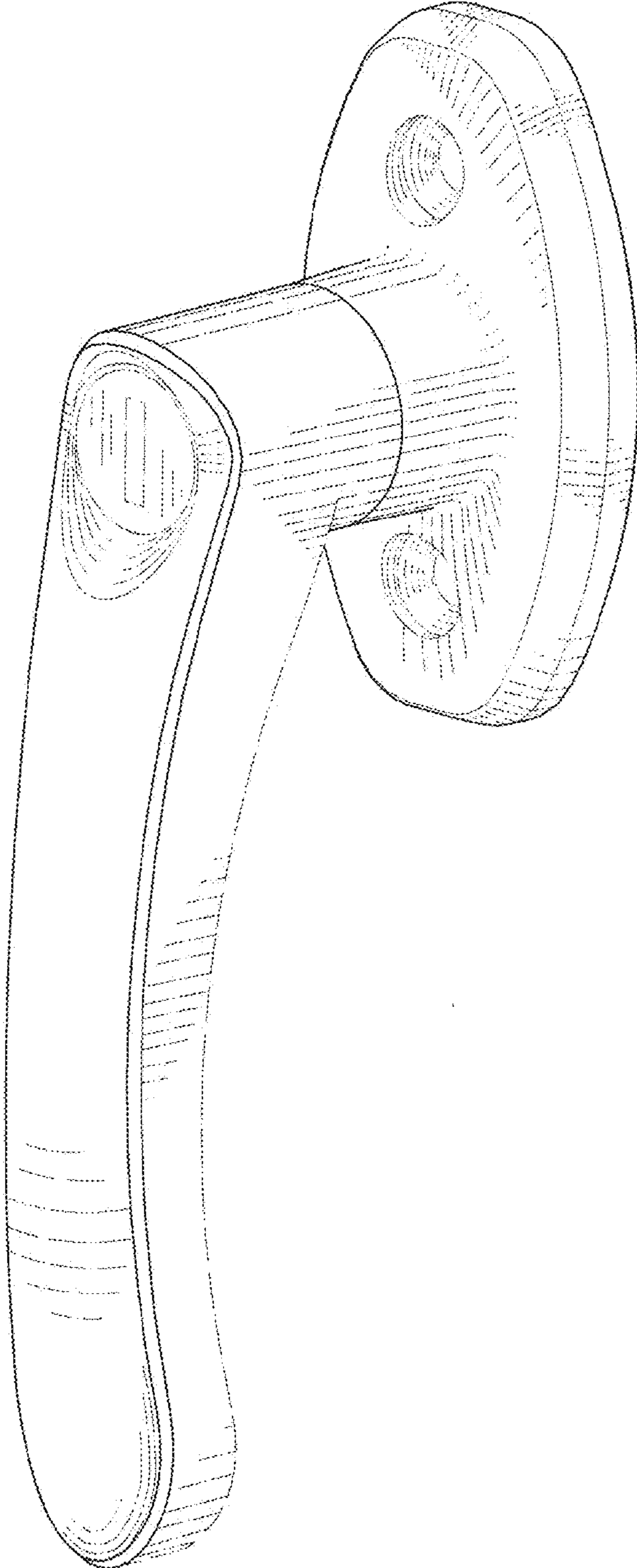
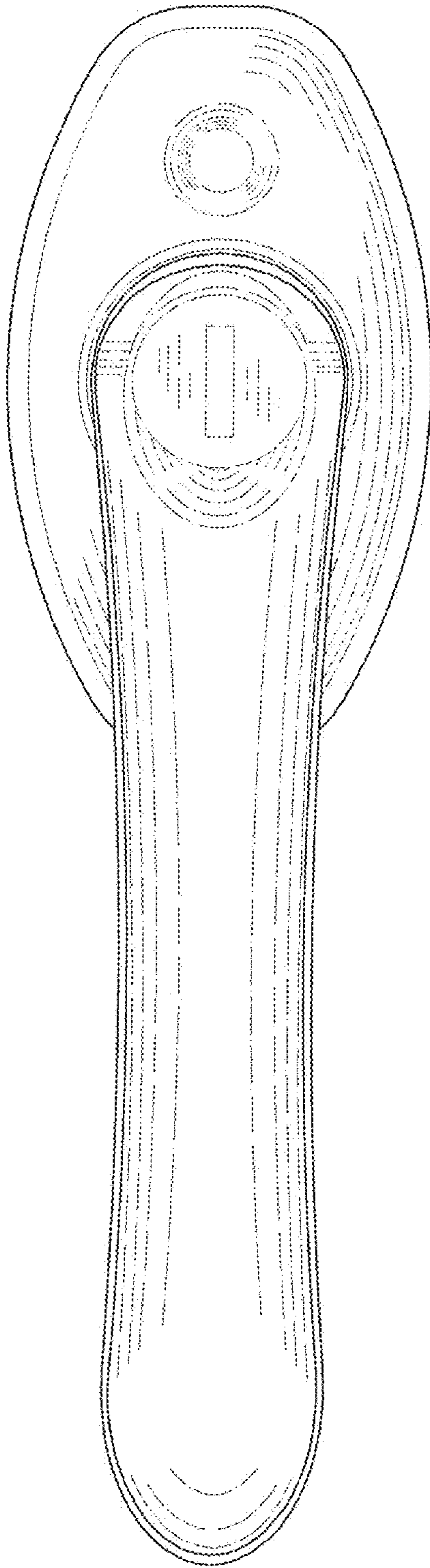
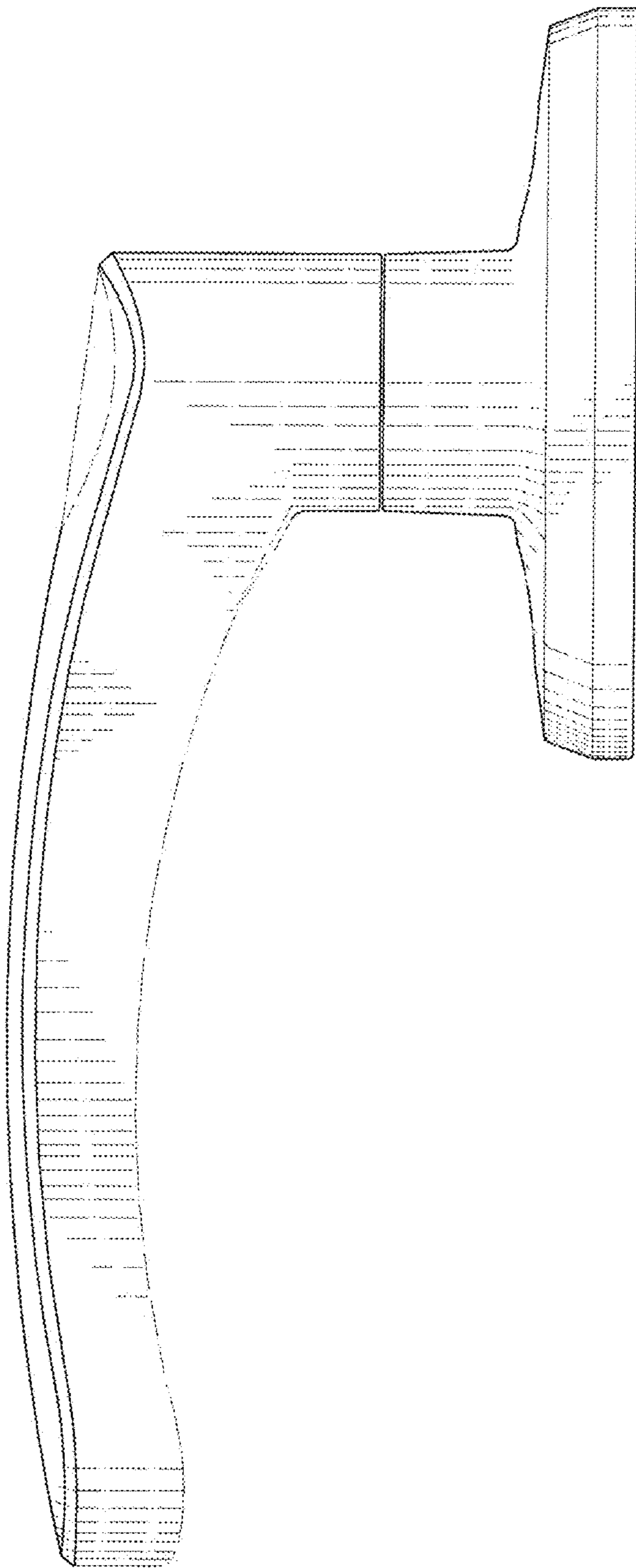


Fig. 1



*Fig. 2*



*Fig. 3*

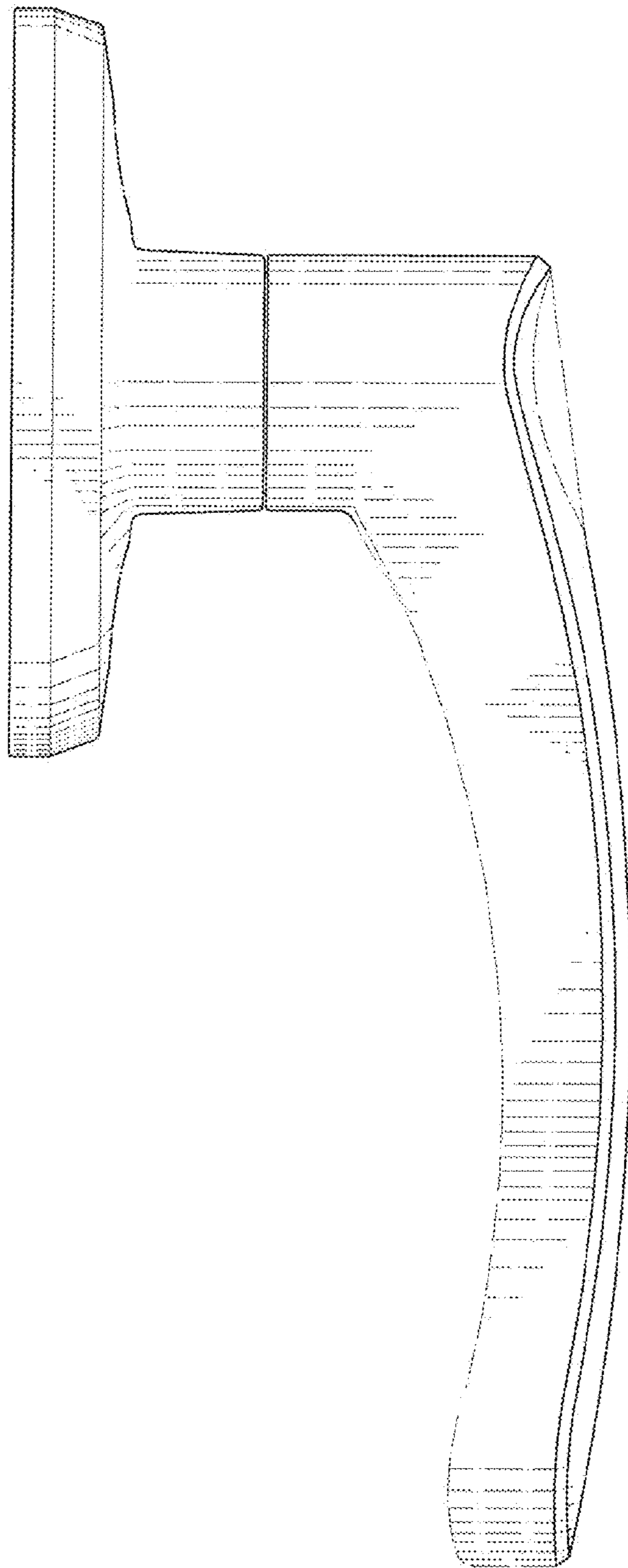
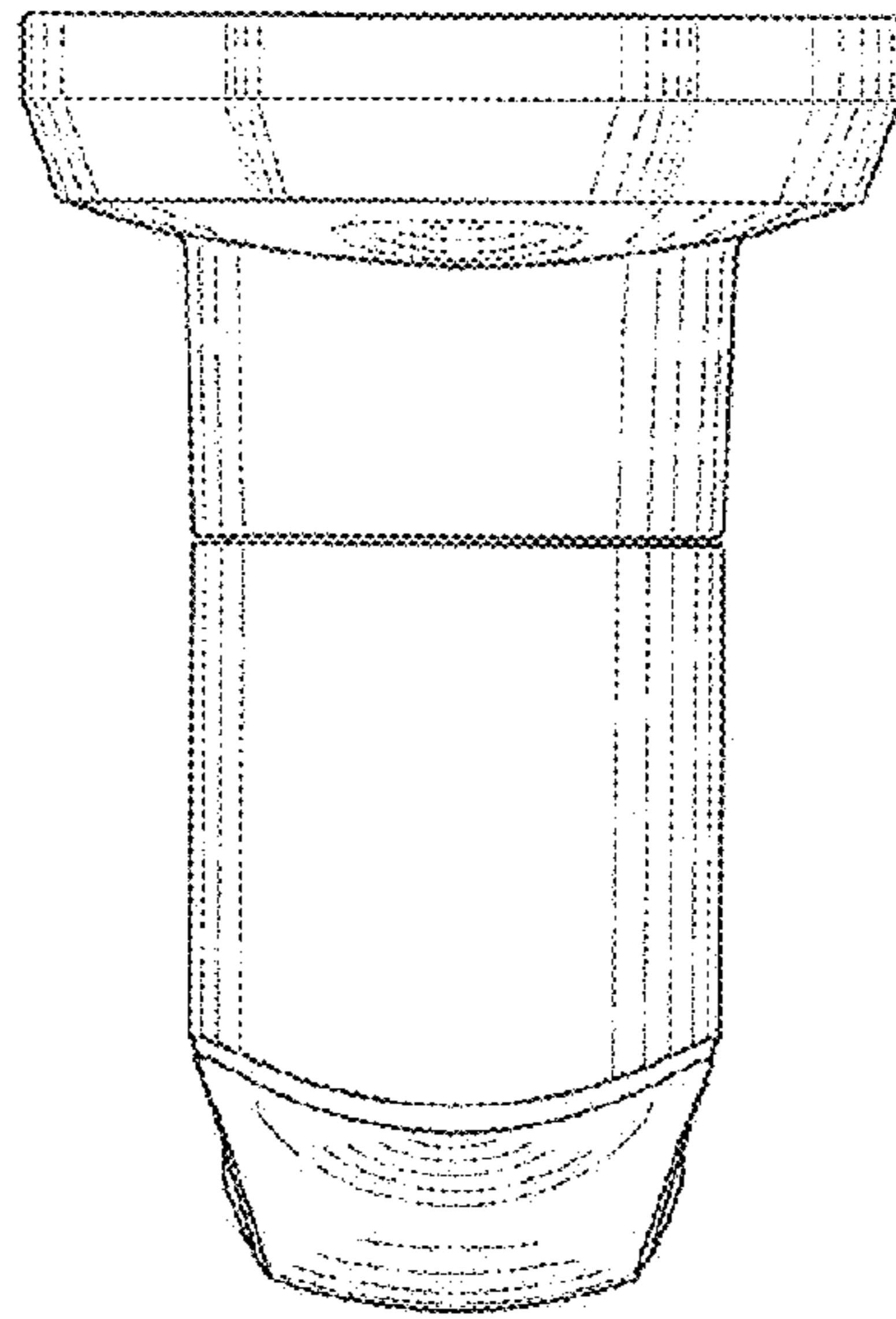
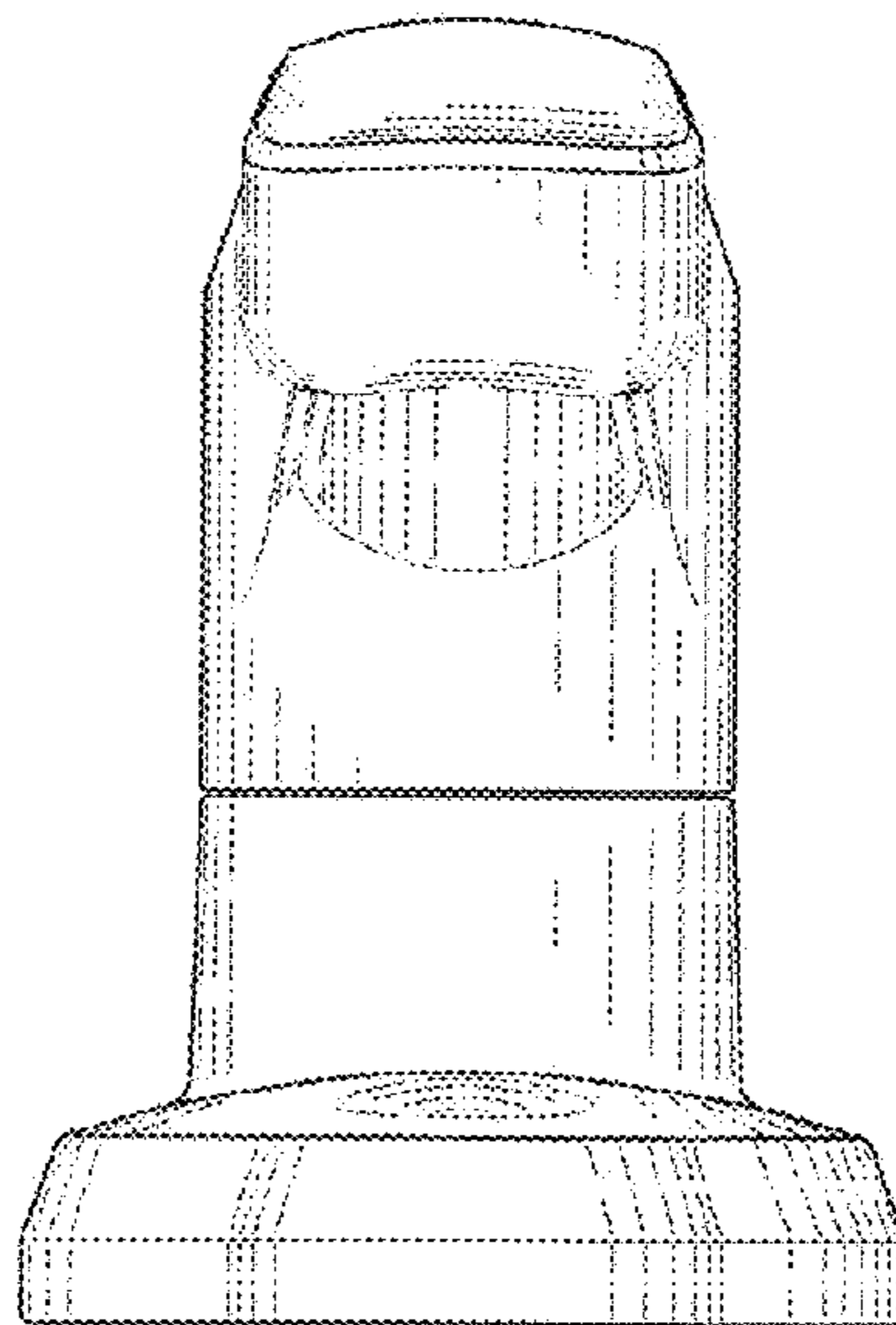


Fig. 4



*Fig. 5*



*Fig. 6*