



US00D708038S

(12) **United States Design Patent**  
**Edson**

(10) **Patent No.:** **US D708,038 S**

(45) **Date of Patent:** **\*\* Jul. 1, 2014**

(54) **HANDLE GRIP**

(71) Applicant: **Greg Edson**, Chicago, IL (US)

(72) Inventor: **Greg Edson**, Chicago, IL (US)

(73) Assignee: **Brollytime, Inc.**, Chicago, IL (US)

(\*\*) Term: **14 Years**

(21) Appl. No.: **29/460,091**

(22) Filed: **Jul. 8, 2013**

(51) **LOC (10) Cl.** ..... **08-06**

(52) **U.S. Cl.**  
USPC ..... **D8/300**

(58) **Field of Classification Search**  
CPC ..... B25G 1/102  
USPC ..... D8/300, 303, 107, 83; D21/665, 682;  
D3/12; 15/167.1; 16/110.1, 421, 422,  
16/430

See application file for complete search history.

(56) **References Cited**

**U.S. PATENT DOCUMENTS**

D16,786 S *	7/1886	Currier	.....	D8/107
829,353 A *	8/1906	Rand	.....	452/17
2,444,558 A *	7/1948	Elliott	.....	294/171
2,603,865 A *	7/1952	Sneed	.....	30/232
2,778,555 A *	1/1957	Poryle	.....	294/146

2,914,785 A *	12/1959	Ela	.....	15/143.1
3,227,455 A *	1/1966	Hulsman	.....	473/206
D223,700 S *	5/1972	Kamins	.....	D8/301
4,493,494 A *	1/1985	Feagin, Jr.	.....	280/821
4,846,519 A *	7/1989	Leonard	.....	294/171
D318,213 S *	7/1991	Cloonan et al.	.....	D34/28
5,060,998 A *	10/1991	Phillips	.....	294/146
D324,455 S *	3/1992	Fasitta et al.	.....	D4/104
D325,508 S *	4/1992	Castricone et al.	.....	D8/300
D368,636 S *	4/1996	Planka et al.	.....	D8/300
6,286,173 B1 *	9/2001	Briones	.....	15/167.1
D486,053 S *	2/2004	Jimenez	.....	D8/97
D573,866 S *	7/2008	Smith	.....	D8/107
D700,034 S *	2/2014	Kessler et al.	.....	D8/300
2013/0180084 A1 *	7/2013	Edson	.....	16/430

\* cited by examiner

*Primary Examiner* — Paula Greene

(74) *Attorney, Agent, or Firm* — Shams, Rodriguez & Mozwez, P.C.

(57) **CLAIM**

The ornamental design for a handle grip, as shown and described.

**DESCRIPTION**

FIG. 1 is a side view of a handle grip, showing my new design; and,

FIG. 2 is a perspective view of a handle grip thereof.

The broken line showing the extended handle rod in FIG. 2 forms no part of the claimed design.

**1 Claim, 1 Drawing Sheet**

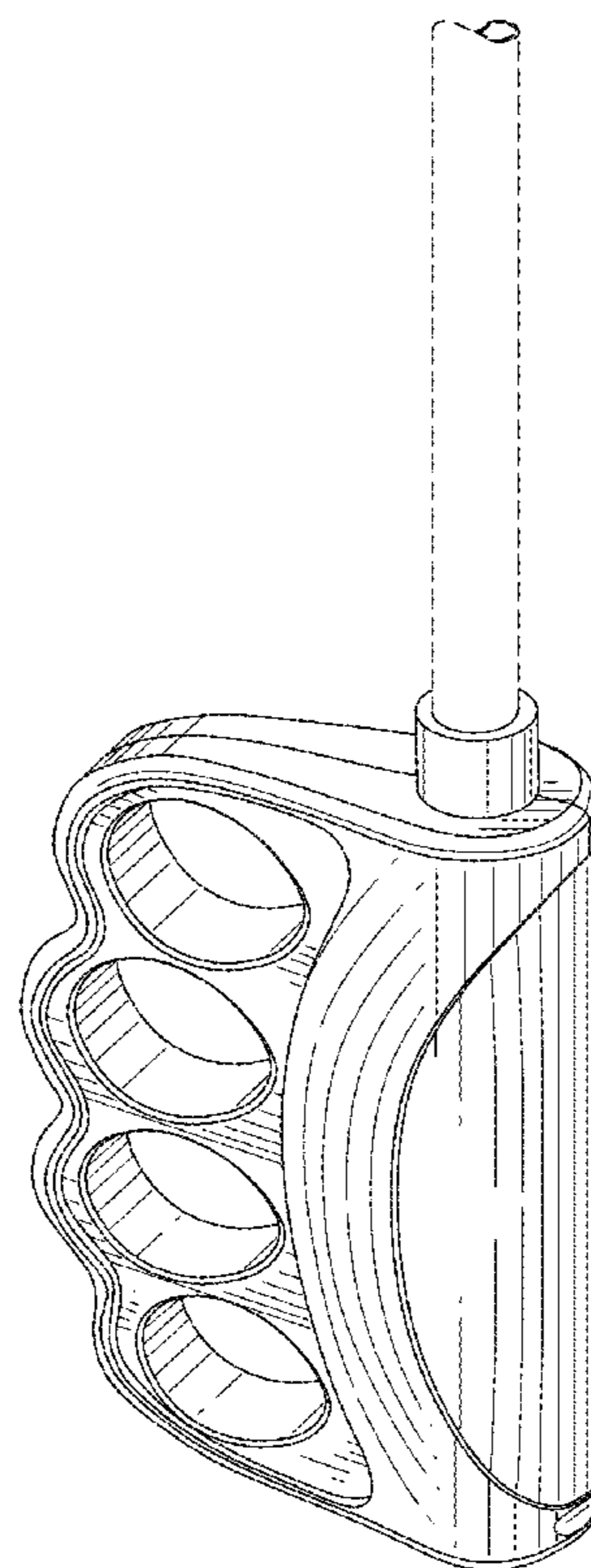


Fig. 1

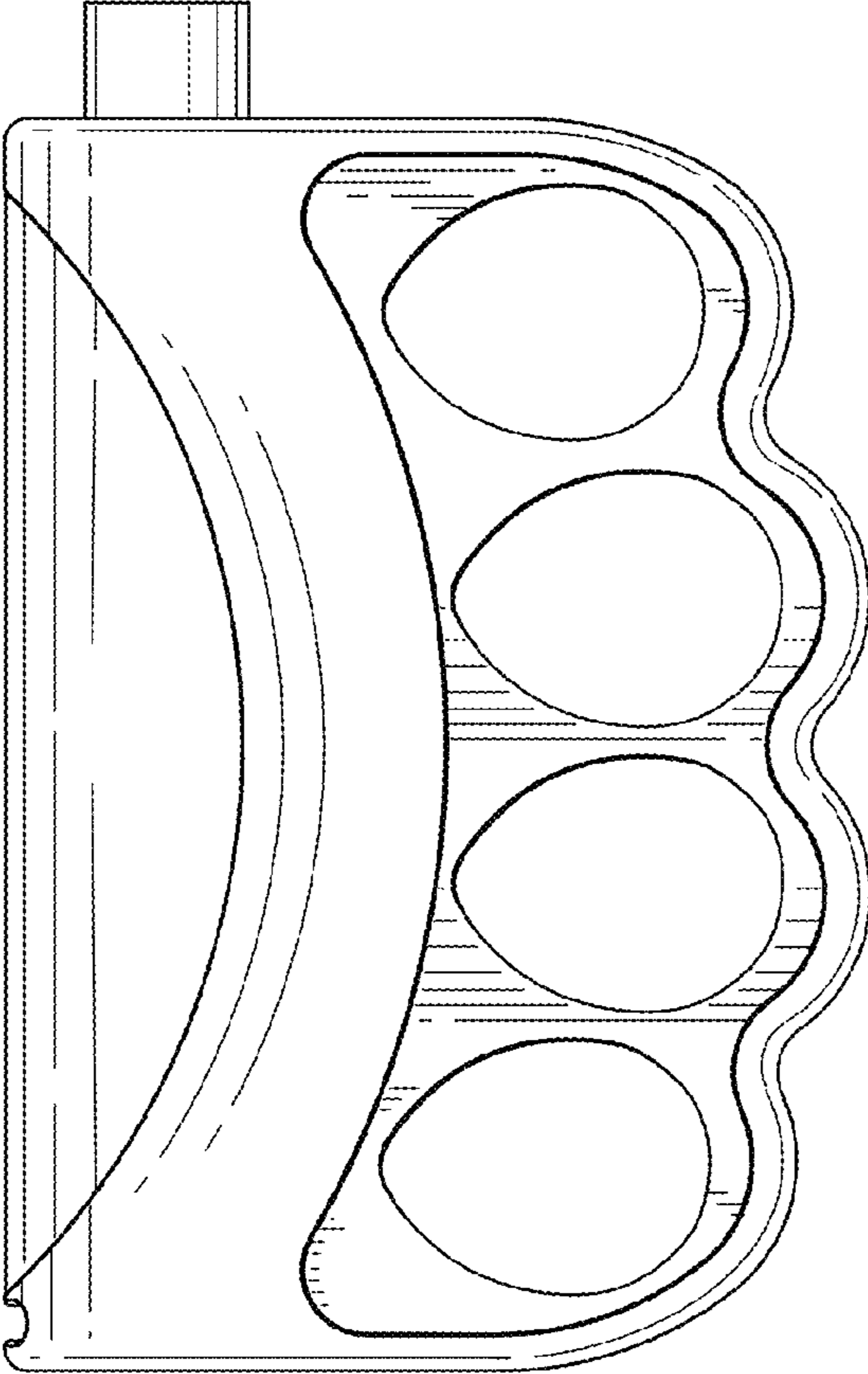


Fig. 2

