



US00D708037S

(12) **United States Design Patent**
Anderson et al.

(10) **Patent No.:** **US D708,037 S**
(45) **Date of Patent:** **** Jul. 1, 2014**

(54) **HANDLE SECTION OF A HAND TOOL**

(71) Applicant: **Apex Brands, Inc.**, Sparks, MD (US)

(72) Inventors: **Alan D. Anderson**, Willow Spring, NC (US); **George R. Thompson**, Willow Spring, NC (US)

(73) Assignee: **Apex Brands, Inc.**, Apex, NC (US)

(**) Term: **14 Years**

(21) Appl. No.: **29/461,672**

(22) Filed: **Jul. 26, 2013**

(51) **LOC (10) Cl.** **08-05**

(52) **U.S. Cl.**
USPC **D8/107**

(58) **Field of Classification Search**
CPC B25B 7/00
USPC D8/107, 5, 4, 52, 58; 30/254, 287, 252, 30/262; 81/427.5, 318, 319, 320, 331; 294/16; 16/110.1, 421, 422, 427, 429, 16/430

See application file for complete search history.

(56) **References Cited**

U.S. PATENT DOCUMENTS

625,896 A * 5/1899 O'Dell 30/252
D194,185 S * 12/1962 Rogers D8/5
D258,930 S * 4/1981 Wahlberg D8/22
D259,913 S * 7/1981 Wahlberg D8/58
D262,090 S * 12/1981 Wahlberg D8/58

D305,858 S * 2/1990 Ishida et al. D8/5
D324,470 S * 3/1992 Grove D8/5
D324,473 S * 3/1992 Chen D8/80
5,267,400 A * 12/1993 Danube et al. 30/250
5,699,617 A * 12/1997 Mock 30/252
6,134,994 A * 10/2000 Gomas 81/427.5
6,270,134 B1 * 8/2001 Lin 294/16

(Continued)

Primary Examiner — Paula Greene

(74) *Attorney, Agent, or Firm* — Coats & Bennett, PLLC

(57) **CLAIM**

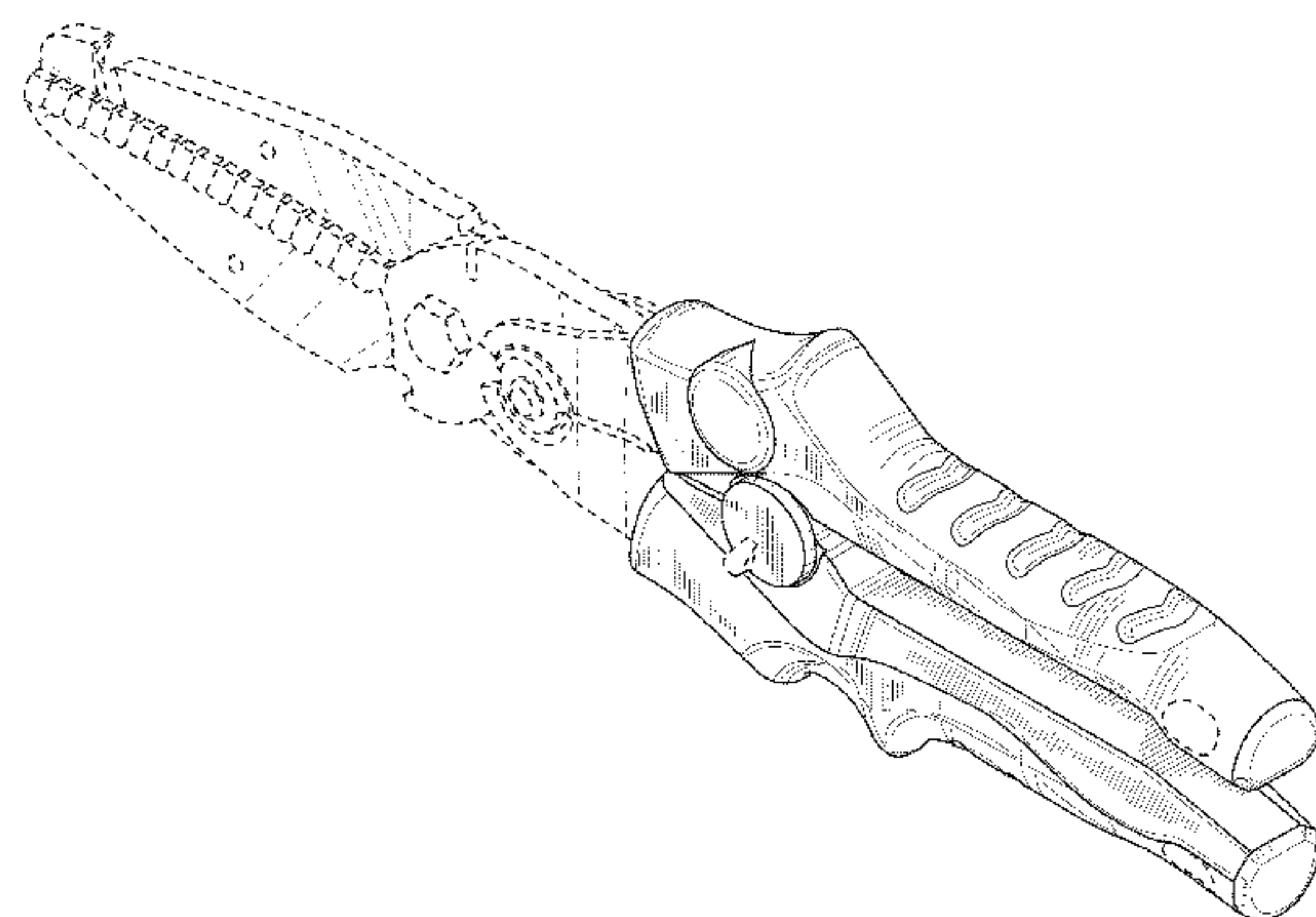
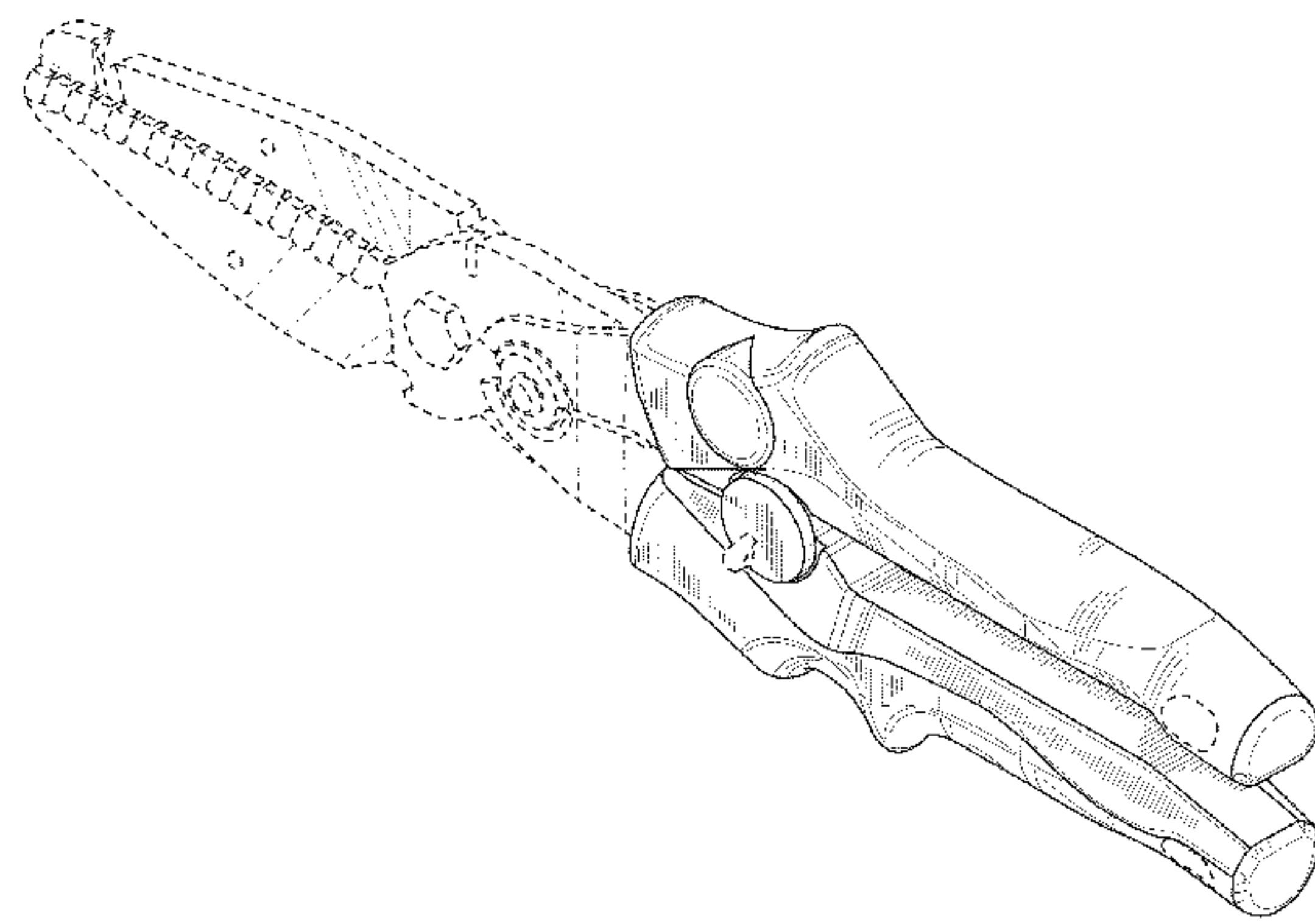
The ornamental design for a handle section of a hand tool, as shown and described.

DESCRIPTION

FIG. 1 is a perspective view of a handle section of a hand tool according to a first embodiment the new design.
FIG. 2 is a right side view of the handle section of FIG. 1.
FIG. 3 is a left side view of the handle section of FIG. 1.
FIG. 4 is a top view of the handle section of FIG. 1.
FIG. 5 is a bottom view of the handle section of FIG. 1.
FIG. 6 is a front view of the handle section of FIG. 1.
FIG. 7 is a rear view of the handle section of FIG. 1.
FIG. 8 is a perspective view of a handle section of a hand tool according to a second embodiment the new design.
FIG. 9 is a right side view of the handle section of FIG. 8.
FIG. 10 is a left side view of the handle section of FIG. 8.
FIG. 11 is a top view of the handle section of FIG. 8.
FIG. 12 is a bottom view of the handle section of FIG. 8.
FIG. 13 is a front view of the handle section of FIG. 8; and, FIG. 14 is a rear view of the handle section of FIG. 8.

The portion of the hand tool shown in broken lines are environmental only and form no part of the claimed design.

1 Claim, 10 Drawing Sheets



(56)

References Cited

U.S. PATENT DOCUMENTS

6,418,626 B1 * 7/2002 Jang 30/262
D486,716 S * 2/2004 Levine et al. D8/107
D503,081 S * 3/2005 Lucas et al. D8/107
D544,770 S * 6/2007 Yang D8/52

D579,745 S * 11/2008 Huang D8/107
D600,092 S * 9/2009 Peterson et al. D8/107
D631,322 S * 1/2011 Wong D8/107
7,930,804 B2 * 4/2011 Cornfield 16/430
2003/0163923 A1 * 9/2003 Schneider et al. 30/262

* cited by examiner

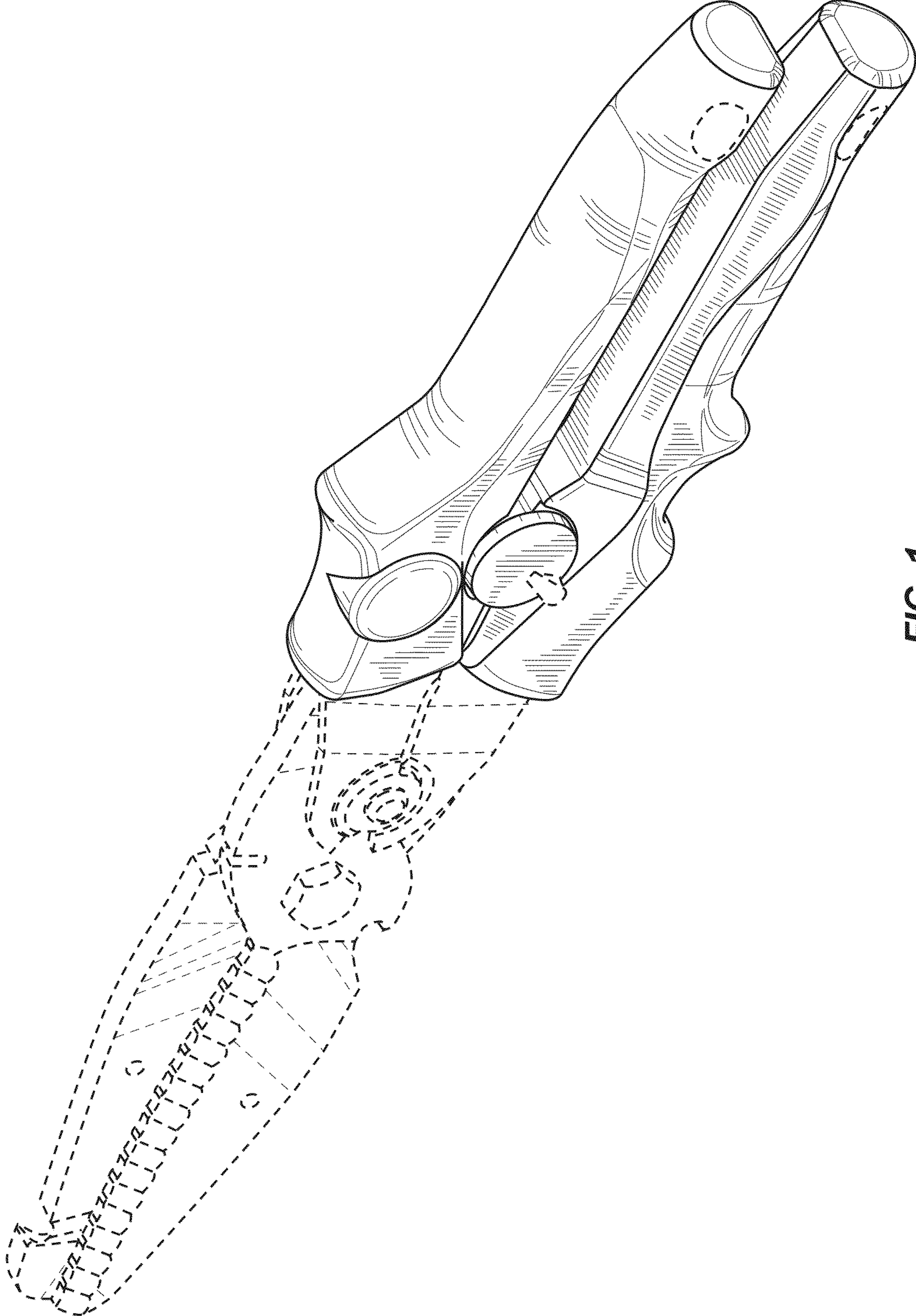


FIG. 1

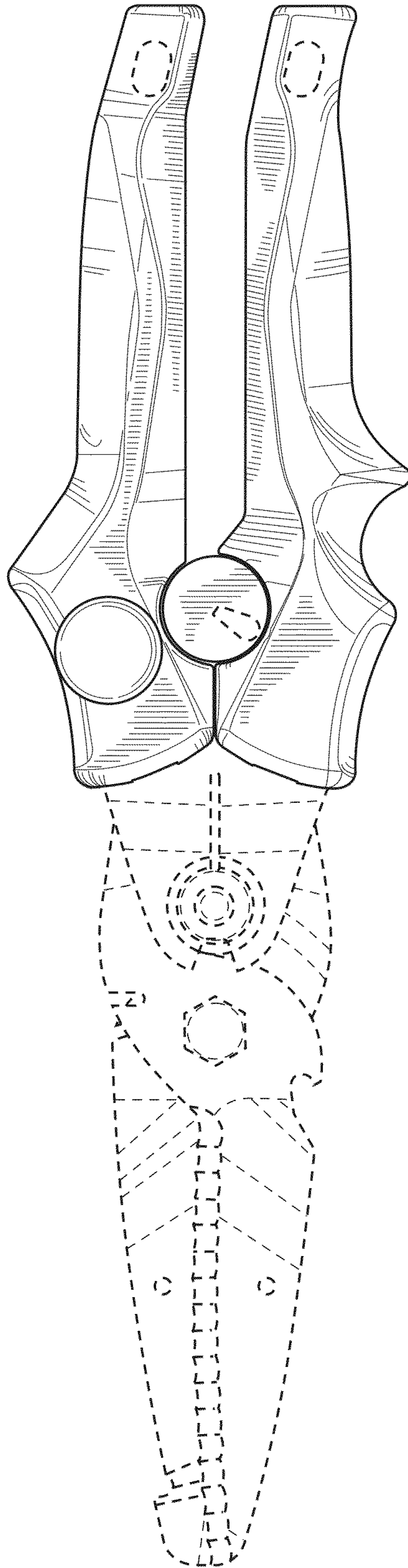


FIG. 2

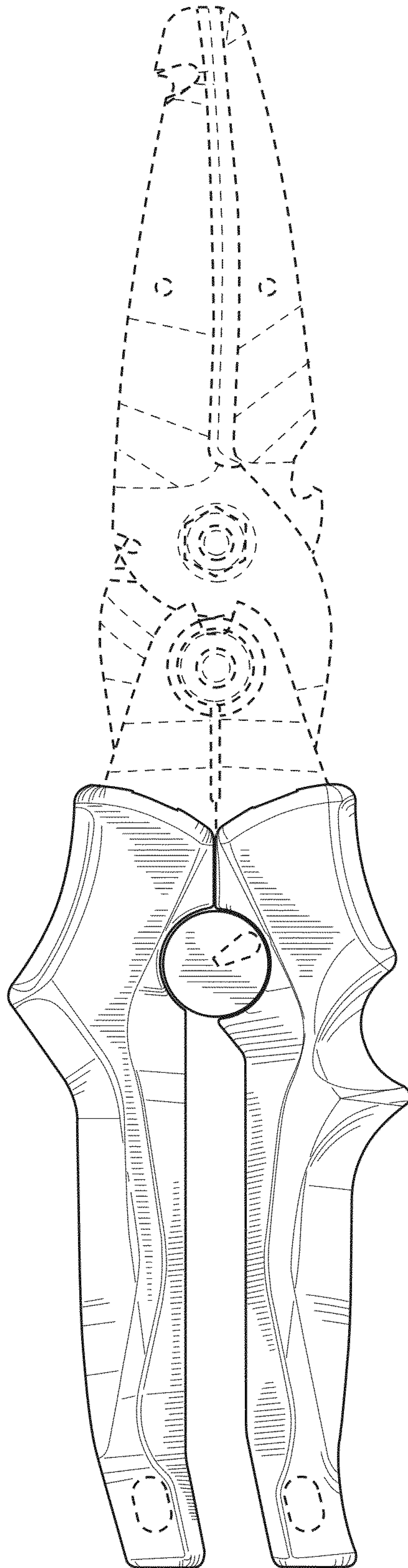


FIG. 3

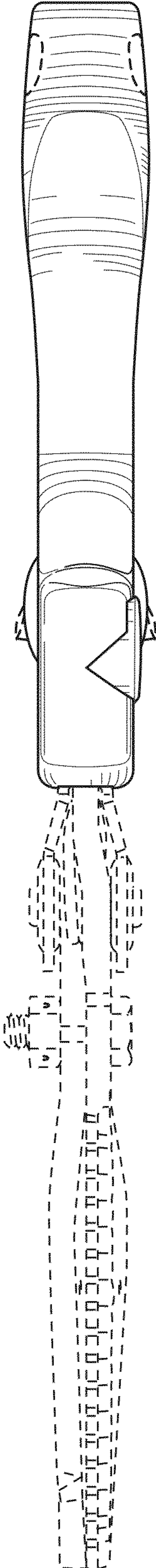


FIG. 4

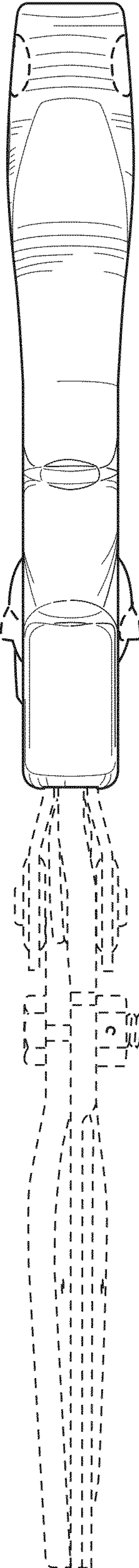


FIG. 5

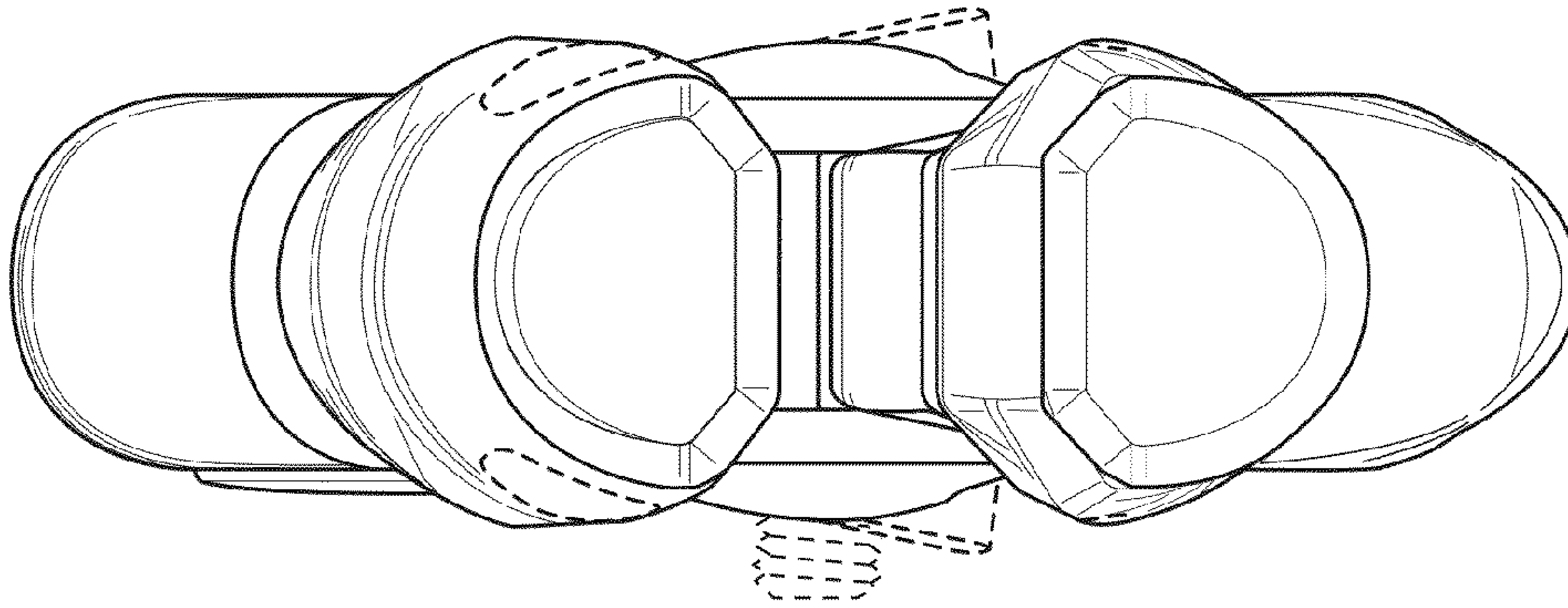


FIG. 7

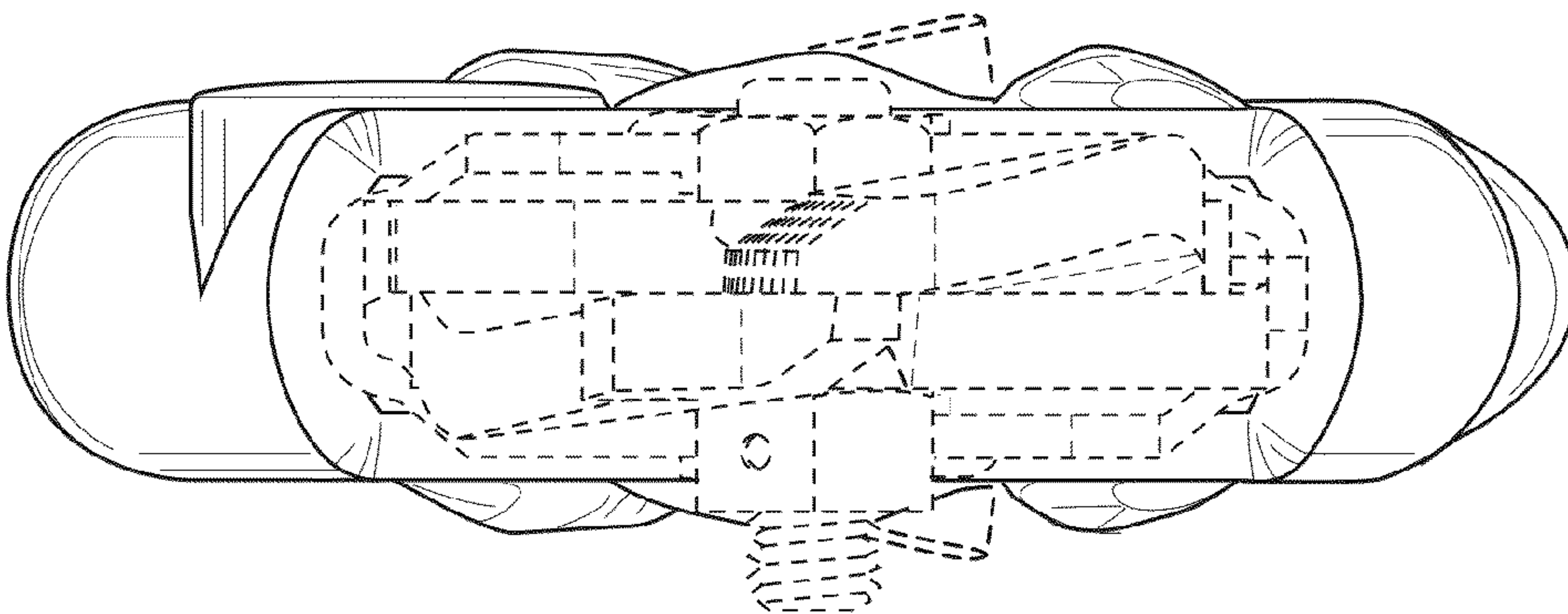


FIG. 6

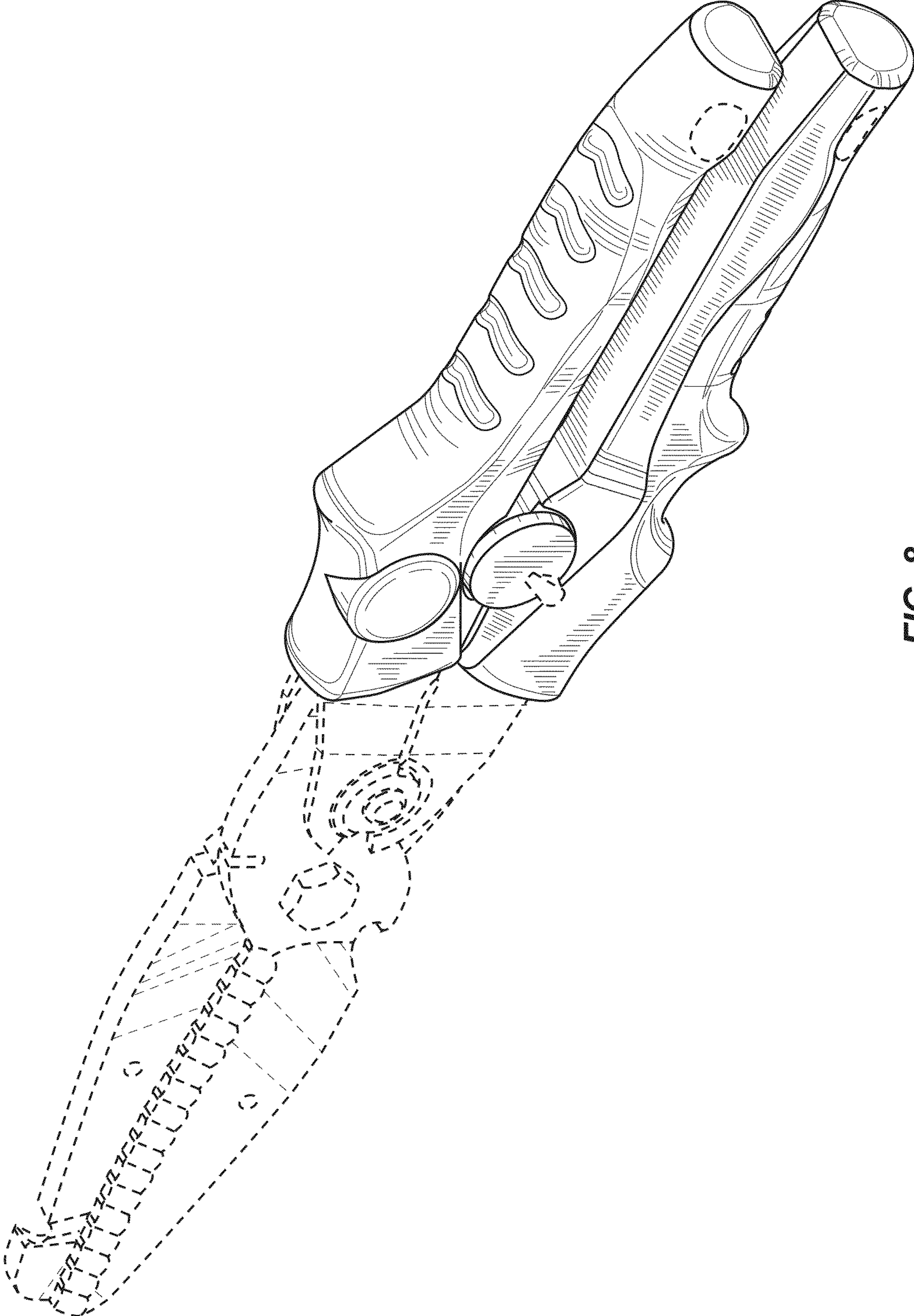


FIG. 8

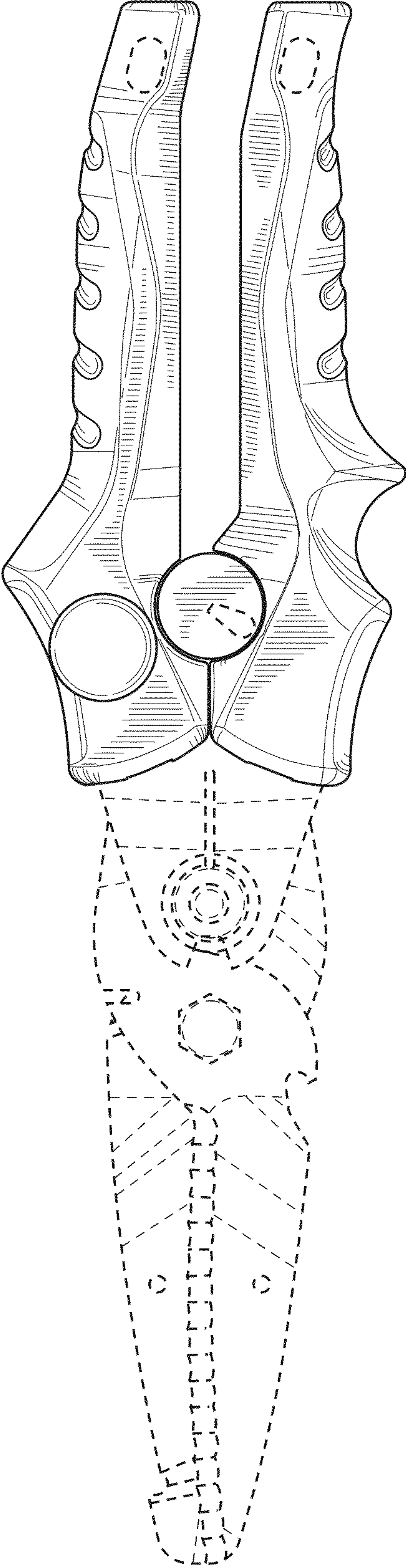


FIG. 9

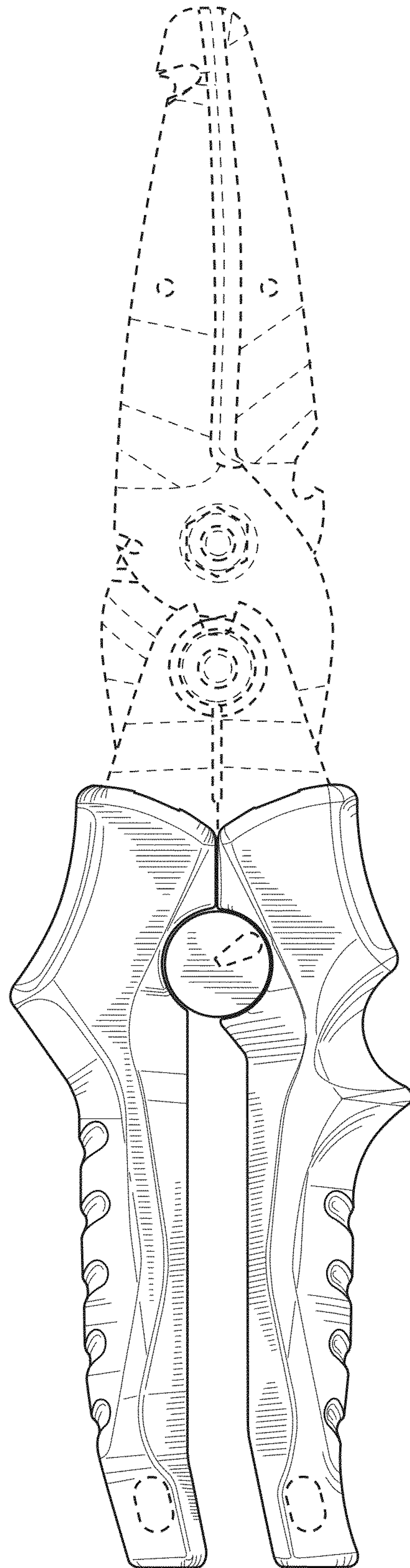


FIG. 10

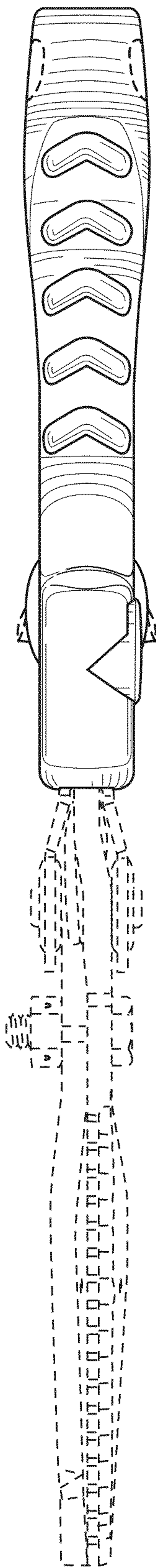


FIG. 11

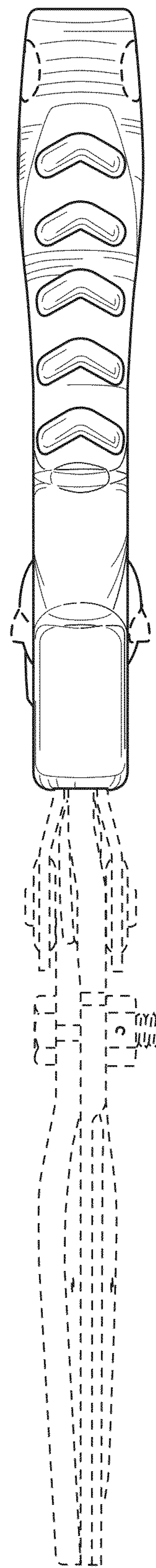


FIG. 12

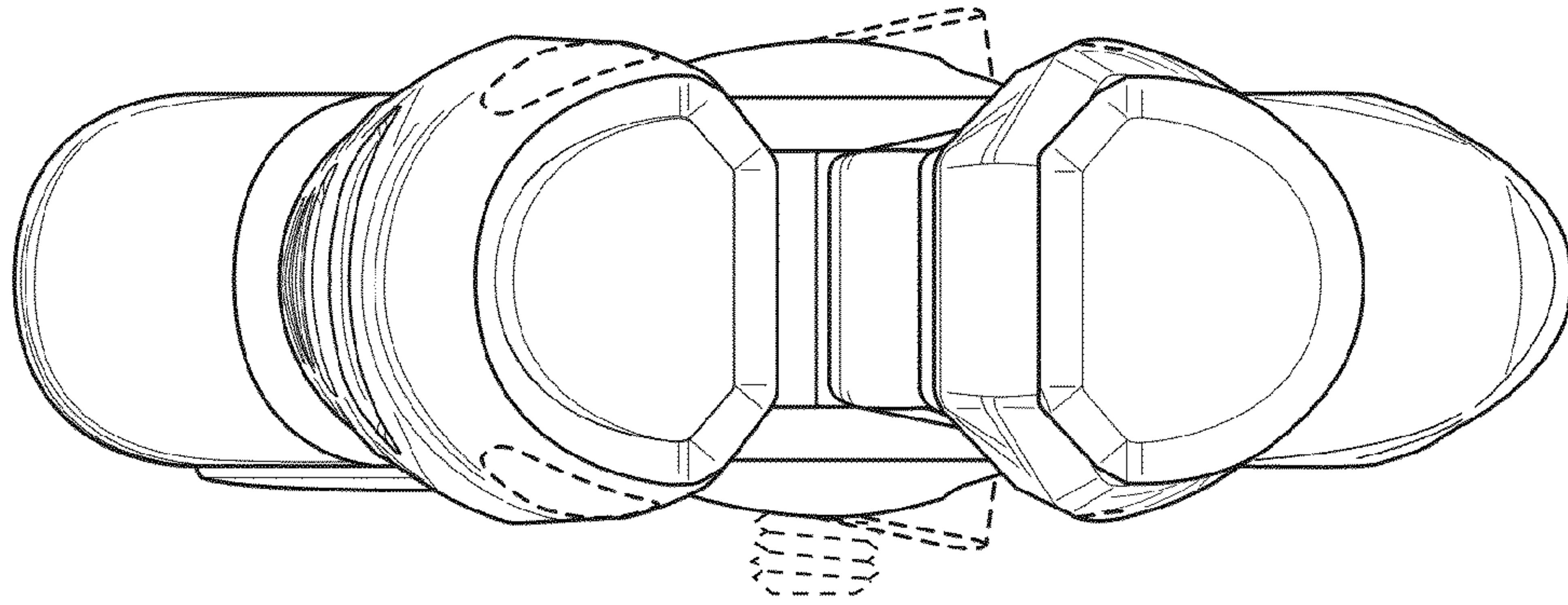


FIG. 14

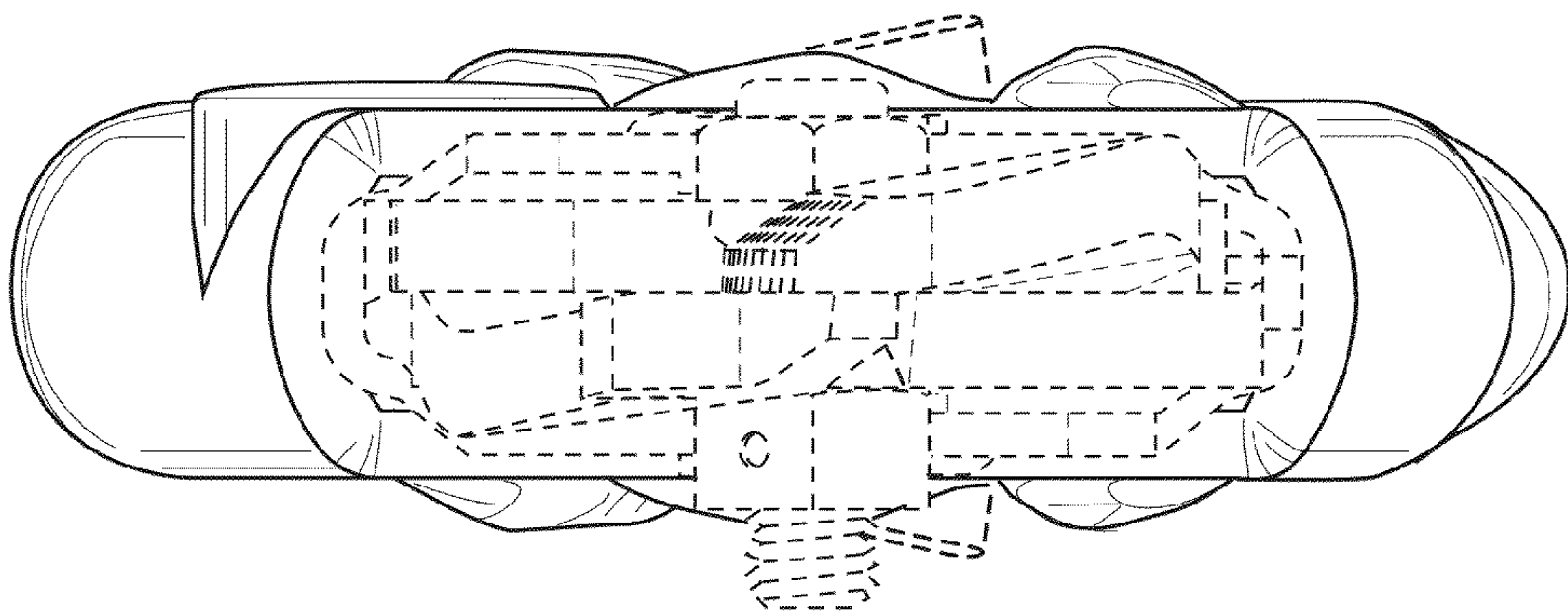


FIG. 13