



US00D708036S

(12) **United States Design Patent**
Johnson et al.

(10) **Patent No.:** **US D708,036 S**

(45) **Date of Patent:** **** *Jul. 1, 2014**

(54) **BIAXIAL FOLDOUT TOOL**

(75) Inventors: **Ronald L. Johnson**, San Jose, CA (US);
Robert J. Gallegos, Fremont, CA (US);
Steven Simas Escobar, San Jose, CA
(US); **Idriss Mansouri-Chafik Ruiz**,
San Jose, CA (US); **Yugen Patrick**
Lockhart, Palo Alto, CA (US)

(73) Assignee: **Wagic, Inc.**, Los Gatos, CA (US)

(*) Notice: This patent is subject to a terminal disclaimer.

(**) Term: **14 Years**

(21) Appl. No.: **29/344,287**

(22) Filed: **Sep. 25, 2009**

Related U.S. Application Data

(63) Continuation-in-part of application No. 12/009,461,
filed on Jan. 17, 2008.

(51) **LOC (10) Cl.** **08-05**

(52) **U.S. Cl.**
USPC **D8/105**

(58) **Field of Classification Search**
USPC D8/99, 58, 55, 21, 52, 356, 107, 105,
D8/57; D19/65; 81/440, 427.5, 436; 7/160,
7/138, 128, 118, 100; 30/298.4, 162,
30/161, 155; D3/294

See application file for complete search history.

(56) **References Cited**

U.S. PATENT DOCUMENTS

244,309 A 7/1881 Le. Rhodes
363,331 A 5/1887 Hammer
364,422 A 6/1887 George Melven Laforge
580,235 A 4/1897 Strum
647,528 A 4/1900 Schmidt

763,745 A 6/1904 Gheen
873,363 A 12/1907 B.F. Ross
875,493 A 12/1907 Michael A. Beard
959,408 A 5/1910 John Volbert
1,000,900 A 8/1911 P. Dorsey
1,006,679 A 10/1911 Rice
1,100,070 A 6/1914 Edward M. Graham
1,172,656 A 2/1916 Yorgensen
1,187,842 A 6/1916 Kaas
D53,597 S 7/1919 J.A. Marcmann
1,337,769 A 4/1920 Hemming
1,398,583 A 11/1921 Bovee

(Continued)

FOREIGN PATENT DOCUMENTS

CA 1 147 176 5/1983
CA 1232781 A 2/1988

(Continued)

Primary Examiner — Austin Murphy

(74) *Attorney, Agent, or Firm* — Haverstock & Owens LLP

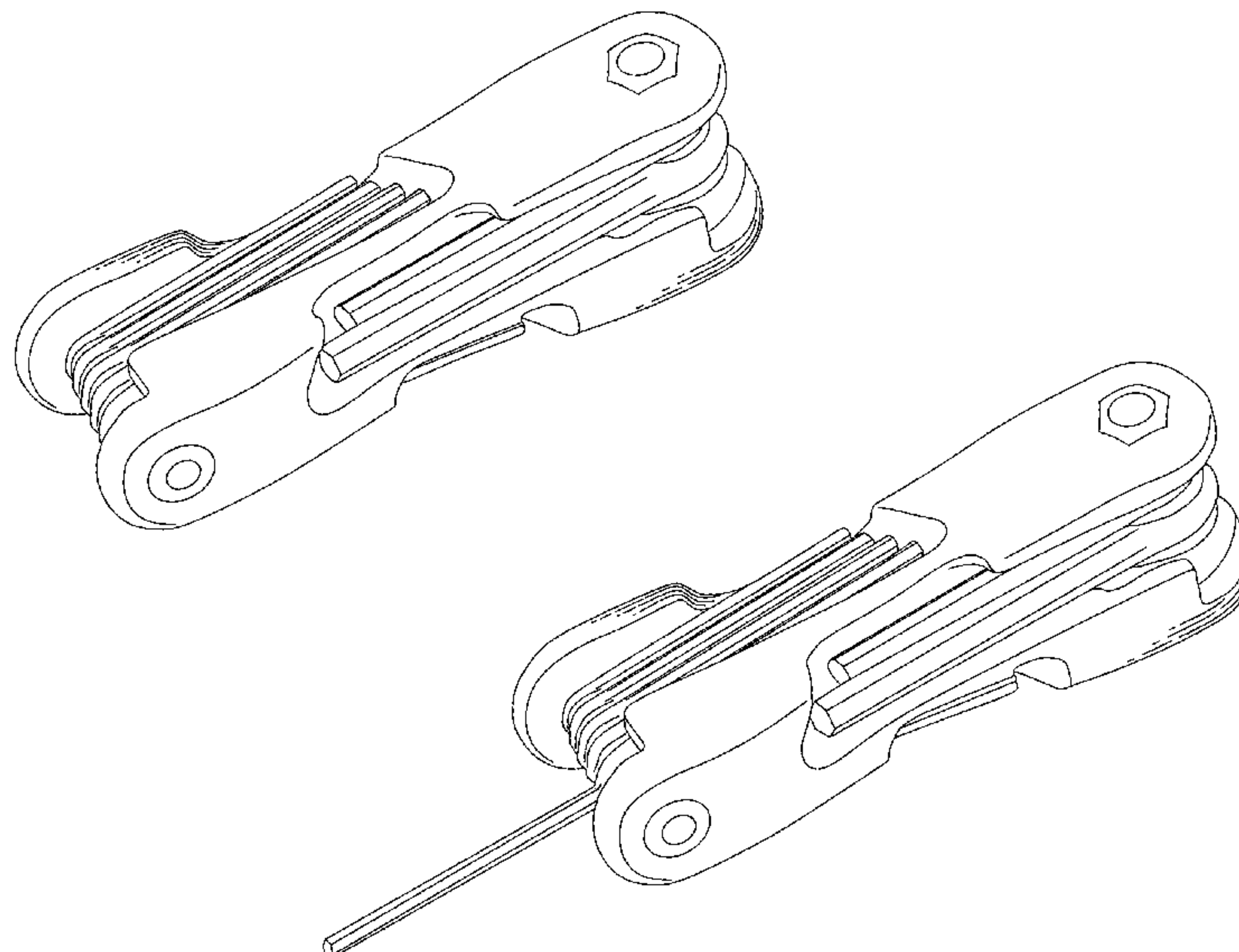
(57) **CLAIM**

We claim the ornamental design for biaxial foldout tool, as shown and described.

DESCRIPTION

FIG. 1 illustrates a top perspective view of the biaxial foldout tool in a closed position;
FIG. 2 illustrates a first side perspective view of the biaxial foldout tool in a closed position;
FIG. 3 illustrates a bottom perspective view of the biaxial foldout tool in a closed position;
FIG. 4 illustrates a second side perspective view of the biaxial foldout tool in a closed position;
FIG. 5 illustrates the top perspective view of the biaxial foldout tool in a 180° open position; and,
FIG. 6 illustrates the top perspective view of the biaxial foldout tool in a 90° open position.

1 Claim, 6 Drawing Sheets



(56)

References Cited

U.S. PATENT DOCUMENTS

1,425,270 A	8/1922	Saxton Joseph Morgan	4,241,773 A	12/1980	Personnat
1,500,852 A	7/1924	Shepard	4,302,990 A	12/1981	Chrichton et al.
1,502,044 A	7/1924	McCann	4,308,770 A	1/1982	MacDonald
1,530,905 A	3/1925	J.T. Nance	4,327,790 A	5/1982	Stevens et al.
1,559,097 A	10/1925	C. Hill	4,384,499 A	5/1983	Shockley
1,753,026 A	4/1930	D. Rosati	D270,024 S	8/1983	Strasser
1,825,936 A	10/1931	Christian Bodmer	4,424,728 A	1/1984	MacDonald
1,888,222 A	11/1932	Curtis et al.	4,448,097 A	5/1984	Rocca
1,915,245 A	6/1933	Harris J. Cook	4,469,109 A	9/1984	Mehl
1,944,606 A	1/1934	Little	4,476,751 A	10/1984	Mishima
1,970,409 A	8/1934	Olaf C. Wiedemann	4,525,889 A	7/1985	Dunau
2,236,333 A	3/1941	Cowles	4,542,667 A	9/1985	Jang
2,332,656 A	10/1943	Mirando	D284,810 S	7/1986	Kelemen, Sr.
2,346,364 A	4/1944	L.H. Dowe	4,699,020 A	10/1987	Bush et al.
D142,982 S	11/1945	S. Bloomfield	4,699,030 A	10/1987	Yang
2,409,613 A	10/1946	Brooks	4,703,673 A	11/1987	Allen
2,410,971 A	11/1946	E.G. Hartley	4,711,353 A	12/1987	Rozmestor
2,465,152 A	3/1949	E.W. Ellison	4,716,795 A	1/1988	Corona et al.
2,465,619 A	3/1949	R.C. Veit	4,716,796 A	1/1988	Corona et al.
2,475,268 A	7/1949	C.R. Wittle	4,767,006 A	8/1988	Wasem
2,485,991 A	10/1949	Austin L. Stowell	4,783,867 A	11/1988	Tsao
D156,677 S	12/1949	B.H. Smith	4,787,276 A	11/1988	Condon
D157,154 S	2/1950	G.M. Horton	4,815,346 A	3/1989	Littlehorn
2,509,507 A	5/1950	Kane	4,819,523 A	4/1989	Souza
2,512,967 A	6/1950	R.L. Quiron	4,819,800 A	4/1989	Wilson
2,530,024 A	11/1950	Moody	4,820,090 A	4/1989	Chen
2,532,636 A	12/1950	G.A. Minnich	D302,102 S	7/1989	Amagaya
2,569,069 A	9/1951	J Motel	4,882,841 A	11/1989	Margolis
2,590,307 A	3/1952	Gibson	4,922,569 A	5/1990	Brinker et al.
2,593,828 A	4/1952	R.G. Arey	4,926,721 A	5/1990	Hsiao
2,604,211 A	7/1952	Steine	D308,462 S	6/1990	Komatsu
2,701,052 A	2/1955	Martel	4,934,223 A	6/1990	Wong
D175,056 S	6/1955	James Wilson	D310,770 S	9/1990	Zamarripa
2,715,028 A	8/1955	Dossie	D311,124 S	10/1990	Learney
2,719,042 A	9/1955	J.R. Epsy	4,960,016 A	10/1990	Seals
2,776,589 A	1/1957	O.M. Gregory	4,974,477 A	12/1990	Anderson
2,778,396 A	1/1957	Swain	4,979,407 A	12/1990	Hernandez et al.
D179,979 S	4/1957	Noga	5,029,707 A	7/1991	Feng
2,800,816 A	7/1957	J.C. Tasciotti	5,036,975 A	8/1991	Chow
2,804,970 A	9/1957	Kuc et al.	5,062,173 A	11/1991	Collins et al.
2,810,472 A	10/1957	Midkiff	5,063,796 A	11/1991	Gennep
2,836,210 A	5/1958	Garofalo	5,065,487 A	11/1991	Yother
2,842,020 A	7/1958	C.S. Tarquinio	5,086,674 A	2/1992	Her
2,844,244 A	7/1958	Hanson	5,146,815 A	9/1992	Scott, III
2,854,741 A	10/1958	A. Chogler	5,147,038 A	9/1992	Pergeau
2,878,701 A	3/1959	A. Weersma	D333,769 S	3/1993	Jureckson
3,023,054 A	6/1960	Shigekuni	D334,516 S	4/1993	Tsunoda
3,061,927 A	11/1962	Von Frankenberg Und Ludwigsdorf	D339,048 S	9/1993	Baum
3,113,479 A	12/1963	G.E. Swingle	5,251,352 A	10/1993	Cullison
3,255,792 A	3/1964	Da Ruben L. Beck	5,263,389 A	11/1993	Frazzell et al.
3,156,143 A	11/1964	Wolf	5,265,504 A	11/1993	Fruhm
3,222,959 A	12/1965	F.G. Clark	D342,433 S	12/1993	Sorenson
3,257,991 A	6/1966	Mosch	5,271,300 A	12/1993	Zurbuchen et al.
D205,745 S	9/1966	Nannfeldt	D343,106 S	1/1994	Eklind et al.
3,342,229 A	9/1967	Janes	5,295,422 A	3/1994	Chow
3,343,434 A	9/1967	Rudolf Schroeder	5,320,004 A	6/1994	Hsiao
3,370,696 A	2/1968	N. Groe	5,329,834 A	7/1994	Wong
3,424,039 A	1/1969	J.J. Scott	5,394,984 A	3/1995	Aiba
3,592,086 A	7/1971	Derwin	D359,671 S	6/1995	Acosta
3,654,975 A	4/1972	Ballsmith et al.	5,450,774 A	9/1995	Chang
3,667,518 A	6/1972	Stillwagon, Jr.	5,450,775 A	9/1995	Kozak
3,802,286 A	4/1974	Winklhofer et al.	5,461,950 A	10/1995	Iwinski
3,863,693 A	2/1975	Carriker	D365,681 S	1/1996	Chow
3,943,801 A	3/1976	Yates	5,480,166 A	1/1996	Milsop
3,958,469 A	5/1976	Meese	5,495,942 A	3/1996	Izhak
3,997,053 A	12/1976	Bondhus	5,499,560 A	3/1996	Aeschliman
4,000,767 A	1/1977	Geng	5,499,562 A	3/1996	Feng
4,043,230 A	8/1977	Scrivens	5,517,885 A	5/1996	Feng
4,124,915 A	11/1978	Schlicher	5,522,291 A	6/1996	Liu
4,154,125 A	5/1979	Frank	5,535,882 A	7/1996	Liu
4,196,761 A	4/1980	Royer	5,542,322 A	8/1996	Knox et al.
4,227,430 A	10/1980	Jansson et al.	D373,943 S	9/1996	Fuhrmann
4,235,269 A	11/1980	Kraus	5,553,340 A	9/1996	Brown, Jr.
4,238,862 A	12/1980	Leatherman	5,566,596 A	10/1996	Lin
			D376,520 S	12/1996	Morin
			5,581,834 A	12/1996	Collins
			D377,444 S	1/1997	Lin
			5,592,859 A	1/1997	Johnson et al.
			D378,797 S	4/1997	Poremba et al.

(56)

References Cited

U.S. PATENT DOCUMENTS

D380,131 S	6/1997	Sung	D455,630 S	4/2002	Chiu
D382,190 S	8/1997	Blackston et al.	6,371,290 B1	4/2002	Yearous et al.
5,653,525 A	8/1997	Park	6,382,057 B1	5/2002	Kienholz
D383,048 S	9/1997	Sorensen et al.	6,389,931 B1	5/2002	Delaney et al.
5,662,013 A	9/1997	Lin	6,397,709 B1	6/2002	Wall
D385,172 S	10/1997	Bramsiepe et al.	6,401,576 B1	6/2002	Wu
D386,955 S	12/1997	Jones et al.	6,405,620 B2	6/2002	Liao
5,692,656 A	12/1997	Dembicks	D459,967 S	7/2002	Johnson et al.
D388,609 S	1/1998	Chan	D461,311 S	8/2002	Gharib
5,711,042 A	1/1998	Chuang	D462,002 S	8/2002	Jean et al.
5,711,194 A	1/1998	Anderson et al.	6,427,564 B1	8/2002	Nelson
D394,792 S	6/1998	Bourque	6,490,954 B2	12/2002	Johnson et al.
D394,794 S	6/1998	Vasudeva	6,510,766 B1	1/2003	Lin
5,758,870 A	6/1998	Weaver	6,510,767 B1	1/2003	Rivera
5,765,247 A	6/1998	Seber et al.	D470,739 S	2/2003	Chen
5,765,454 A	6/1998	Barbulescu et al.	D472,712 S	4/2003	Sagen
5,768,960 A	6/1998	Archuleta	D472,931 S	4/2003	Leins
5,791,211 A	8/1998	Bondhus et al.	6,564,680 B1	5/2003	Rinner et al.
5,803,584 A	9/1998	Chung	6,598,503 B1	7/2003	Cunningham
5,820,288 A	10/1998	Cole	6,601,481 B2 *	8/2003	Chuang 81/440
D400,775 S	11/1998	Hsu	D479,963 S	9/2003	Chang
5,855,274 A	1/1999	Piao	6,634,502 B1	10/2003	Yu
D405,335 S	2/1999	Lin	6,640,675 B1	11/2003	Chuang
5,911,799 A	6/1999	Johnson et al.	6,675,678 B2	1/2004	Liu
5,916,277 A	6/1999	Dallas	6,698,318 B2	3/2004	Peters
5,916,341 A	6/1999	Lin	6,701,813 B2	3/2004	Hu
5,918,513 A	7/1999	Ho	6,739,224 B1	5/2004	Wershe
5,918,741 A	7/1999	Vasudeva	6,751,819 B2	6/2004	Chuang
5,938,028 A	8/1999	Hu	6,751,820 B1	6/2004	Wu
5,970,828 A *	10/1999	Bondhus et al. 81/440	6,752,046 B1	6/2004	Lee
D415,946 S	11/1999	Tsai	6,758,350 B2	7/2004	Lin
5,983,759 A	11/1999	Turner	6,763,744 B2	7/2004	Johnson et al.
5,992,626 A	11/1999	Anderson	D494,438 S	8/2004	Falkenstein et al.
D420,885 S	2/2000	Lin	6,799,490 B1	10/2004	Chu
6,032,332 A	3/2000	Lin	6,877,186 B2	4/2005	Shiao
6,032,796 A	3/2000	Hopper et al.	6,898,998 B2	5/2005	Shyu
6,044,973 A	4/2000	Vasudeva	6,901,826 B2	6/2005	Huang
D426,449 S	6/2000	Eklind	6,918,323 B2	7/2005	Arnold et al.
D426,450 S	6/2000	Eklind	6,922,870 B2	8/2005	Tontz, Sr.
D427,875 S	7/2000	Chiu	6,925,910 B2	8/2005	Alford
6,085,620 A	7/2000	Anderson et al.	6,928,908 B1	8/2005	Yu
6,088,861 A	7/2000	Sessions et al.	6,935,211 B2	8/2005	Chen
6,089,133 A	7/2000	Liao	6,941,843 B2	9/2005	Johnson et al.
6,092,656 A	7/2000	Ernst	6,948,406 B1	9/2005	Li
6,095,018 A	8/2000	Schuster	6,968,758 B2	11/2005	Lin
6,105,767 A	8/2000	Vasudeva	D517,391 S	3/2006	Leins
6,119,560 A	9/2000	Anderson et al.	7,028,593 B1	4/2006	Lin et al.
6,128,981 A	10/2000	Bondhus et al.	7,047,847 B2 *	5/2006	Chuang 81/440
D433,613 S	11/2000	Jialin	7,051,626 B1	5/2006	Chen
D433,910 S	11/2000	Oliver et al.	7,051,629 B2	5/2006	Huang
6,151,998 A	11/2000	Fu-Hui	D523,637 S	6/2006	Chang
D435,415 S	12/2000	Johnson et al.	7,073,418 B2	7/2006	Kuo
6,164,172 A	12/2000	Huang	7,080,582 B2	7/2006	Karle
D435,773 S	1/2001	Lin	7,086,314 B2	8/2006	Wannop
D437,541 S	2/2001	Hermansen et al.	7,093,519 B1	8/2006	Huang
D437,763 S	2/2001	Oliver et al.	D527,903 S	9/2006	Chan
6,186,785 B1	2/2001	Rogers et al.	7,100,476 B1	9/2006	Feit
6,202,864 B1	3/2001	Ernst et al.	7,131,358 B2	11/2006	Hsien
6,206,189 B1	3/2001	Huot, Jr. et al.	7,140,280 B2	11/2006	Hawkins et al.
D440,852 S	4/2001	Ernst	7,143,669 B2	12/2006	Hu
6,233,769 B1	5/2001	Seber et al.	7,150,208 B2	12/2006	Debley
6,237,451 B1	5/2001	Wei	7,159,260 B2	1/2007	Hansen
6,257,106 B1	7/2001	Anderson et al.	7,159,491 B1	1/2007	Chaconas et al.
6,260,453 B1	7/2001	Anderson et al.	7,165,479 B1	1/2007	Lee
6,279,434 B1	8/2001	Brown	7,168,345 B1	1/2007	Hsieh
6,279,435 B1	8/2001	Zayat, Jr.	7,182,003 B1	2/2007	Hsieh
D448,267 S	9/2001	Jean et al.	7,185,565 B1	3/2007	Hu
6,308,599 B1	10/2001	Fu-Hui	7,216,569 B2	5/2007	Abdelgany
6,311,587 B1	11/2001	Johnson et al.	7,237,463 B1	7/2007	Lee
6,314,838 B2	11/2001	Wall	D548,464 S	8/2007	Lin
6,318,218 B1	11/2001	Anderson et al.	D549,069 S	8/2007	Lin et al.
6,332,381 B1	12/2001	Vasudeva	7,281,454 B2	10/2007	Johnson et al.
6,345,557 B1	2/2002	Kuo	7,284,466 B1	10/2007	Ho et al.
D454,766 S	3/2002	Lin	D557,099 S	12/2007	Lin et al.
6,357,068 B1	3/2002	Seber et al.	7,305,908 B2	12/2007	Chi et al.
			7,409,894 B1	8/2008	Valentine
			7,467,574 B1	12/2008	Lin
			7,467,575 B2	12/2008	Lai
			7,565,852 B2	7/2009	Yu

(56)

References Cited

U.S. PATENT DOCUMENTS

7,600,640 B2 10/2009 Hallee et al.
D604,509 S 11/2009 Andrews
7,698,972 B2 4/2010 Hi
7,743,685 B2 6/2010 Chang
D622,125 S 8/2010 Robinson
D623,037 S * 9/2010 Johnson et al. D8/105
7,810,415 B2 10/2010 Adamany et al.
7,836,534 B2 11/2010 Simmons
7,846,203 B2 12/2010 Cribier
7,946,203 B2 5/2011 Johnson et al.
8,011,277 B2 9/2011 Johnson et al.
8,015,642 B1 9/2011 Oakley
D650,257 S 12/2011 Royes et al.
8,336,428 B2 12/2012 Johnson et al.
8,468,916 B2 * 6/2013 Johnson et al. 81/440
8,613,121 B1 12/2013 White
2001/0005576 A1 6/2001 Rogers et al.
2001/0045145 A1 11/2001 Legg
2003/0047474 A1 3/2003 Dahlson
2003/0126957 A1 7/2003 Huang
2003/0188610 A1 10/2003 Lin
2003/0226428 A1 12/2003 Liu
2004/0050218 A1 3/2004 Napoli
2004/0173061 A1 9/2004 Liou
2004/0262344 A1 12/2004 White
2005/0011318 A1 1/2005 Tsai
2005/0199108 A1 9/2005 Jheng
2005/0229752 A1 10/2005 Nickipuck
2005/0247587 A1 11/2005 Holland-Letz
2005/0268752 A1 12/2005 Johnson et al.
2005/0268754 A1 12/2005 Fa
2005/0284267 A1 12/2005 Liao
2006/0042428 A1 3/2006 Chuang
2006/0101955 A1 5/2006 Chang
2006/0118500 A1 6/2006 Chen
2006/0150784 A1 7/2006 Hsieh
2006/0213059 A1 9/2006 Eggert
2006/0254396 A1 11/2006 Hu
2006/0288531 A1 12/2006 Hu
2006/0288823 A1 12/2006 Schepman
2007/0023306 A1 2/2007 Lai
2007/0044598 A1 3/2007 Frohm et al.
2007/0056117 A1 3/2007 Gardiner et al.
2007/0056872 A1 3/2007 Begim
2007/0151402 A1 7/2007 Schneeman et al.

2007/0221017 A1 9/2007 Heaven
2007/0228672 A1 10/2007 Huang
2007/0245862 A1 10/2007 Gonzalez et al.
2007/0295171 A1 12/2007 Johnson et al.
2008/0128370 A1 6/2008 Shih
2008/0148909 A1 6/2008 Lai
2008/0156754 A1 7/2008 Cheng
2008/0164171 A1 7/2008 Meng
2008/0190249 A1 8/2008 Yu
2008/0202963 A1 8/2008 Liao
2008/0223179 A1 9/2008 Nash et al.
2008/0251402 A1 10/2008 Chiu
2008/0256816 A1 10/2008 Consentino
2008/0271573 A1 11/2008 Lown et al.
2008/0295657 A1 12/2008 Cluthe
2009/0107303 A1 4/2009 Steinweg et al.
2009/0183608 A1 7/2009 Johnson et al.
2009/0183609 A1 7/2009 Johnson et al.
2009/0241740 A1 10/2009 Heagerty
2011/0000024 A1 1/2011 Johnson et al.
2012/0012485 A1 1/2012 Wang

FOREIGN PATENT DOCUMENTS

CN 2628230 Y 7/2004
DE 464002 8/1928
DE 24 53 480 5/1976
DE 37 44 176 8/1989
DE 102004011892 1/2005
EP 503 559 9/1992
EP 618 046 10/1994
EP 01693163 2/2006
EP 01777042 4/2007
FR 787 512 9/1935
GB 856 223 12/1960
JP 55-045442 U 3/1980
JP 57-13165 1/1982
JP 61136778 6/1986
JP 3-47775 5/1991
JP 03103162 10/1991
JP 4-29368 3/1992
JP 5-31882 4/1993
JP 08505812 6/1996
WO 83/01406 4/1983
WO 9412322 A1 6/1994
WO 9623631 8/1996
WO 97/29887 8/1997

* cited by examiner

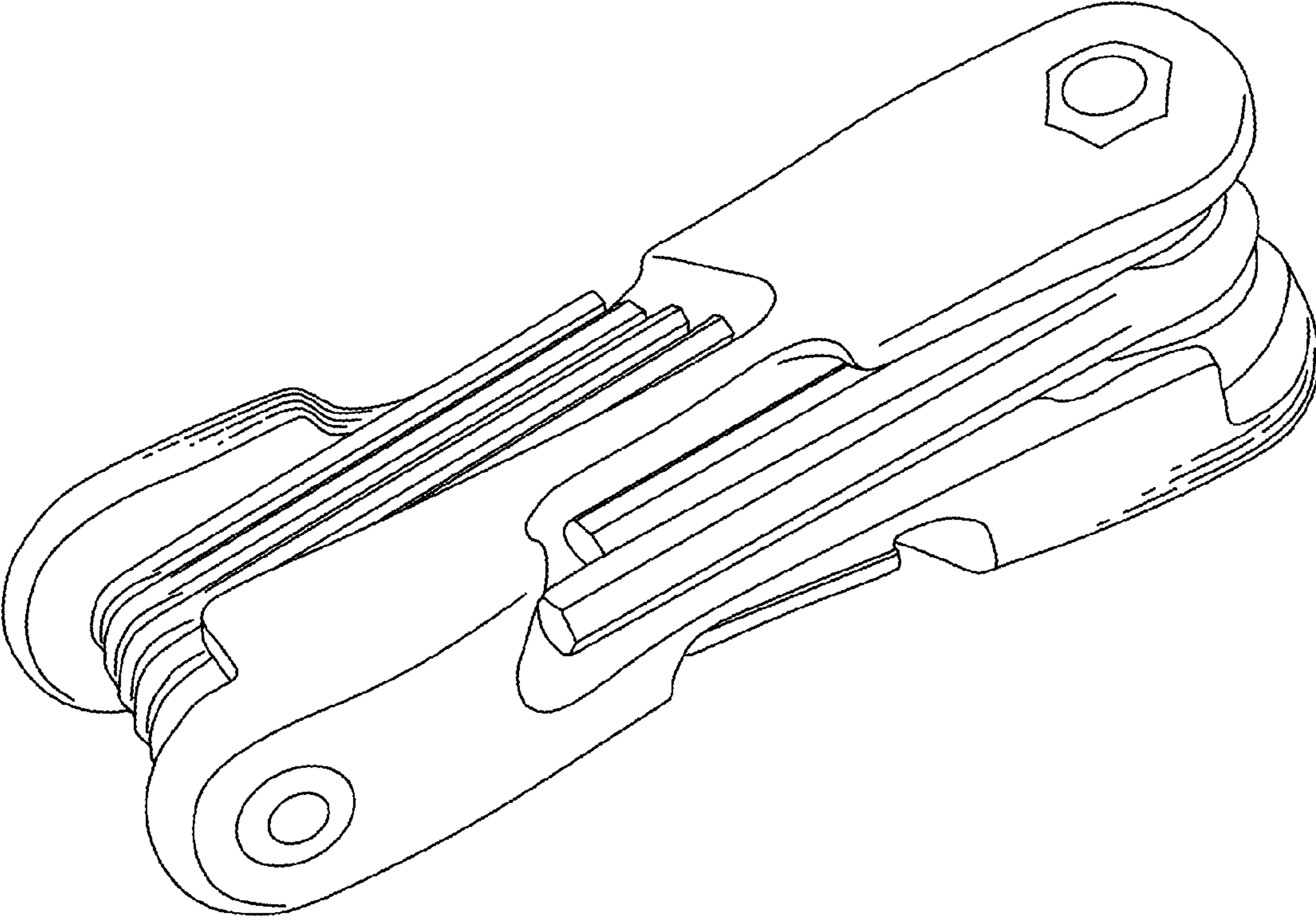


Fig. 1

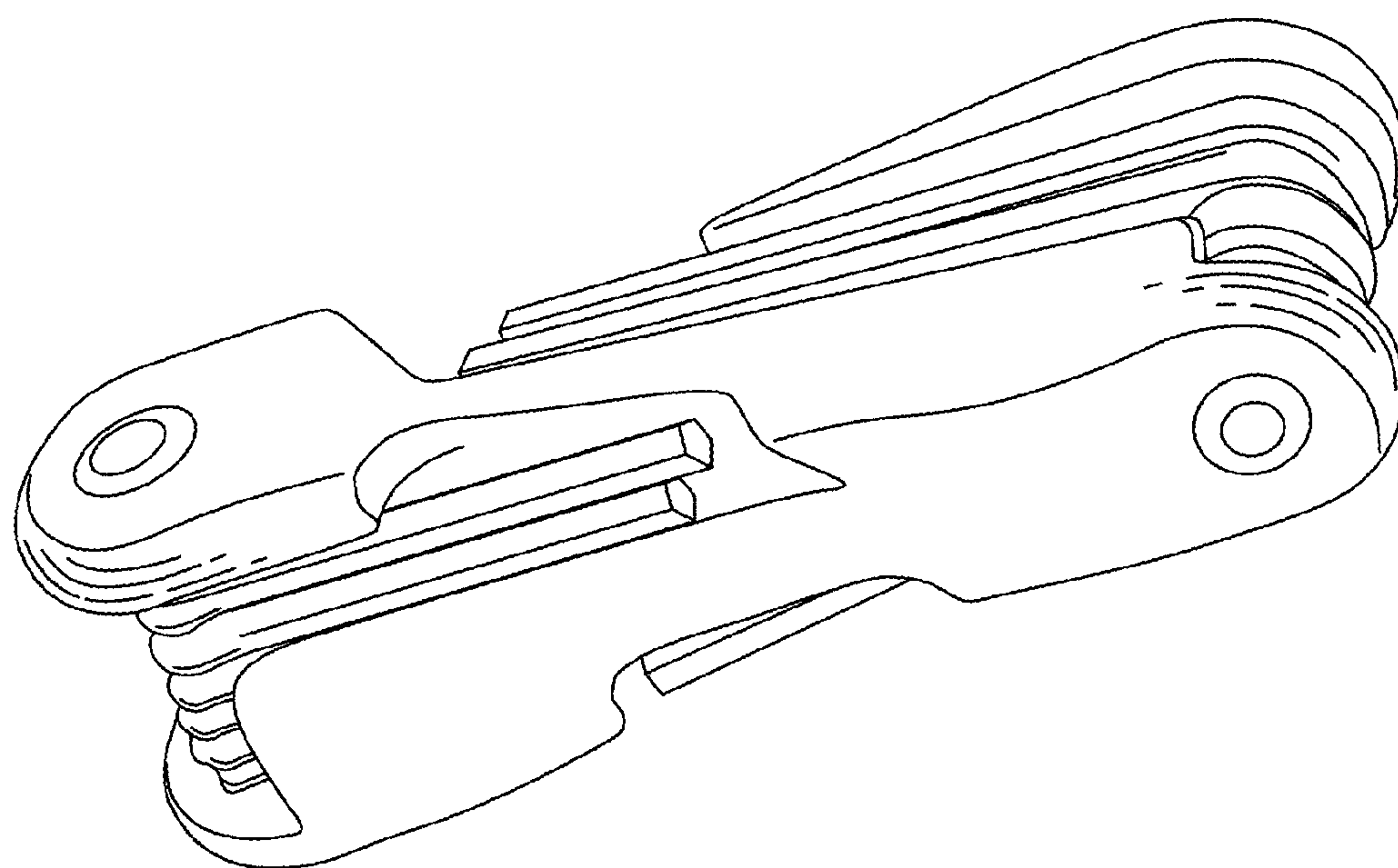


Fig. 2

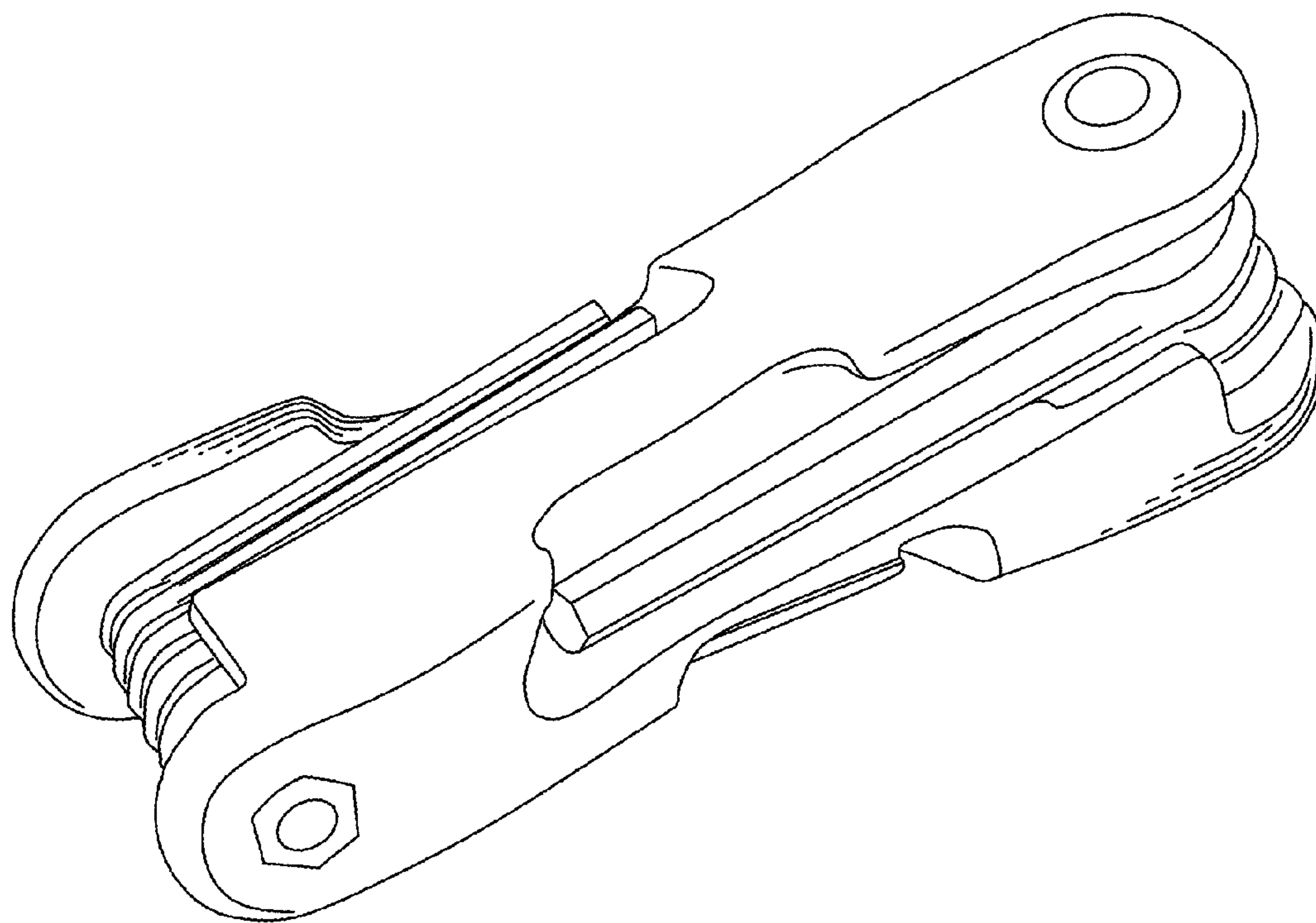


Fig. 3

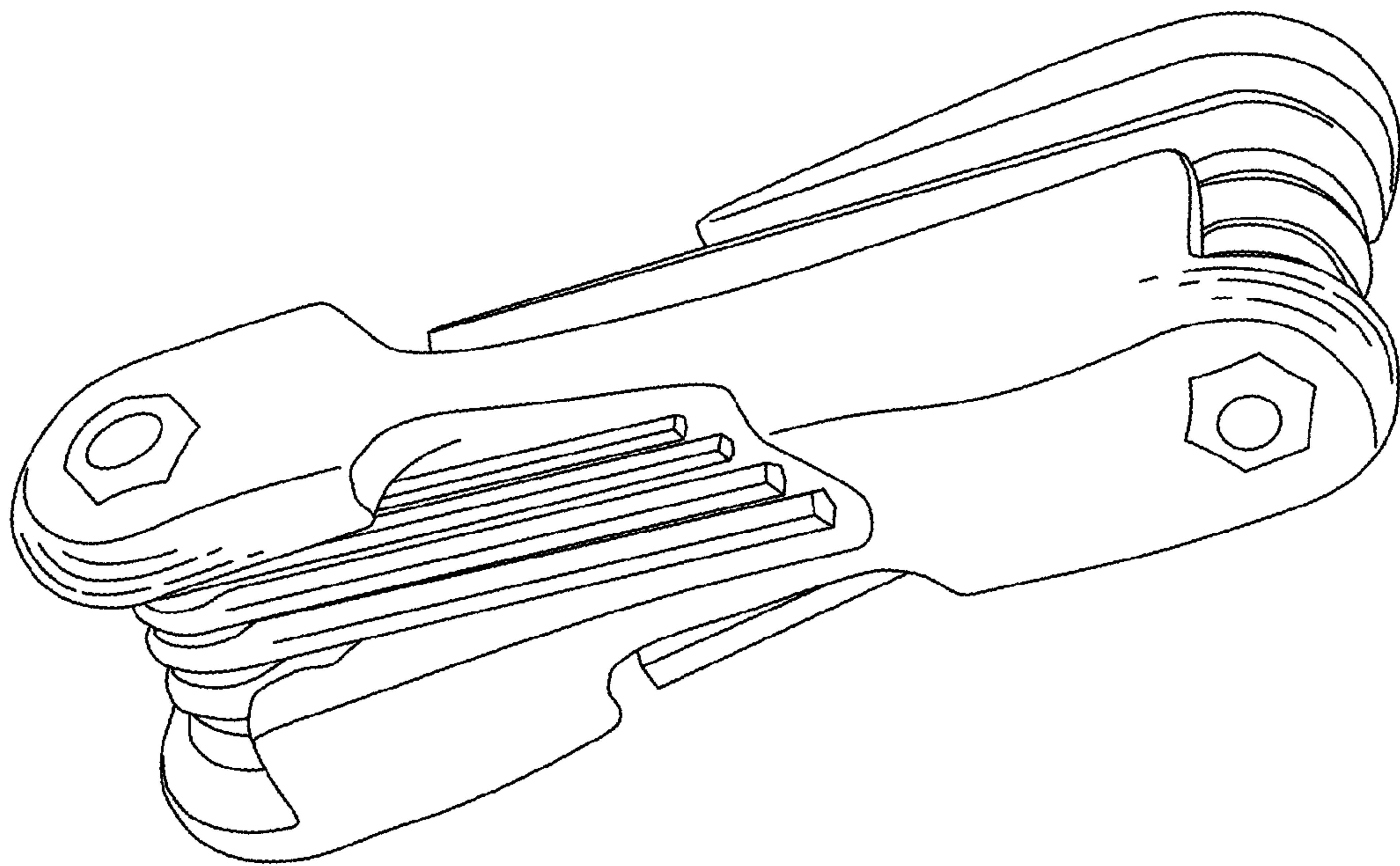


Fig. 4

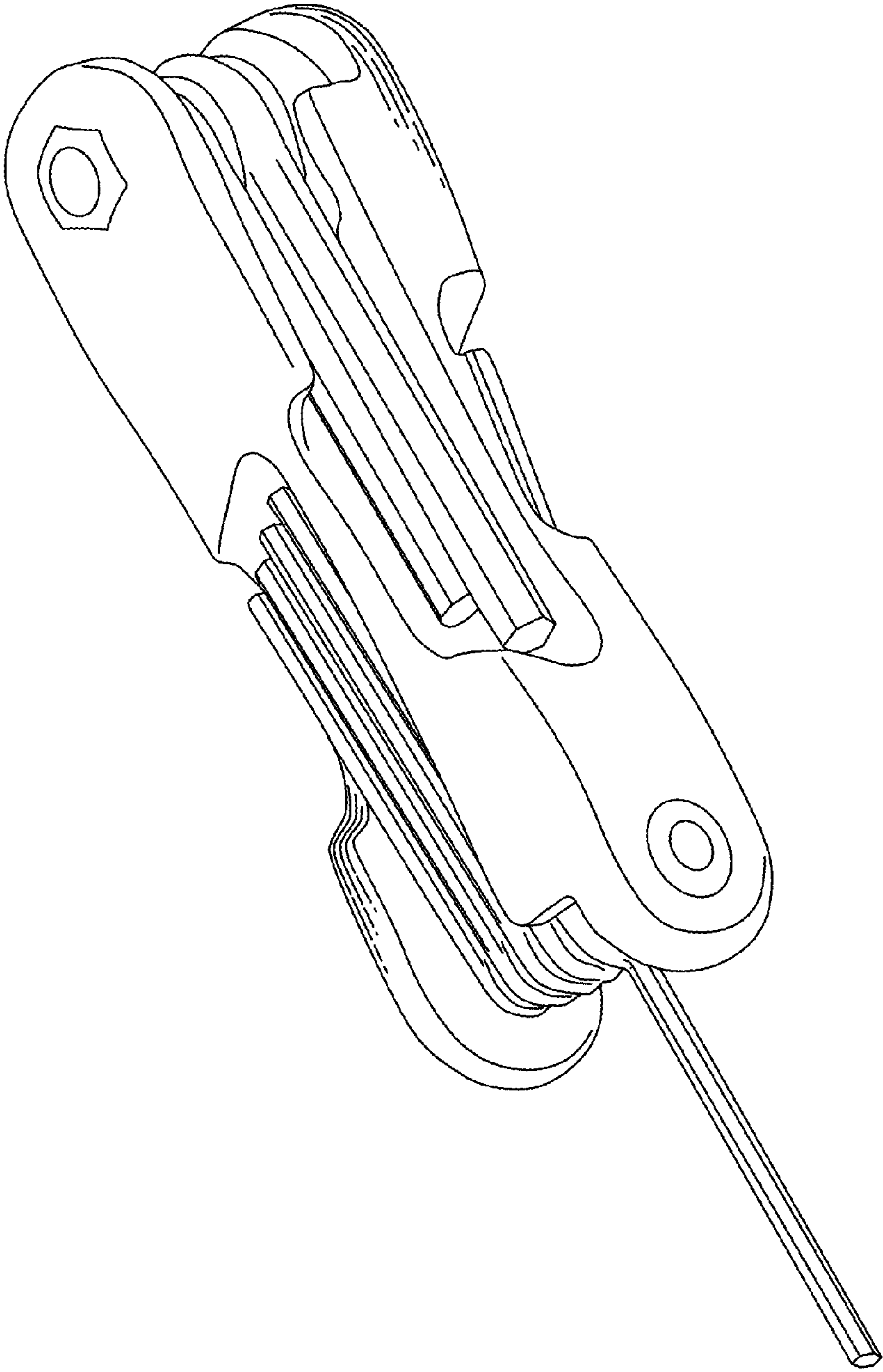


Fig. 5

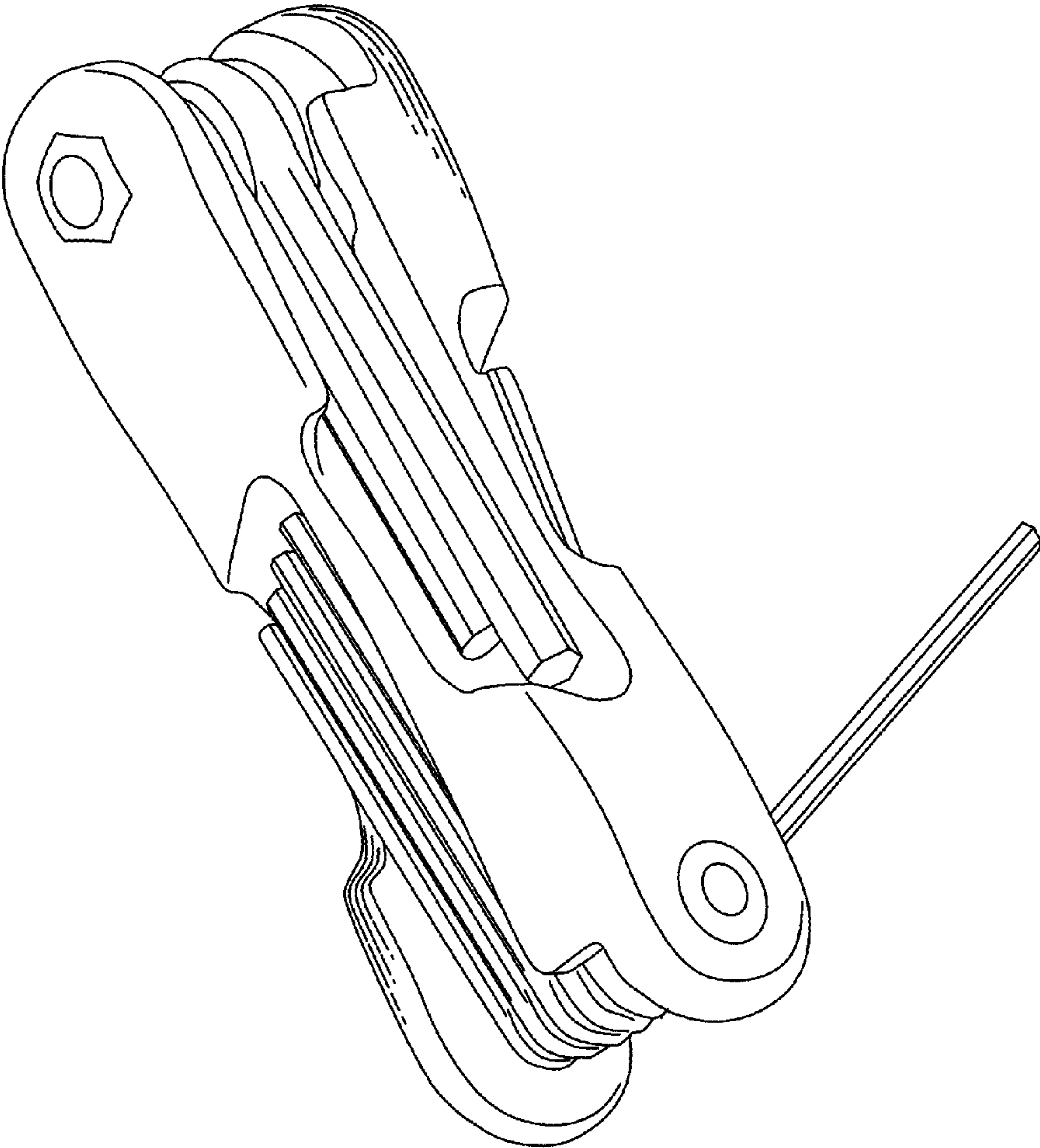


Fig. 6