



US00D708035S

(12) **United States Design Patent**
Zagula

(10) **Patent No.:** **US D708,035 S**
(45) **Date of Patent:** **** Jul. 1, 2014**

(54) **SEMI-CON SHAVING TOOL WITH REVERSE DRIVE**

Intercable Catalog, Intercable, web page “http://2.imimg.com/data2/LD/CJ/MY-1884775/cable-strippers-cable-cutters-and-scissors.pdf”, Jan. 9, 2008.

(75) Inventor: **Tadeusz Zagula**, Newington, CT (US)

* cited by examiner

(73) Assignee: **Capewell Components Company, LLC**, Cromwell, CT (US)

Primary Examiner — Philip S Hyder
Assistant Examiner — Roselynn Cody

(**) Term: **14 Years**

(74) *Attorney, Agent, or Firm* — DeLio, Peterson & Curcio, LLC; Peter W. Peterson; Thomas E. Ciesco

(21) Appl. No.: **29/422,101**

(57) **CLAIM**

I claim the ornamental design for a semi-con shaving tool with reverse drive, as shown and described.

(22) Filed: **May 16, 2012**

(51) **LOC (10) Cl.** **08-03**

DESCRIPTION

(52) **U.S. Cl.**
USPC **D8/98**

(58) **Field of Classification Search**
USPC D8/14, 49, 51, 98; 30/90.1, 90.3, 90.4, 30/90.6–90.9; 81/9.4, 9.41–9.44; 83/861
See application file for complete search history.

FIG. 1 is a front left top perspective view of a semi-con shaving tool with reverse drive design according to my invention;
FIG. 2 is a front left bottom perspective view of the semi-con shaving tool with reverse drive design shown in FIG. 1;
FIG. 3 is a front right bottom perspective view of the semi-con shaving tool with reverse drive shown in FIG. 1;
FIG. 4 is a front right top perspective view of the semi-con shaving tool with reverse drive shown in FIG. 1;
FIG. 5 is a front elevational view of the semi-con shaving tool with reverse drive shown in FIG. 1;
FIG. 6 is a back elevational view of the semi-con shaving tool with reverse drive shown in FIG. 1;
FIG. 7 is a top elevational view of the semi-con shaving tool with reverse drive shown in FIG. 1;
FIG. 8 is a left elevational view of the semi-con shaving tool with reverse drive shown in FIG. 1;
FIG. 9 is a right elevational view of the semi-con shaving tool with reverse drive shown in FIG. 1; and,
FIG. 10. is a bottom elevational view of the semi-con shaving tool with reverse drive shown in FIG. 1.

(56) **References Cited**

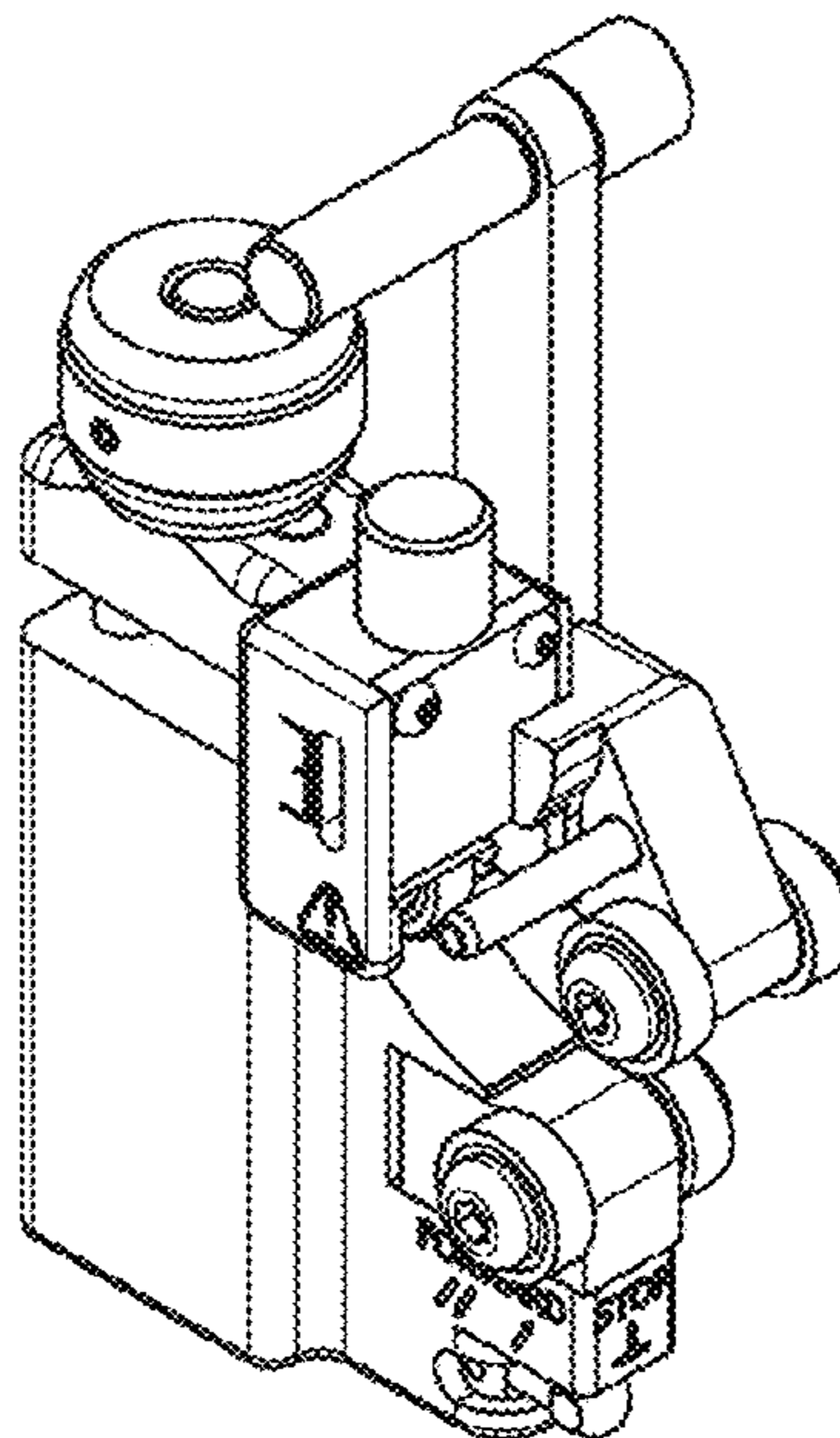
U.S. PATENT DOCUMENTS

| | | | | | |
|--------------|------|---------|----------------|-------|---------|
| 3,722,092 | A * | 3/1973 | Lukas | | 30/90.9 |
| 4,945,788 | A * | 8/1990 | Matthews | | 81/9.4 |
| 5,979,286 | A * | 11/1999 | Burth | | 83/861 |
| D477,521 | S * | 7/2003 | Tarpill et al. | | D8/98 |
| 6,615,493 | B2 * | 9/2003 | Shevela | | 30/90.1 |
| 6,895,671 | B1 * | 5/2005 | Belew et al. | | 30/90.4 |
| D649,847 | S | 12/2011 | Zagula | | |
| 2009/0013535 | A1 * | 1/2009 | Derancourt | | 30/90.6 |
| 2013/0042483 | A1 * | 2/2013 | Ducret | | 30/90.7 |

OTHER PUBLICATIONS

Speed Systems Catalog, Speed Systems, Inc., web page “http://www.spdsystems.com/Content/Docs/SpeedSystemsCatalog.pdf”, Jul. 16, 2011.

1 Claim, 3 Drawing Sheets



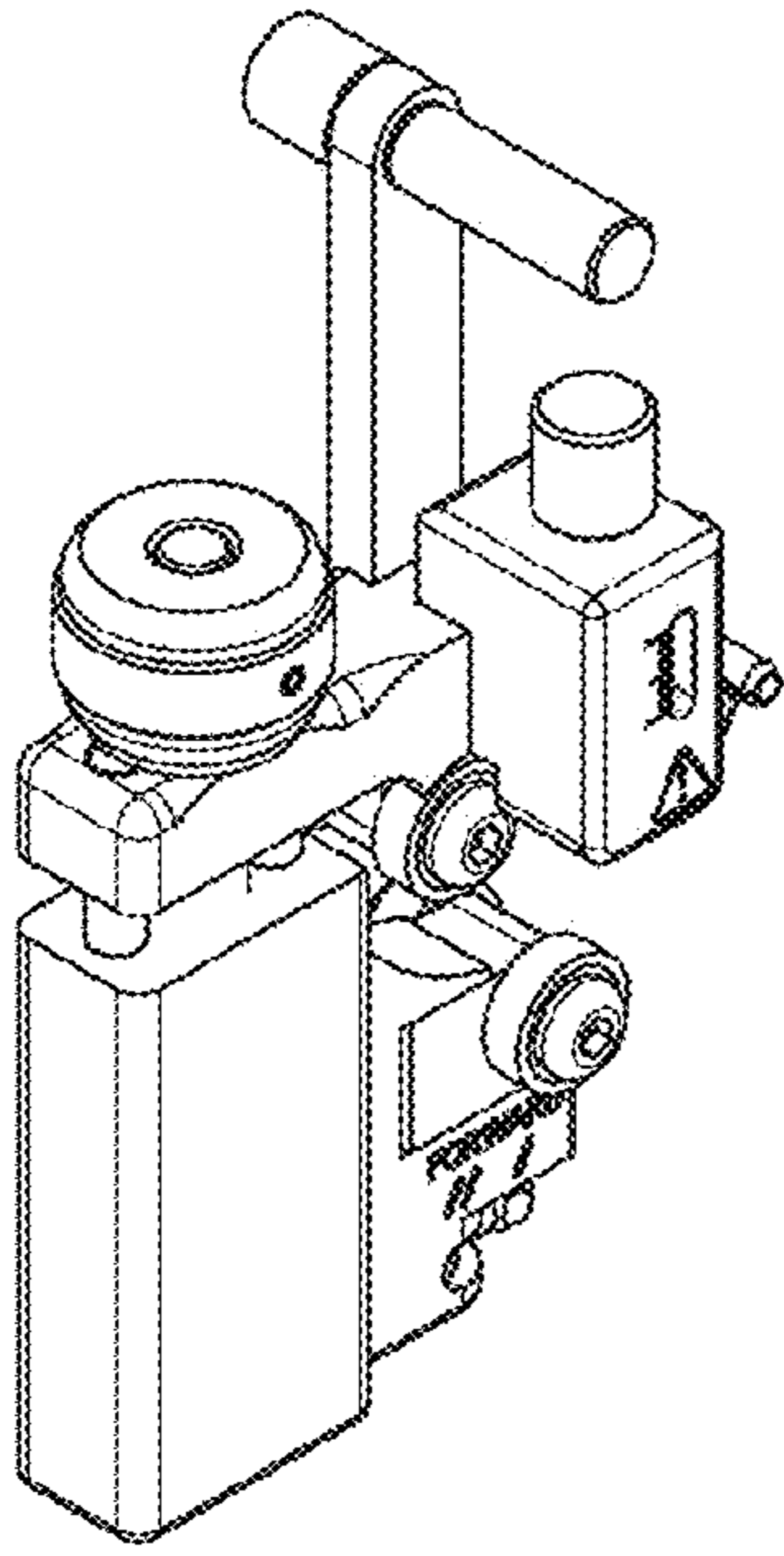


FIG. 1

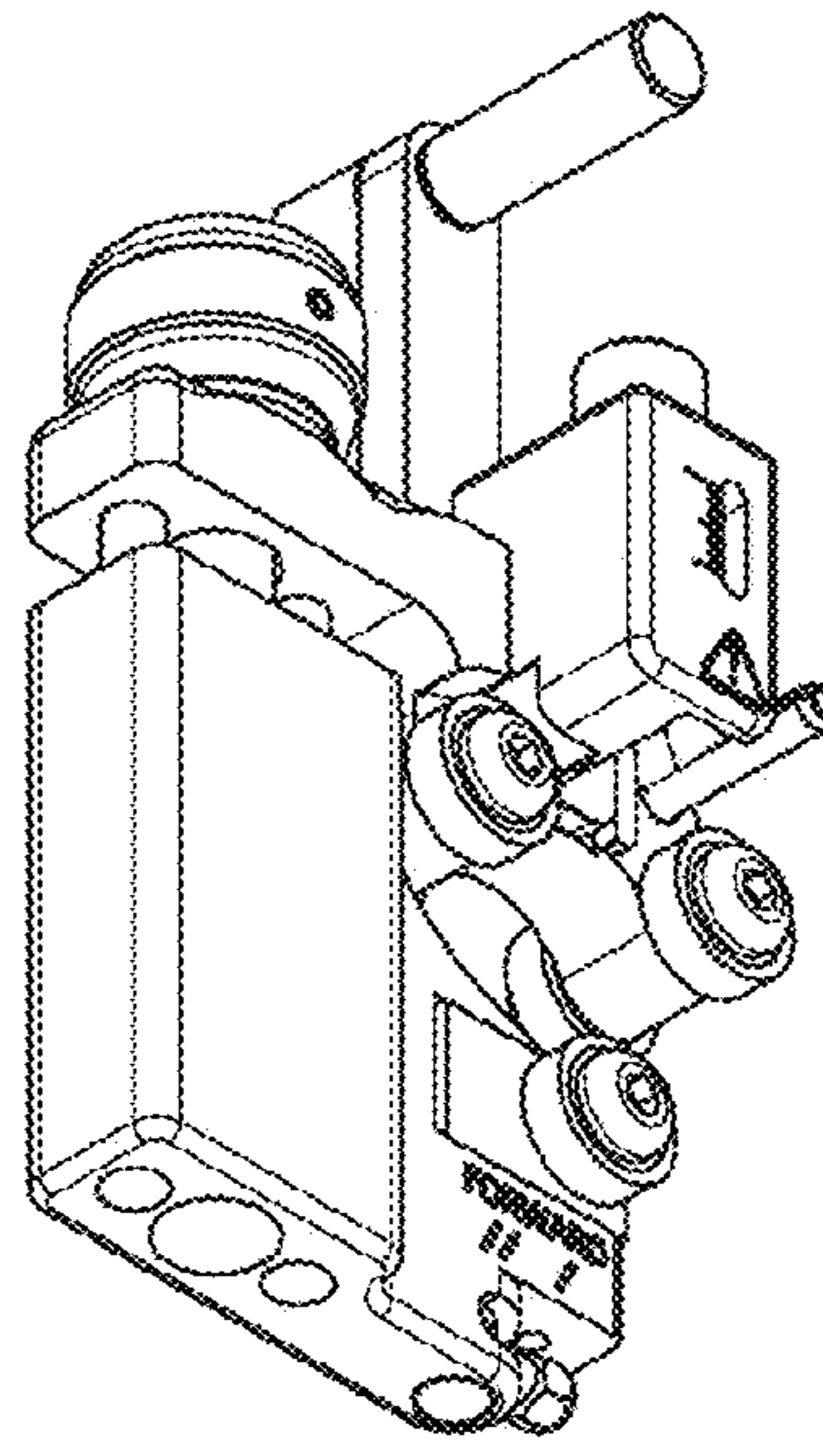


FIG. 2

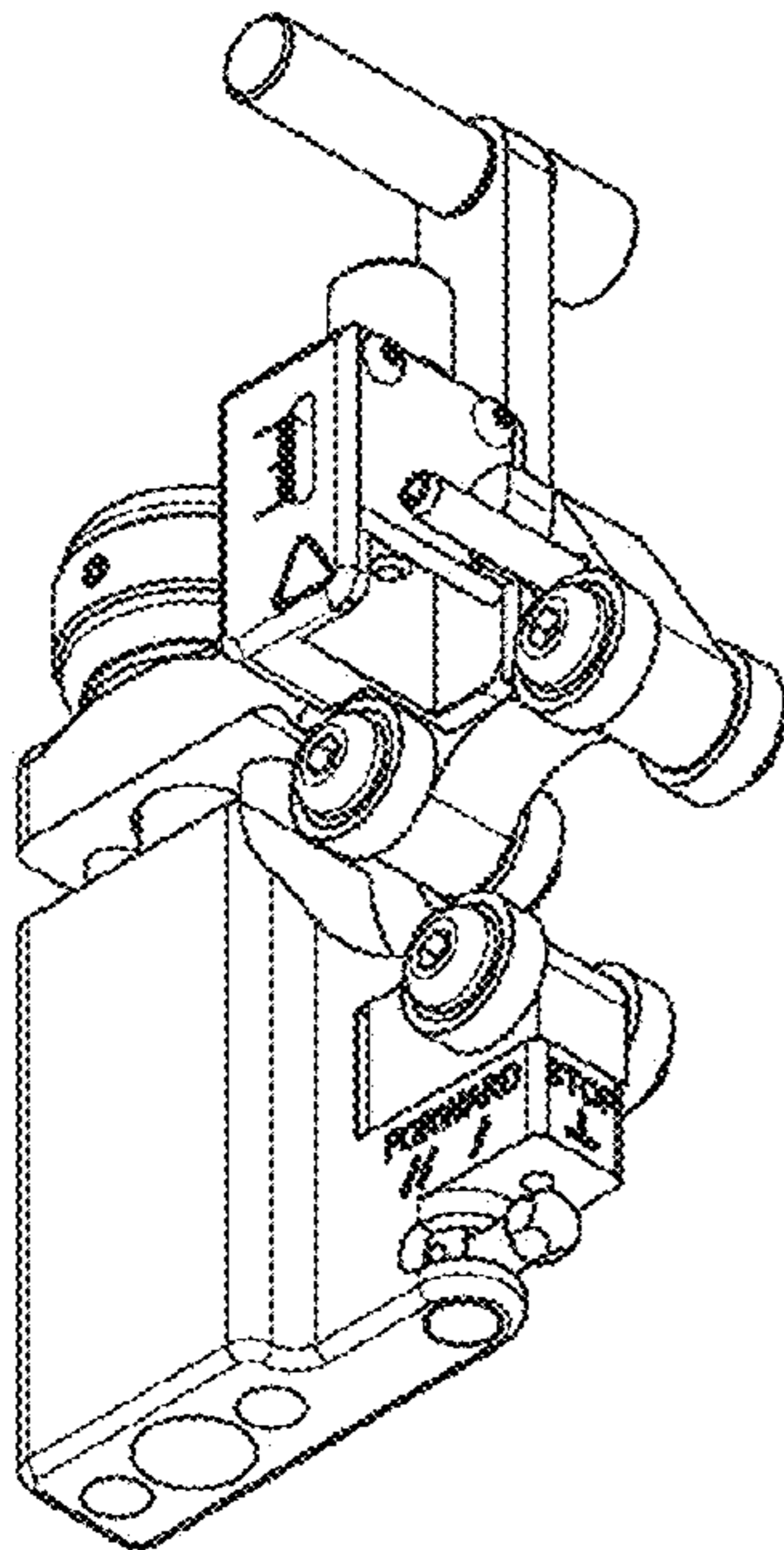


FIG. 3

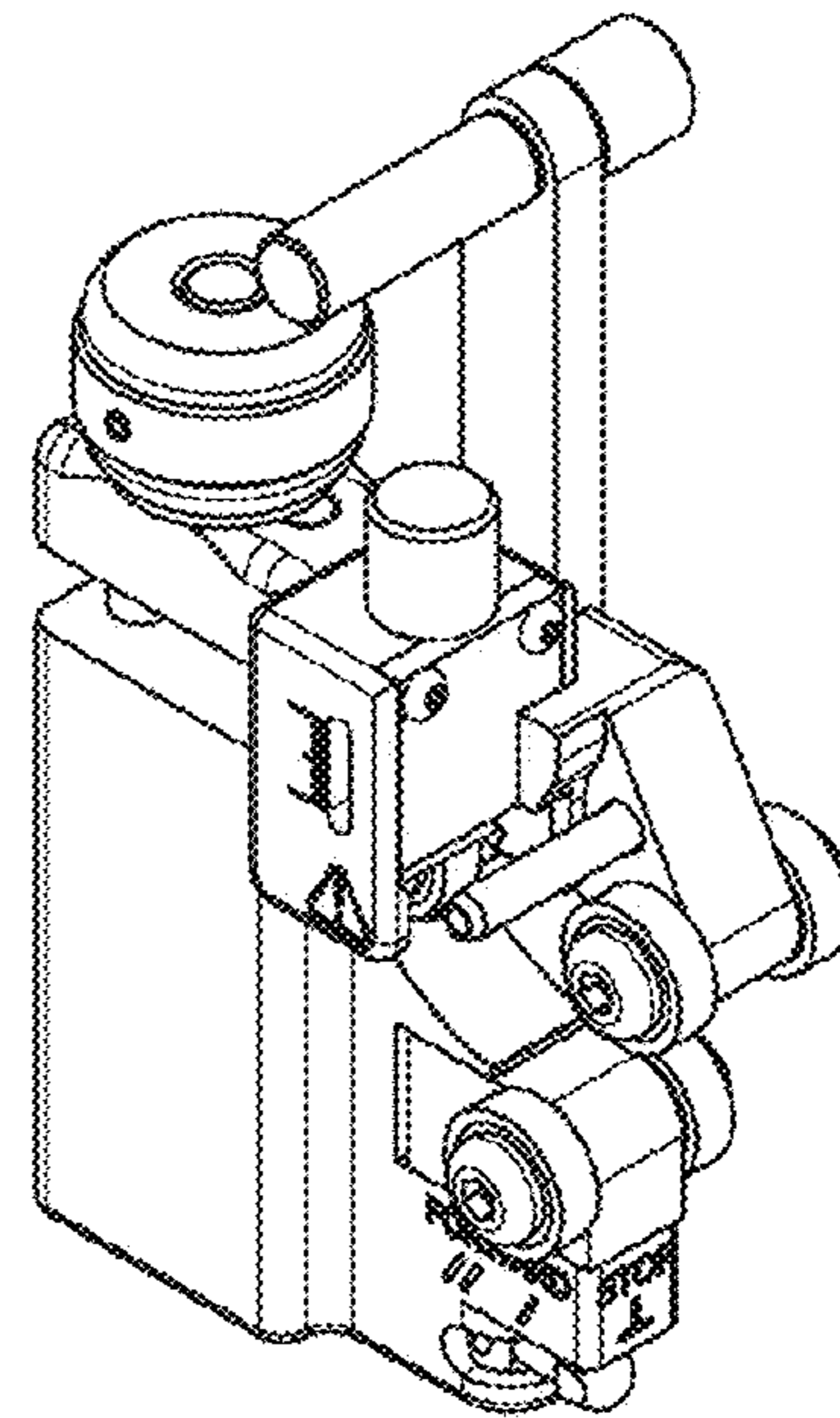


FIG. 4

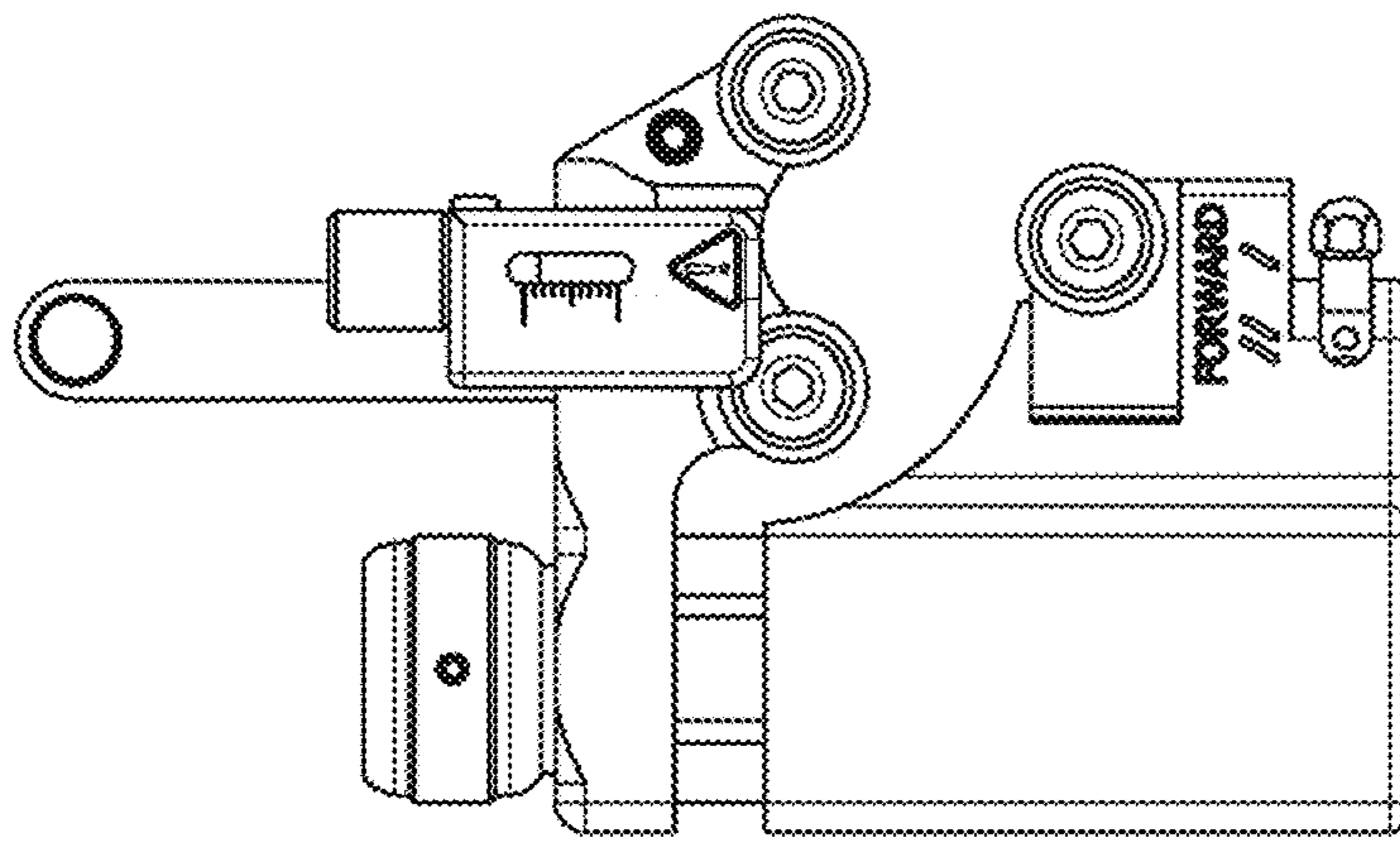


FIG. 5

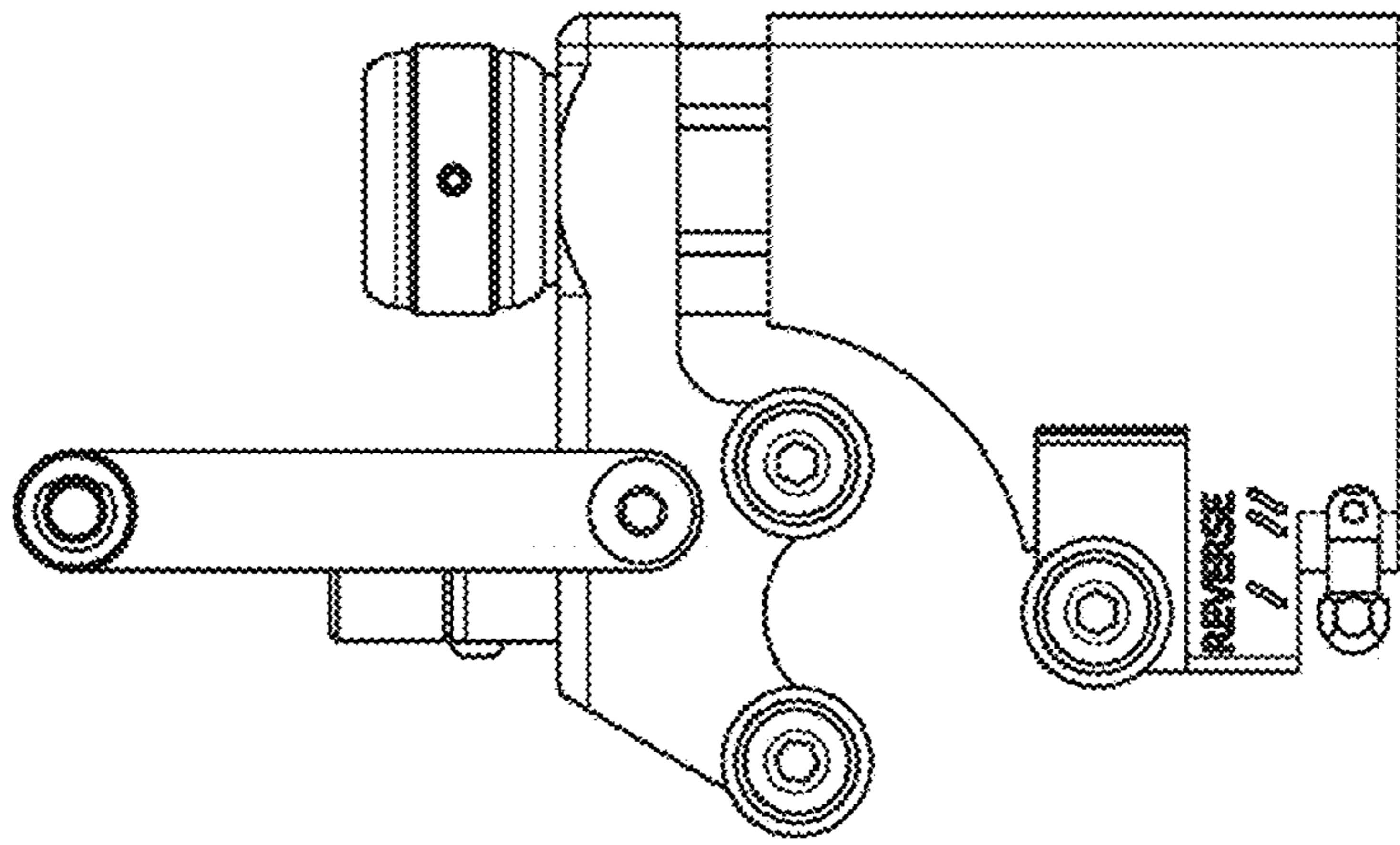


FIG. 6

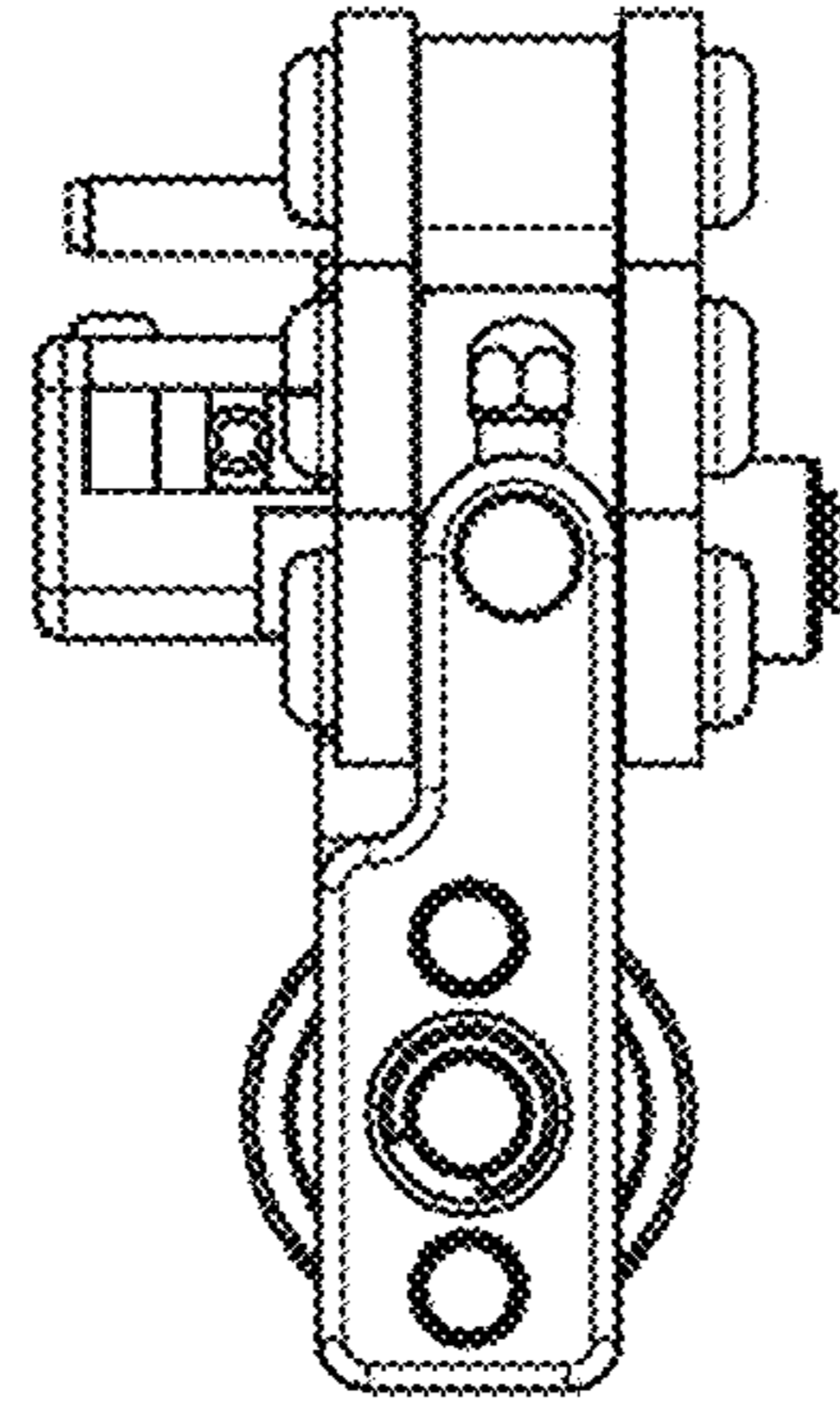


FIG. 7

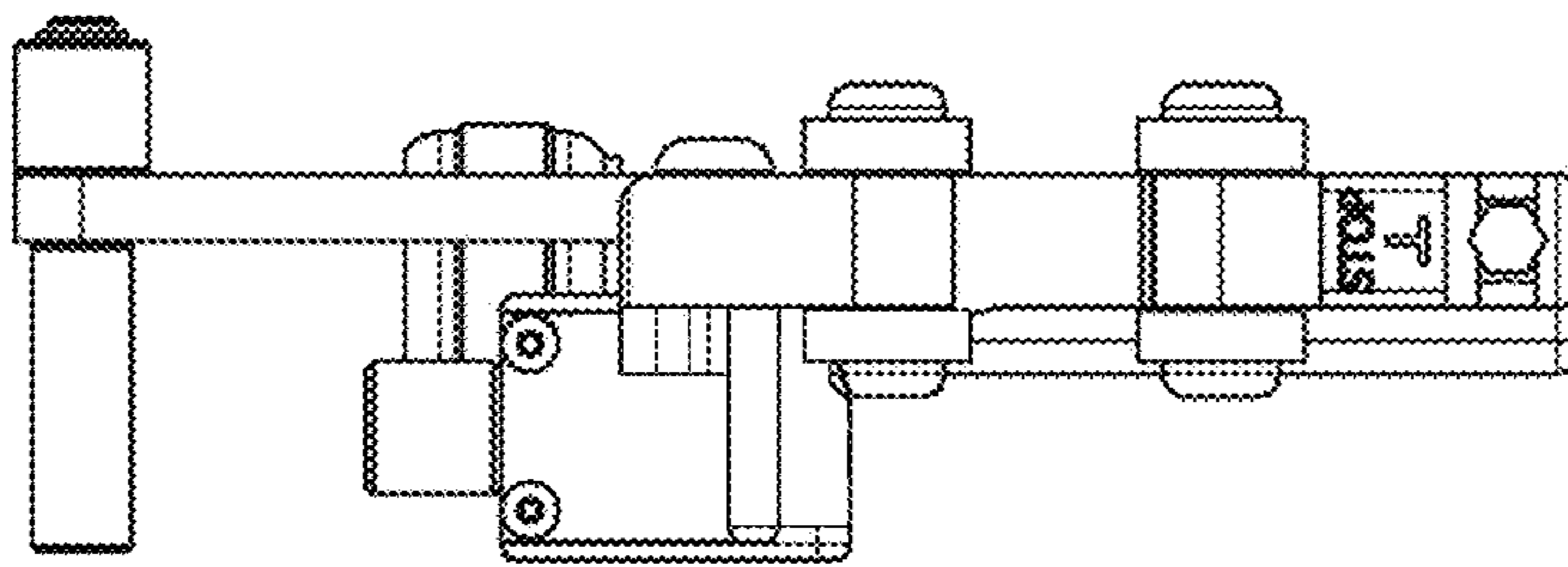


FIG. 9

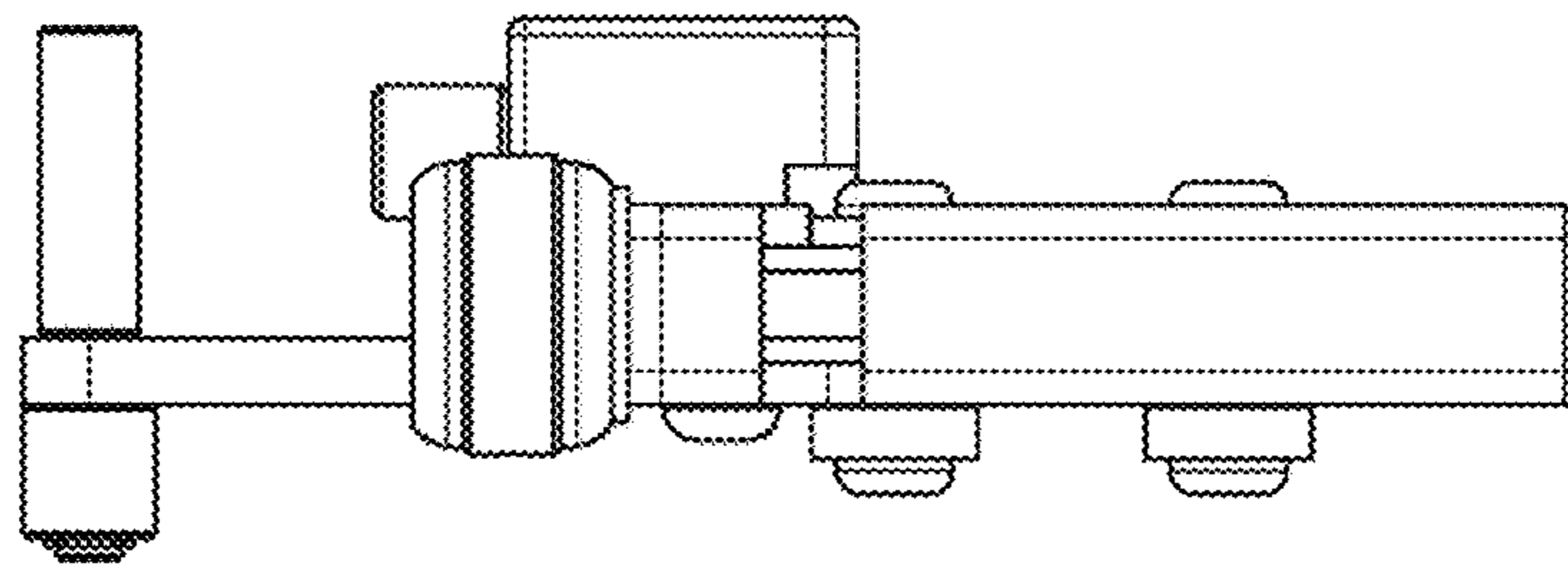


FIG. 8

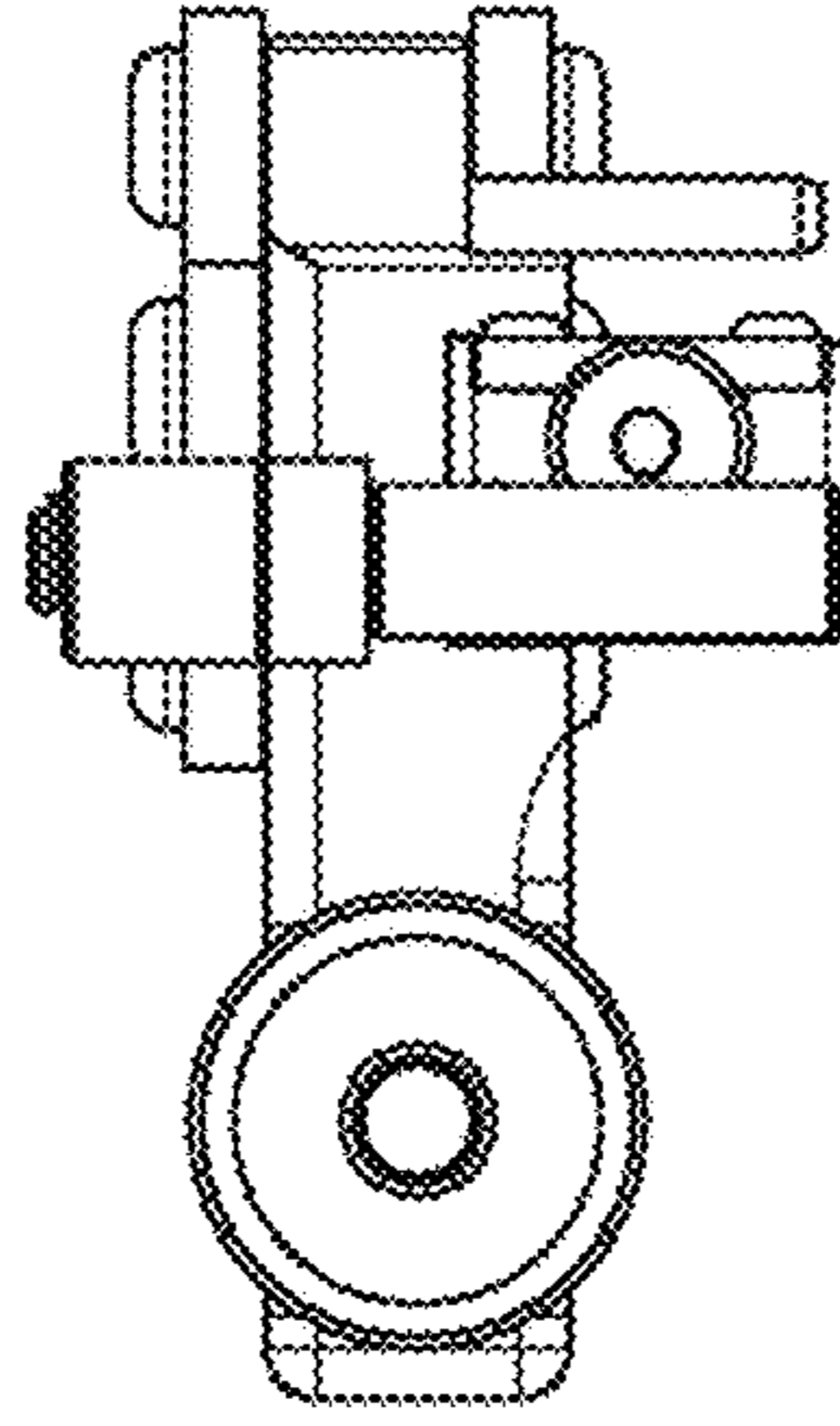


FIG. 10