



US00D708034S

(12) **United States Design Patent**
Huang

(10) **Patent No.:** **US D708,034 S**
(45) **Date of Patent:** **** Jul. 1, 2014**

- (54) **TOOL BIT**
- (71) Applicant: **New Way Tools Co., Ltd.**, Taichung (TW)
- (72) Inventor: **Ping-Wen Huang**, Taichung (TW)
- (73) Assignee: **New Way Tools Co., Ltd.**, Taichung (TW)
- (**) Term: **14 Years**
- (21) Appl. No.: **29/444,926**
- (22) Filed: **Feb. 6, 2013**
- (51) **LOC (10) Cl.** **08-04**
- (52) **U.S. Cl.**
USPC **D8/86**
- (58) **Field of Classification Search**
USPC D8/70, 82, 85-87; 81/439, 440, 442, 81/443, 460, 461
See application file for complete search history.

(56) **References Cited**

U.S. PATENT DOCUMENTS

D410,372 S *	6/1999	Strauch	D8/86
D445,325 S *	7/2001	Fruhm	D8/86
6,352,011 B1 *	3/2002	Fruhm	81/438
D462,596 S *	9/2002	Fruhm	D8/86
6,928,899 B1 *	8/2005	Lin	81/25
7,156,002 B1 *	1/2007	Chan	81/177.4
2004/0206649 A1 *	10/2004	Chen	206/379

2013/0047796 A1* 2/2013 Chen 81/438

* cited by examiner

Primary Examiner — Philip Hyder

Assistant Examiner — Roselynn Cody

(74) *Attorney, Agent, or Firm* — Alan Kamrath; Kamrath IP Lawfirm, P.A.

(57) **CLAIM**

The ornamental design for a tool bit, as shown and described.

DESCRIPTION

FIG. 1 is a perspective view of a tool bit showing my new design.

FIG. 2 is a front view thereof, with the opposite side being a mirror image.

FIG. 3 is a left view thereof.

FIG. 4 is a right view thereof.

FIG. 5 is a top view thereof, with the opposite side being a mirror image.

FIG. 6 is another perspective view thereof, shown within the environment of an alternate body.

FIG. 7 is another perspective view thereof, shown within the environment of an alternate body.

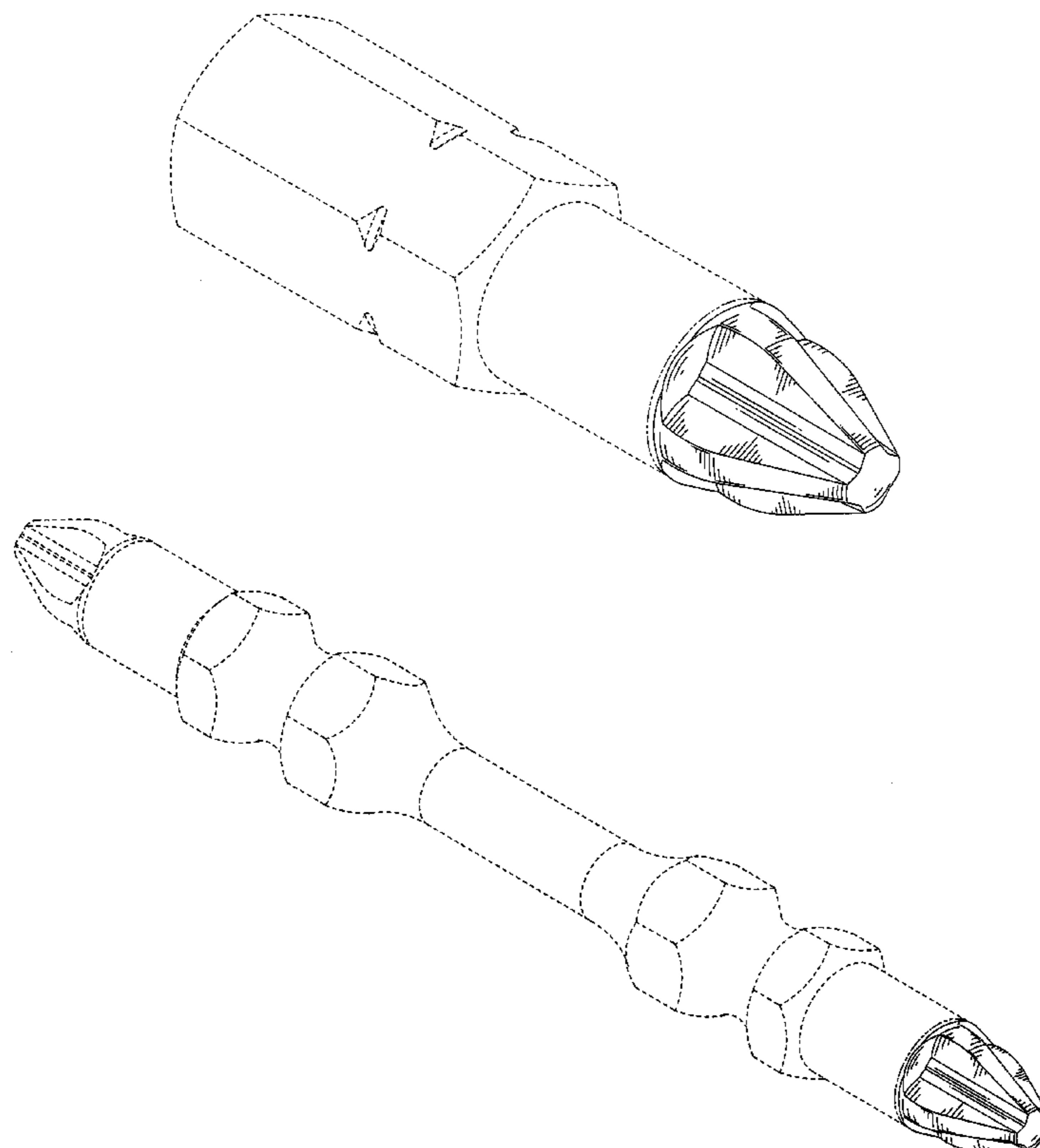
FIG. 8 is another perspective view thereof, shown within the environment of an alternate body.

FIG. 9 is another perspective view thereof, shown within the environment of an alternate body; and,

FIG. 10 is another perspective view thereof, shown within the environment of an alternate body.

The broken lines in the figures are directed to environment and form no part of the claimed design.

1 Claim, 10 Drawing Sheets



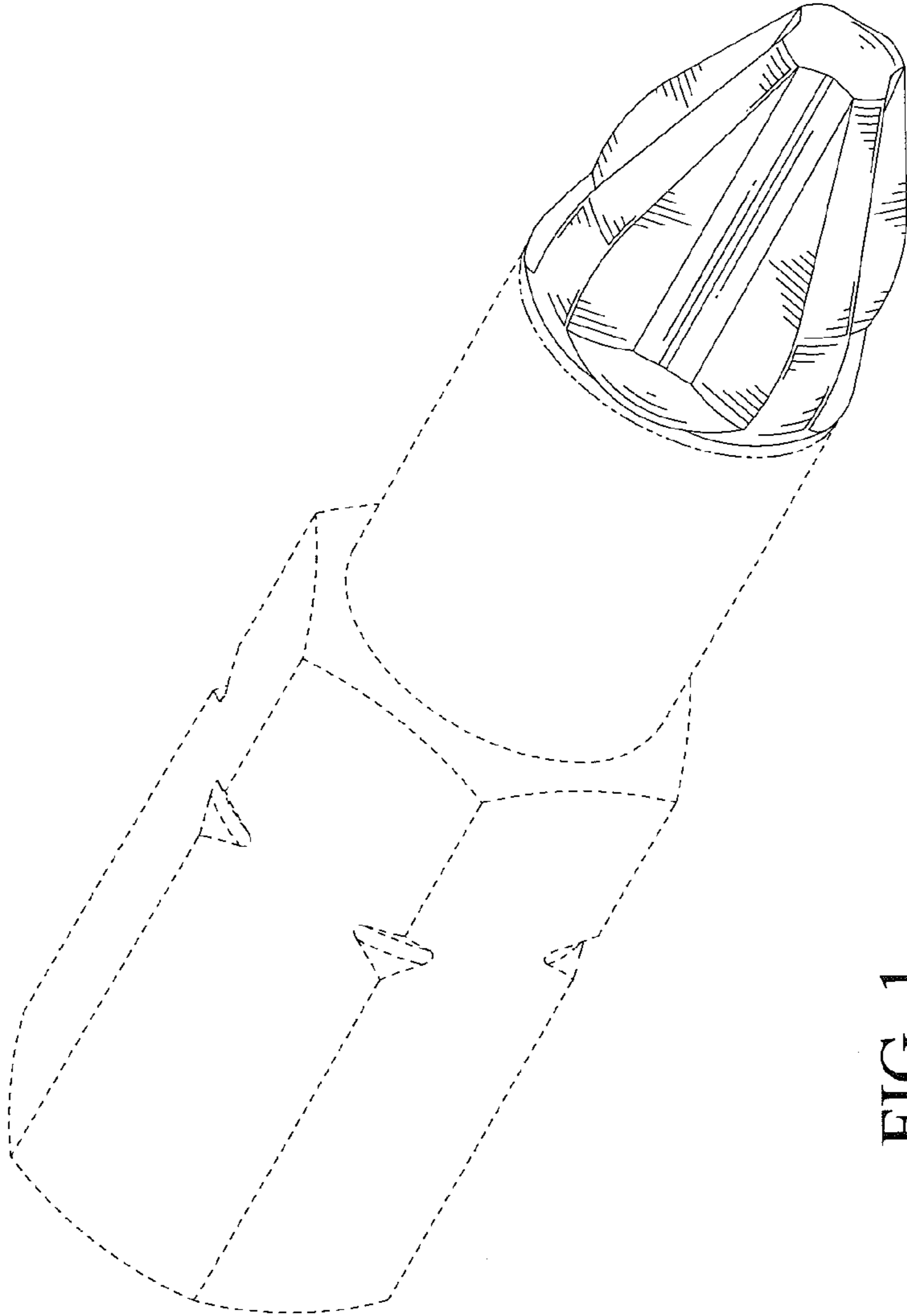


FIG. 1

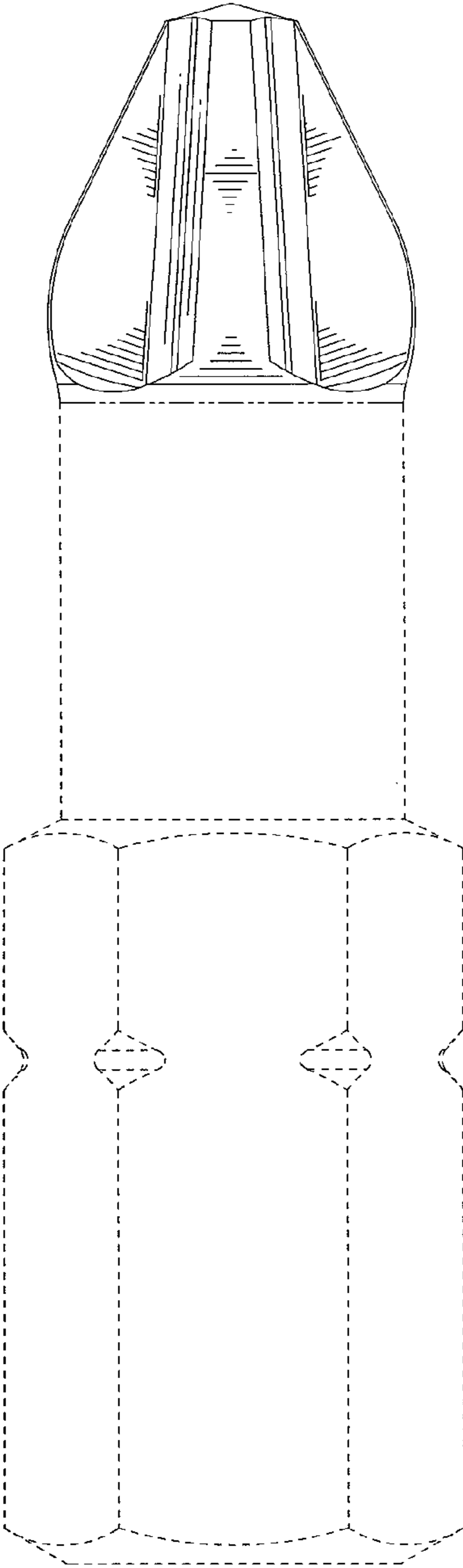


FIG. 2

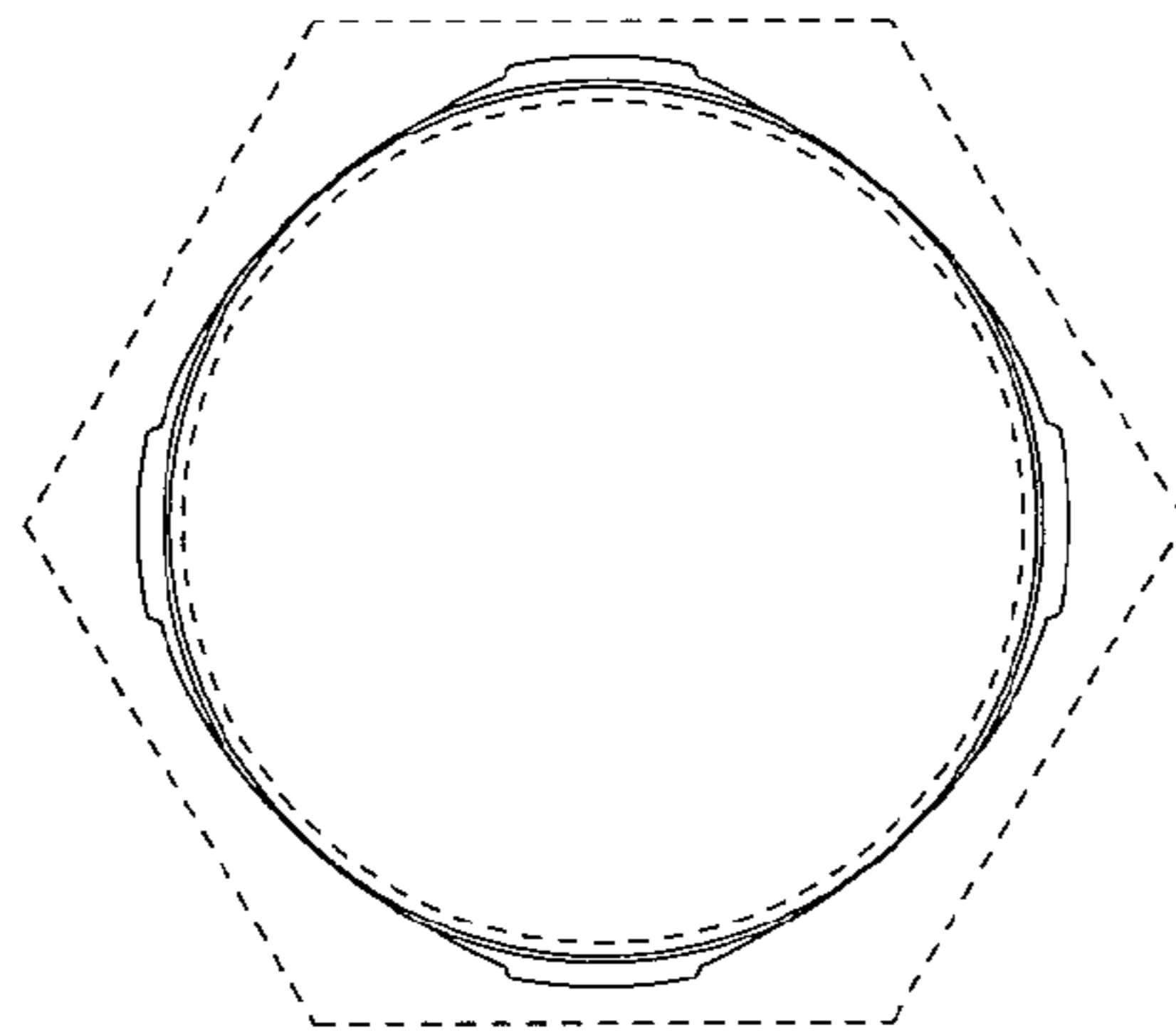


FIG. 3

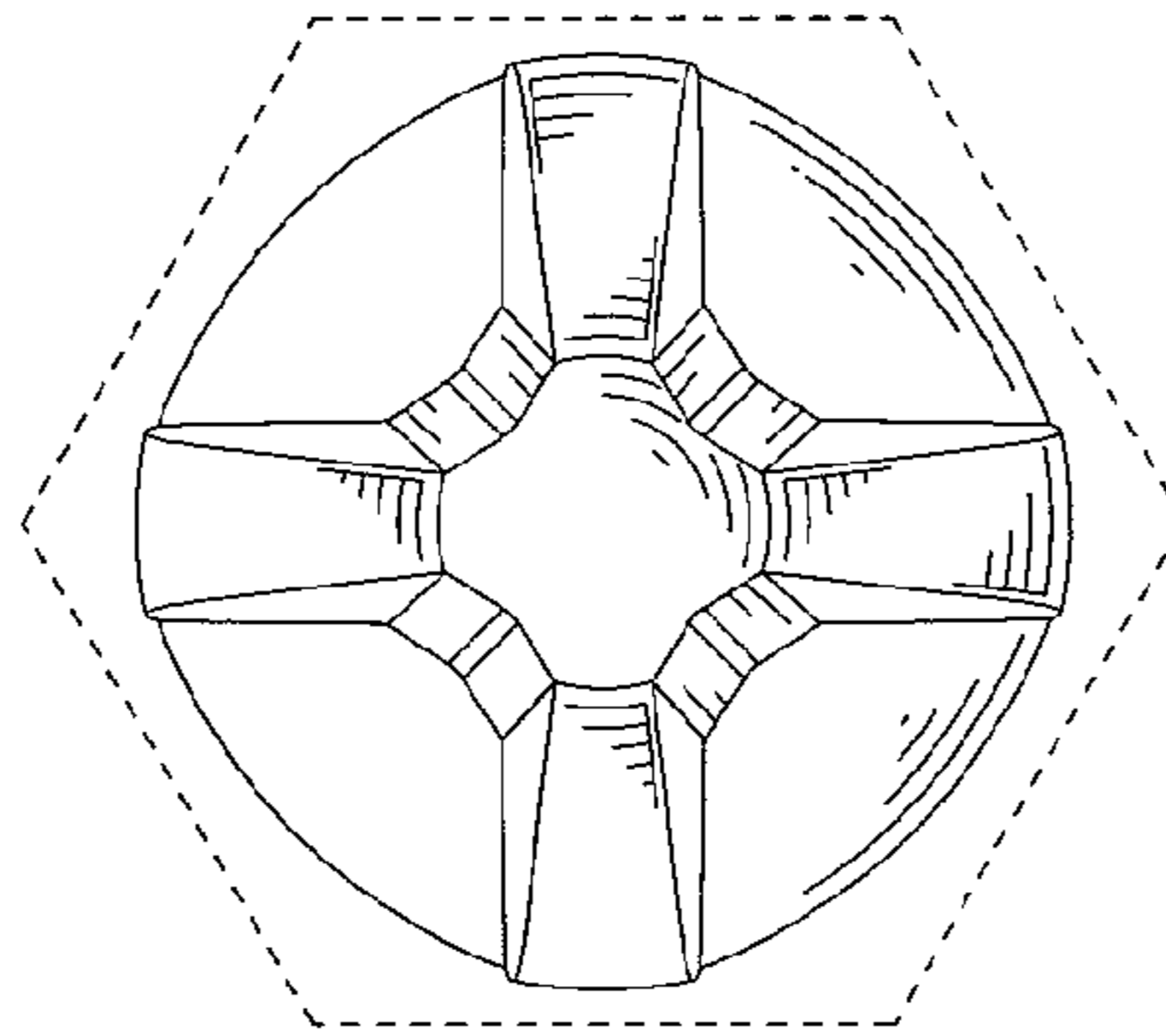


FIG. 4

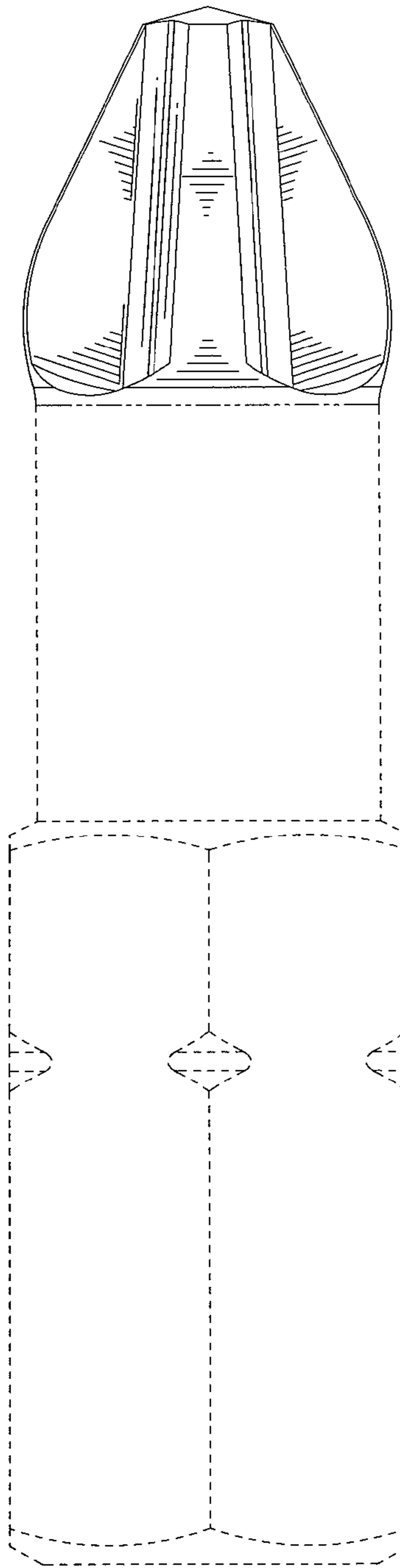


FIG. 5

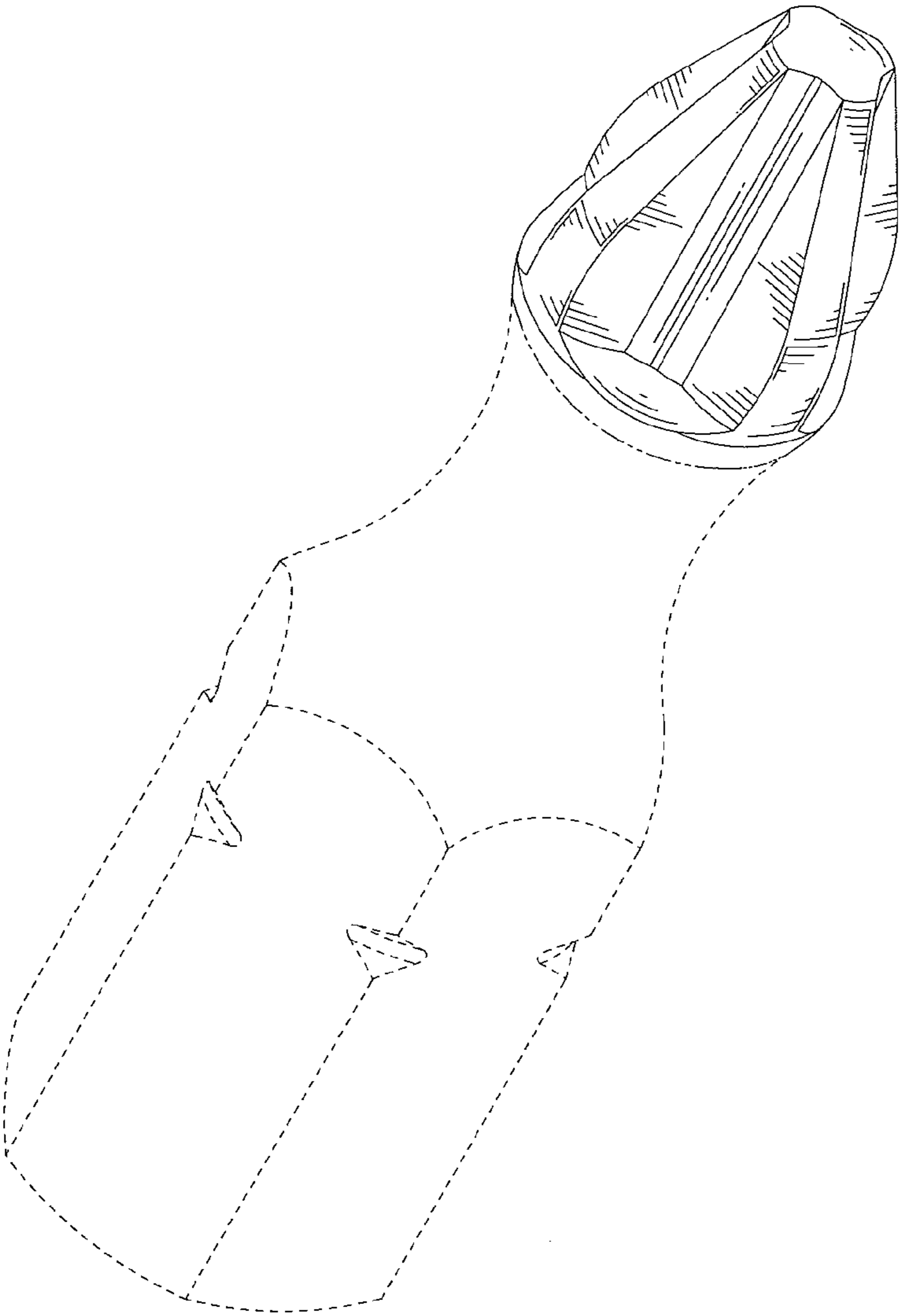


FIG. 6

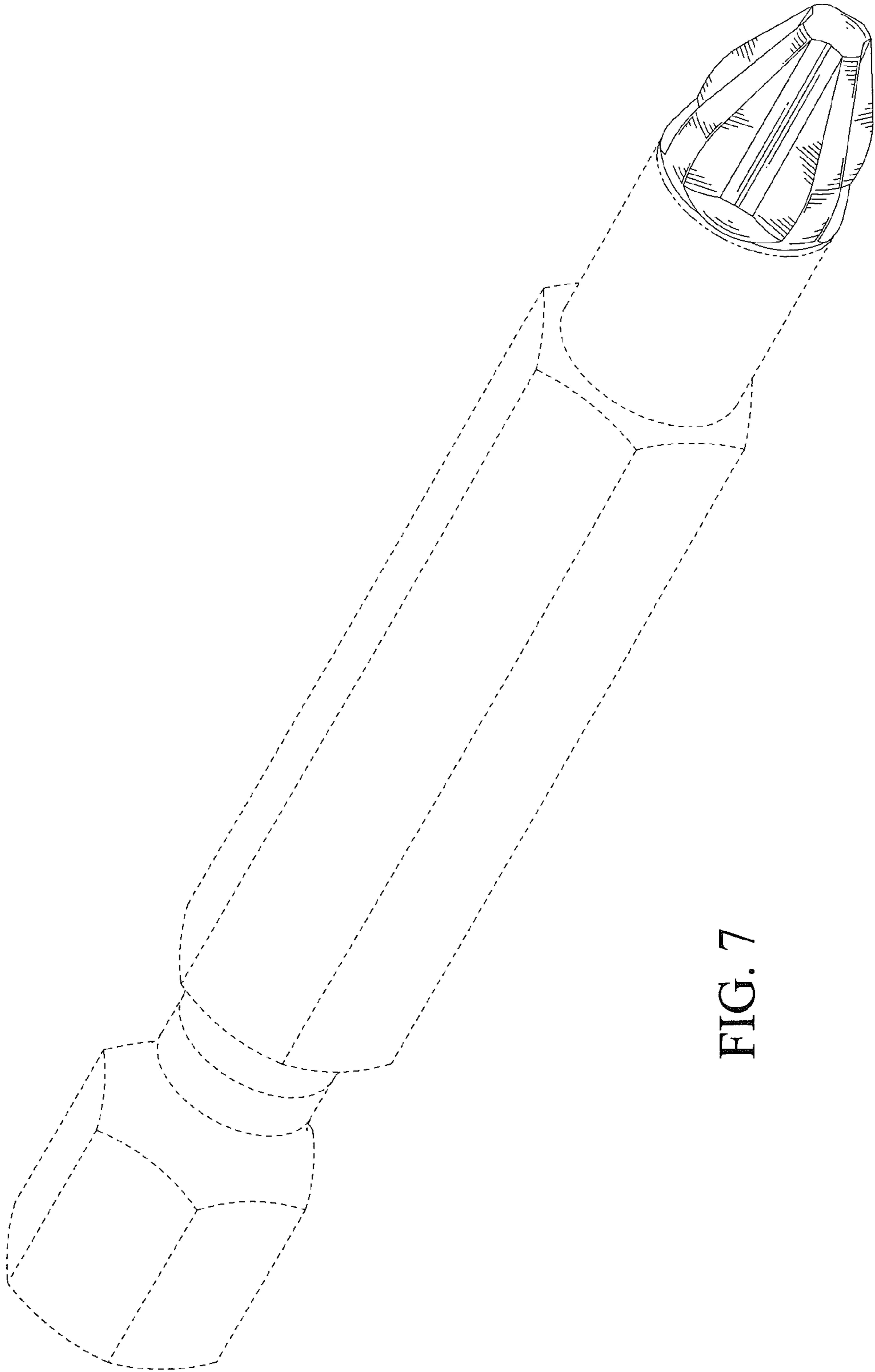


FIG. 7

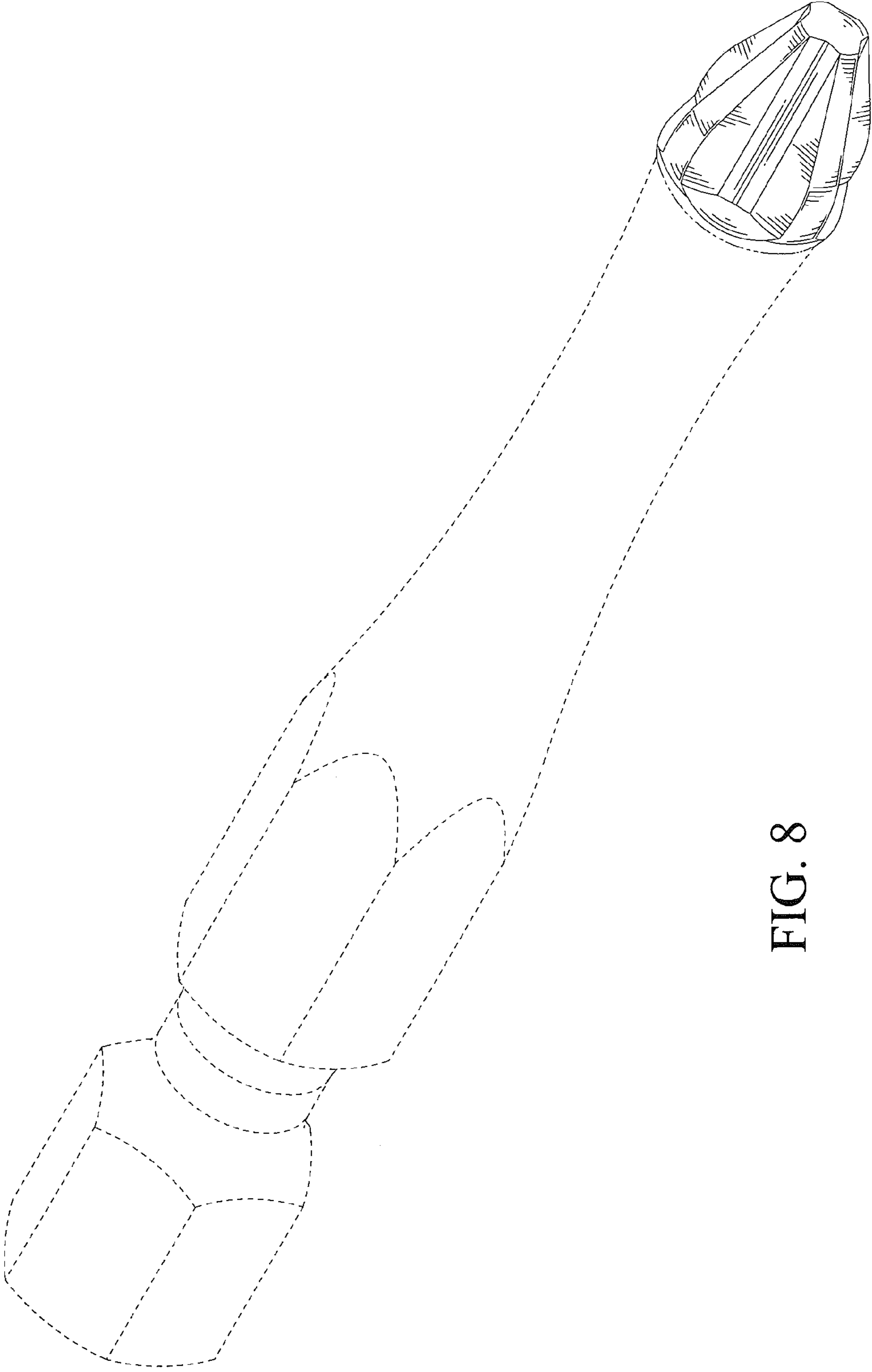


FIG. 8

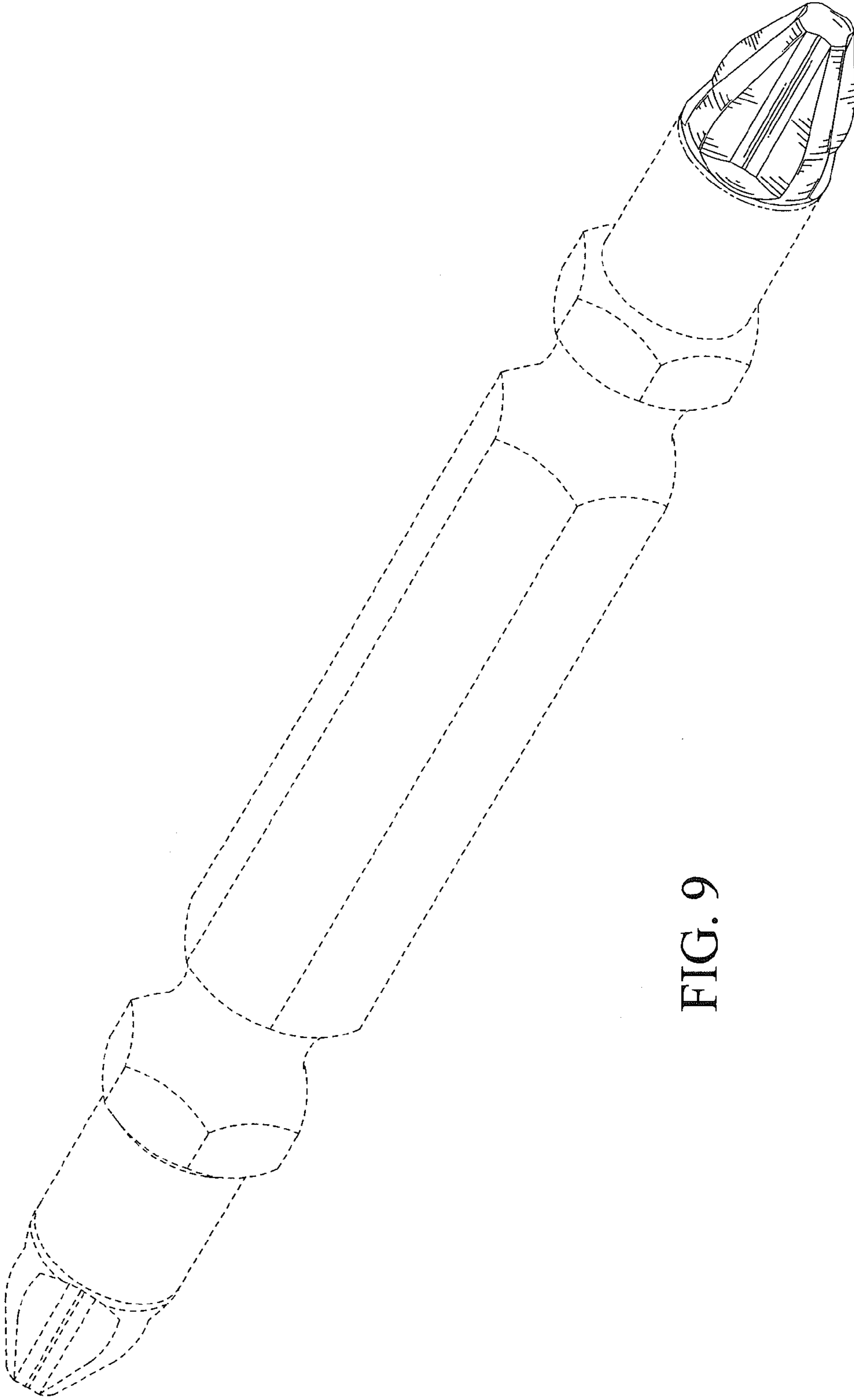


FIG. 9

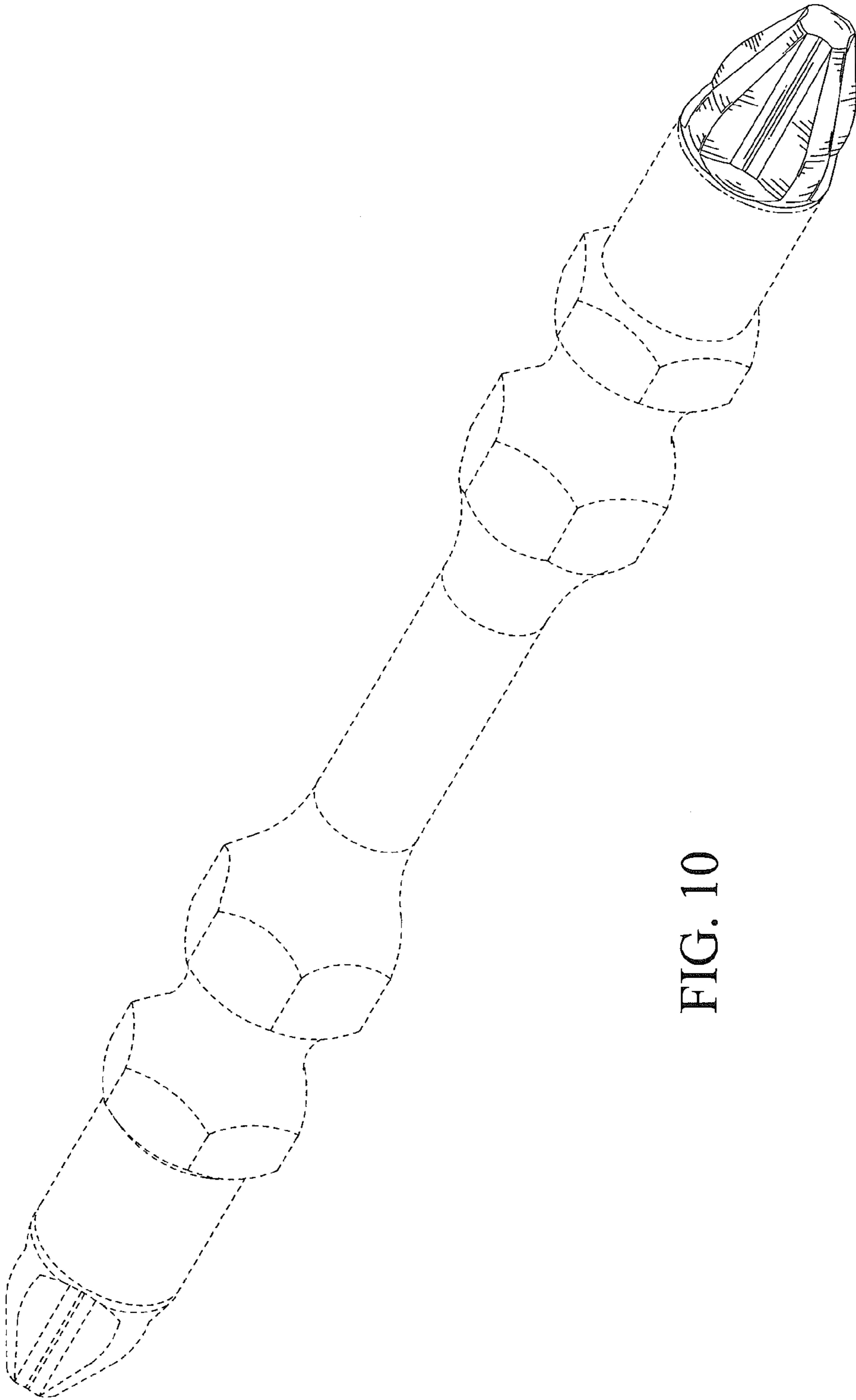


FIG. 10