



US00D708033S

(12) **United States Design Patent**
Bohanan

(10) **Patent No.:** **US D708,033 S**
(45) **Date of Patent:** **** Jul. 1, 2014**

(54) **PAINT STIRRING DEVICE**

(71) Applicant: **Robert Bohanan**, Normal, IL (US)

(72) Inventor: **Robert Bohanan**, Normal, IL (US)

(**) Term: **14 Years**

(21) Appl. No.: **29/472,205**

(22) Filed: **Nov. 9, 2013**

(51) **LOC (10) Cl.** **08-03**

(52) **U.S. Cl.**

USPC **D8/70**; D8/14; D7/412

(58) **Field of Classification Search**

USPC D7/99, 306–313, 317–318, 326, 356,
D7/376–386, 392, 397–399, 412–415, 607,
D7/665, 688, 693; D8/14; D15/12, 28,
D15/138; D32/35, 46, 54; 7/105, 170;
99/348, 509–511; 241/101.1,
241/274–278.2, 282.2, 285.1–285.3, 291,
241/292.1; 366/64–67, 98, 129, 192,
366/197–211, 251, 270, 279–292, 312,
366/327.3, 343, 605

See application file for complete search history.

(56) **References Cited**

U.S. PATENT DOCUMENTS

3,733,645 A * 5/1973 Seiler 15/257.01
4,176,797 A * 12/1979 Kemp 241/30
D277,729 S * 2/1985 Maxwell D8/14
D290,084 S * 6/1987 Klapperich D8/14
D366,596 S * 1/1996 Hewin D7/412
D393,180 S * 4/1998 VanWestrienen D7/412
D403,920 S * 1/1999 Pytlewski D7/412
D421,030 S * 2/2000 Panaccione et al. D15/147

D484,657 S * 12/2003 Scolley et al. D32/54
D512,292 S * 12/2005 Martin et al. D8/70
D563,069 S * 2/2008 Yovanovich et al. D32/54
D601,850 S * 10/2009 Ikuta D7/412
2012/0067147 A1* 3/2012 Huang et al. 74/409

OTHER PUBLICATIONS

“Helix Paint Mixer—5 Gallon Size.” Hardware World., Jul. 17, 2012 [online], [retrieved on Mar. 26, 2014]. Retrieved from the Internet <URL: <http://www.hardwareworld.com/Helix-Paint-Mixer--5-Gallon-Size-plRUA0K.aspx>>.*

“Mixing Paddle, 22 in. L, Chrome Plat.” Ackland Grainger., Apr. 25, 2013 [online], [retrieved on Mar. 26, 2014]. Retrieved from the Internet <URL: https://www.acklandsgrainger.com/AGIPortalWeb/WebSource/ProductDisplay/globalProductDetailDisplay.do?item_code=WWG5HXC8>.*

* cited by examiner

Primary Examiner — Philip S Hyder

Assistant Examiner — Darlington Ly

(74) *Attorney, Agent, or Firm* — Gulf Coast Intellectual Property Group

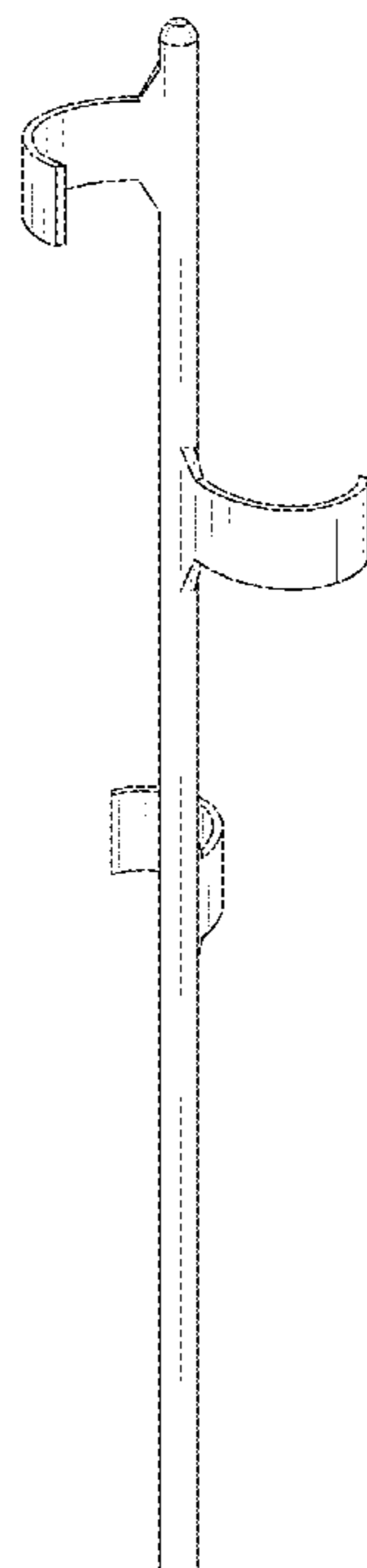
(57) **CLAIM**

The ornamental design for the paint stirring device, as shown and described.

DESCRIPTION

FIG. 1 is a perspective view of the present invention; and FIG. 2 is a bottom view of the present invention; and FIG. 3 is a top view of the present invention; and FIG. 4 is a left side view of the present invention; and FIG. 5 is a right side view of the present invention.

1 Claim, 2 Drawing Sheets



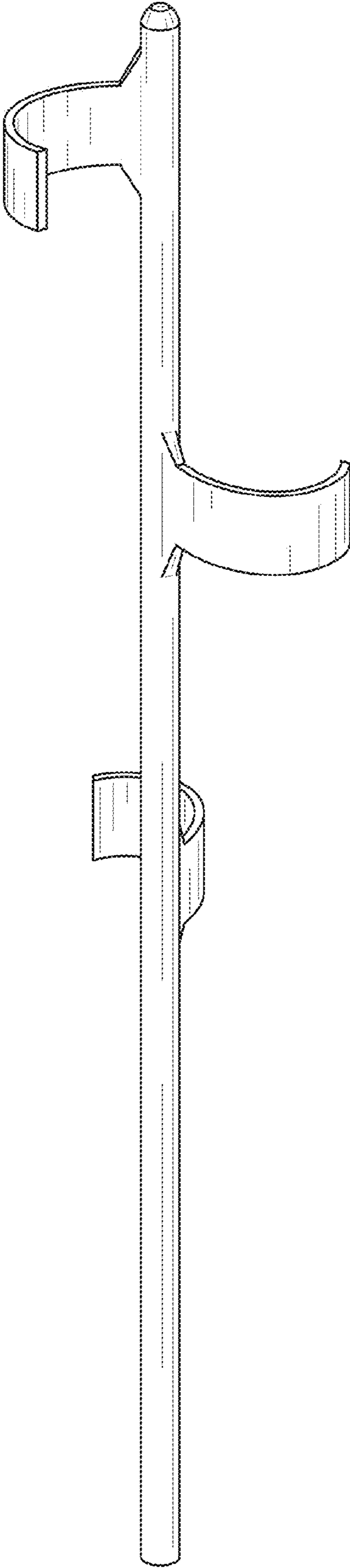


FIG. 1

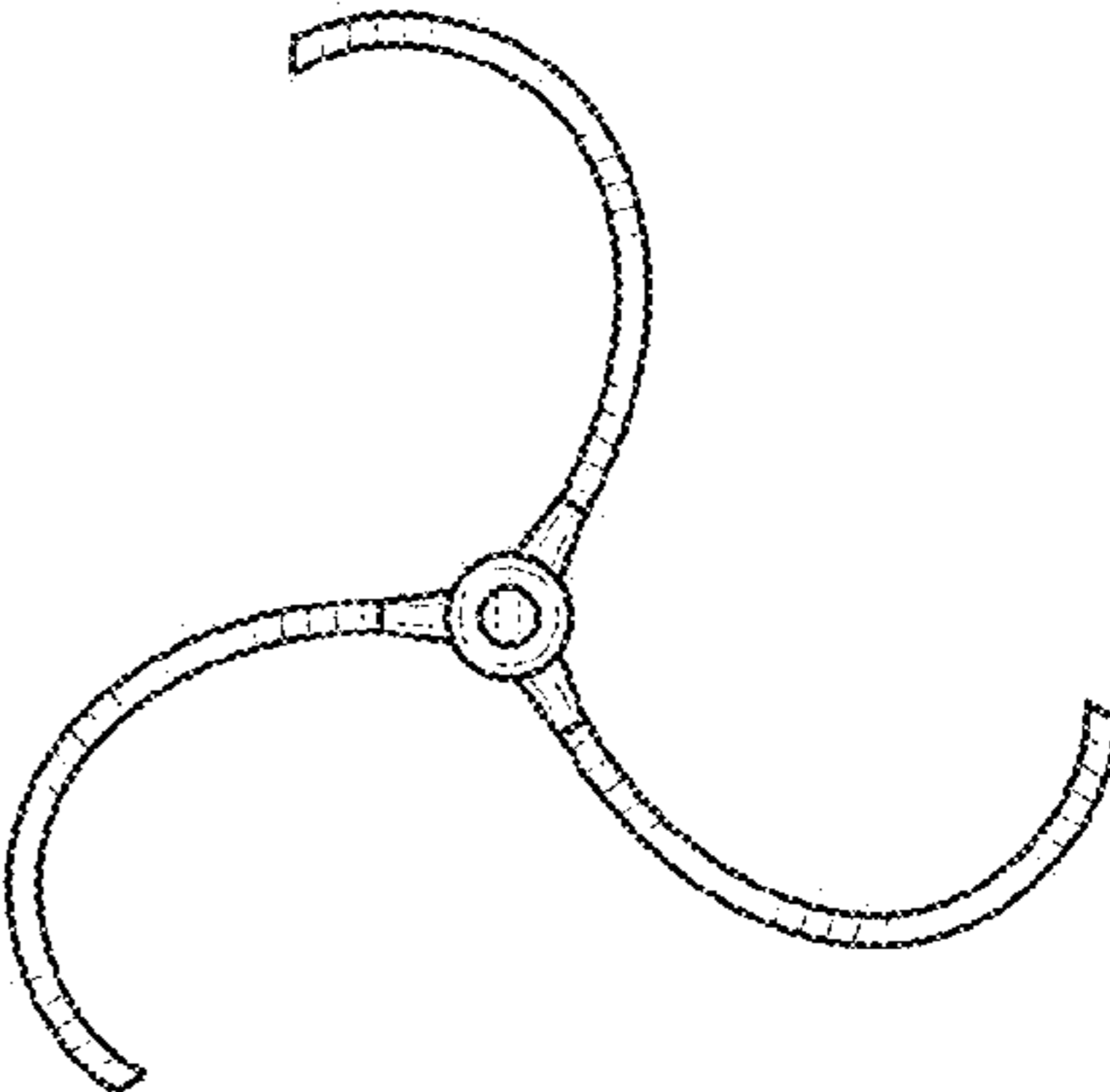


FIG. 2

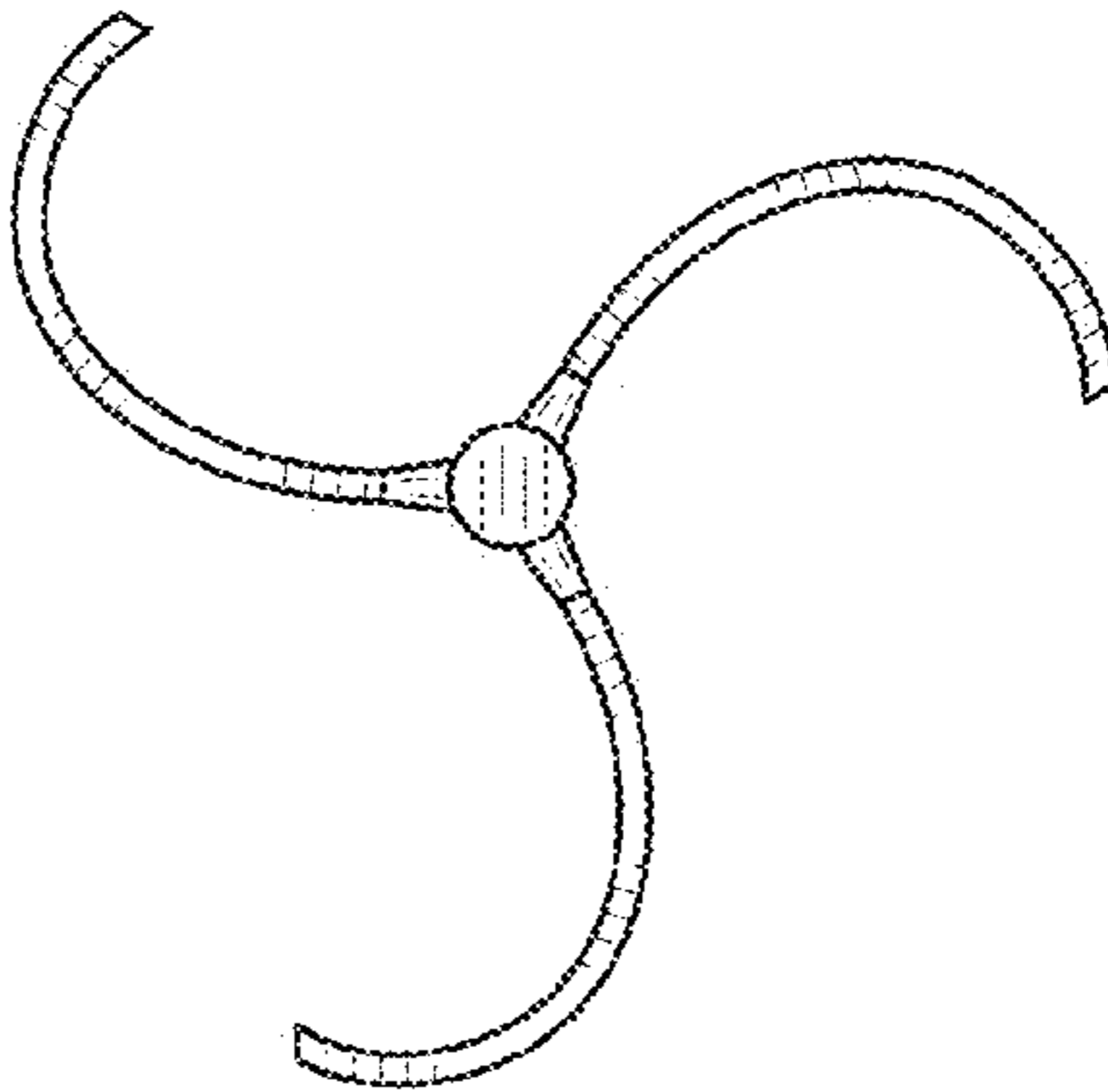


FIG. 3

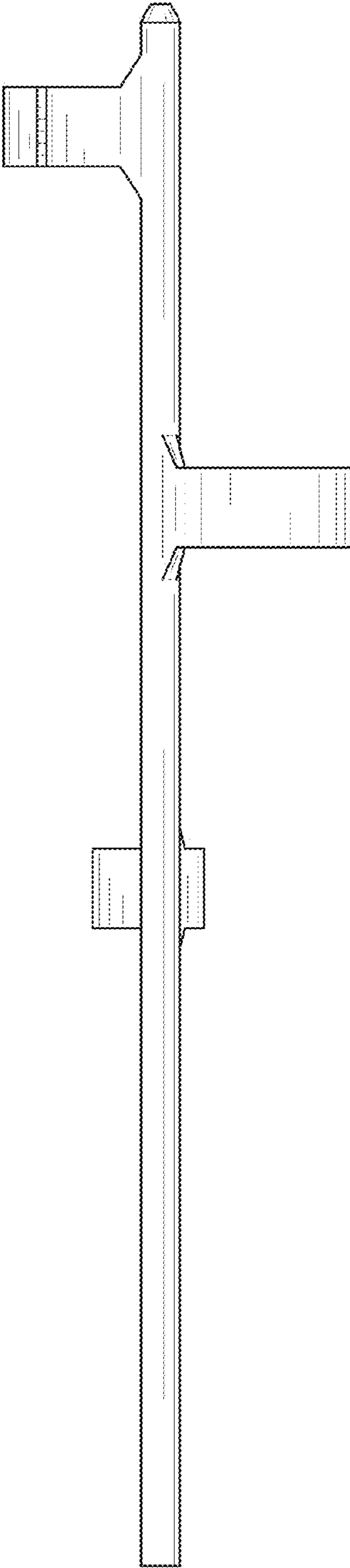


FIG. 4

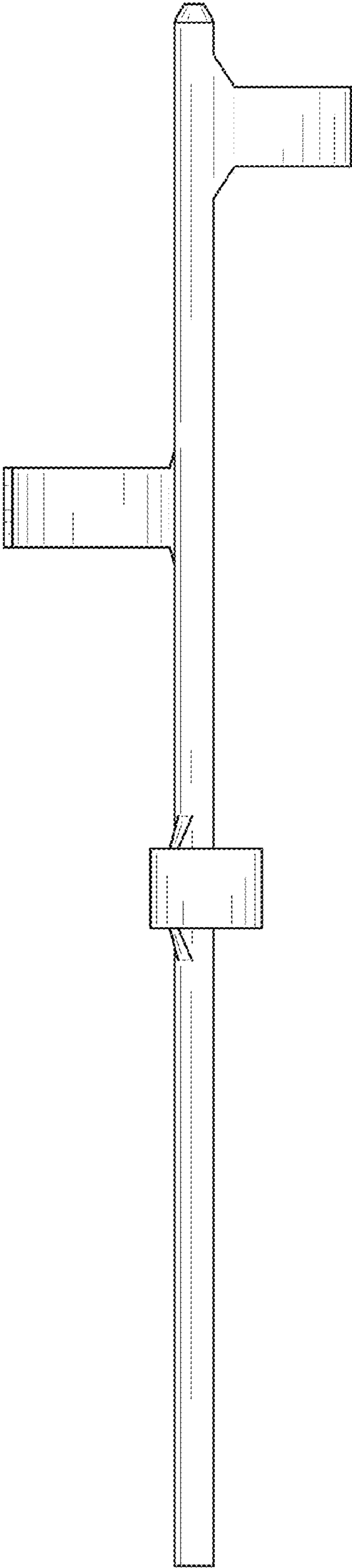


FIG. 5