



US00D708030S

(12) **United States Design Patent**
Cross

(10) **Patent No.:** **US D708,030 S**

(45) **Date of Patent:** **** Jul. 1, 2014**

(54) **GRANITE CUTTER**

(71) Applicant: **Christopher Cross**, Littleton, CO (US)

(72) Inventor: **Christopher Cross**, Littleton, CO (US)

(**) Term: **14 Years**

(21) Appl. No.: **29/444,257**

(22) Filed: **Jan. 29, 2013**

(51) **LOC (10) Cl.** **08-03**

(52) **U.S. Cl.**
USPC **D8/51; D15/129**

(58) **Field of Classification Search**
USPC D8/51, 52, 61, 98; D15/129, 127, 28;
D34/33, 35; 125/23.01, 36; 294/110.2,
294/110.1, 118
See application file for complete search history.

(56) **References Cited**

U.S. PATENT DOCUMENTS

3,886,927	A *	6/1975	Chattin	125/23.01
4,262,952	A *	4/1981	Bradley	294/116
4,530,536	A *	7/1985	Williams	294/118
4,545,609	A *	10/1985	Pasquazzi et al.	294/104
4,929,012	A *	5/1990	Slezak	294/86.41
5,364,147	A *	11/1994	Dickey et al.	294/118
6,240,913	B1 *	6/2001	Snell	125/23.01
6,331,025	B1 *	12/2001	Douglas	294/110.1

7,673,918	B2 *	3/2010	Cveykus	294/118
7,708,005	B2 *	5/2010	Lackner	125/23.01
7,819,112	B2 *	10/2010	Berg	125/23.01

* cited by examiner

Primary Examiner — Phillip S Hyder

(74) *Attorney, Agent, or Firm* — Mountain IP; Matthew Berman

(57) **CLAIM**

I claim the ornamental design of a granite cutter, as shown and described.

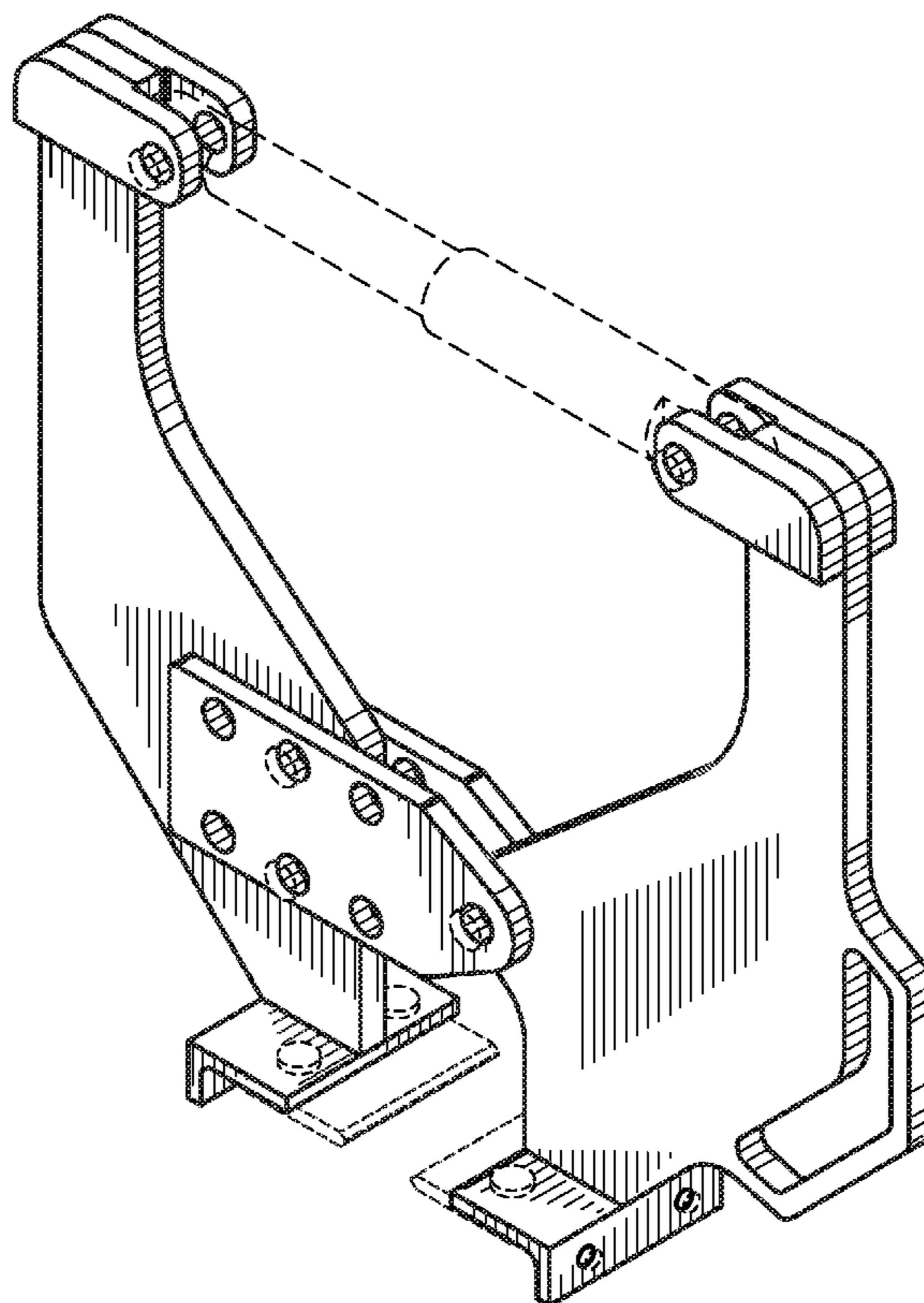
DESCRIPTION

FIG. 1. is a perspective view of the granite cutter;
FIG. 2. is a right-side view thereof;
FIG. 3 is a left side view thereof;
FIG. 4 is a front view thereof;
FIG. 5 is a backside view thereof;
FIG. 6. is a top view thereof; and,
FIG. 7. is a bottom view thereof.

The broken lines depict portions of the granite cutter in which the design is embodied that are not considered part of the claimed design.

The claimed granite cutter can be fitted with blades and hydraulics and can be used to cut sheets of granite or other hard materials.

1 Claim, 4 Drawing Sheets



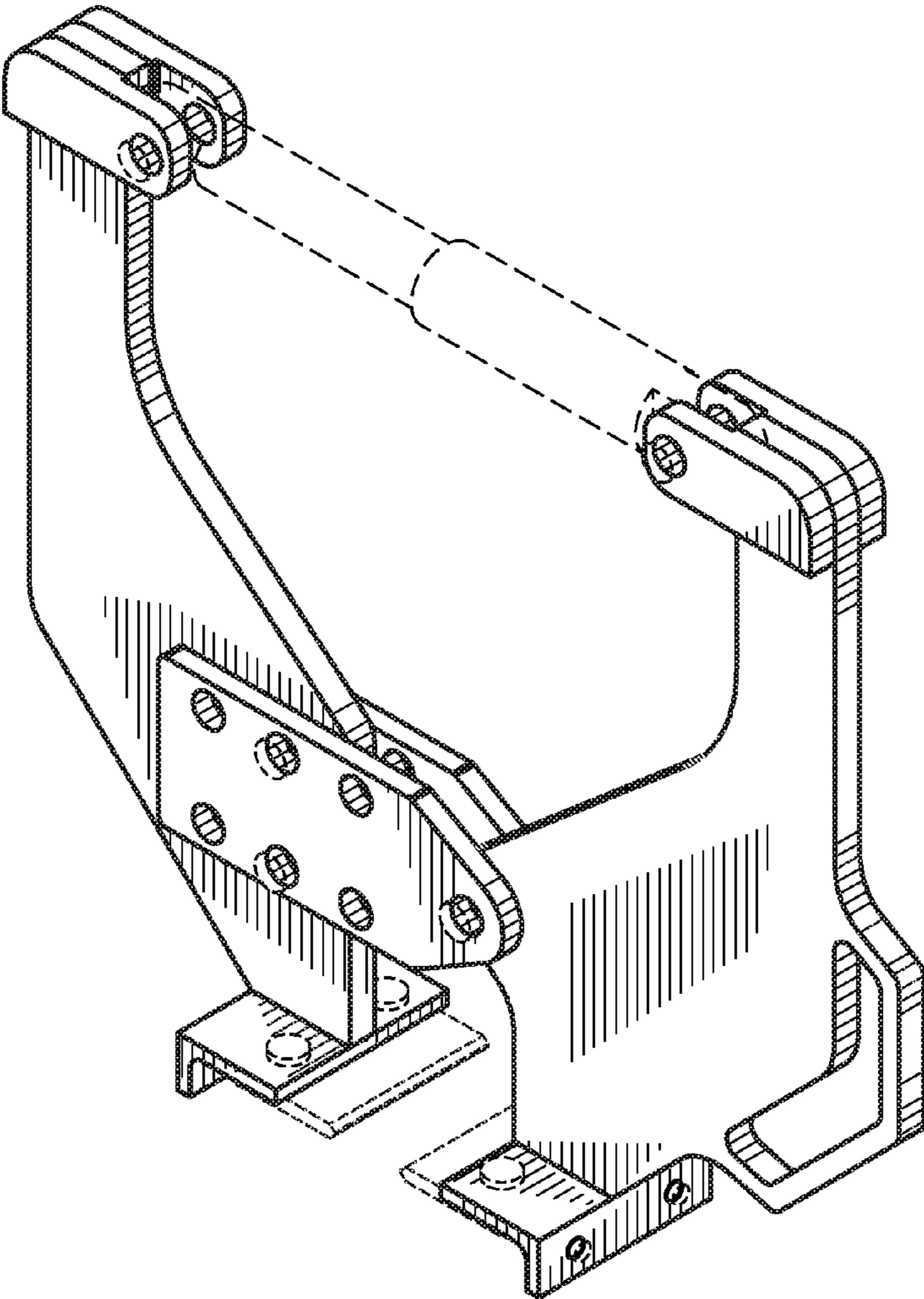


FIG. 1

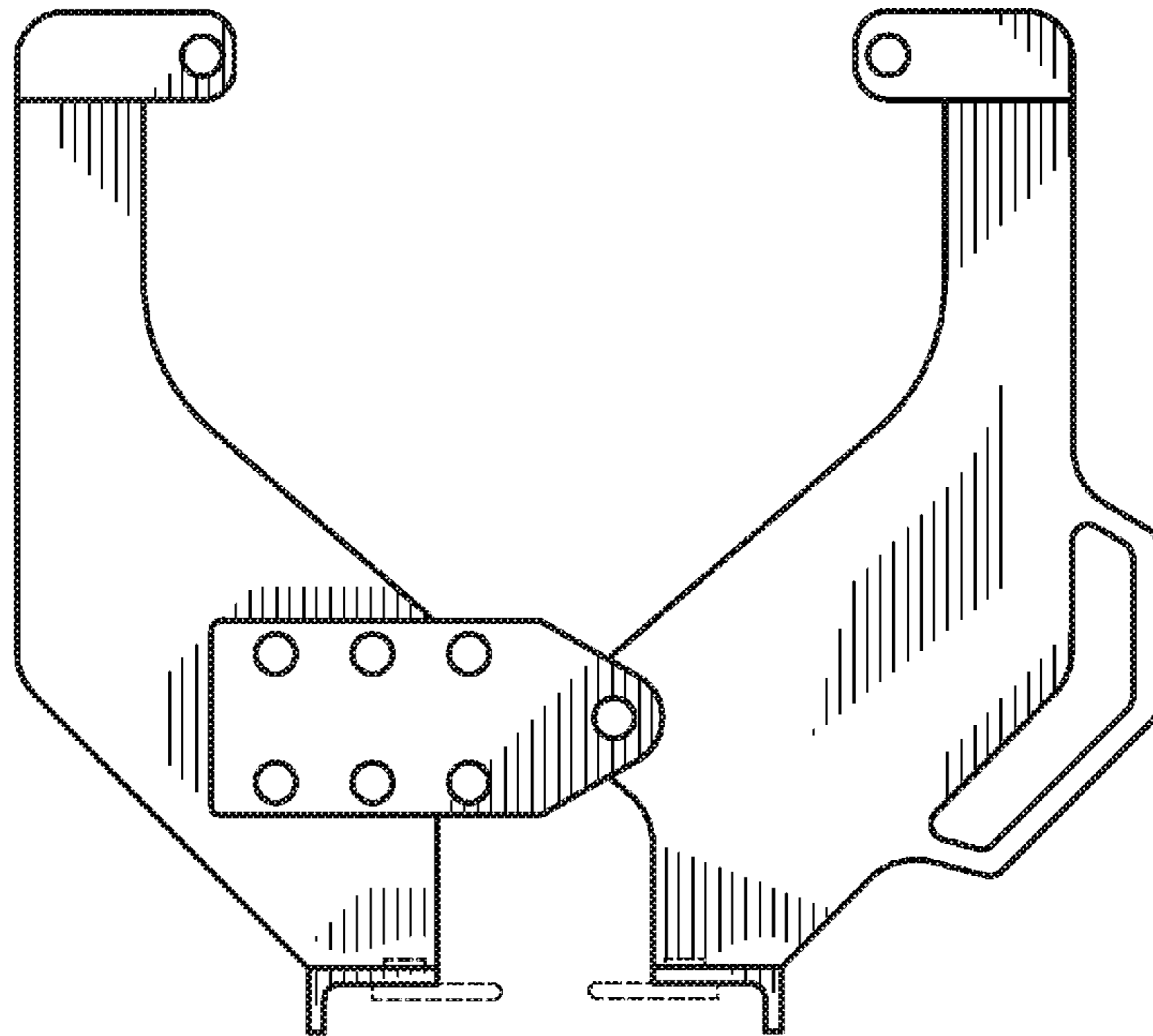


FIG. 2

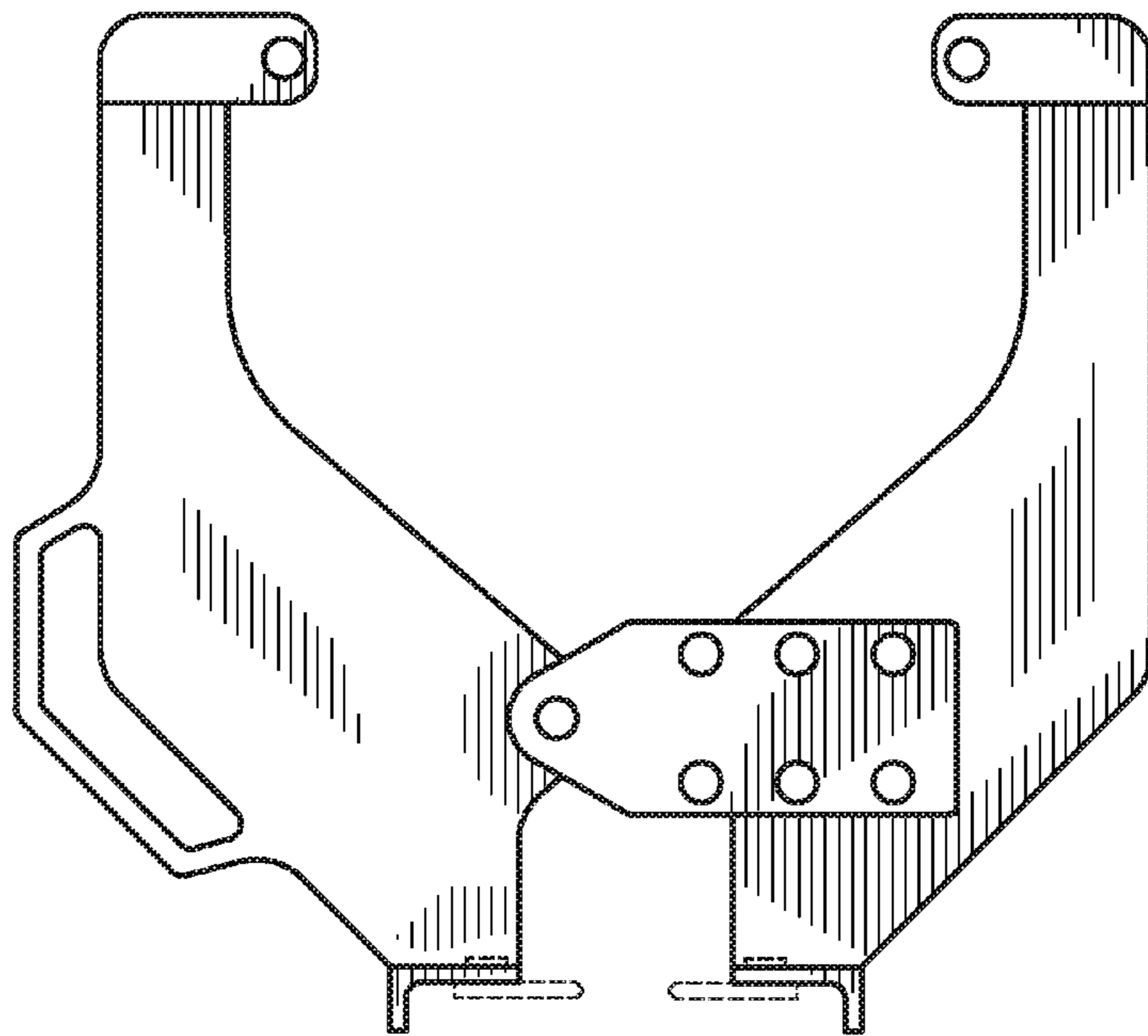


FIG. 3

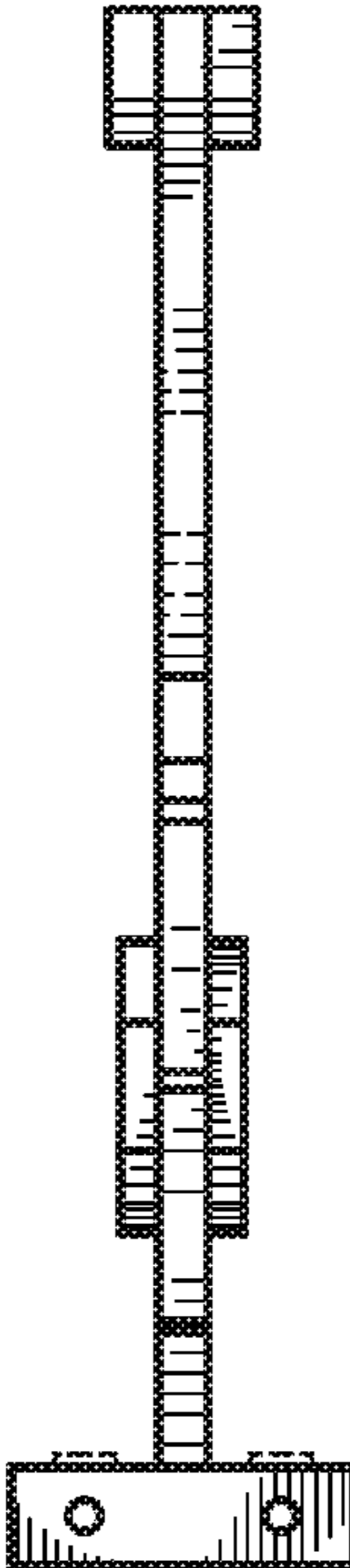


FIG. 4

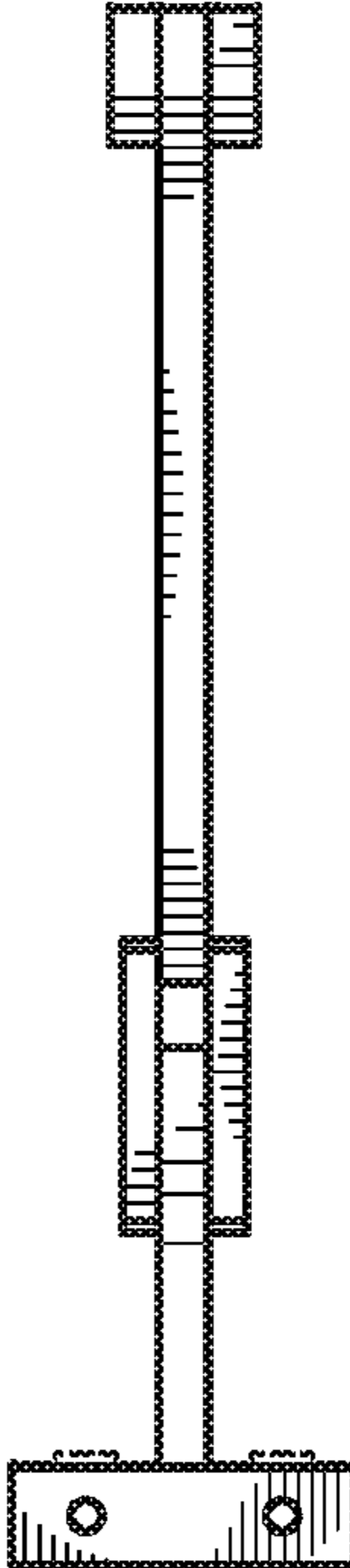


FIG. 5

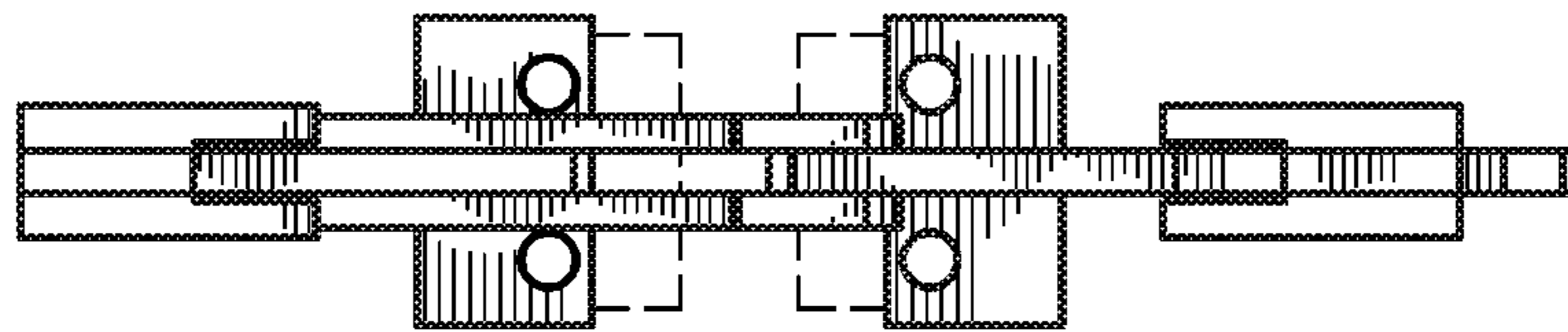


FIG. 6

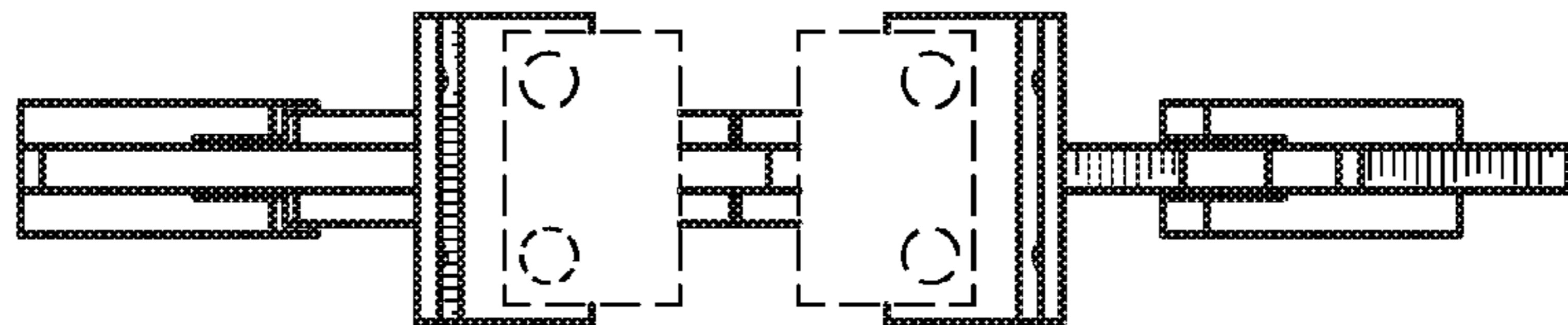


FIG. 7