



US00D708029S

(12) **United States Design Patent**  
**Kleiber, Jr.**

(10) **Patent No.:** **US D708,029 S**  
(45) **Date of Patent:** **\*\* Jul. 1, 2014**

- (54) **SAUSAGE END DECLIPPER**
- (76) Inventor: **James Scott Kleiber, Jr.**, Black Creek, WI (US)
- (\*\*) Term: **14 Years**
- (21) Appl. No.: **29/410,025**
- (22) Filed: **Jan. 3, 2012**
- (51) **LOC (10) Cl.** ..... **08-05**
- (52) **U.S. Cl.**  
USPC ..... **D8/51; D8/394**
- (58) **Field of Classification Search**  
USPC ..... D8/51, 52, 394; 452/48, 49, 166;  
30/234, 92; 83/350; 24/30.5 R  
See application file for complete search history.

- 8,113,925 B2 \* 2/2012 Reitz et al. .... 452/48
- D664,030 S \* 7/2012 Kleiber, Jr. .... D8/394
- D664,031 S \* 7/2012 Kleiber, Jr. .... D8/394

\* cited by examiner

*Primary Examiner* — Sheryl Lane  
(74) *Attorney, Agent, or Firm* — Steven H. Greenfield; Greenfield Inventor and Patent Consultin Inc.

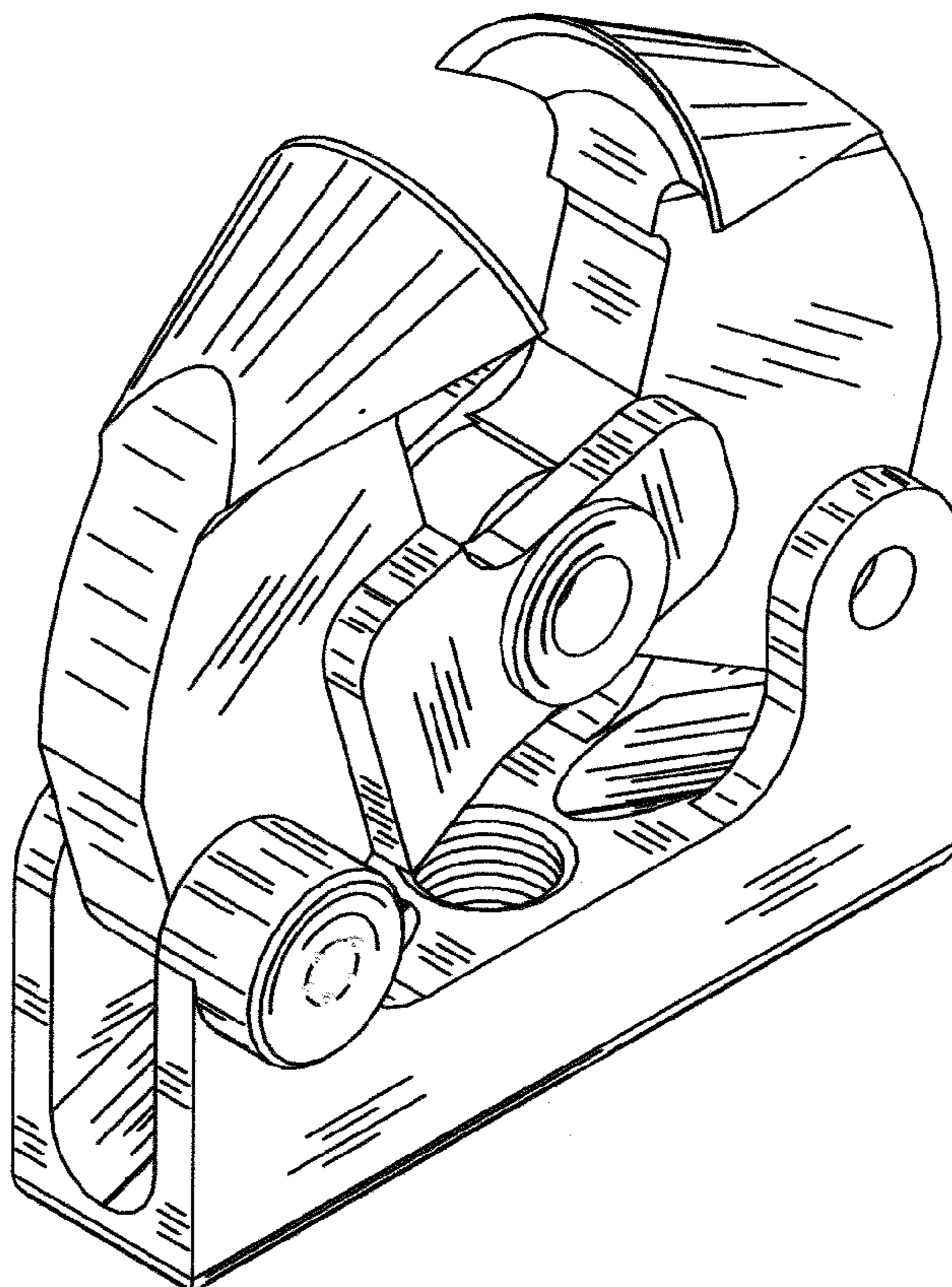
(57) **CLAIM**  
The ornamental design for a sausage end declipper, as shown and described.

**DESCRIPTION**

FIG. 1 is a top view of an ornamental sausage end declipper showing my new design;  
FIG. 2 is a bottom view thereof;  
FIG. 3 is a first side view thereof;  
FIG. 4 is a second side view thereof;  
FIG. 5 is a front view thereof;  
FIG. 6 is a rear view thereof;  
FIG. 7 is a first side perspective view thereof; and,  
FIG. 8 is a second side perspective view thereof.  
The broken lines represent portions of the article and form no part of the claimed design.

- (56) **References Cited**  
U.S. PATENT DOCUMENTS  
627,090 A \* 6/1899 Bixler ..... 30/234  
3,158,895 A \* 12/1964 Hilgeland ..... 83/350  
4,949,428 A \* 8/1990 Simon ..... 24/30.5 R  
6,062,971 A \* 5/2000 Baertlein ..... 452/49  
D613,571 S \* 4/2010 Quante ..... D8/57

**1 Claim, 8 Drawing Sheets**



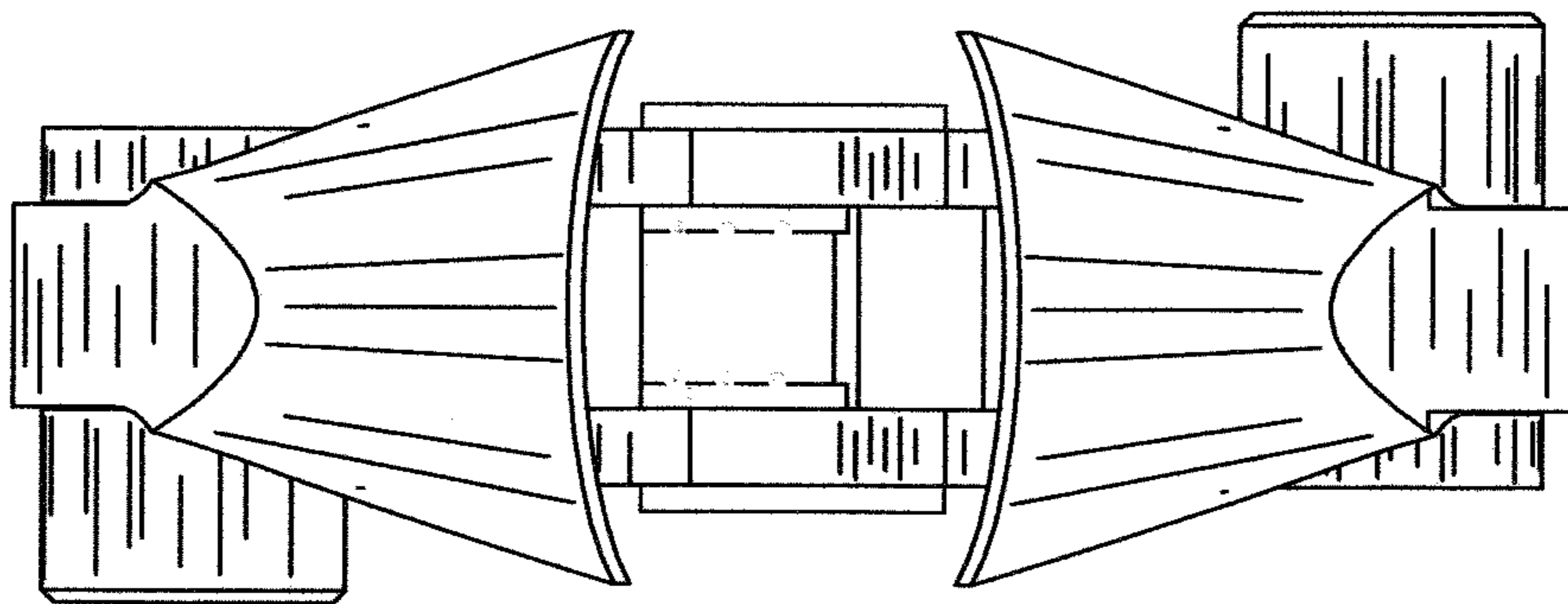


FIG. 1

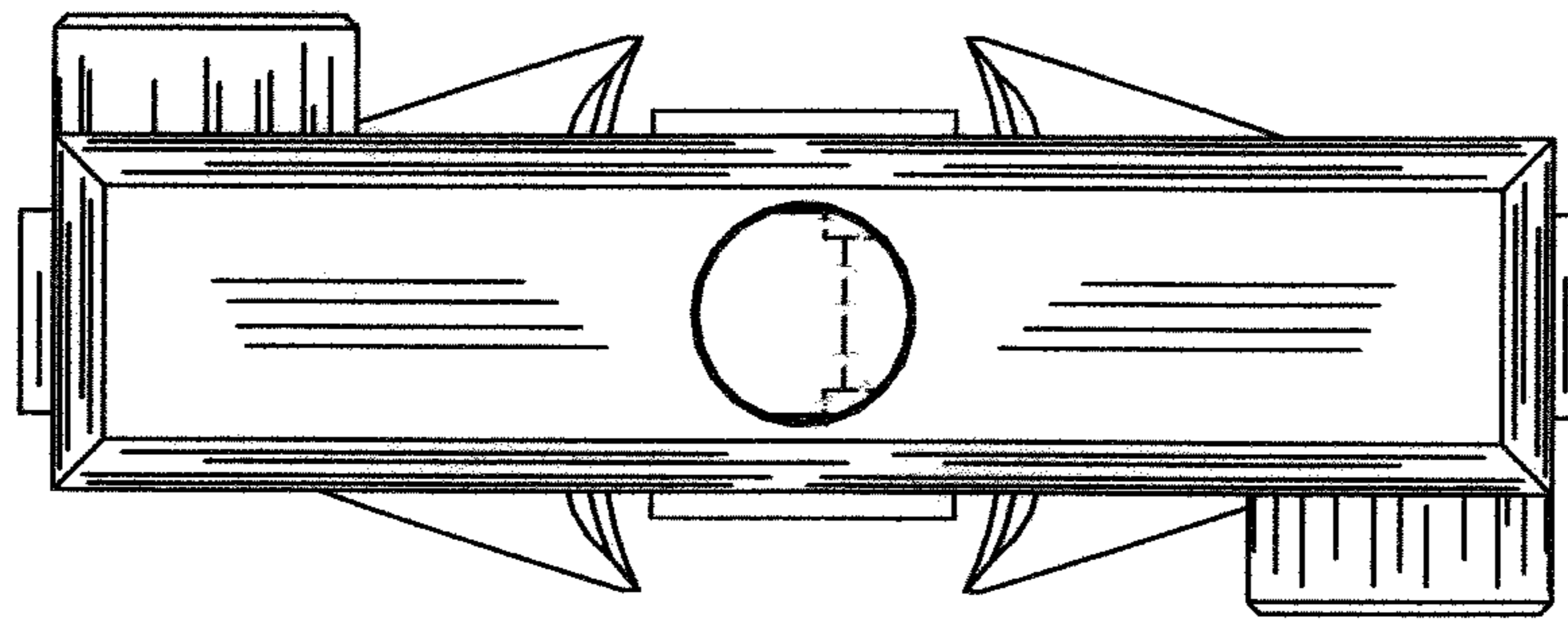


FIG. 2

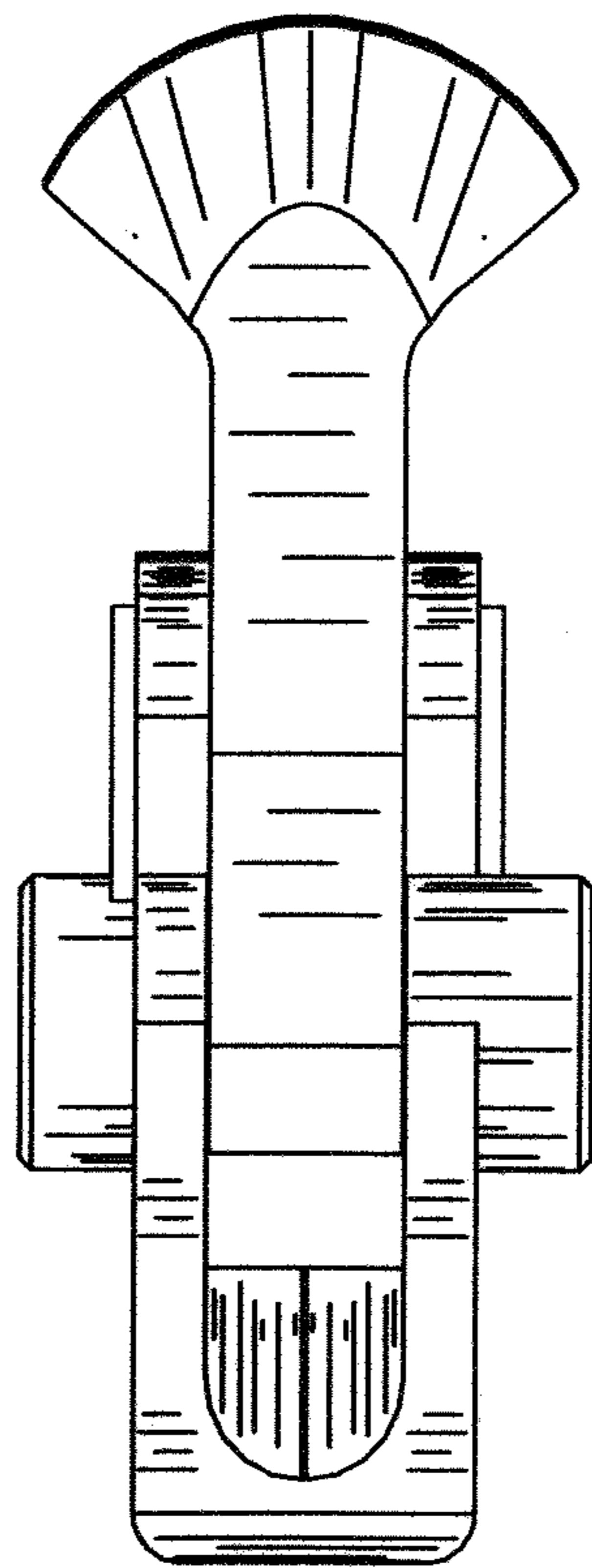


FIG. 3

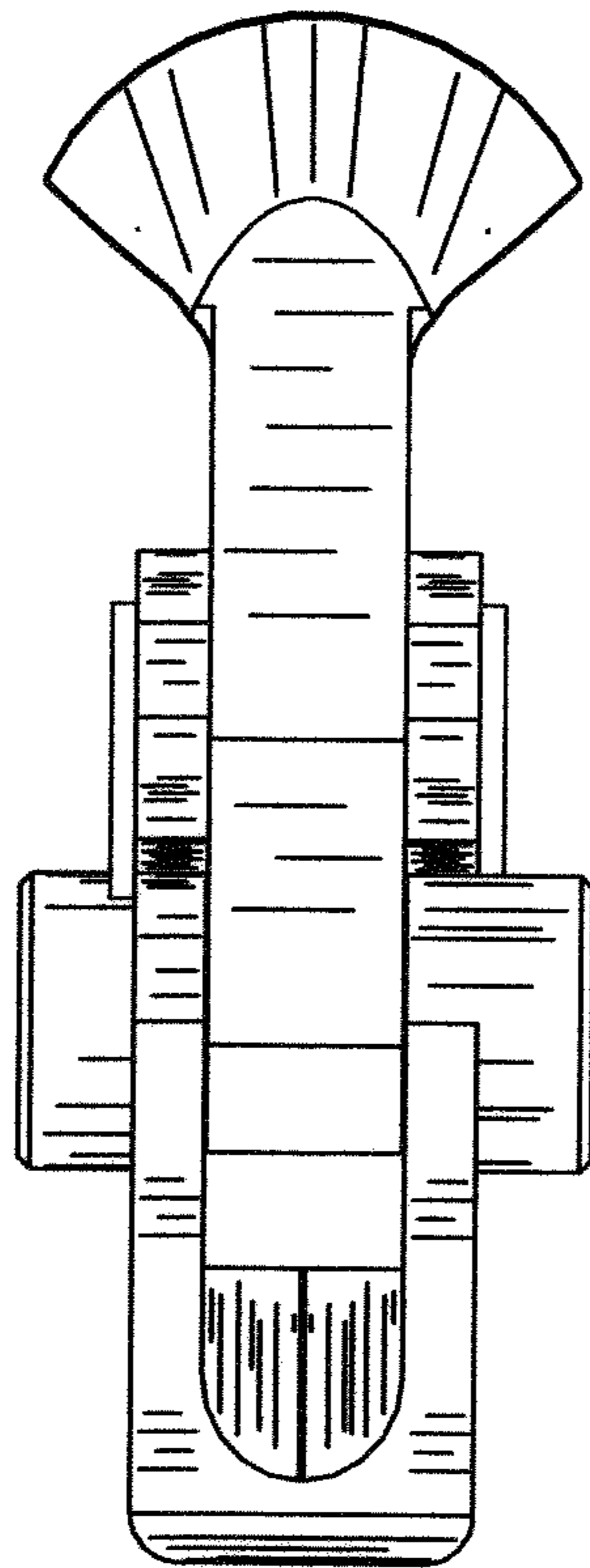


FIG. 4

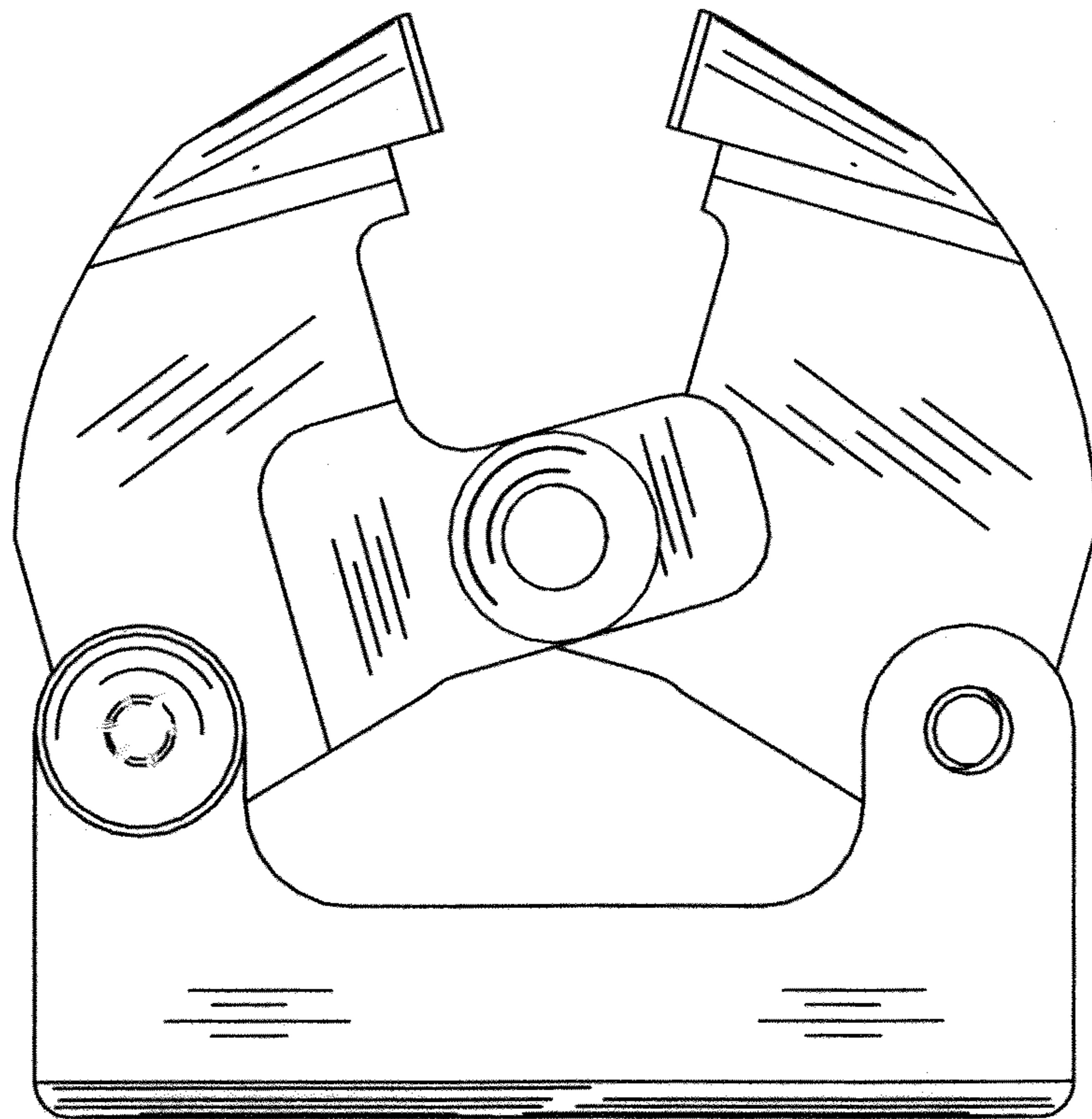


FIG. 5

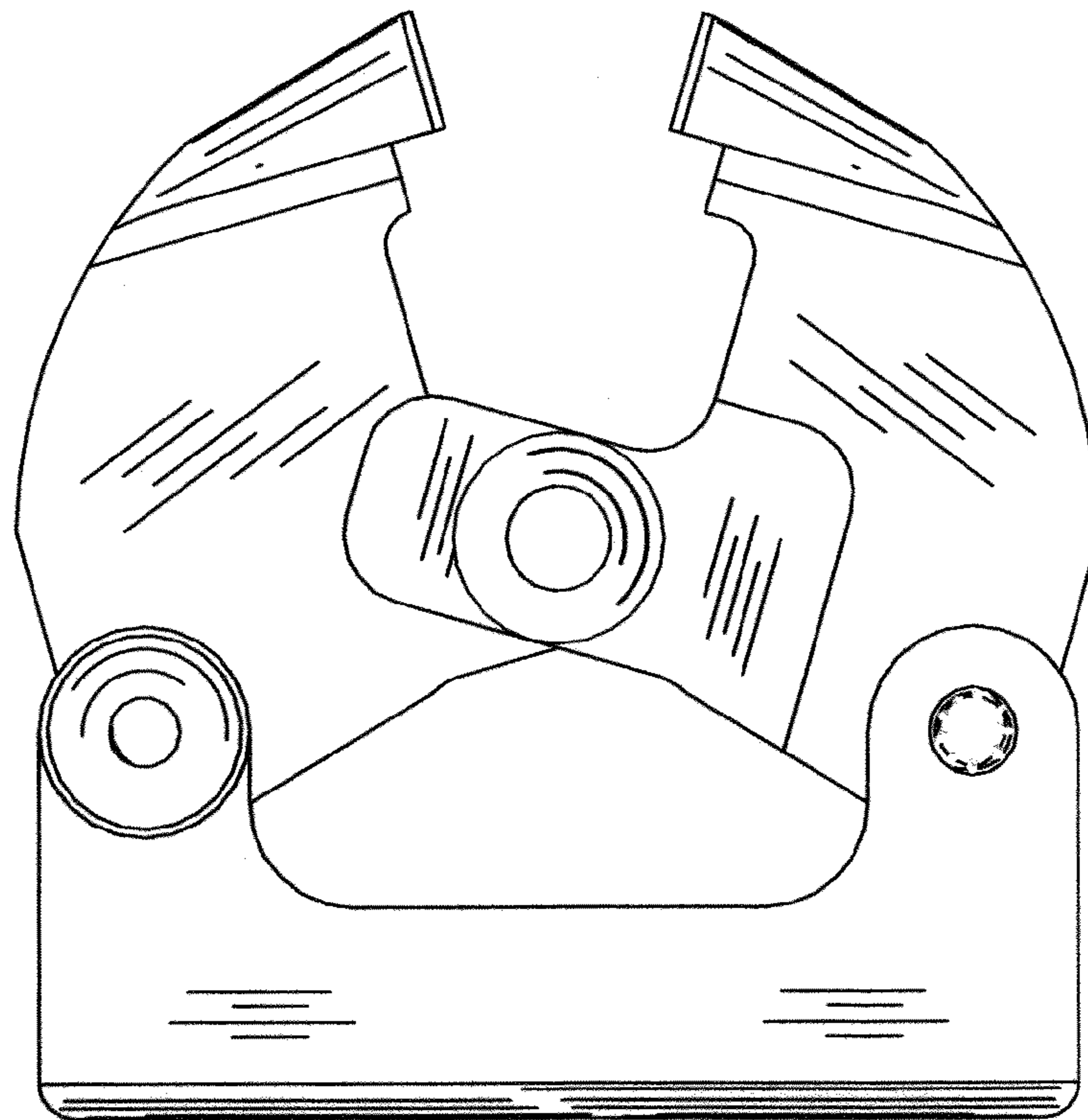


FIG. 6

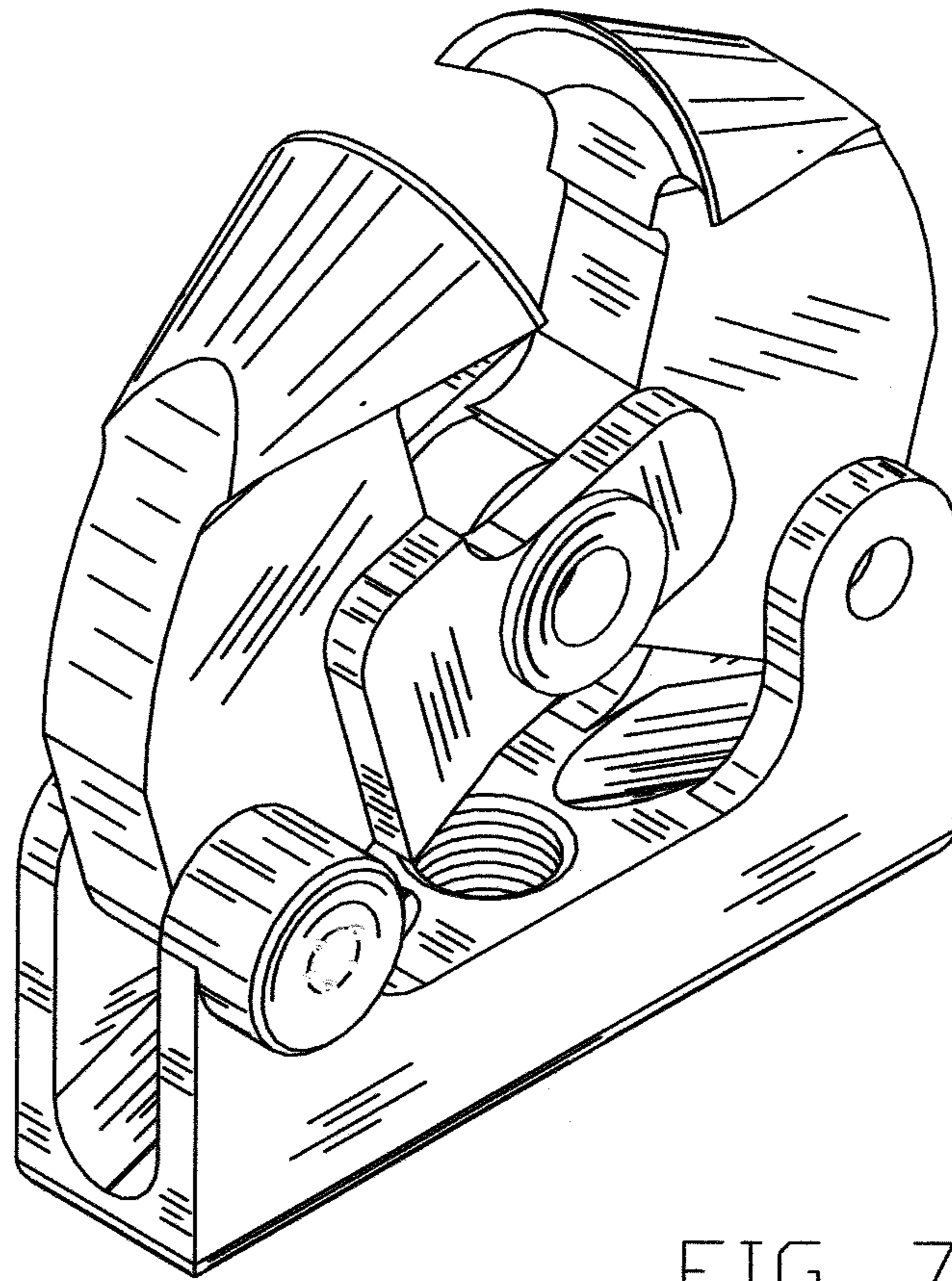


FIG. 7



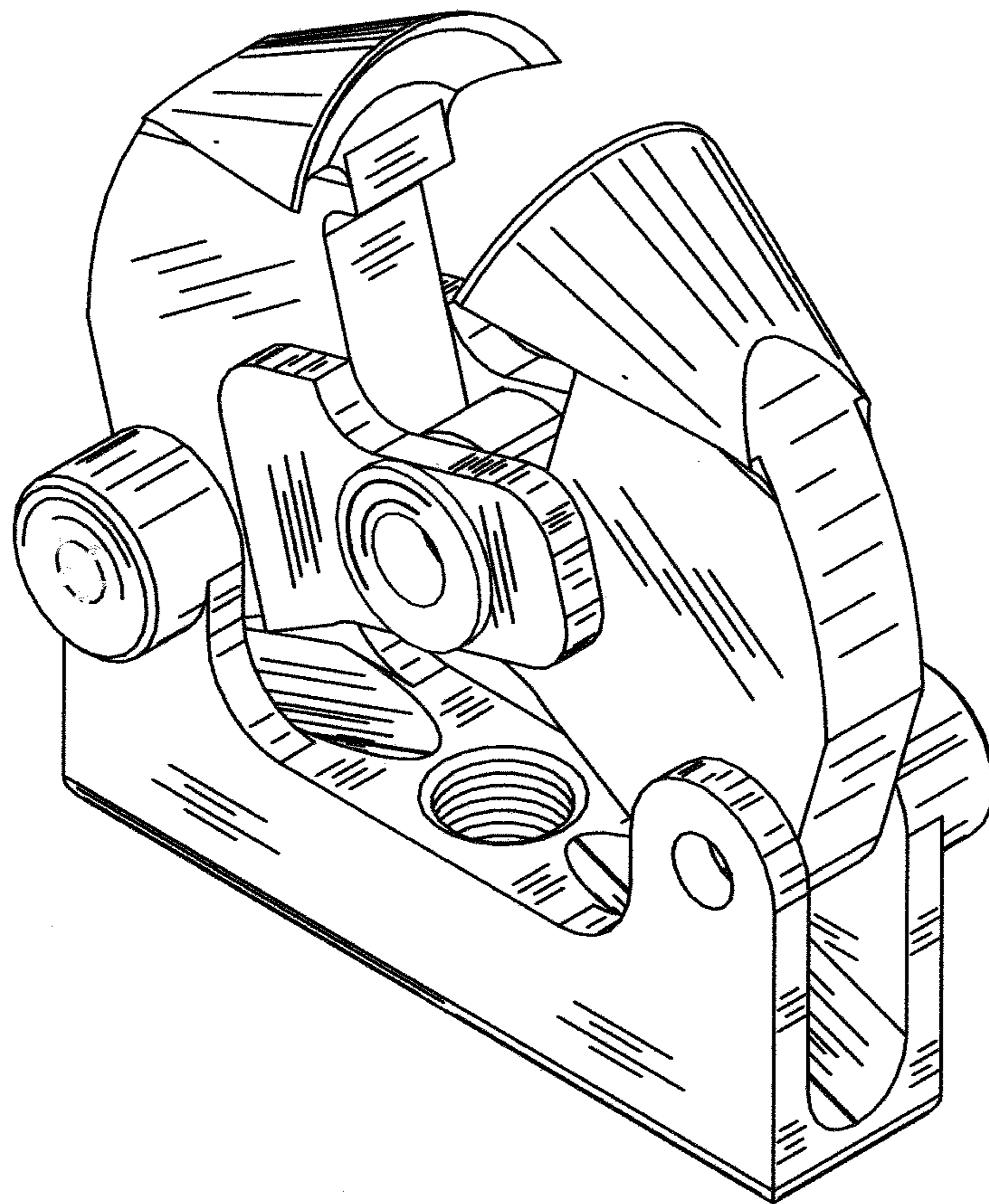


FIG. 8