



US00D708024S

(12) **United States Design Patent**  
**Spector**

(10) **Patent No.:** **US D708,024 S**

(45) **Date of Patent:** **\*\* Jul. 1, 2014**

(54) **MALLET WITH BOTTLE OPENER**

(71) Applicant: **Scott L. Spector**, Easton, MD (US)

(72) Inventor: **Scott L. Spector**, Easton, MD (US)

(\*\*) Term: **14 Years**

(21) Appl. No.: **29/446,731**

(22) Filed: **Feb. 27, 2013**

(51) **LOC (10) Cl.** ..... **07-04**

(52) **U.S. Cl.**  
USPC ..... **D7/682; D8/34**

(58) **Field of Classification Search**  
USPC ..... D8/33-43, 88, 89, 105; 7/151-156;  
30/400-410, 416-430, 433, 434, 443,  
30/450; 81/3.07, 3.09, 3.2, 3.27, 3.29,  
81/3.31, 3.35, 3.37, 3.4, 3.45  
See application file for complete search history.

(56) **References Cited**

**U.S. PATENT DOCUMENTS**

- D43,877 S \* 4/1913 Laws ..... D8/77
- 2,019,009 A 10/1935 Hendrix
- 2,155,683 A \* 4/1939 Riedel ..... 81/26
- D179,018 S \* 10/1956 Lowe ..... D8/77
- 3,128,131 A \* 4/1964 Bianchini ..... 403/248
- D299,404 S 1/1989 Demanczyk, Jr.
- 4,882,955 A \* 11/1989 Savnik ..... 81/20
- 5,056,381 A \* 10/1991 Carnein ..... 76/103
- D372,743 S \* 8/1996 Ringo ..... D21/400
- 5,593,346 A 1/1997 Washington
- D477,517 S \* 7/2003 Siemers ..... D8/78

- D506,905 S 7/2005 Lee
- D533,619 S 12/2006 Kaloustian
- D685,620 S \* 7/2013 Wysoczynski et al. .... D8/40
- D693,190 S \* 11/2013 Spector ..... D7/682

\* cited by examiner

*Primary Examiner* — Elizabeth Albert

(74) *Attorney, Agent, or Firm* — J.A. Lindeman & Co., PLLC

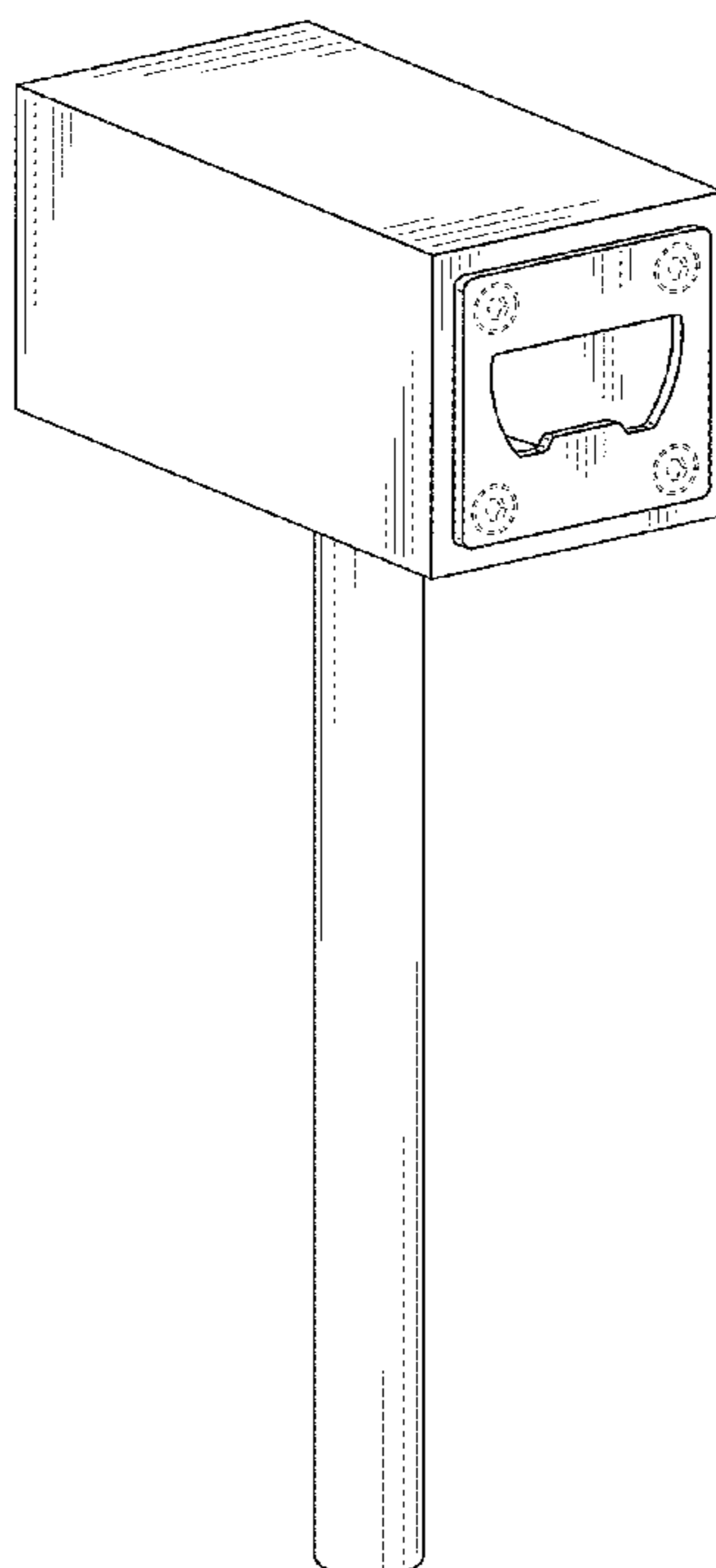
(57) **CLAIM**

The ornamental design for a mallet with bottle opener, as shown and described.

**DESCRIPTION**

FIG. 1 is a front and left side perspective view of the mallet with bottle opener showing my new design;  
 FIG. 2 is a rear view of the mallet and bottle opener of FIG. 1;  
 FIG. 3 is a front view of the mallet and bottle opener of FIG. 1;  
 FIG. 4 is a right side view of the mallet and bottle opener of FIG. 1;  
 FIG. 5 is a top view of the mallet and bottle opener of FIG. 1;  
 and,  
 FIG. 6 is a bottom view of the mallet and bottle opener of FIG. 1.  
 The screw holes and circles around them shown in broken lines in FIGS. 1 and 3 are included to show portions that form no part of the claimed design.

**1 Claim, 3 Drawing Sheets**



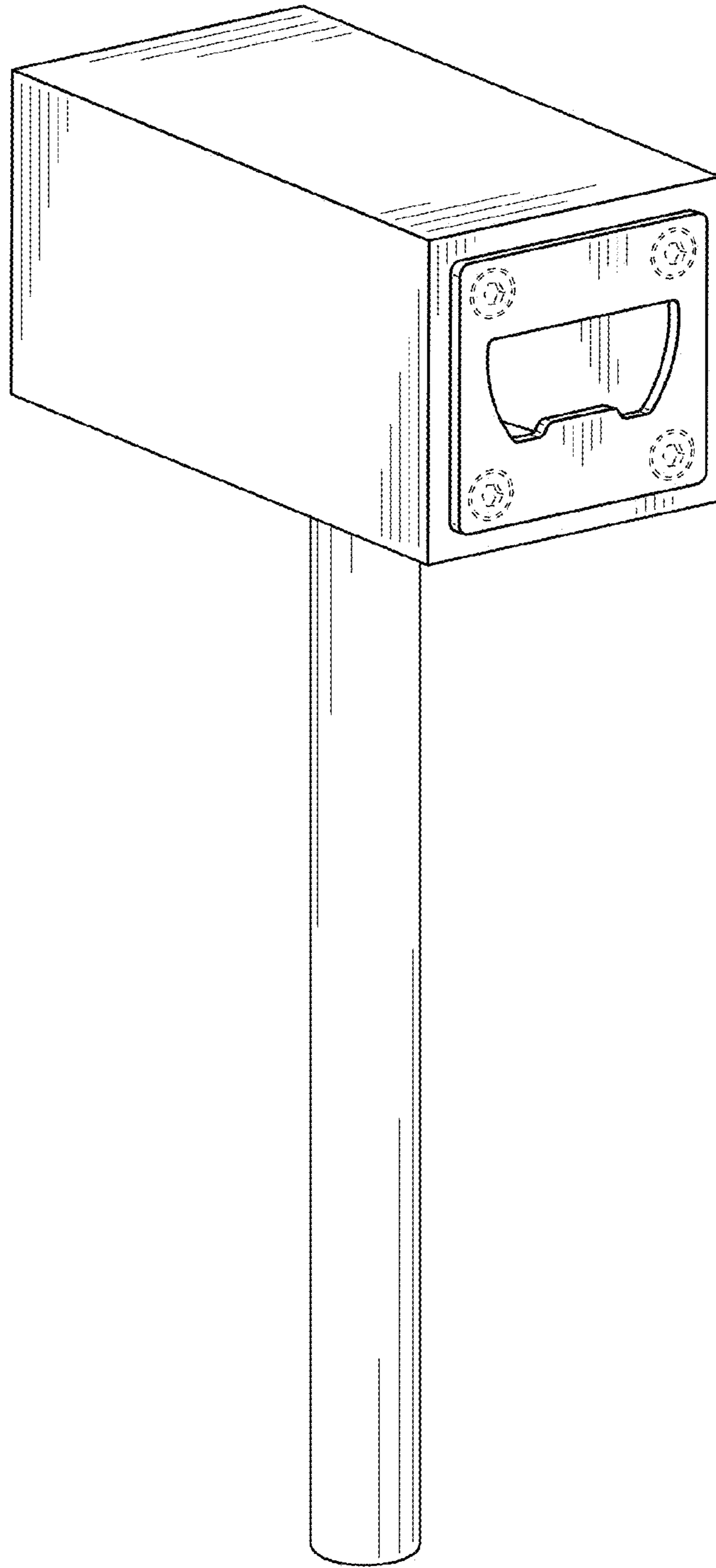


FIG. 1

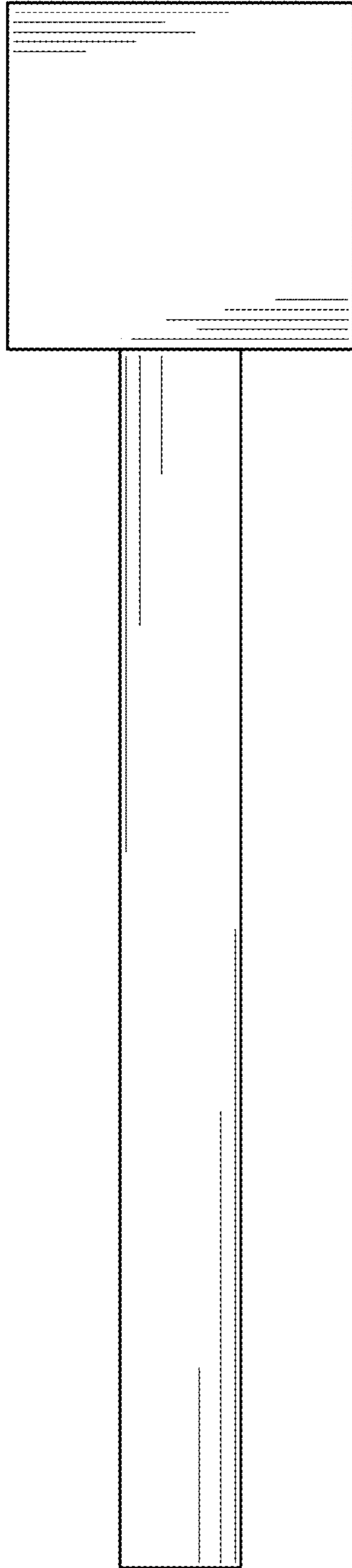


FIG. 2

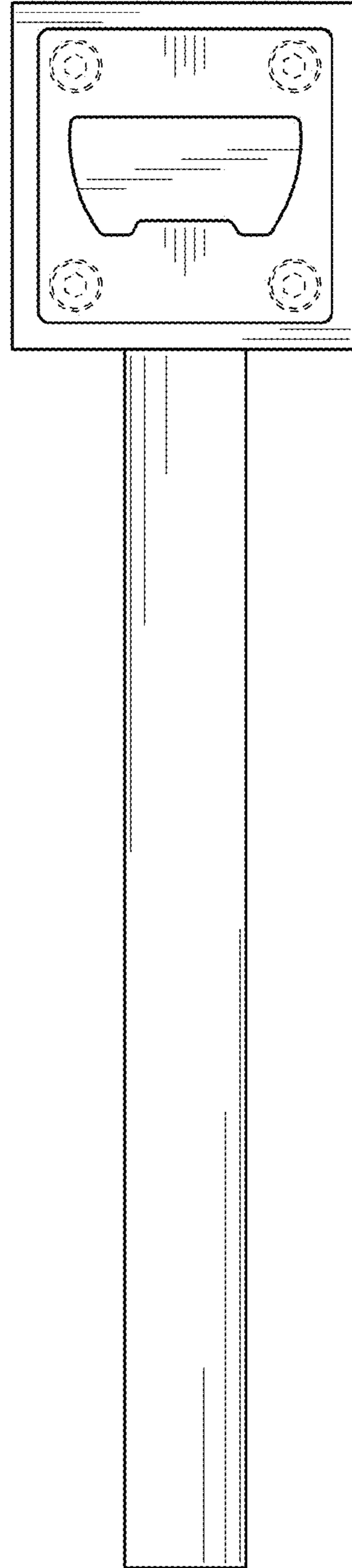


FIG. 3

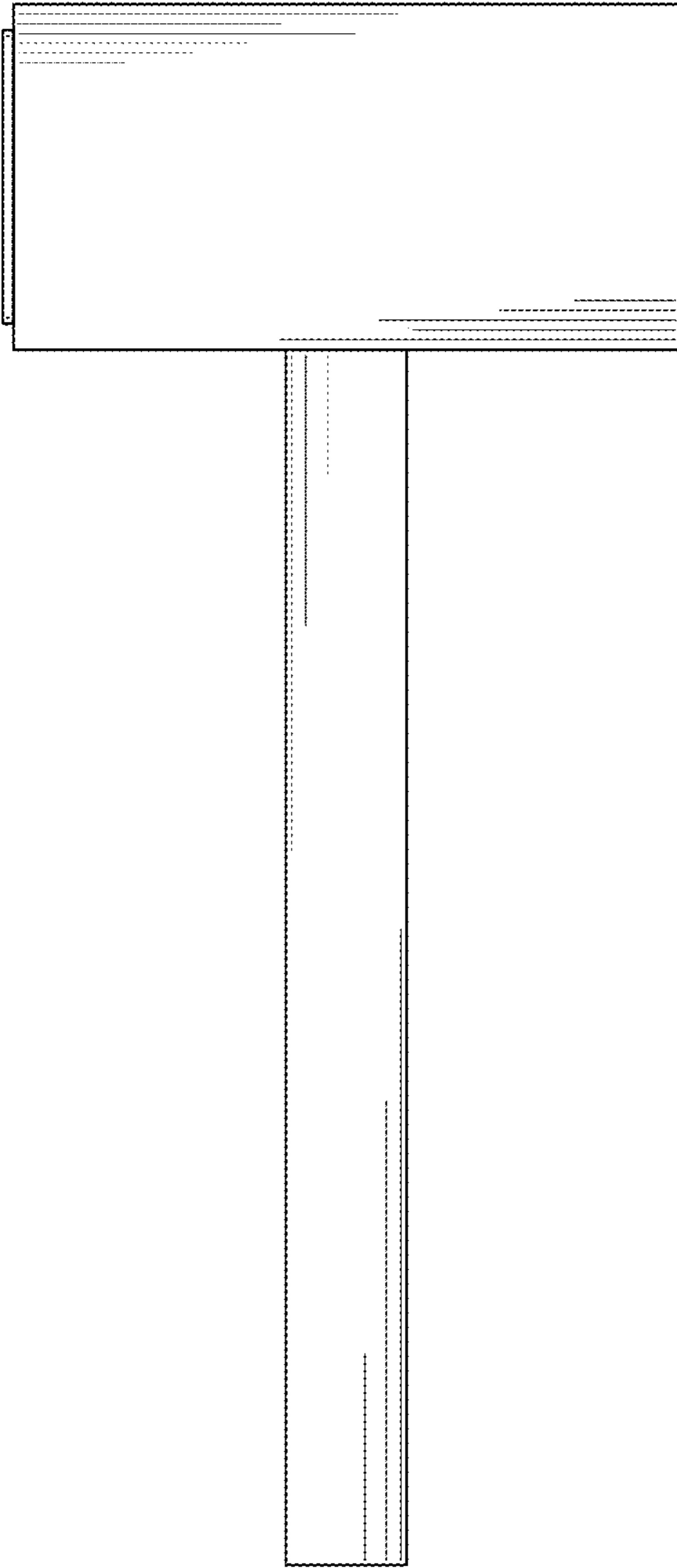


FIG. 4

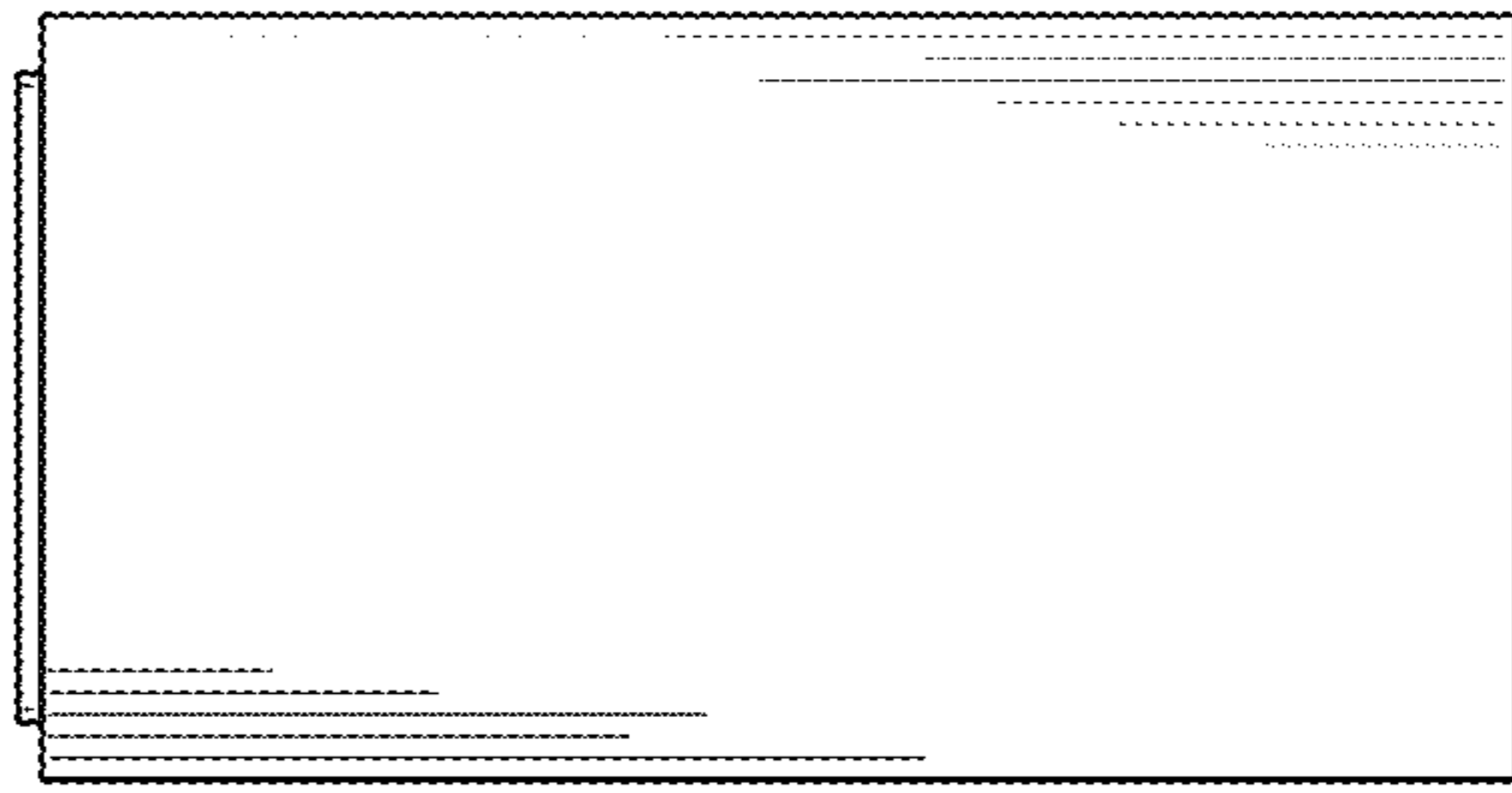


FIG. 5

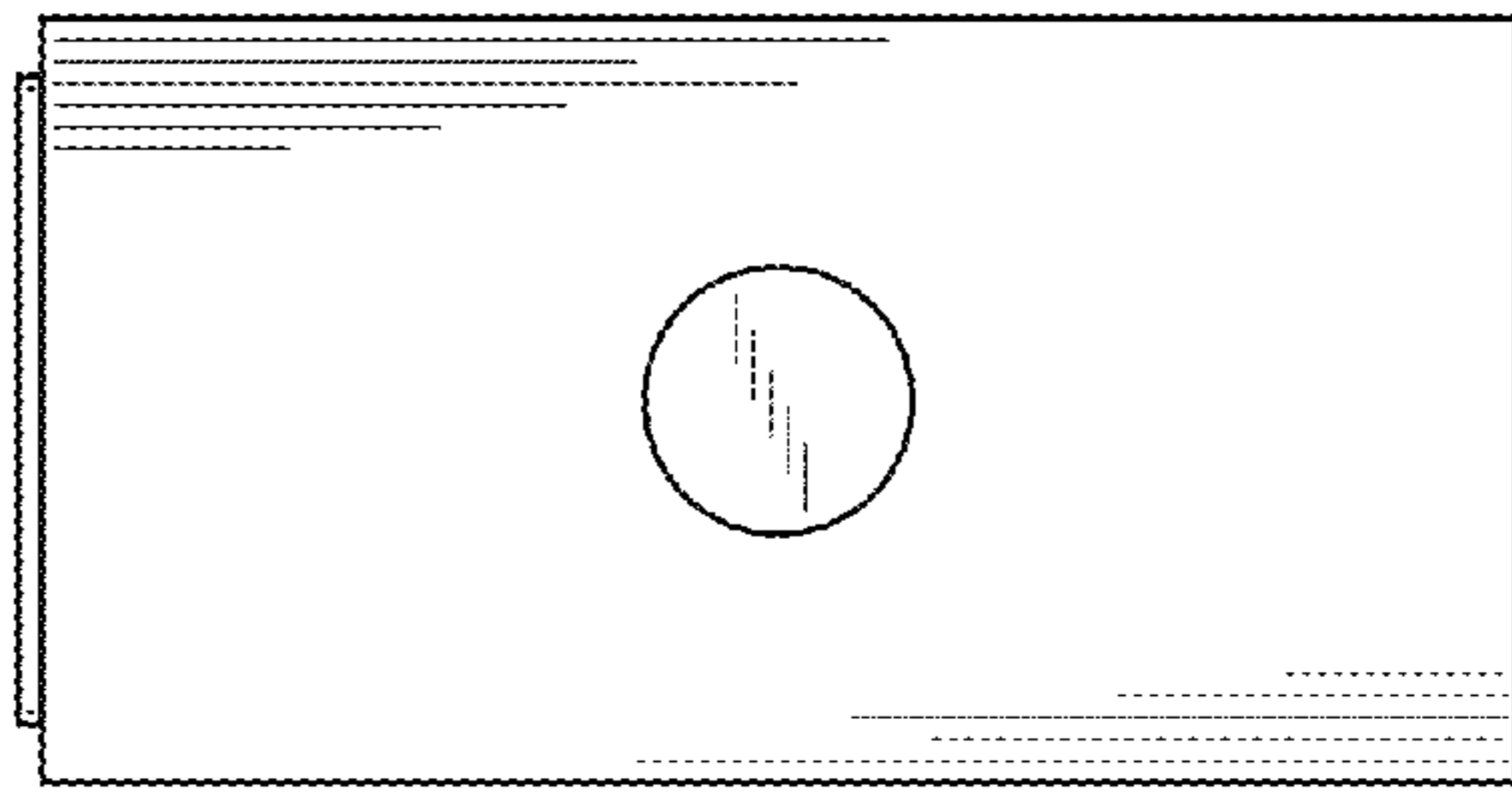


FIG. 6