



US00D708022S

(12) **United States Design Patent**
Breuss et al.

(10) **Patent No.:** **US D708,022 S**
(45) **Date of Patent:** **** Jul. 1, 2014**

(54) **CUTLERY INSERT**

(71) Applicant: **Julius Blum GmbH**, Hochst (AT)

(72) Inventors: **Markus Breuss**, Altach (AT); **Monika Unterkofler**, Dornbirn (AT)

(73) Assignee: **Julius Blum GmbH**, Hochst (AT)

(**) Term: **14 Years**

(21) Appl. No.: **29/462,699**

(22) Filed: **Aug. 7, 2013**

(30) **Foreign Application Priority Data**

Feb. 11, 2013 (EM) 2181966-0001

Feb. 11, 2013 (EM) 2181966-0003

(51) **LOC (10) Cl.** **06-06**

(52) **U.S. Cl.**
USPC **D7/641**

(58) **Field of Classification Search**
CPC A47B 88/20
USPC D7/637-641, 701-708, 600.1-600.4,
D7/550.1, 553.1, 553.2; D3/304, 313, 314;
D6/705, 705.7, 706, 707.18, 707.19;
D19/75, 77, 78, 81-83; 312/348.3;
211/85.31, 70.1, 70.6, 70.7, 126.9,
211/60.1; 220/574-575; 206/553, 557, 562,
206/564

See application file for complete search history.

(56) **References Cited**

U.S. PATENT DOCUMENTS

| | | | | | | |
|--------------|----|---|---------|----------------|-------|---------|
| D332,553 | S | * | 1/1993 | Giugiaro | | D7/637 |
| D439,085 | S | * | 3/2001 | Quinn | | D6/510 |
| D455,921 | S | * | 4/2002 | Quinn | | D6/510 |
| D527,229 | S | * | 8/2006 | Joy | | D7/637 |
| D562,641 | S | * | 2/2008 | Dretzka | | D7/637 |
| 8,047,373 | B2 | * | 11/2011 | Murphy | | 206/553 |
| 2008/0202976 | A1 | * | 8/2008 | Burgess et al. | | 206/558 |

* cited by examiner

Primary Examiner — Terry Wallace

(74) *Attorney, Agent, or Firm* — Wenderoth, Lind & Ponack, L.L.P.

(57) **CLAIM**

The ornamental design for a cutlery insert, as shown described.

DESCRIPTION

FIG. 1 is a perspective view of the first embodiment of a cutlery insert;
FIG. 2 is a right side view thereof;
FIG. 3 is a top view thereof;
FIG. 4 is a front view thereof;
FIG. 5 is a left side view thereof;
FIG. 6 is a back view thereof;
FIG. 7 is a bottom view thereof;
FIG. 8 is a perspective view of the second embodiment of a cutlery insert;
FIG. 9 is a right side view thereof;
FIG. 10 is a top view thereof;
FIG. 11 is a front view thereof;
FIG. 12 is a left side view thereof;
FIG. 13 is a back view thereof; and,
FIG. 14 is a bottom view thereof.

1 Claim, 14 Drawing Sheets

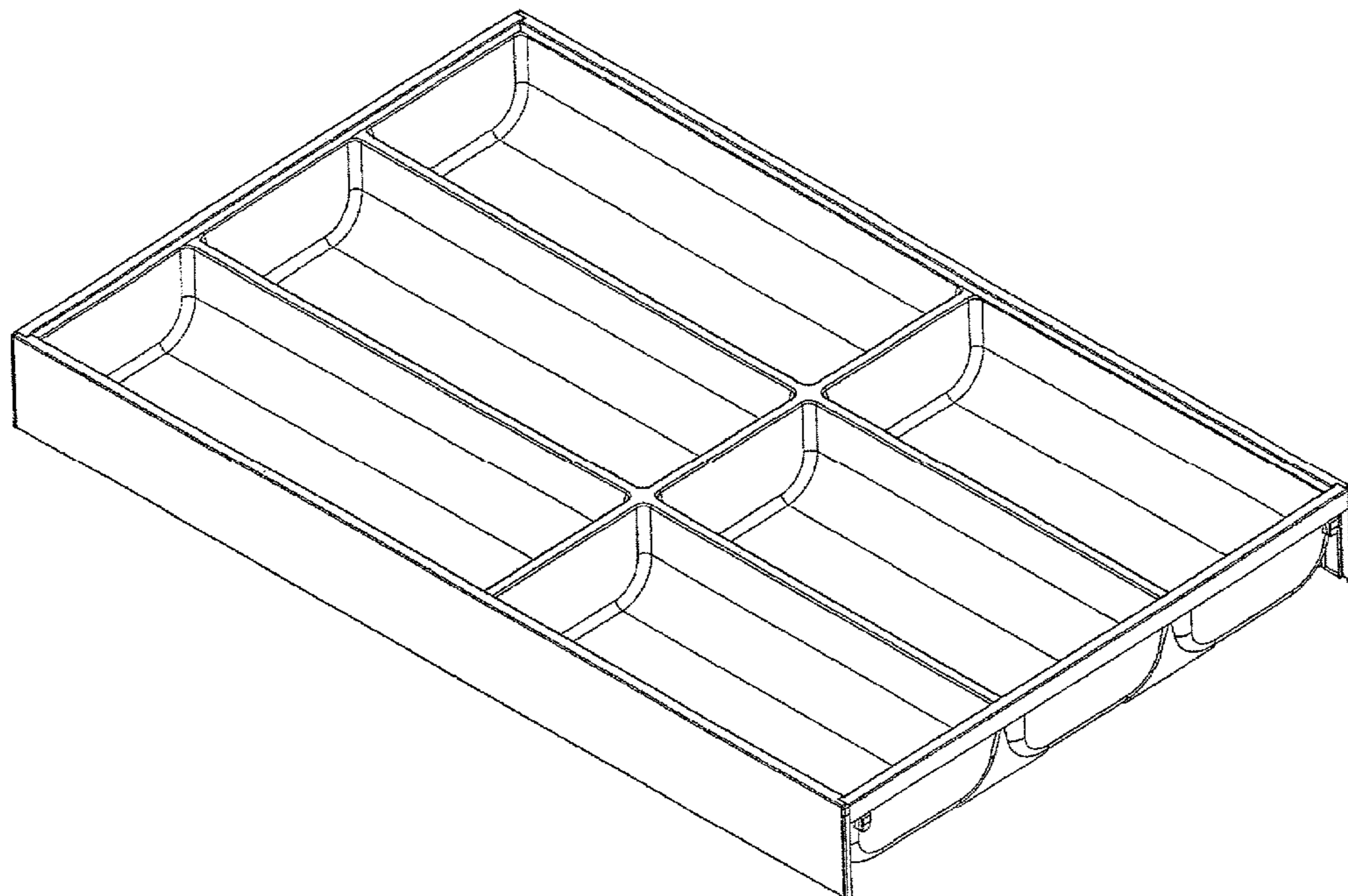


Fig. 1

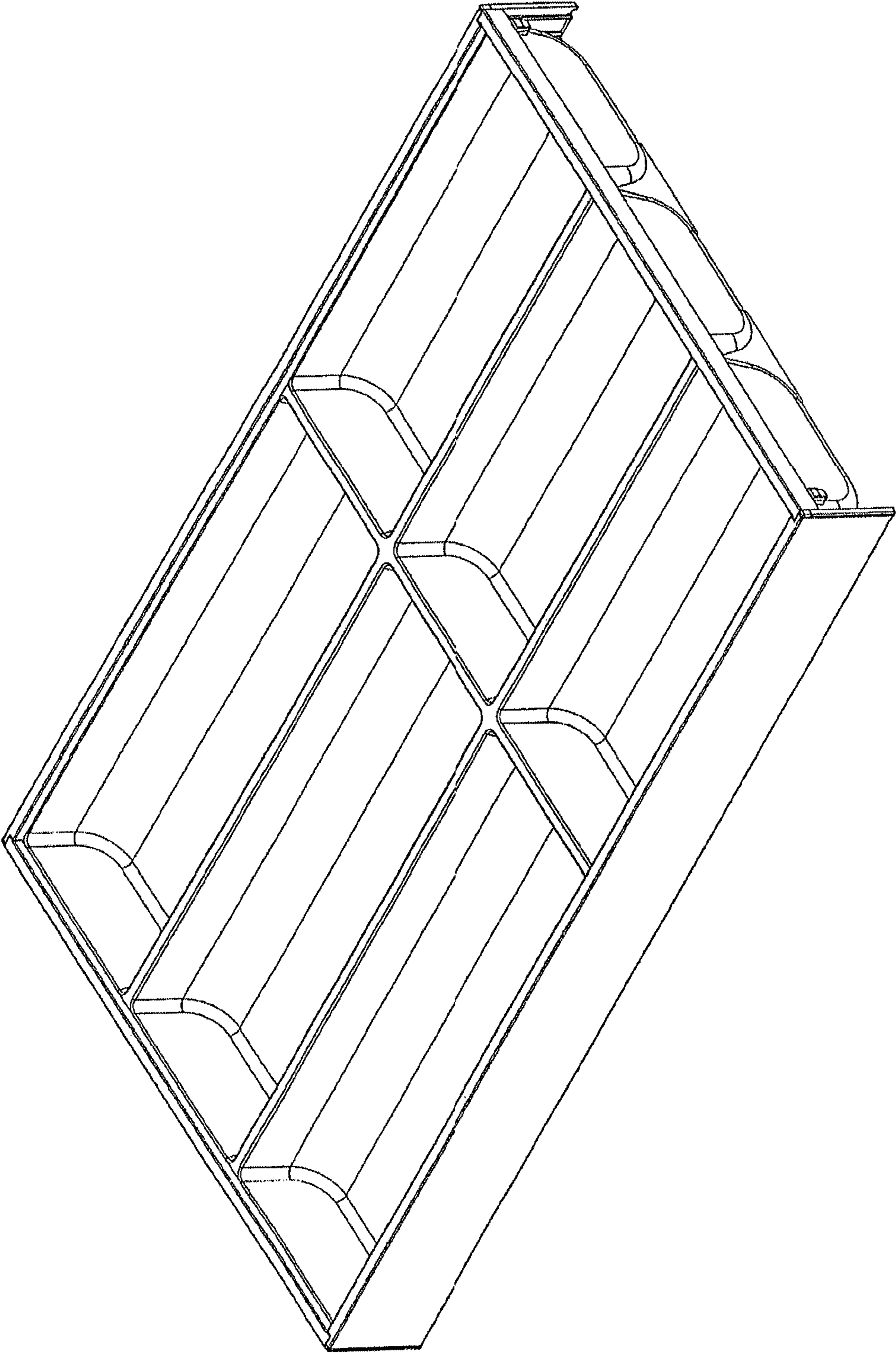


Fig. 2

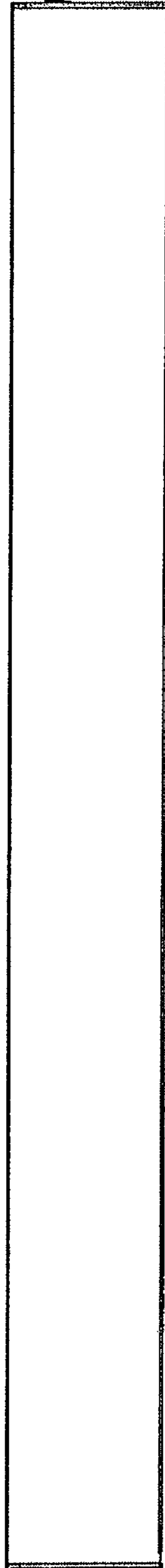


Fig. 3

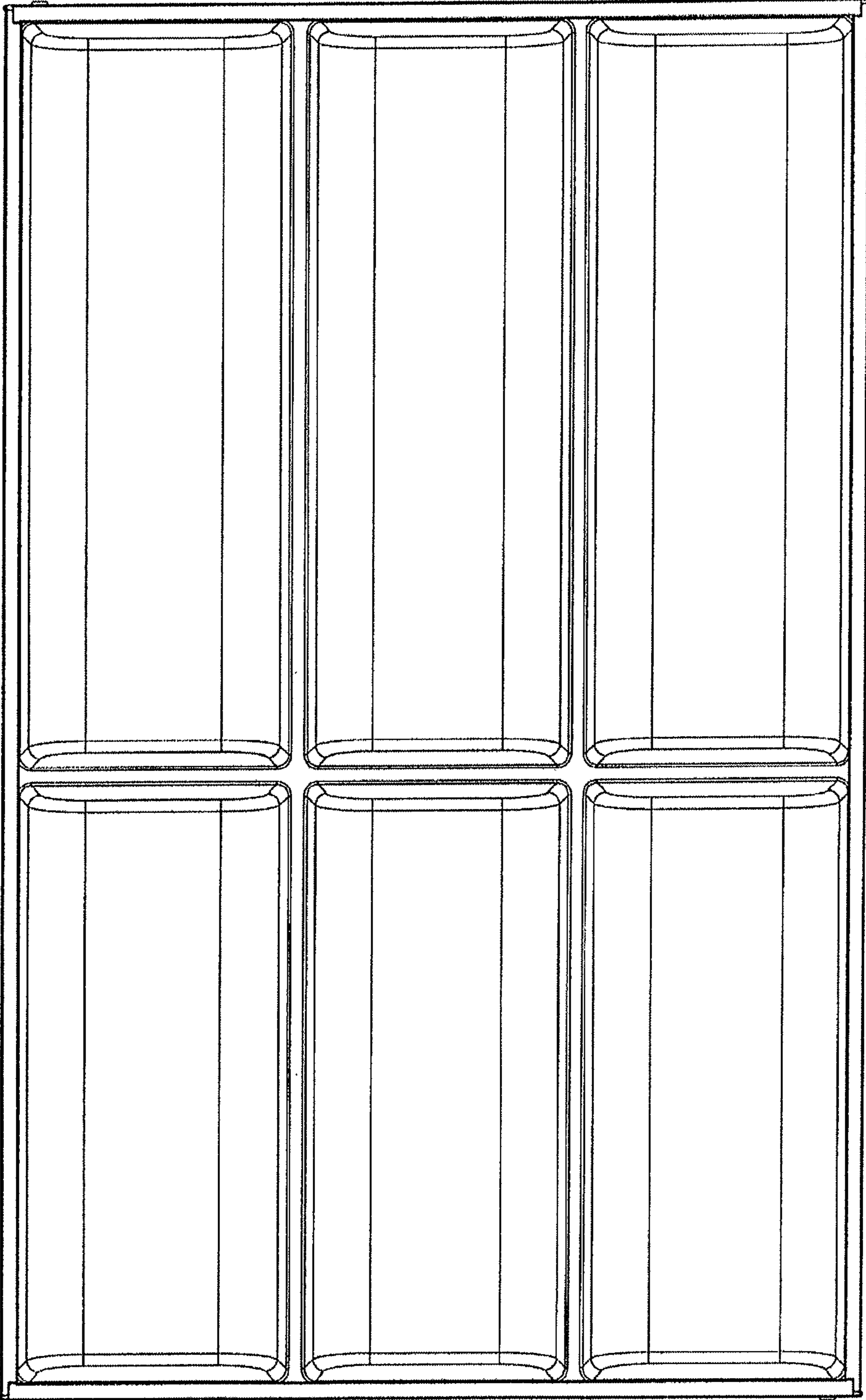


Fig. 4

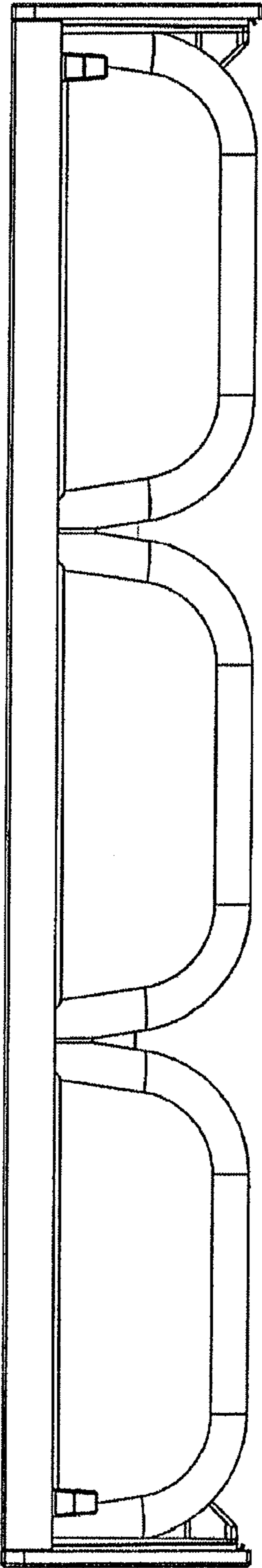


Fig. 5

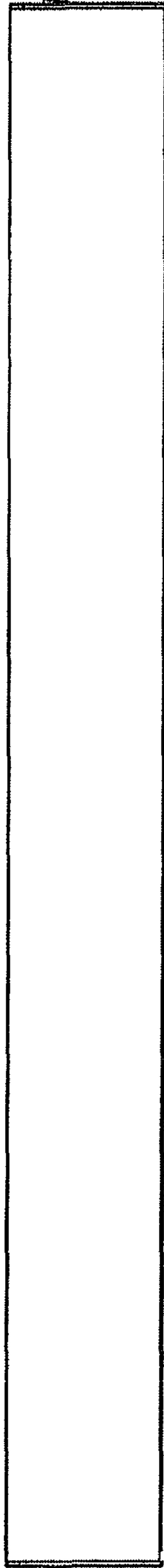


Fig. 6

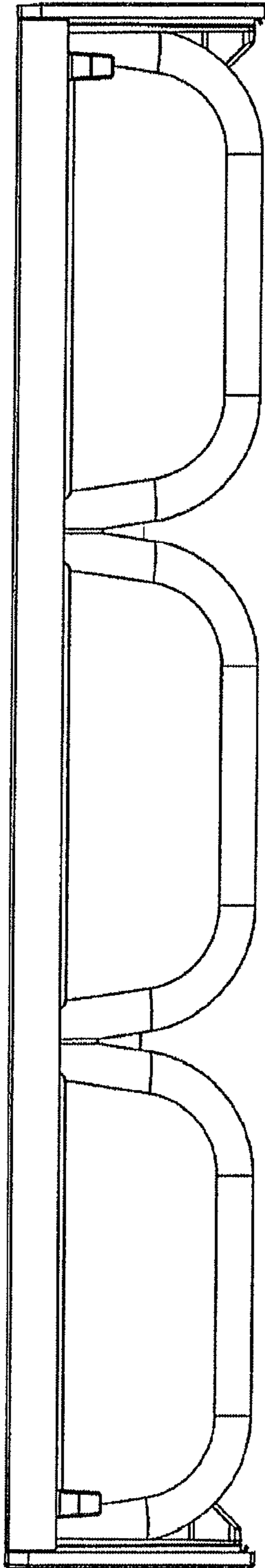
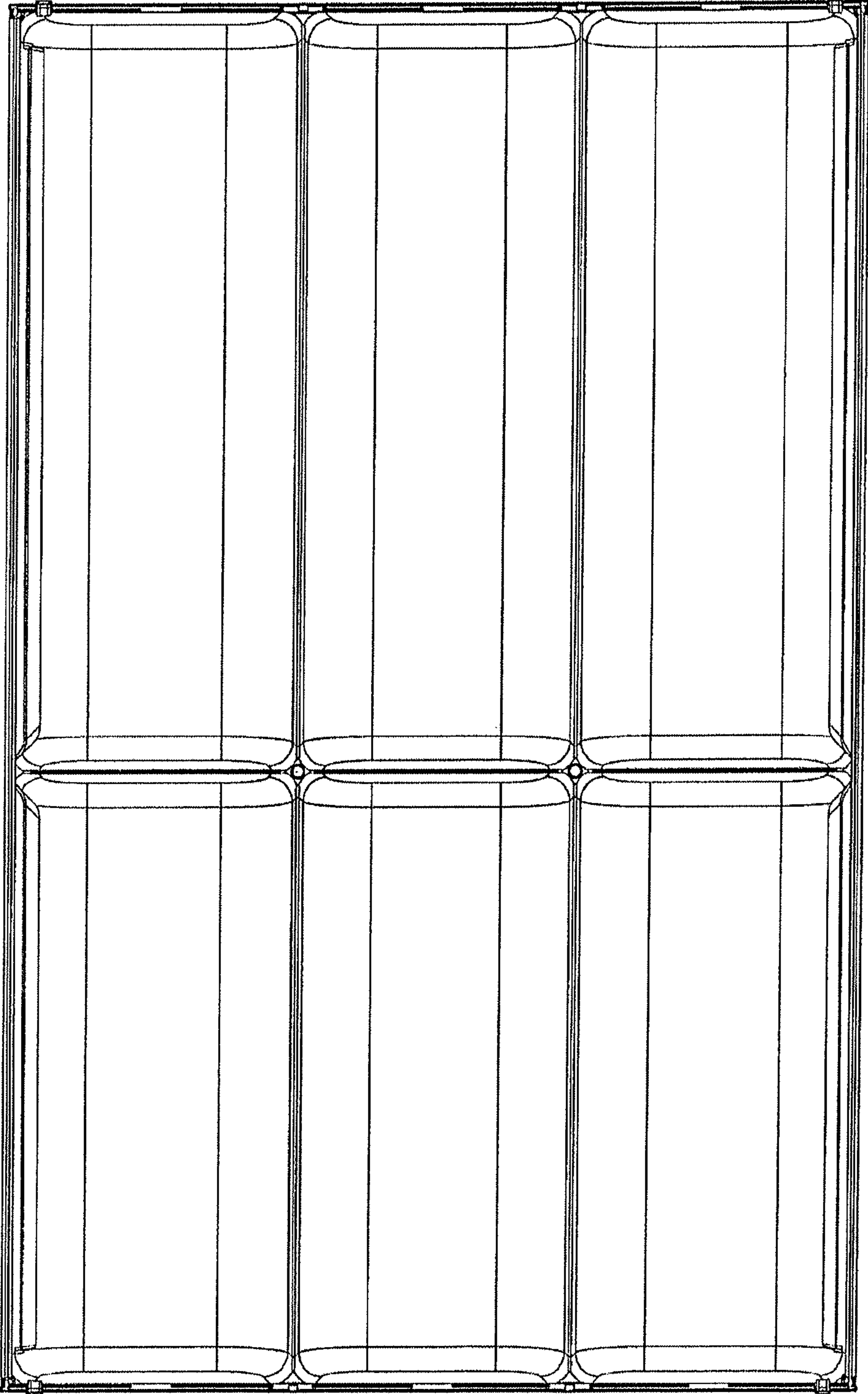


Fig. 7



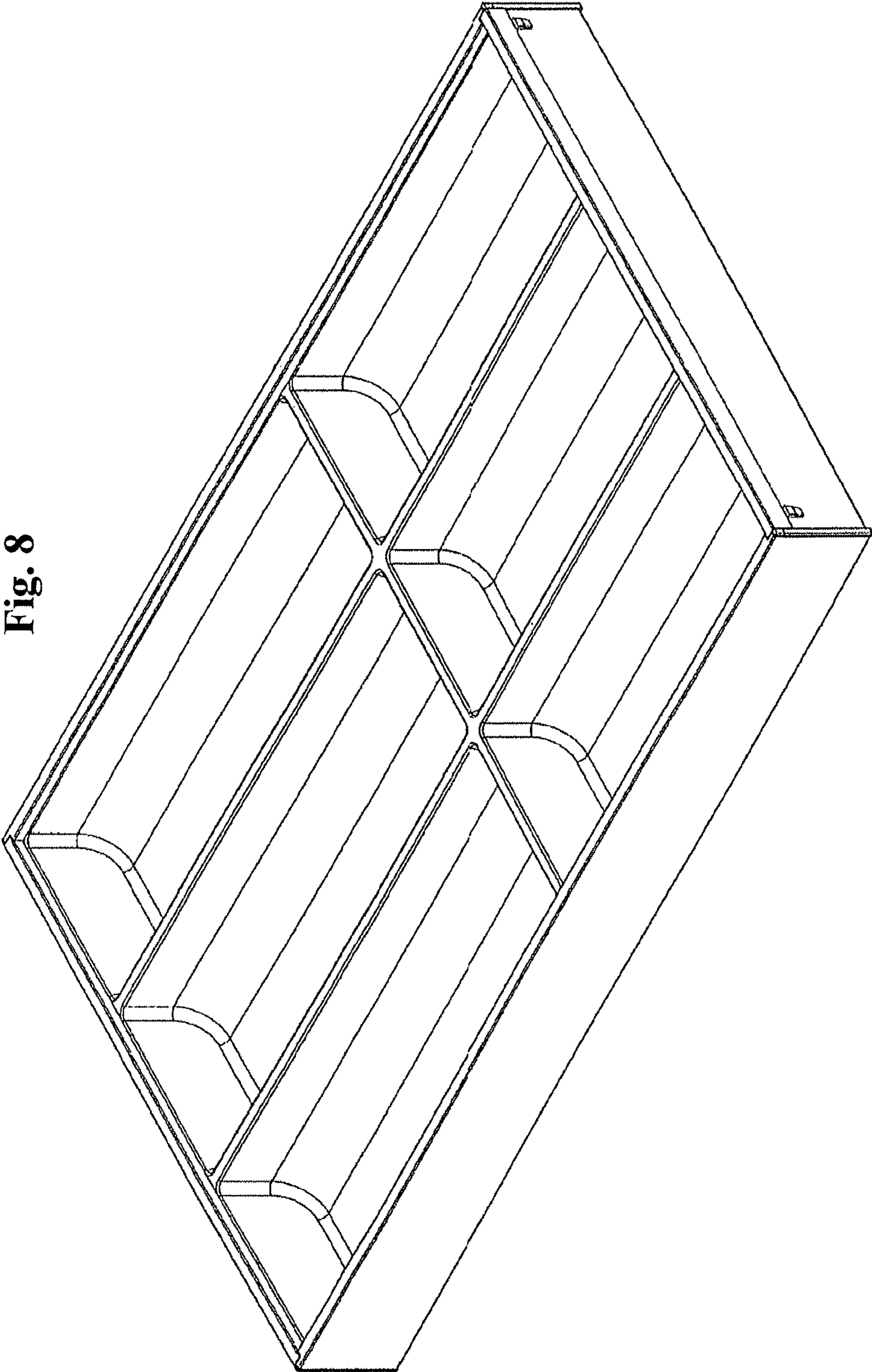


Fig. 8

Fig. 9

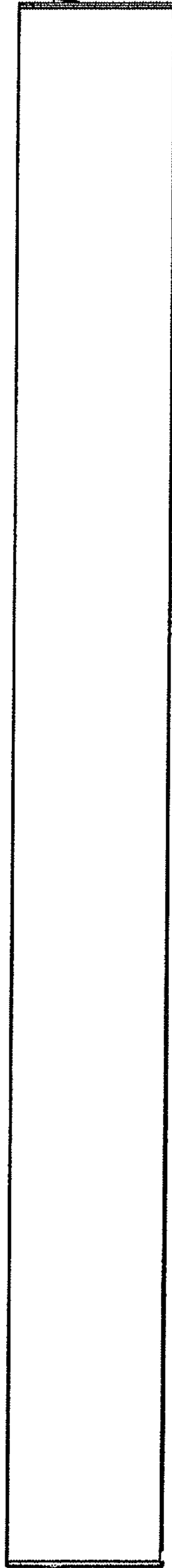


Fig. 10

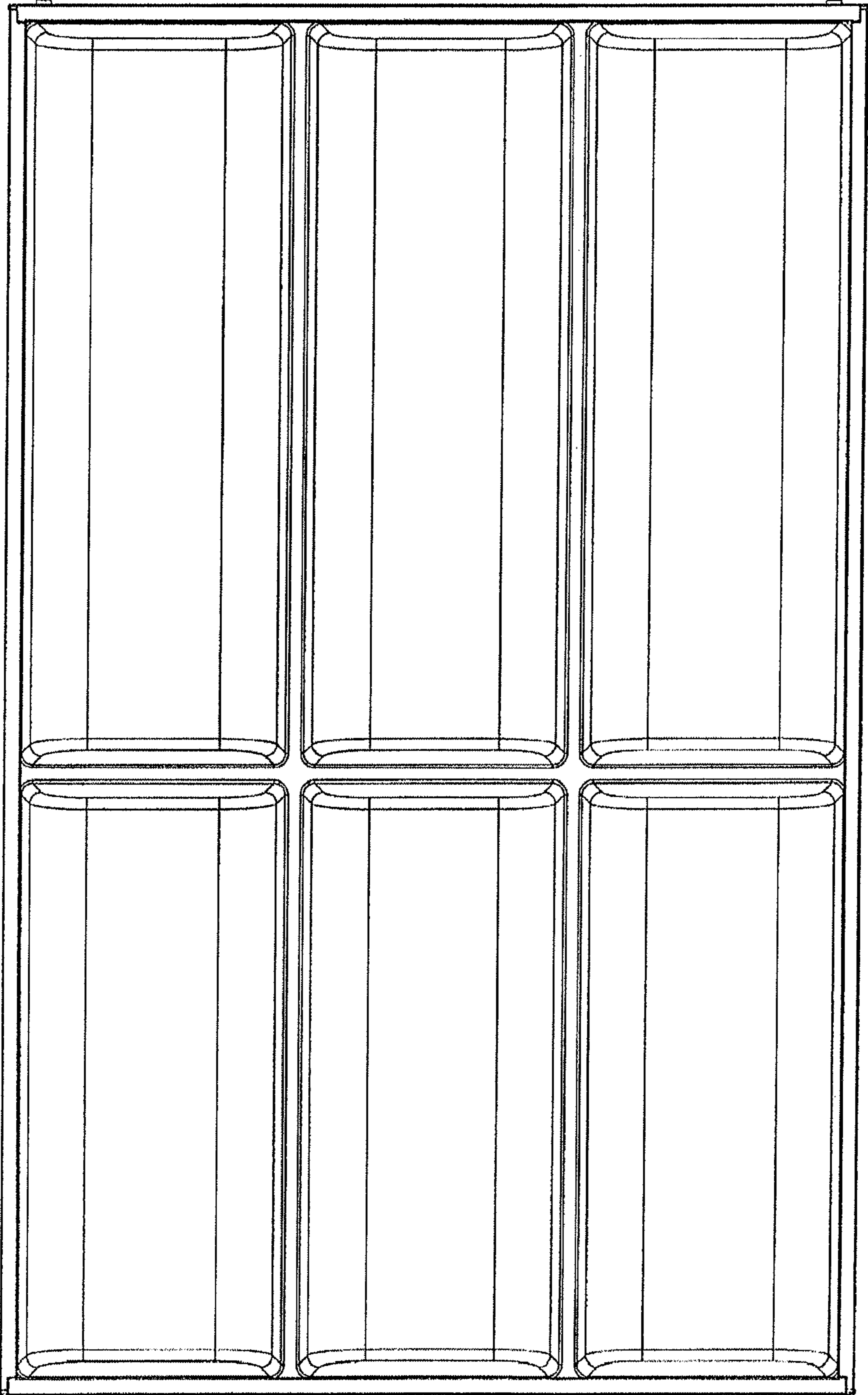


Fig. 11

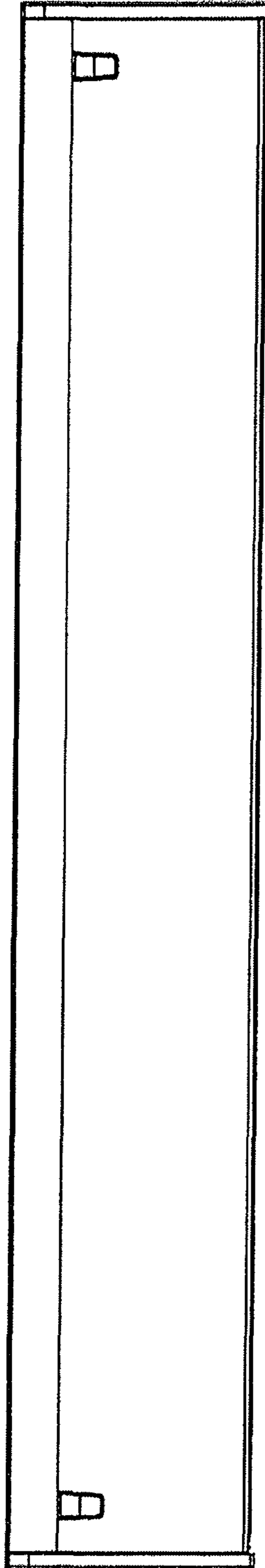


Fig. 12

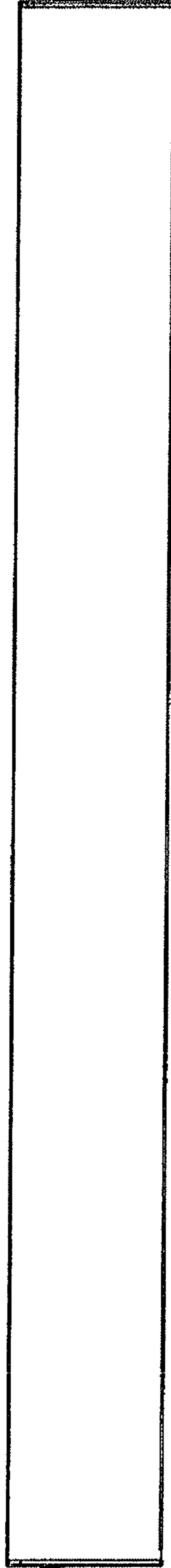


Fig. 13

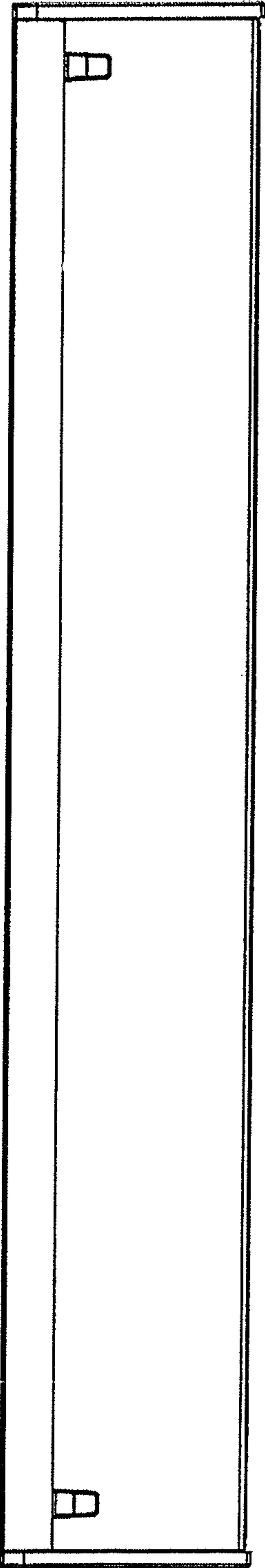


Fig. 14

