



US00D708021S

(12) **United States Design Patent**
Heiberg et al.

(10) **Patent No.:** **US D708,021 S**

(45) **Date of Patent:** **** Jul. 1, 2014**

(54) **MICROWAVE CONTAINER WITH COVER**

D416,754 S 11/1999 Laib
D417,367 S 12/1999 Laib
D537,300 S * 2/2007 Kim D7/629

(75) Inventors: **Jakob Heiberg**, Gentofte (DK); **Vincent Jalet**, Brussels (BE)

(Continued)

(73) Assignee: **Dart Industries Inc.**, Orlando, FL (US)

Primary Examiner — Terry Wallace

(74) *Attorney, Agent, or Firm* — John A. Doninger

(**) Term: **14 Years**

(57) **CLAIM**

(21) Appl. No.: **29/421,426**

The ornamental design for a microwave container with cover, as shown and described.

(22) Filed: **Jul. 25, 2012**

DESCRIPTION

(51) **LOC (10) Cl.** **07-01**

(52) **U.S. Cl.**

USPC **D7/629**; D7/630

(58) **Field of Classification Search**

CPC B65D 21/004

USPC D7/602, 629, 630, 538–549, 584, 586,
D7/587; D9/424–529; 220/574–575,
220/780–806, 675, 326, 236, 573.1

See application file for complete search history.

FIG. 1 is a top, side and front perspective view of the first embodiment of a microwave container with cover showing my new design;

FIG. 2 is a bottom, side and rear perspective view thereof;

FIG. 3 is a front elevation view, the rear elevation being identical thereto;

FIG. 4 is a right side elevation view, the left side elevation being identical thereto;

FIG. 5 is a top plan view thereof;

FIG. 6 is a bottom plan view thereof;

FIG. 7 is a cross-sectional view taken along line 7-7 of FIG. 5;

FIG. 8 is a cross-sectional view taken along line 8-8 of FIG. 5;

FIG. 9 is a top, side and front perspective view of the second embodiment of a microwave container with cover showing my new design;

FIG. 10 is a bottom, side and rear perspective view thereof;

FIG. 11 is a front elevation view, the rear elevation being identical thereto;

FIG. 12 is a right side elevation view, the left side elevation being identical thereto;

FIG. 13 is a top plan view thereof;

FIG. 14 is a bottom plan view thereof;

FIG. 15 is a cross-sectional view taken along line 15-15 of FIG. 13; and,

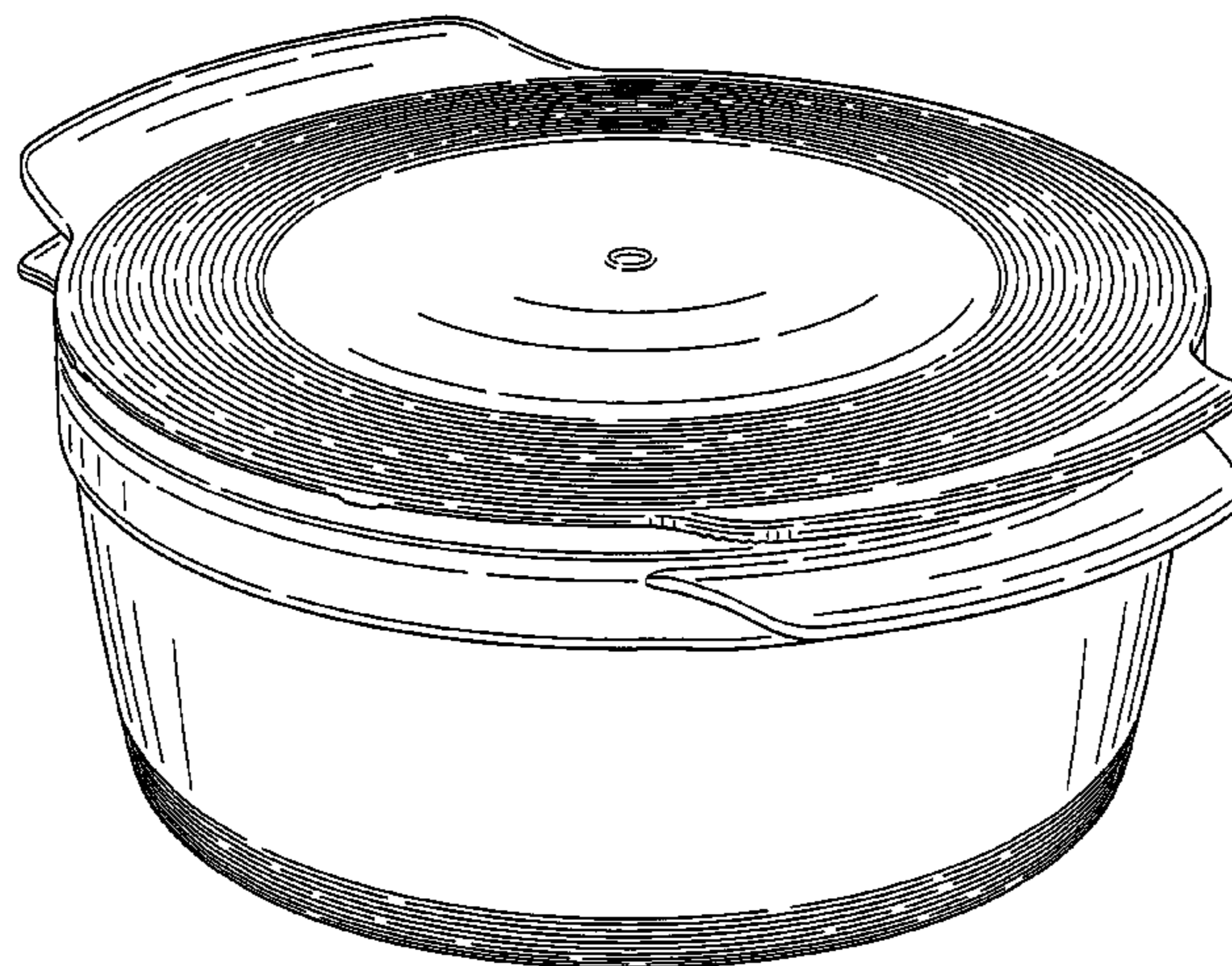
FIG. 16 is a cross-sectional view taken along line 16-16 of FIG. 13.

(56) **References Cited**

U.S. PATENT DOCUMENTS

D98,266 S	1/1936	Manoha	
D107,585 S	12/1937	Titze	
D113,024 S	1/1939	Titze	
D117,858 S	11/1939	Thorley	
D248,076 S	6/1978	Christian	
D277,252 S	1/1985	Gulotta	
D288,649 S	3/1987	Daenen et al.	
5,065,889 A	11/1991	Conti	
D326,797 S	6/1992	Pomroy et al.	
D333,754 S	3/1993	Conti	
D338,807 S	8/1993	Conti	
5,409,126 A *	4/1995	DeMars	220/4.27
D371,938 S *	7/1996	Davis	D7/540
D378,039 S	2/1997	Ferris	
5,868,273 A *	2/1999	Daenen et al.	220/795

1 Claim, 16 Drawing Sheets



(56)

References Cited

U.S. PATENT DOCUMENTS

D551,496 S 9/2007 Ablo et al.

D621,667 S * 8/2010 Ablo D7/629
D634,986 S * 3/2011 Smyers D7/629
D641,209 S 7/2011 Ablo

* cited by examiner

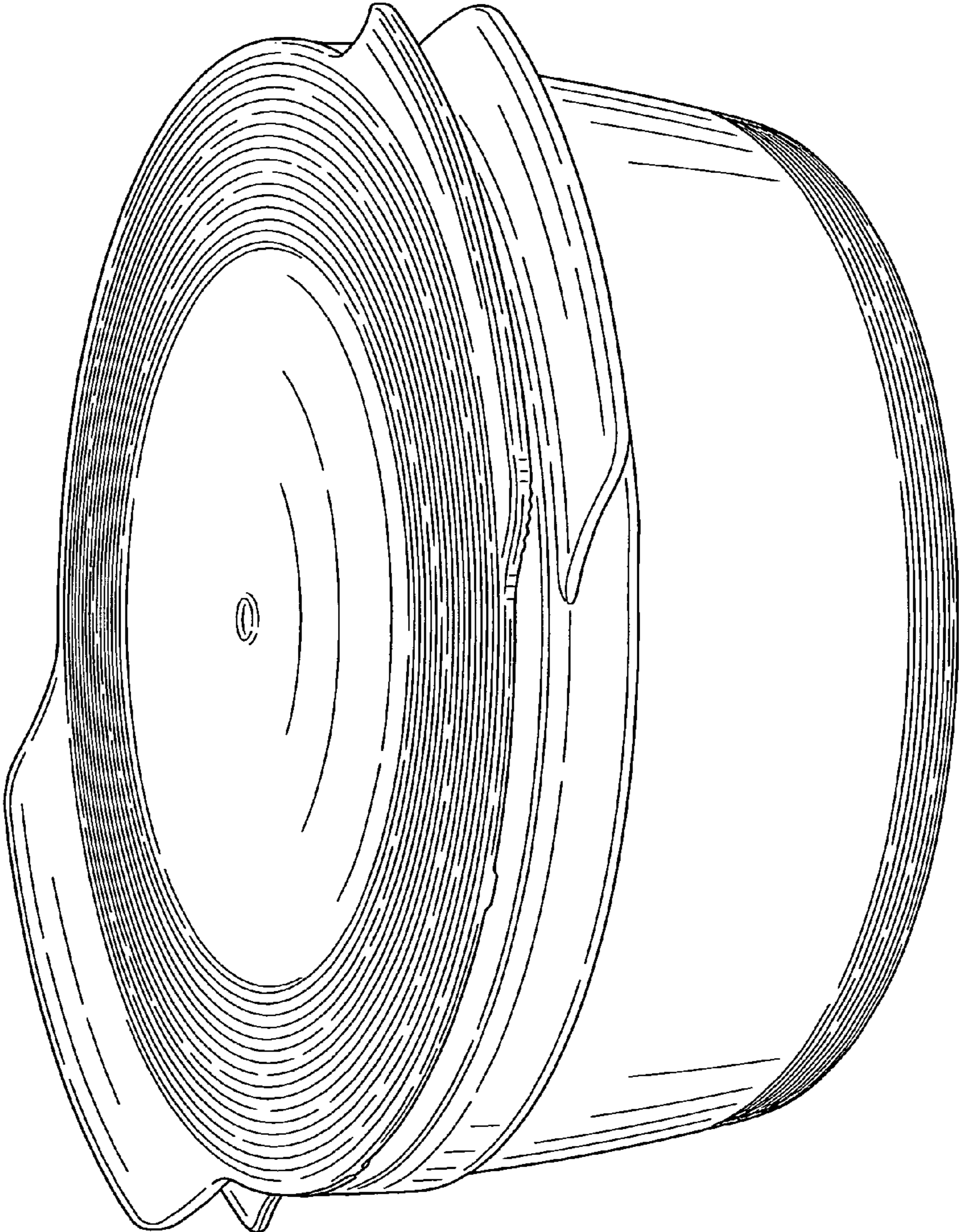


FIG. 1

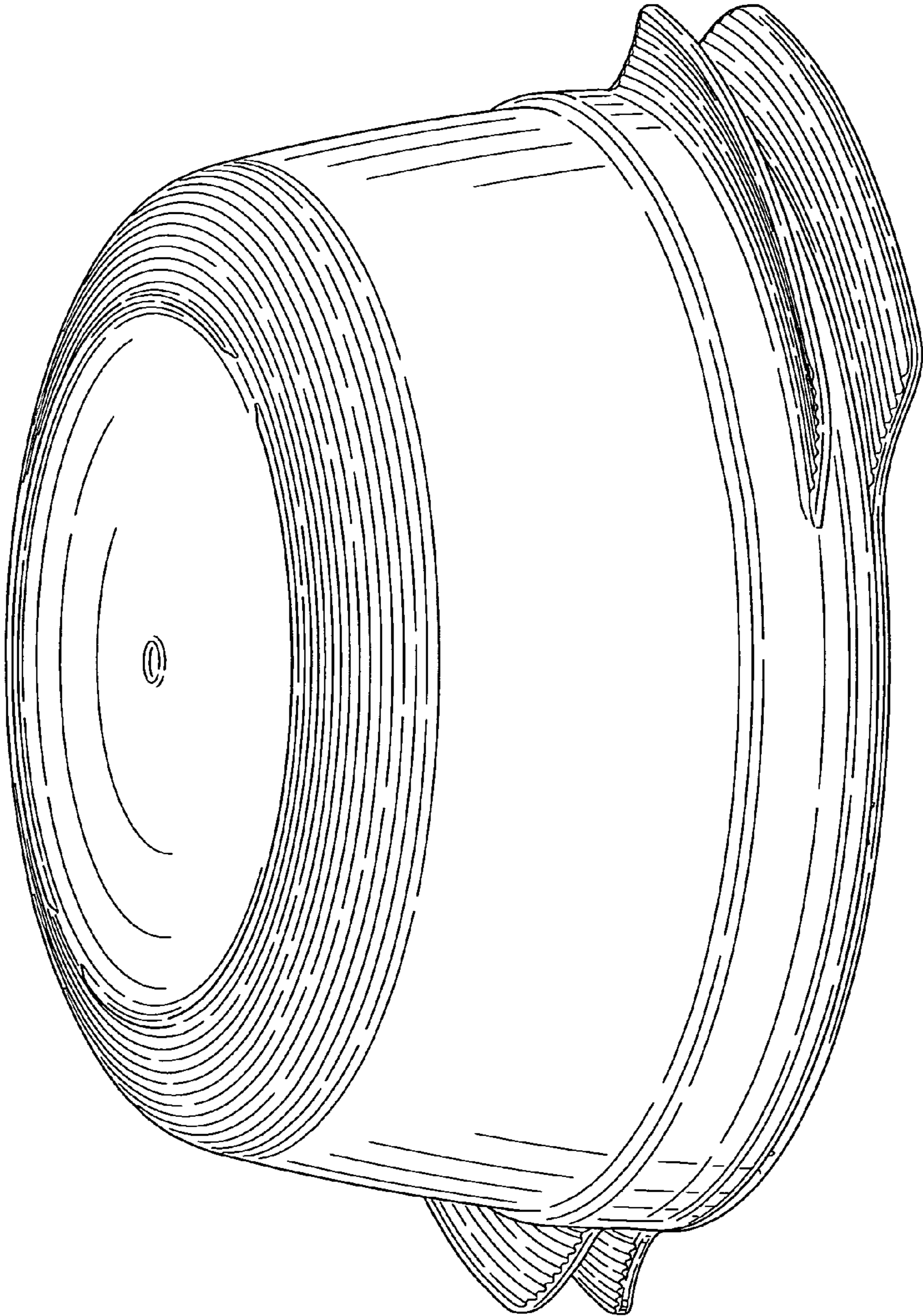


FIG. 2

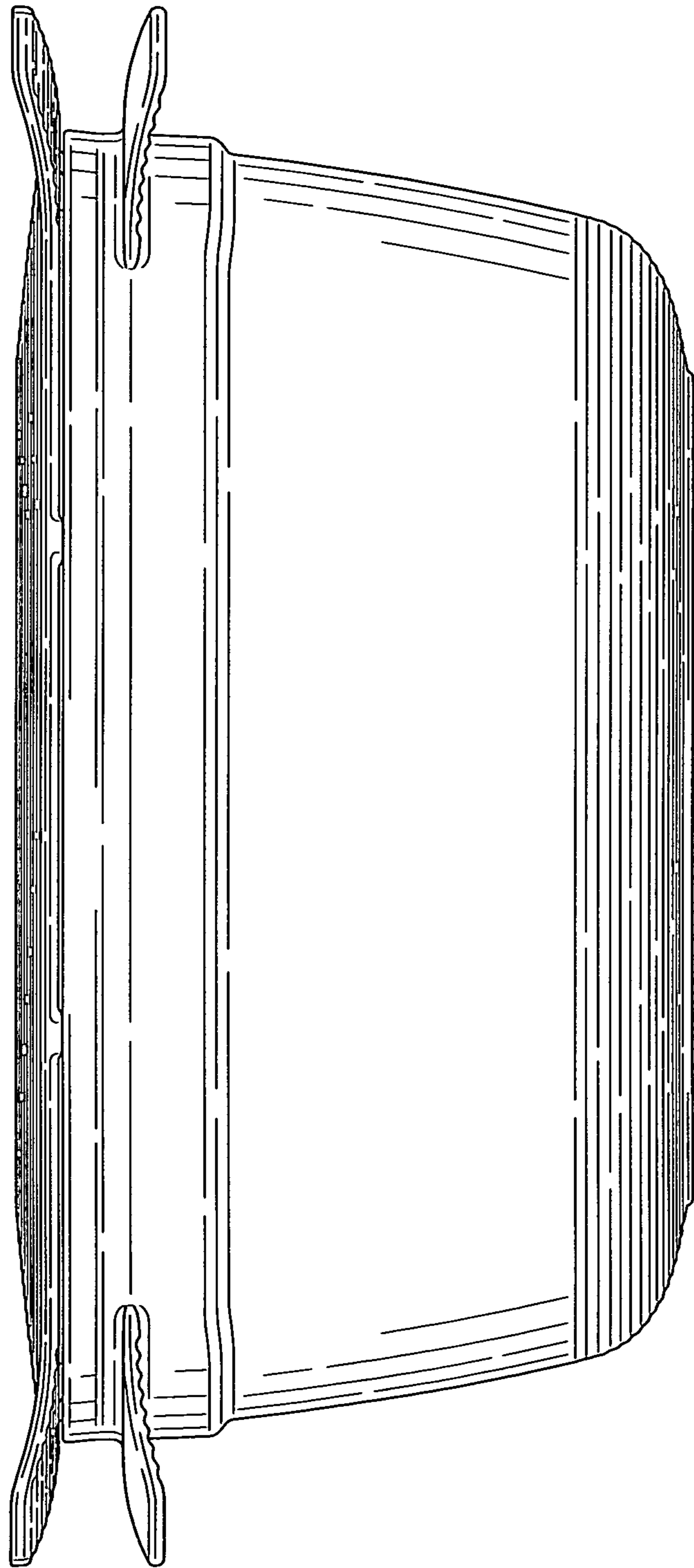


FIG. 3

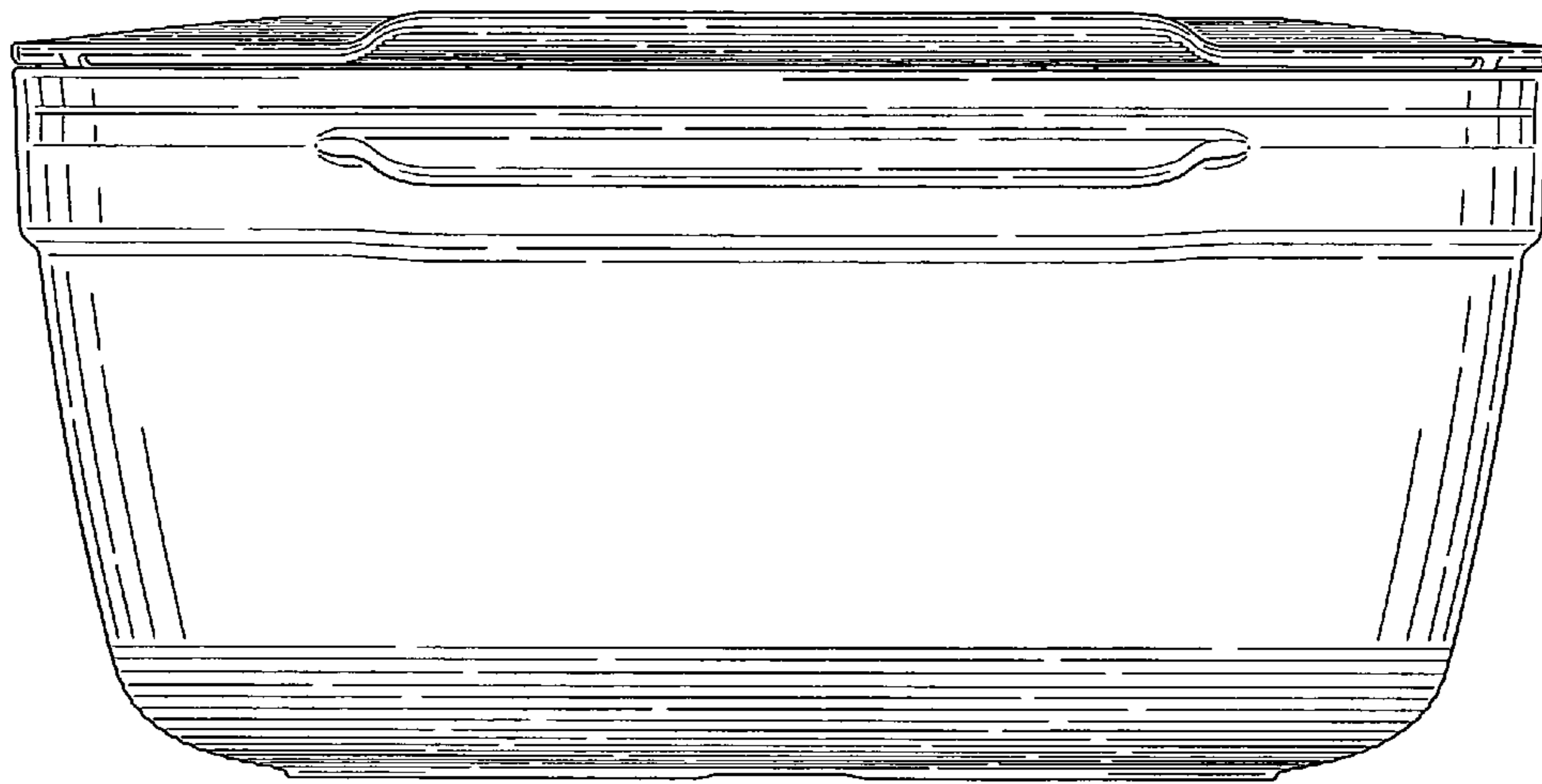


FIG. 4

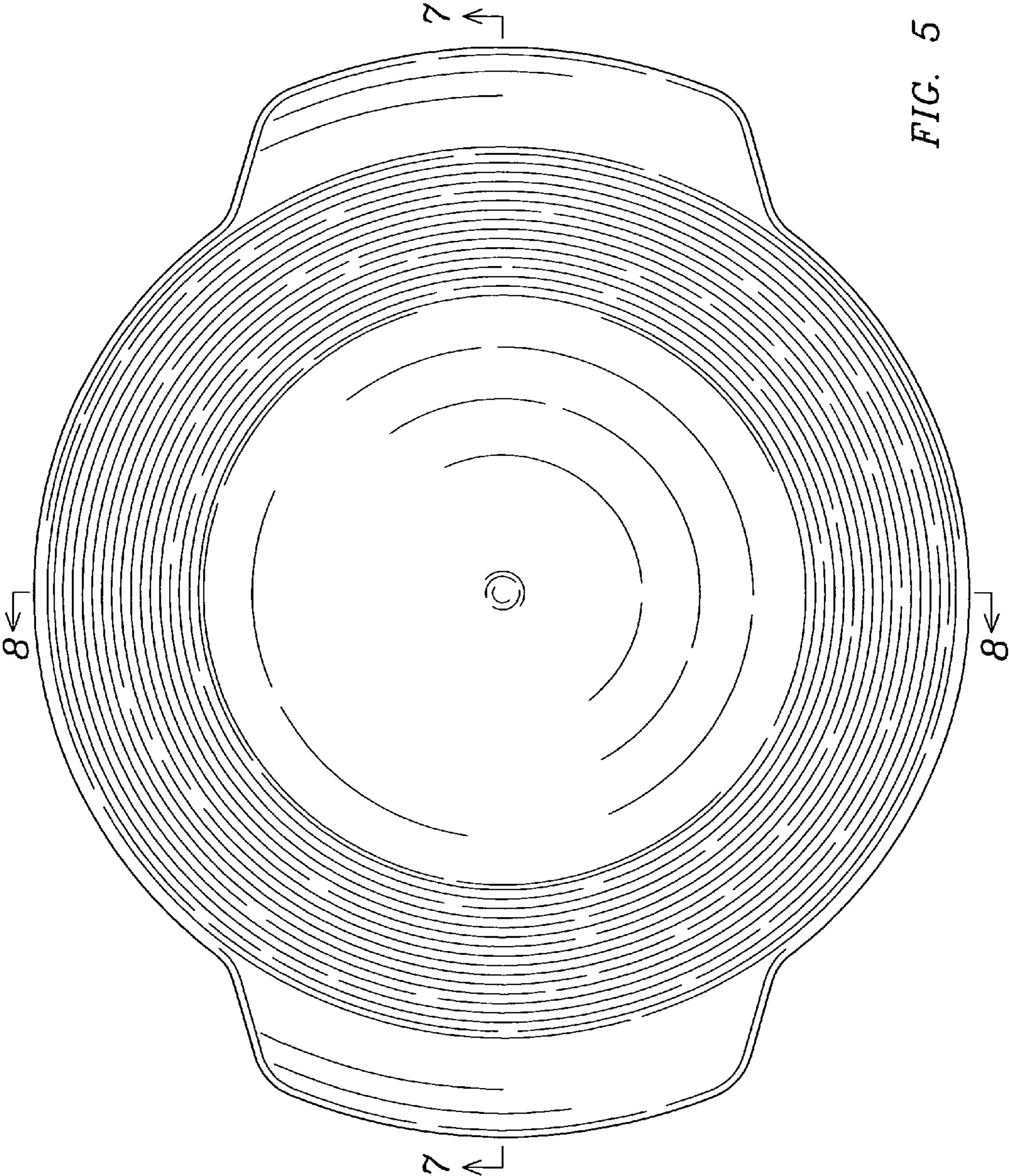


FIG. 5

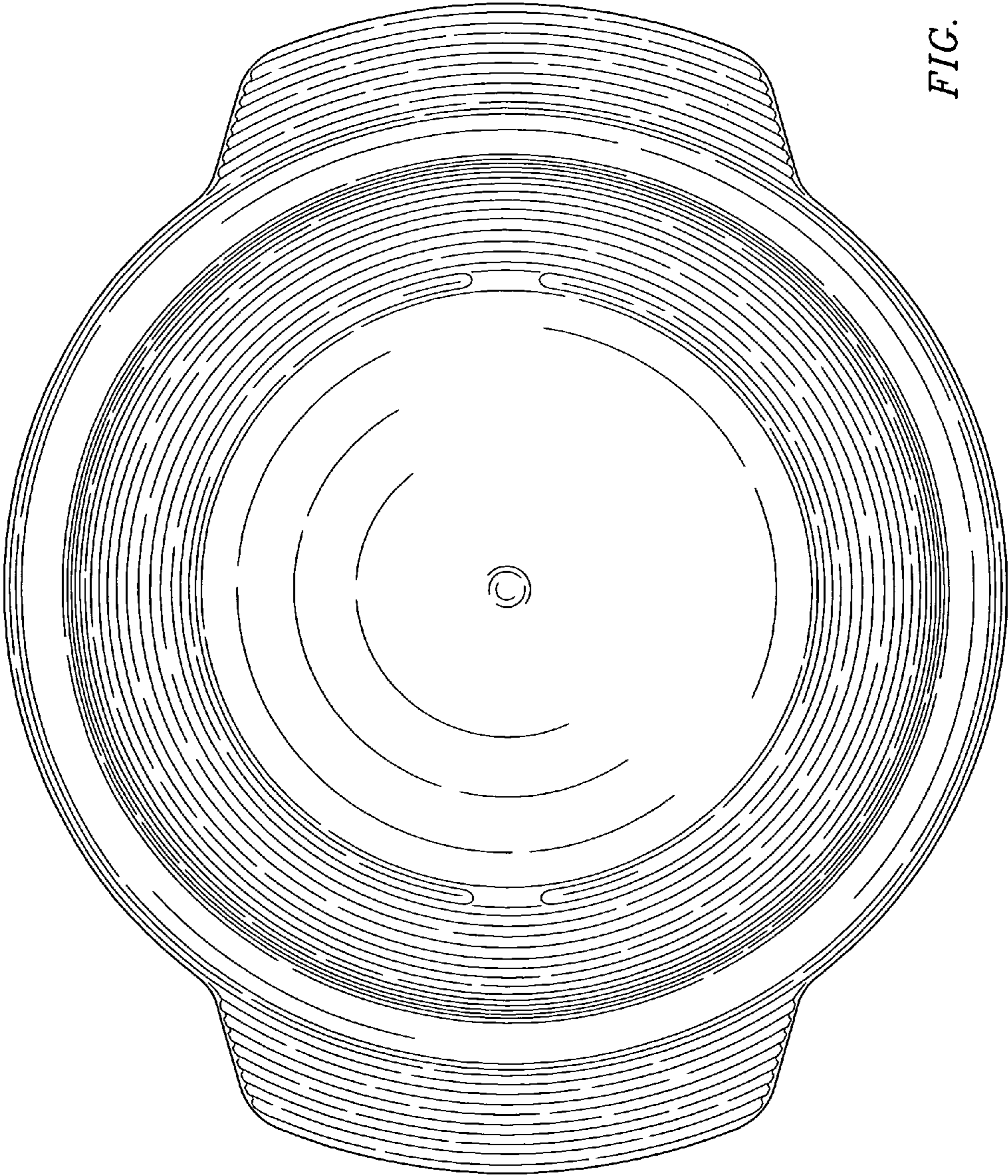


FIG. 6

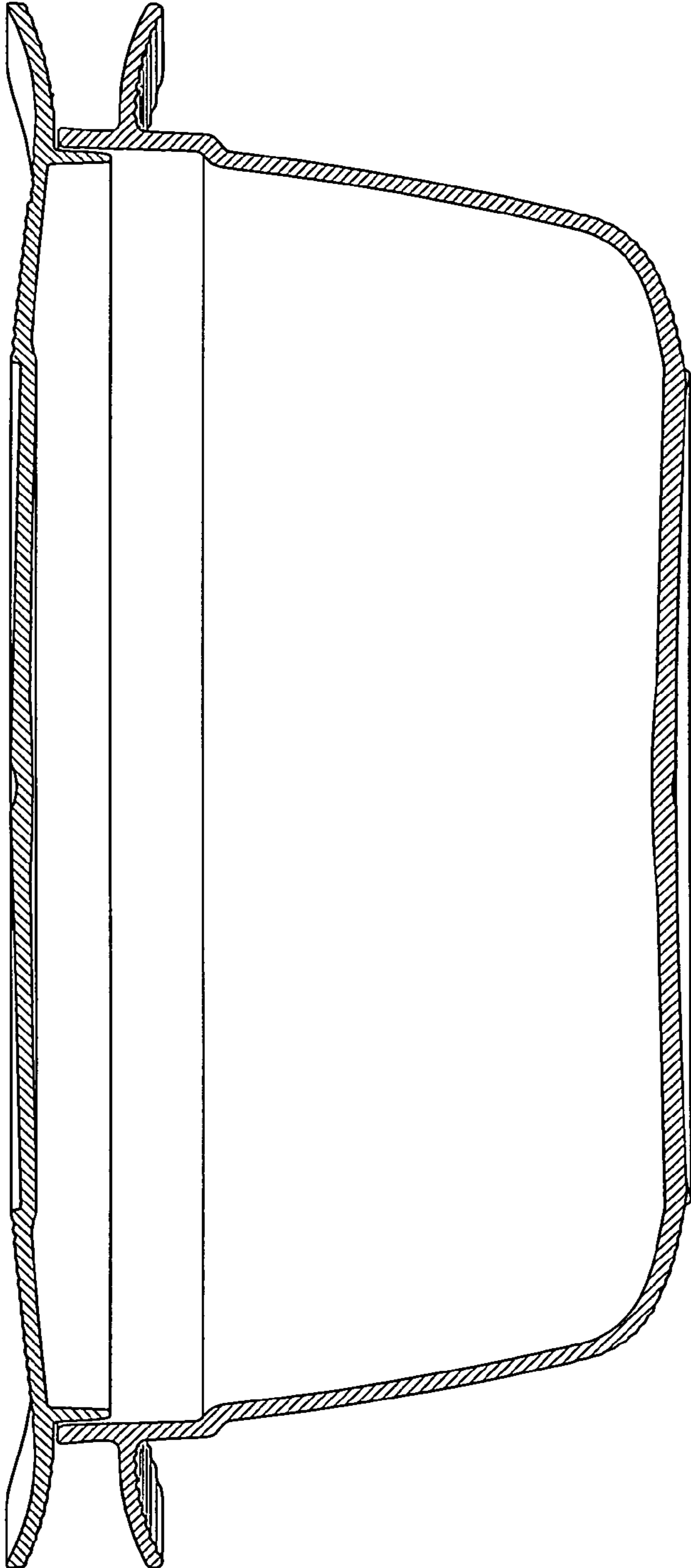


FIG. 7

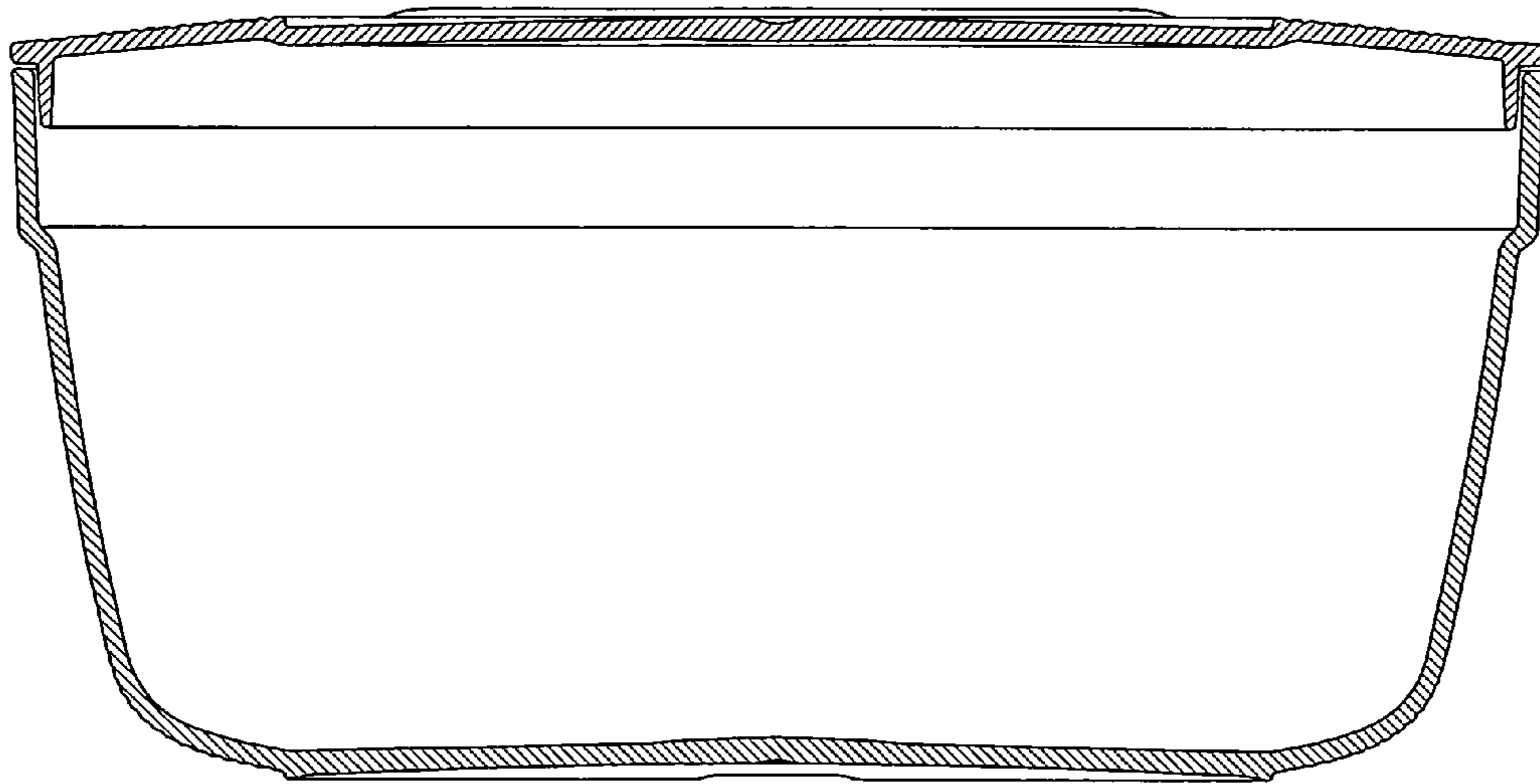


FIG. 8

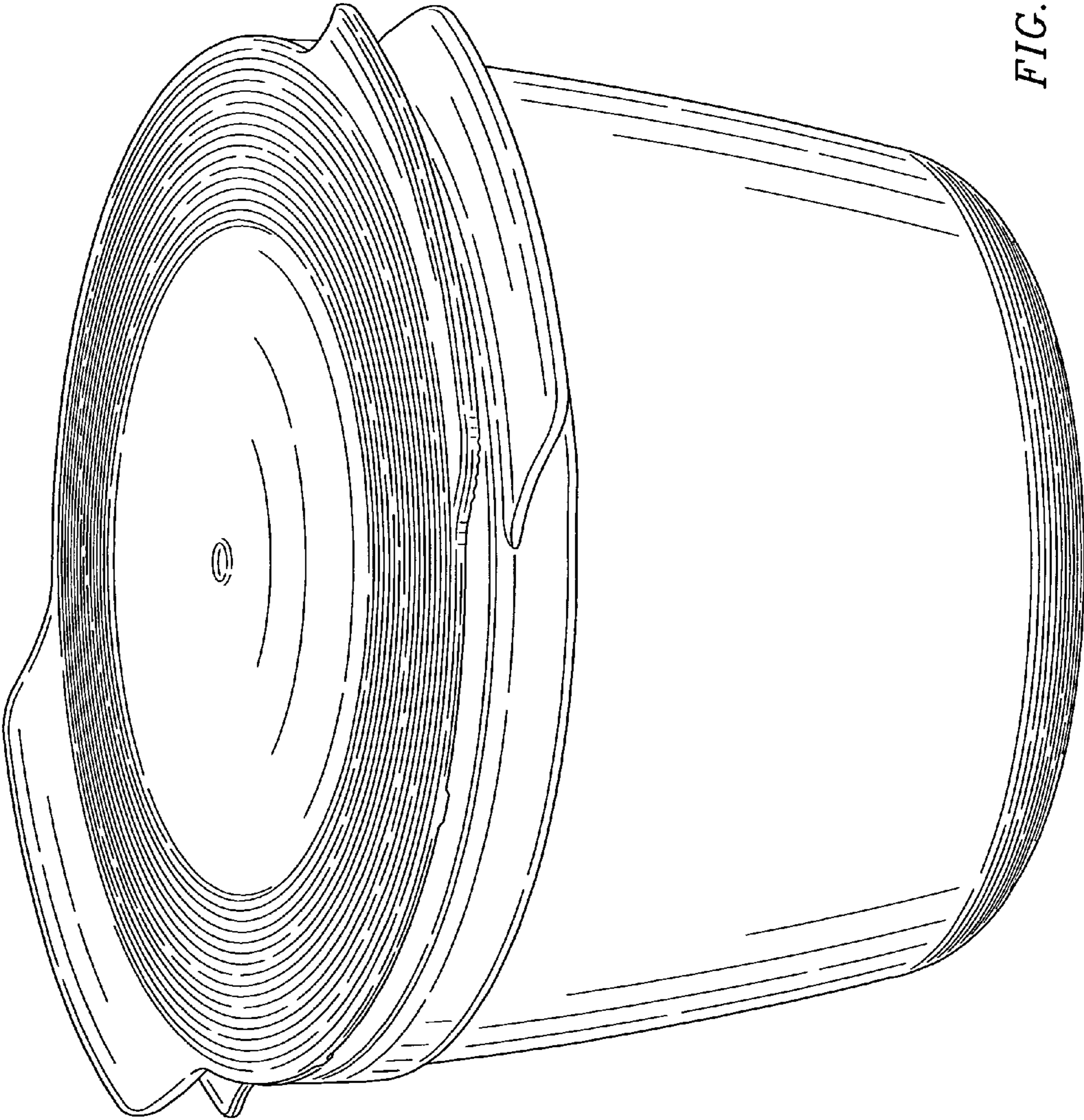


FIG. 9

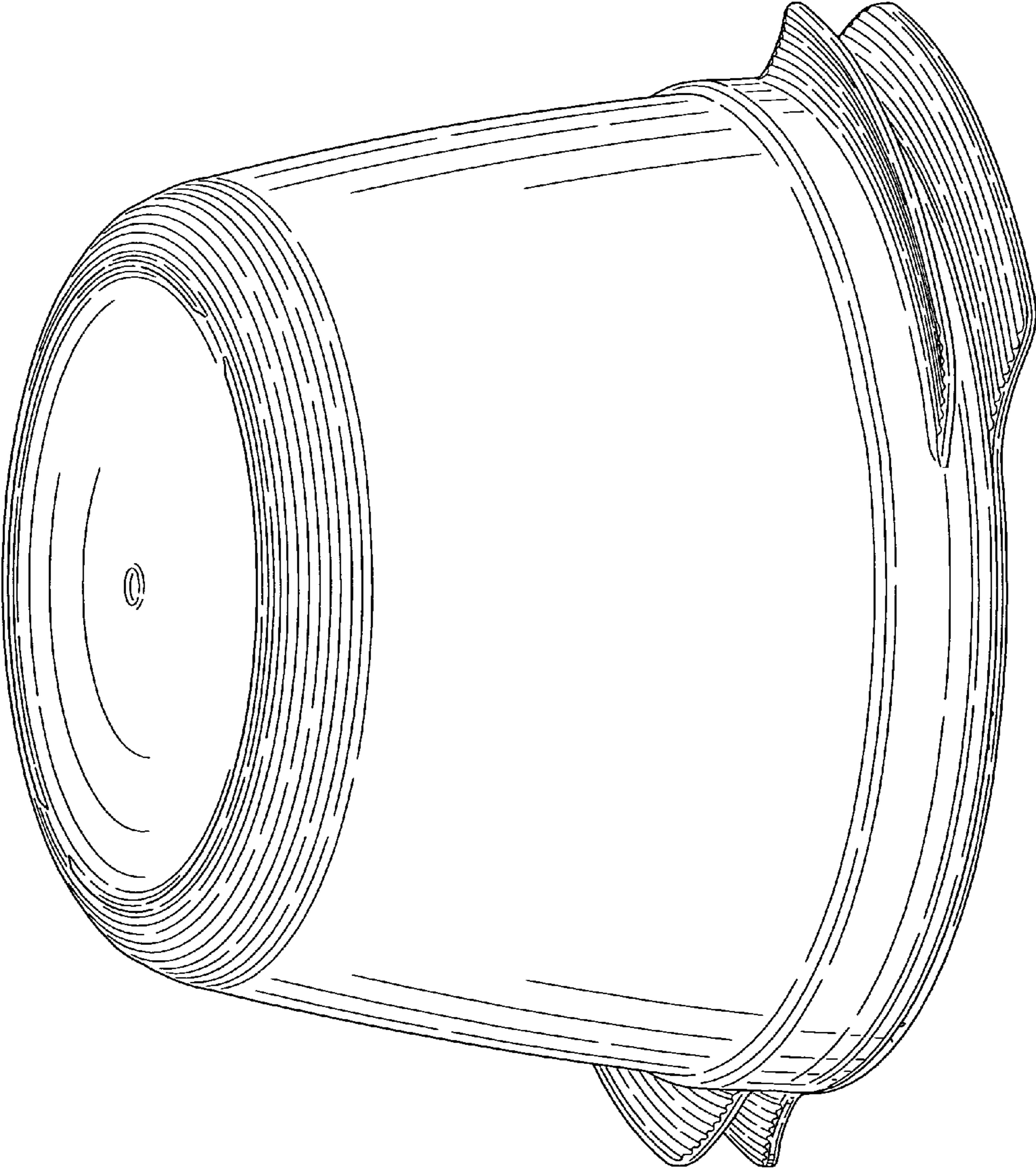


FIG. 10

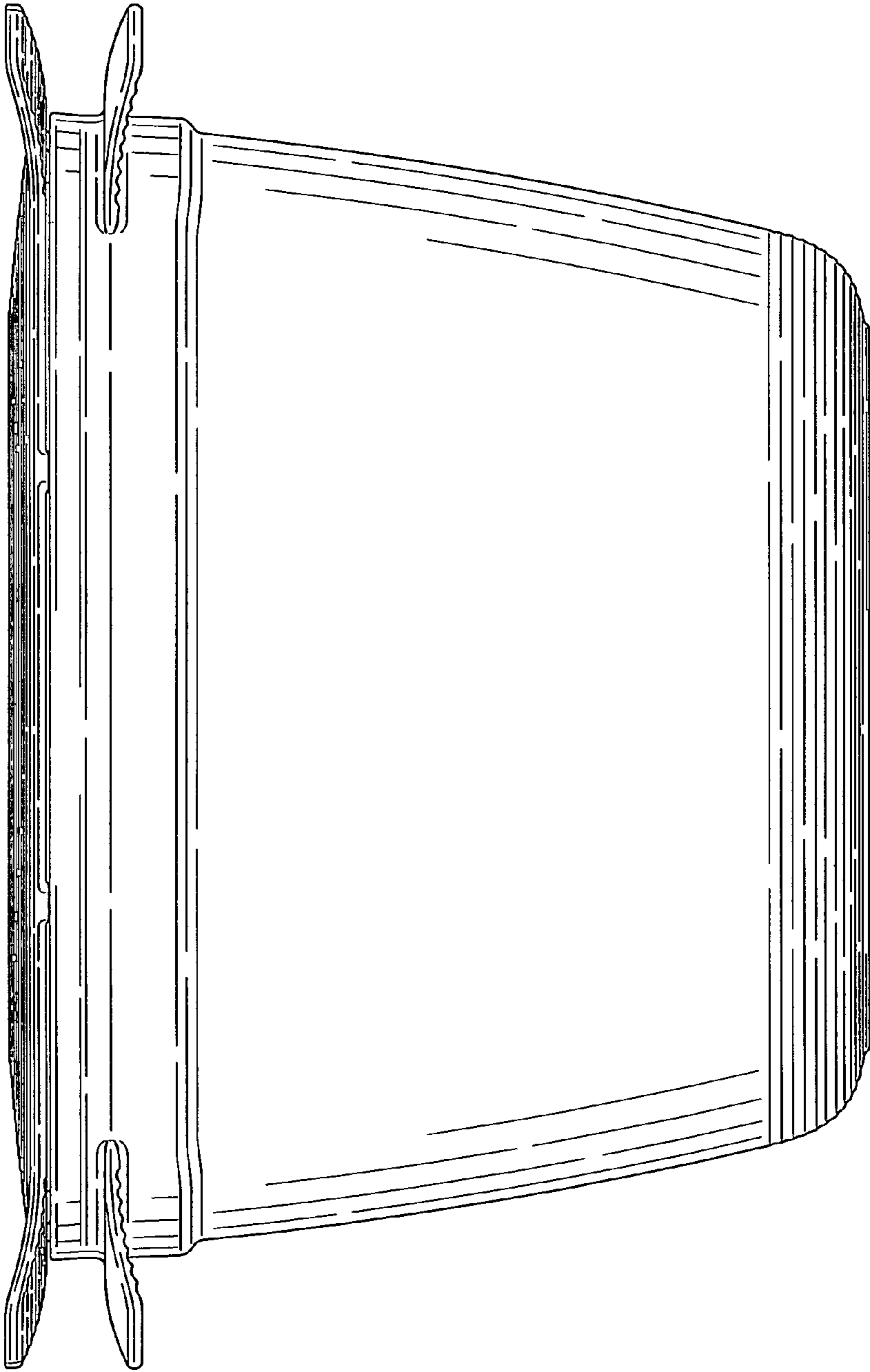


FIG. 11

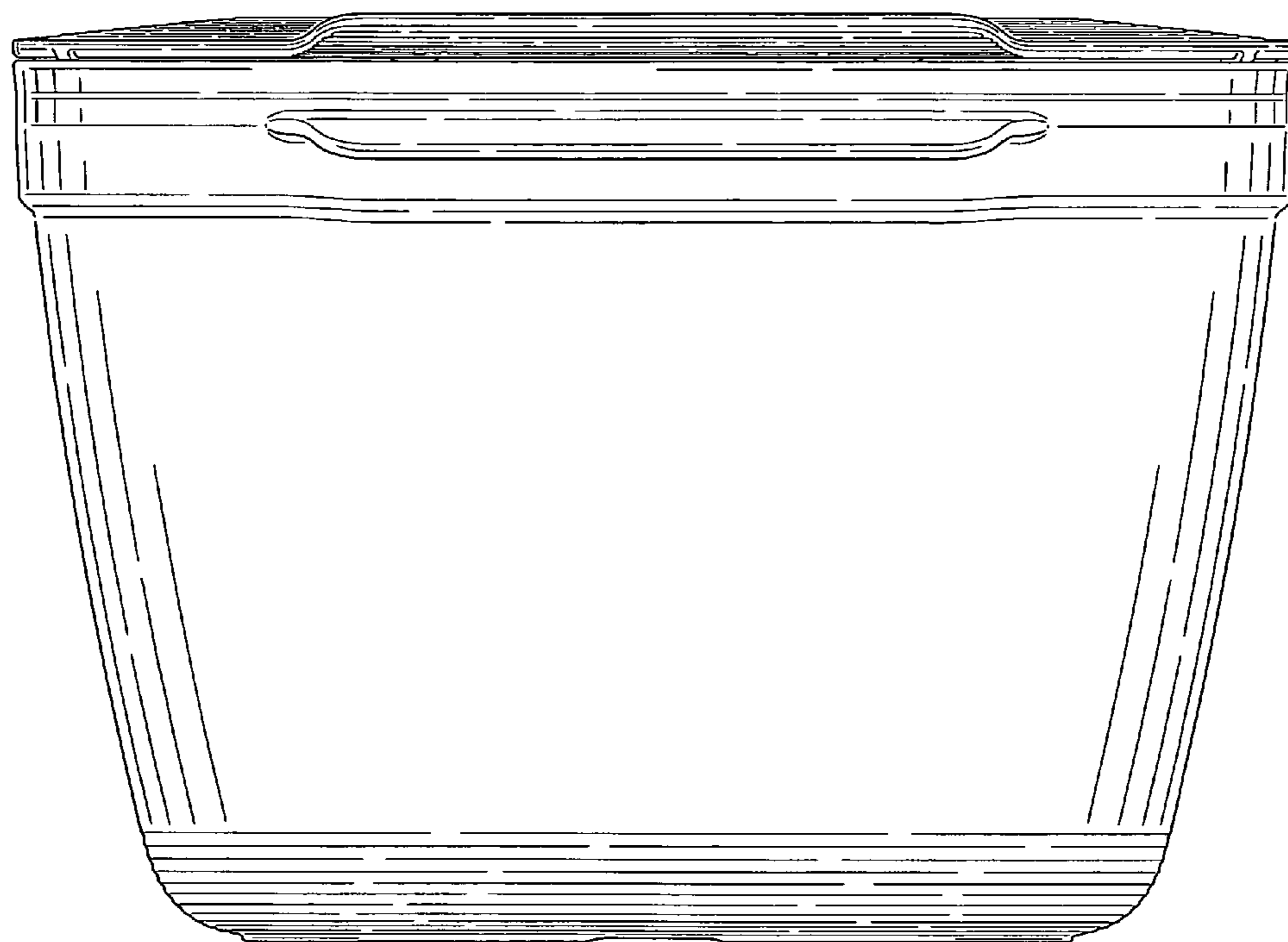


FIG. 12

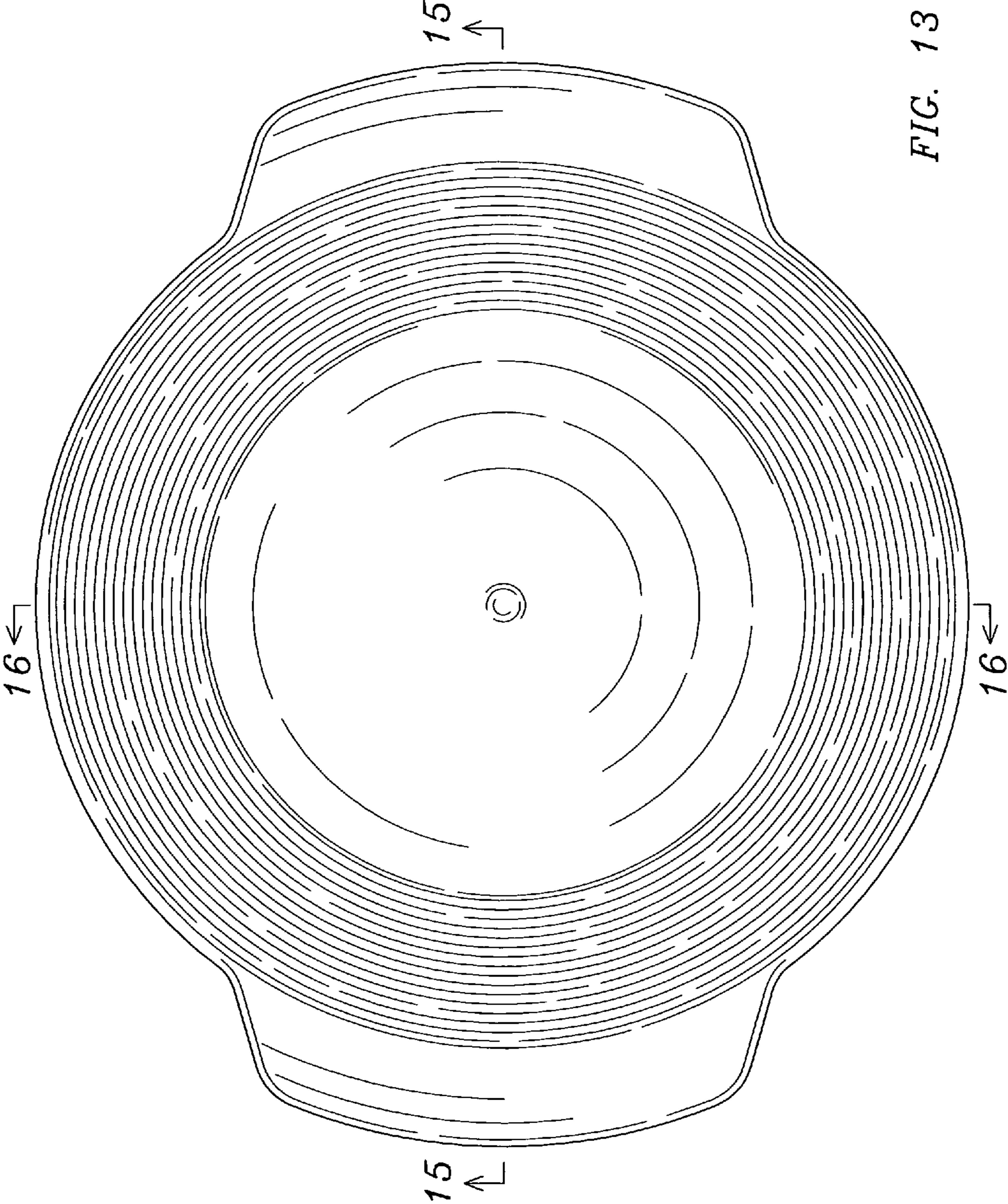


FIG. 13

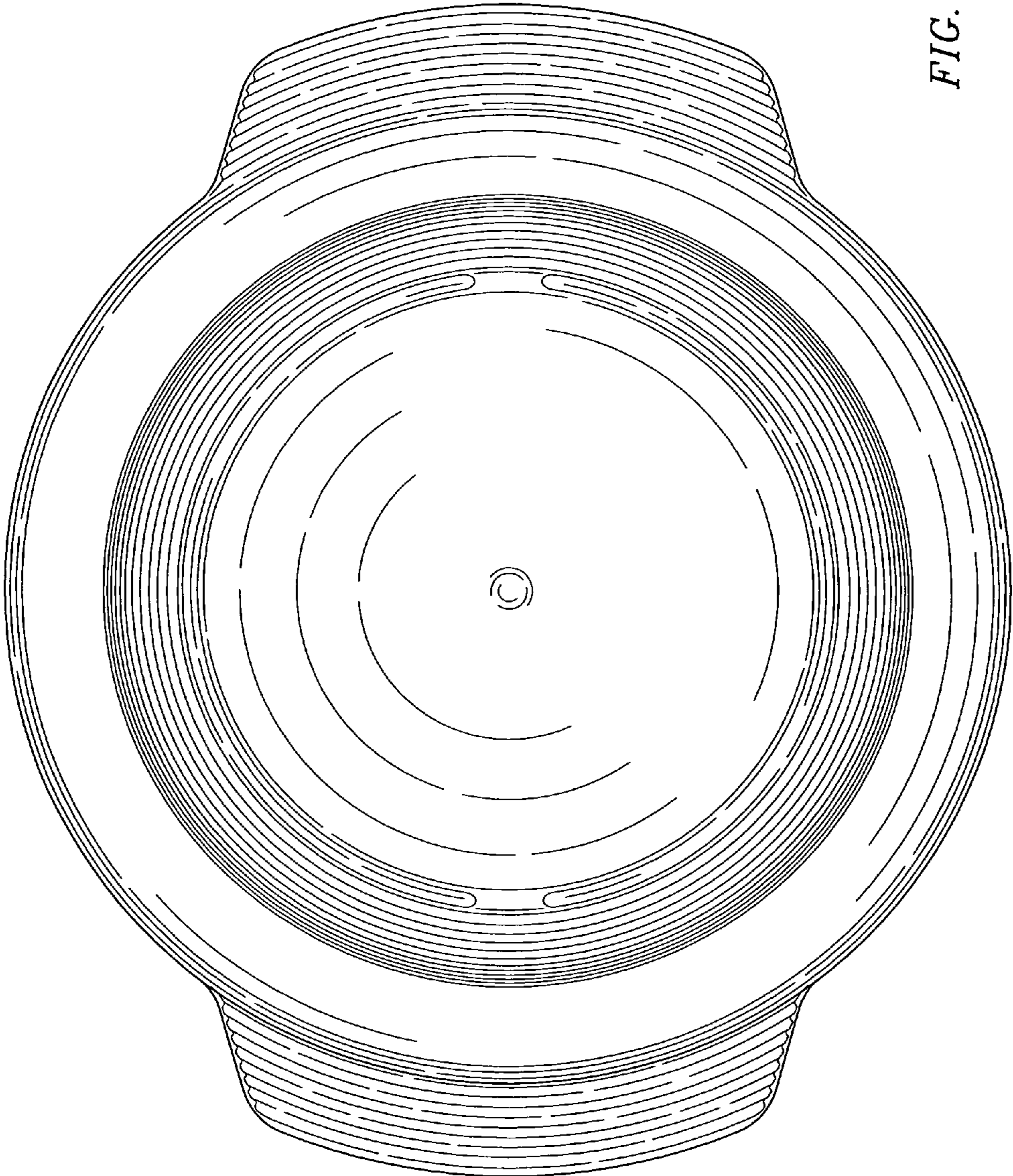


FIG. 14

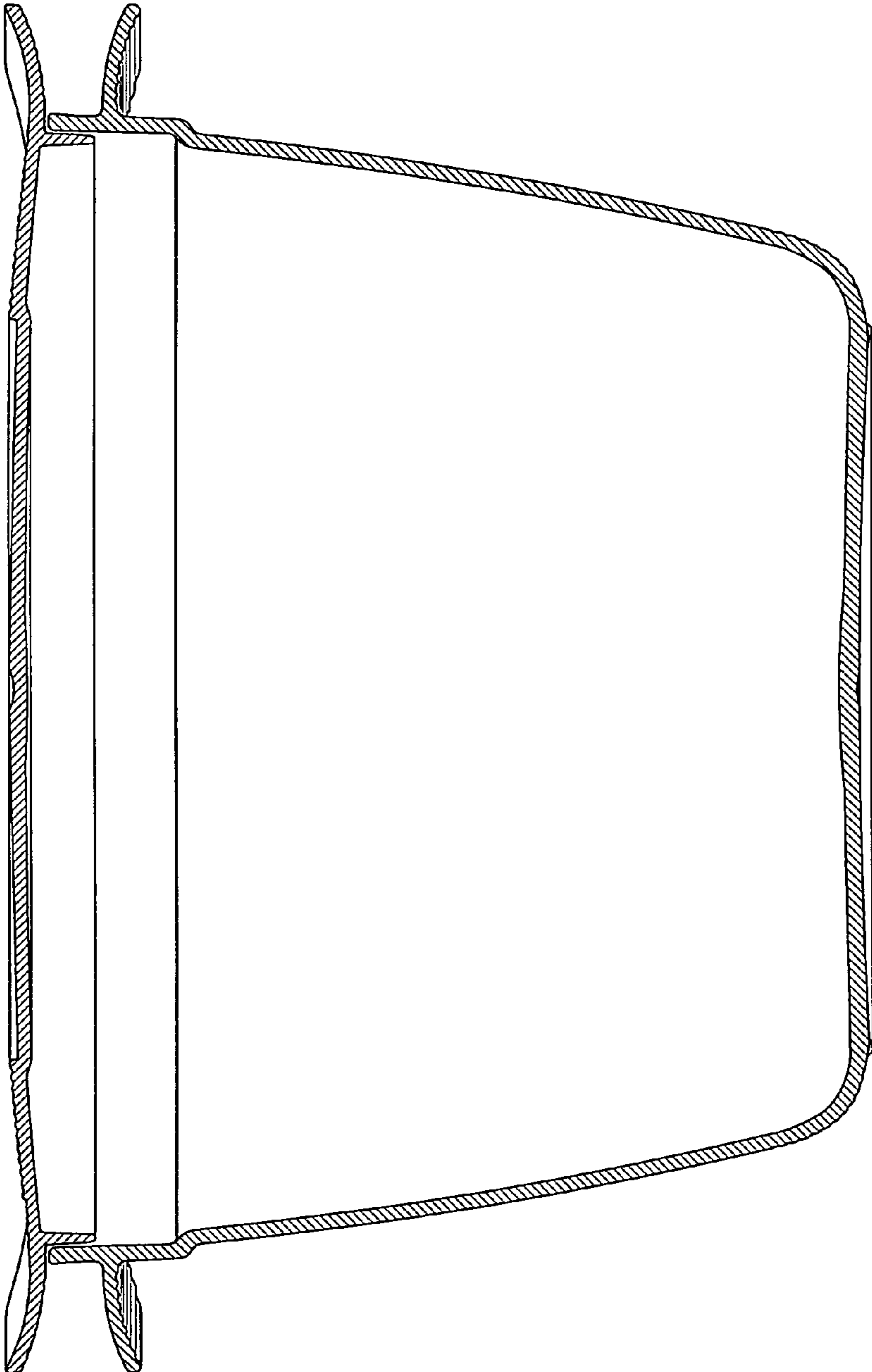


FIG. 15

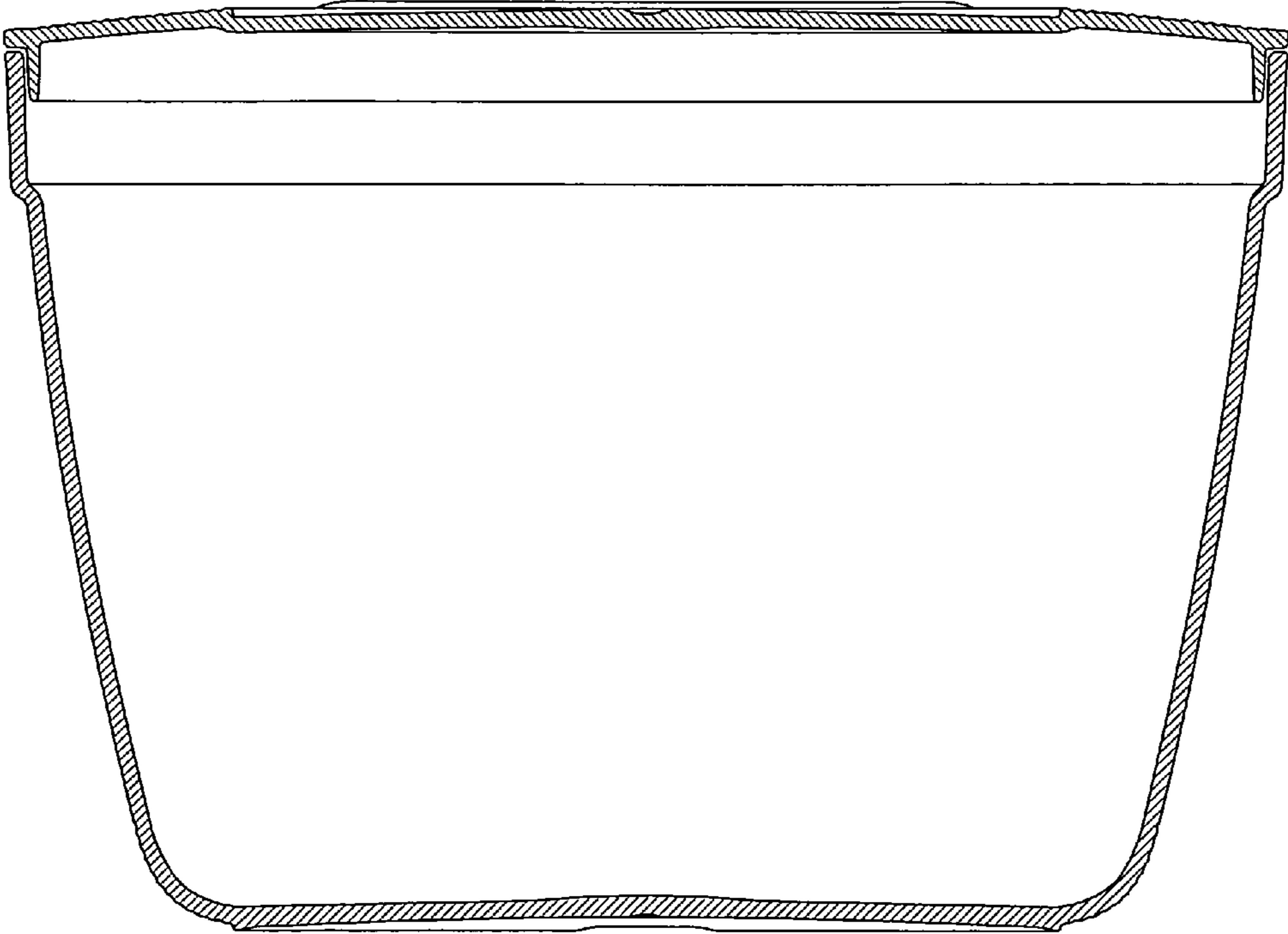


FIG. 16