



US00D708020S

(12) **United States Design Patent**
Cetera et al.

(10) **Patent No.:** **US D708,020 S**

(45) **Date of Patent:** **** Jul. 1, 2014**

(54) **BEER BOTTLE HOLDER**

(75) Inventors: **Carl Cetera**, Westfield, NJ (US);
Ricardo A. Tello, Santa Fe Springs, CA (US)

(73) Assignee: **Catapaxi Custom Design and Manufacturing LLC**, Carlstadt, NJ (US)

(**) Term: **14 Years**

(21) Appl. No.: **29/421,308**

(22) Filed: **Jul. 2, 2012**

Related U.S. Application Data

(63) Continuation of application No. 29/421,112, filed on May 24, 2012.

(51) **LOC (10) CL.** **07-01**

(52) **U.S. CL.**
USPC **D7/620**

(58) **Field of Classification Search**
USPC D7/620, 708.1, 601, 622, 624, 607,
D7/536; 220/737, 703, 23.83, 694;
248/231.81, 311.2, 312, 148,
248/148.1-148.7, 229.16, 313, 315, 146;
211/412; D12/411; 215/386, 390;
D20/43, 28

See application file for complete search history.

(56) **References Cited**

U.S. PATENT DOCUMENTS

4,961,555 A * 10/1990 Egan, Jr. 248/231.81
D322,194 S * 12/1991 Egan, Jr. D7/708.1

6,019,335 A * 2/2000 Sehati 248/312
D449,206 S * 10/2001 DuBow D7/708.1
D484,753 S * 1/2004 Giampavolo D7/620
6,682,034 B1 * 1/2004 Vial 248/231.81
D489,577 S * 5/2004 Giampavolo D7/620
D517,373 S * 3/2006 Cappellino et al. D7/620
D559,043 S * 1/2008 Peota et al. D7/620
D650,691 S * 12/2011 Miller D9/620
D650,692 S * 12/2011 Miller D9/620
D669,317 S * 10/2012 Giampavolo et al. D7/620
8,413,838 B2 * 4/2013 Miller 220/737

* cited by examiner

Primary Examiner — Ian Simmons

Assistant Examiner — Eleni Aldridge

(74) *Attorney, Agent, or Firm* — Steven E. Shapiro

(57) **CLAIM**

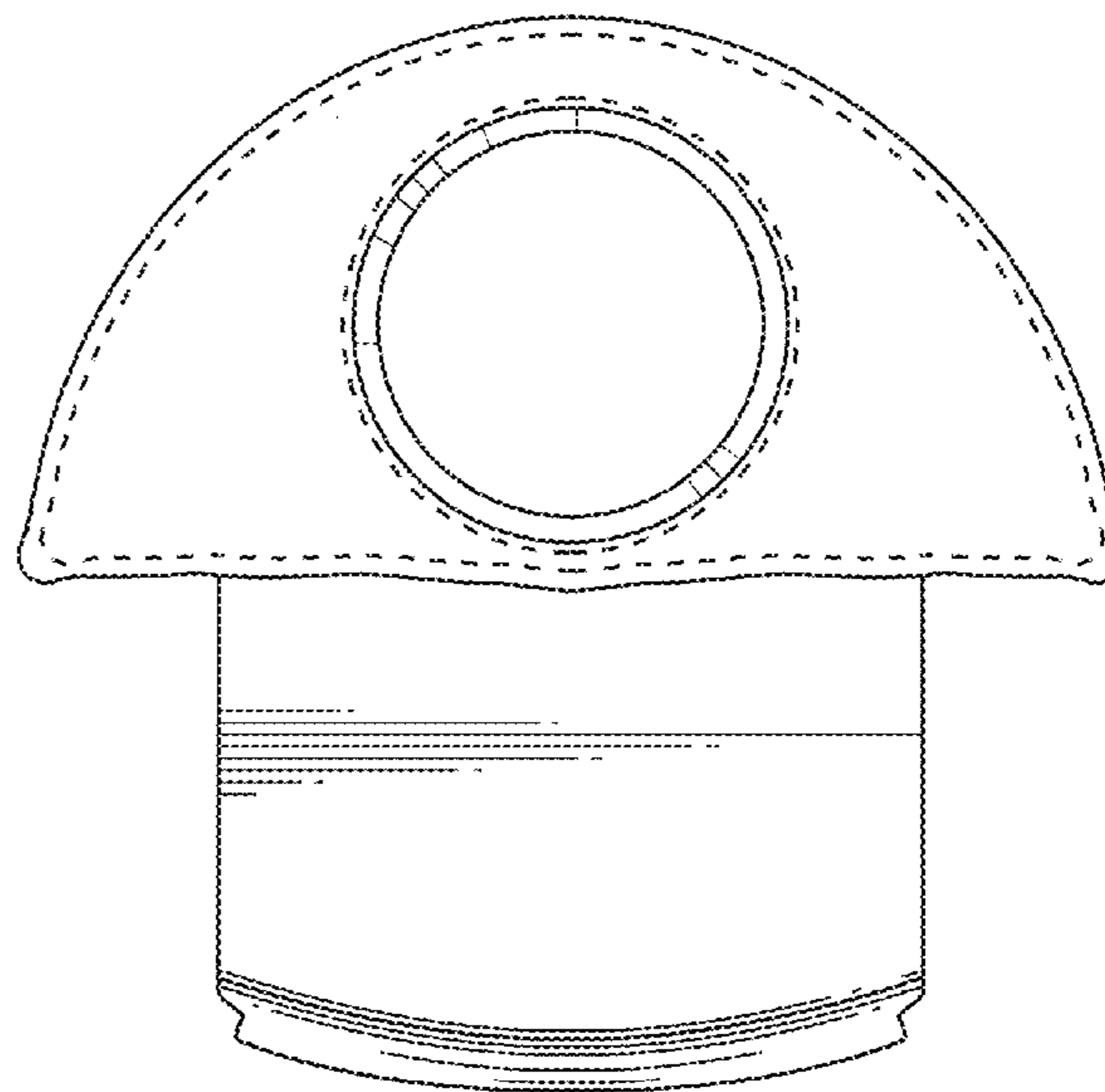
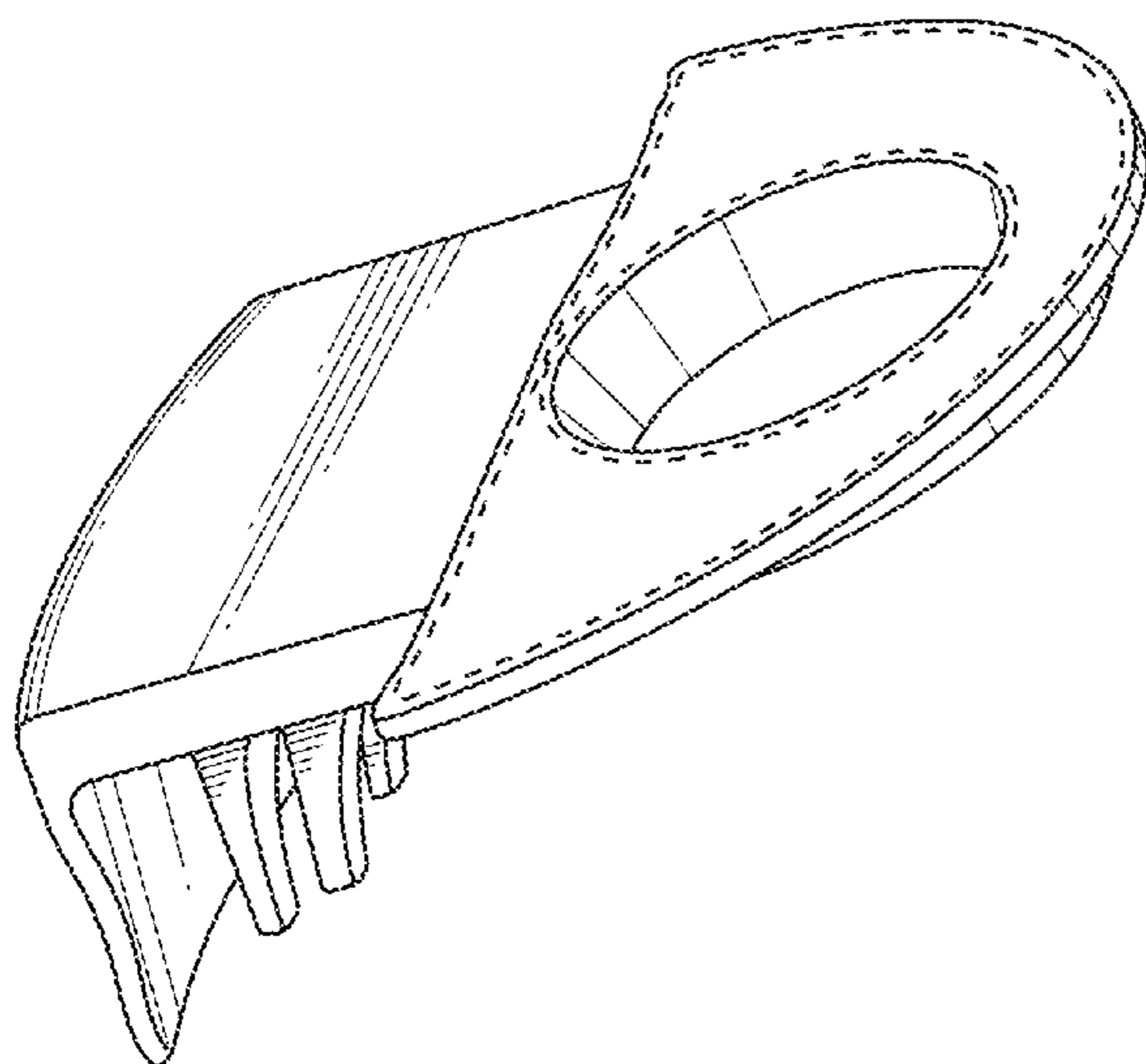
The ornamental design for a beer bottle holder, as shown and described.

DESCRIPTION

FIG. 1 is a top perspective view of a beer bottle holder; FIG. 2 is a bottom perspective view of the beer bottle holder; FIG. 3 is a top plan view of the beer bottle holder; FIG. 4 is a bottom plan view of the beer bottle holder; FIG. 5 is a right side view of the beer bottle holder; FIG. 6 is a left side view of the beer bottle holder; FIG. 7 is a rear view of the beer bottle holder; and, FIG. 8 is a front view of the beer bottle holder.

The broken line showing is included for the purpose of illustrating portions of the article that form no part of the claimed design.

1 Claim, 3 Drawing Sheets



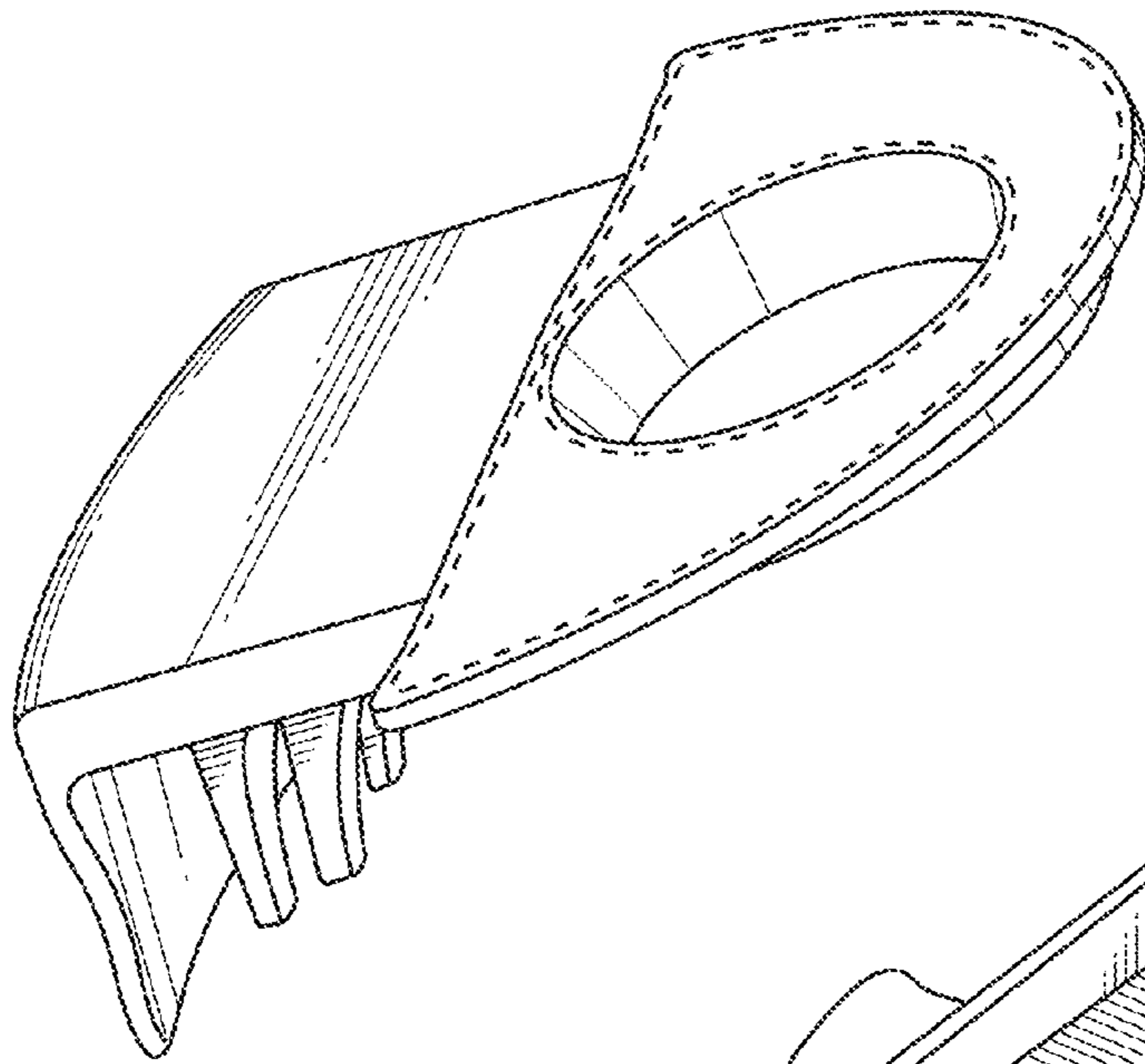


Fig. 1

Fig. 2

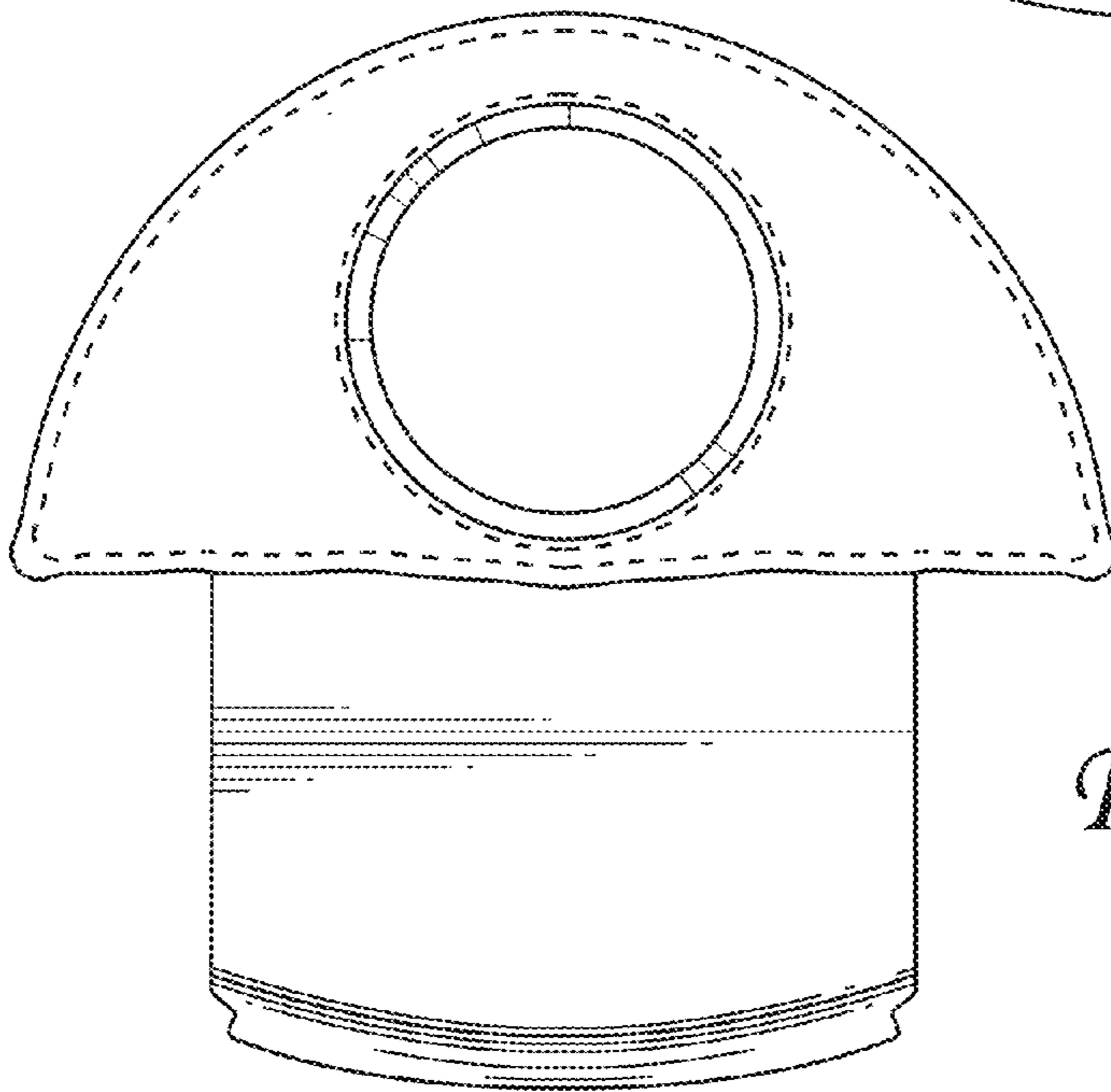
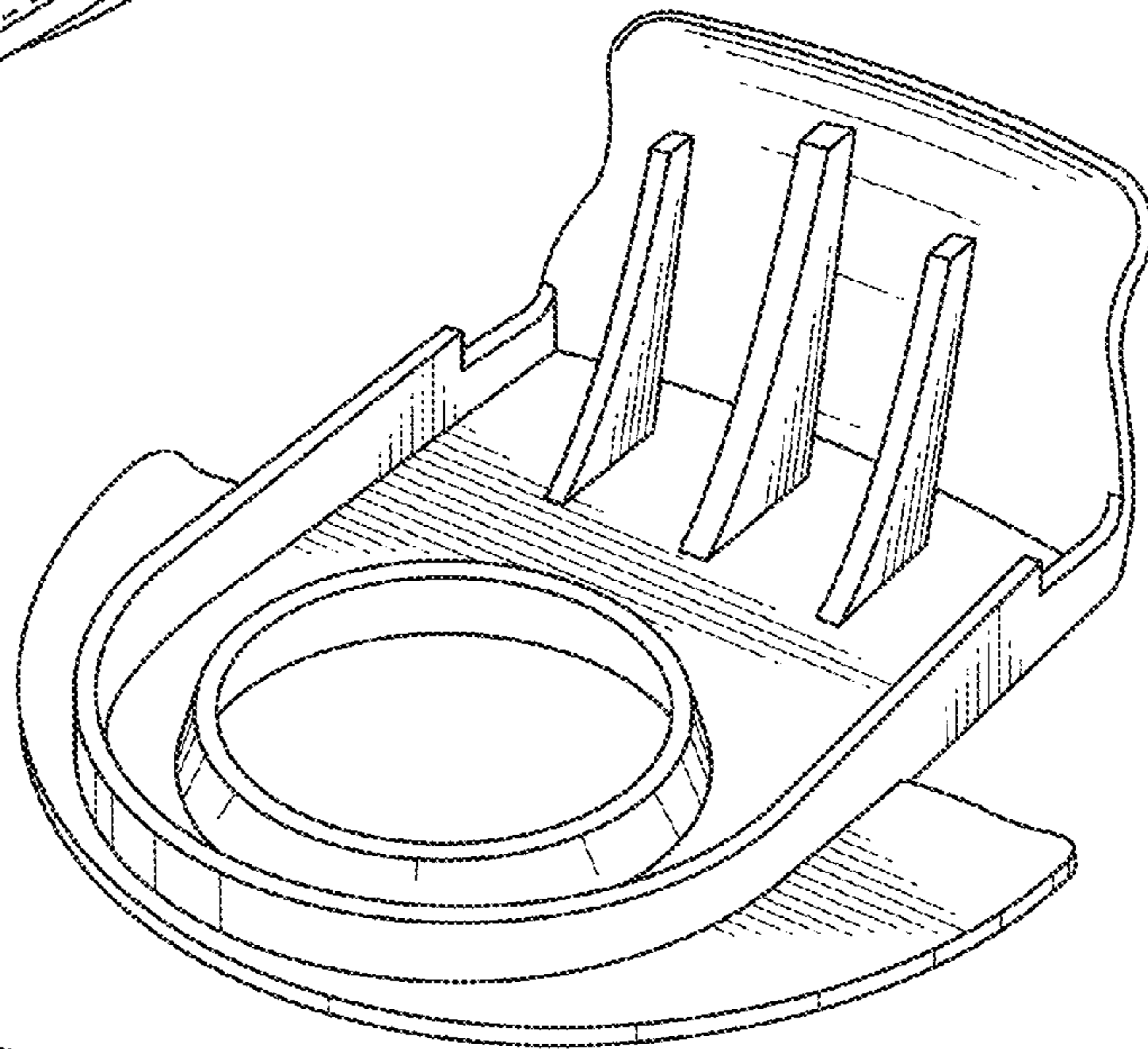


Fig. 3

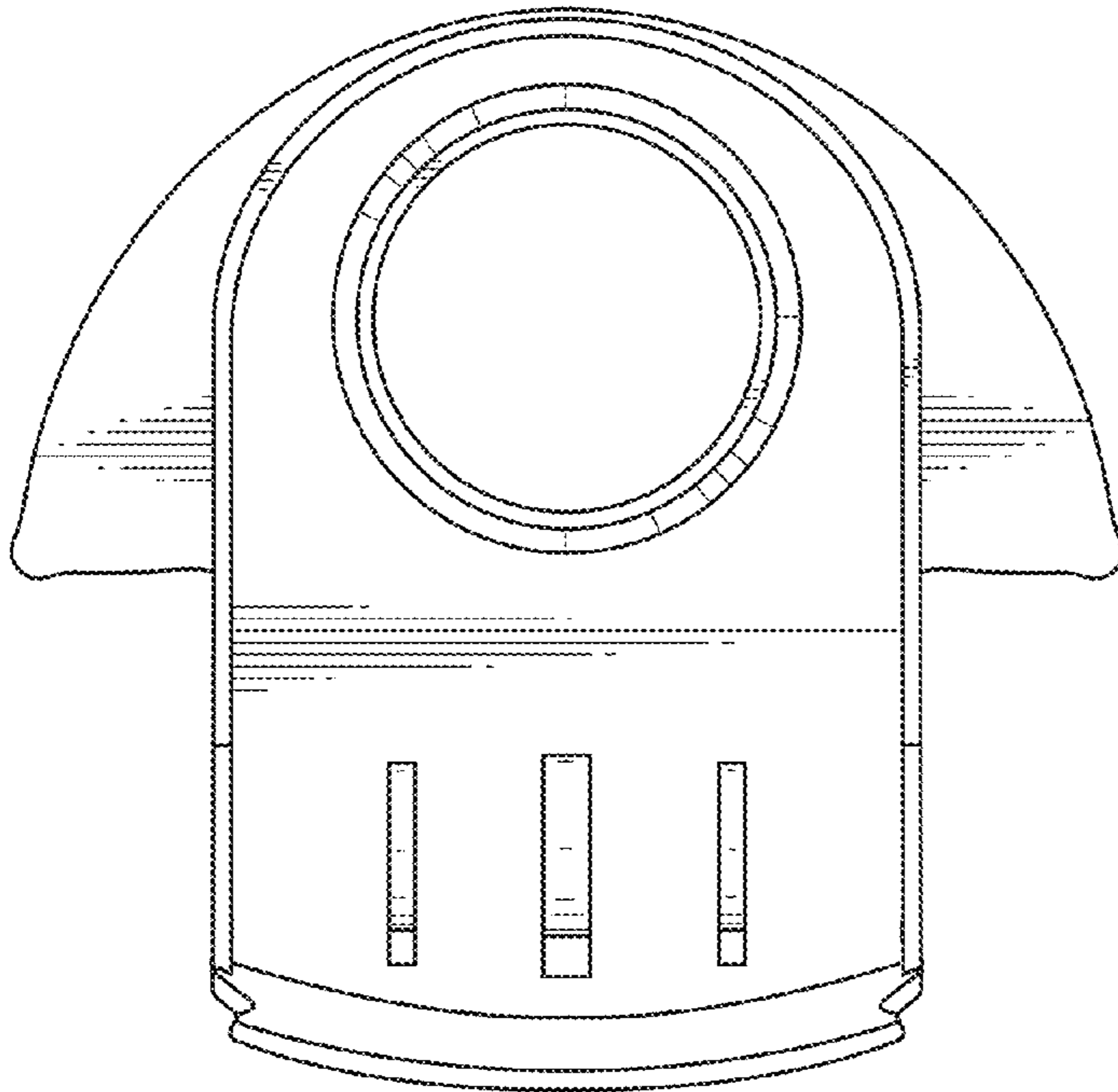


Fig. 4

Fig. 5

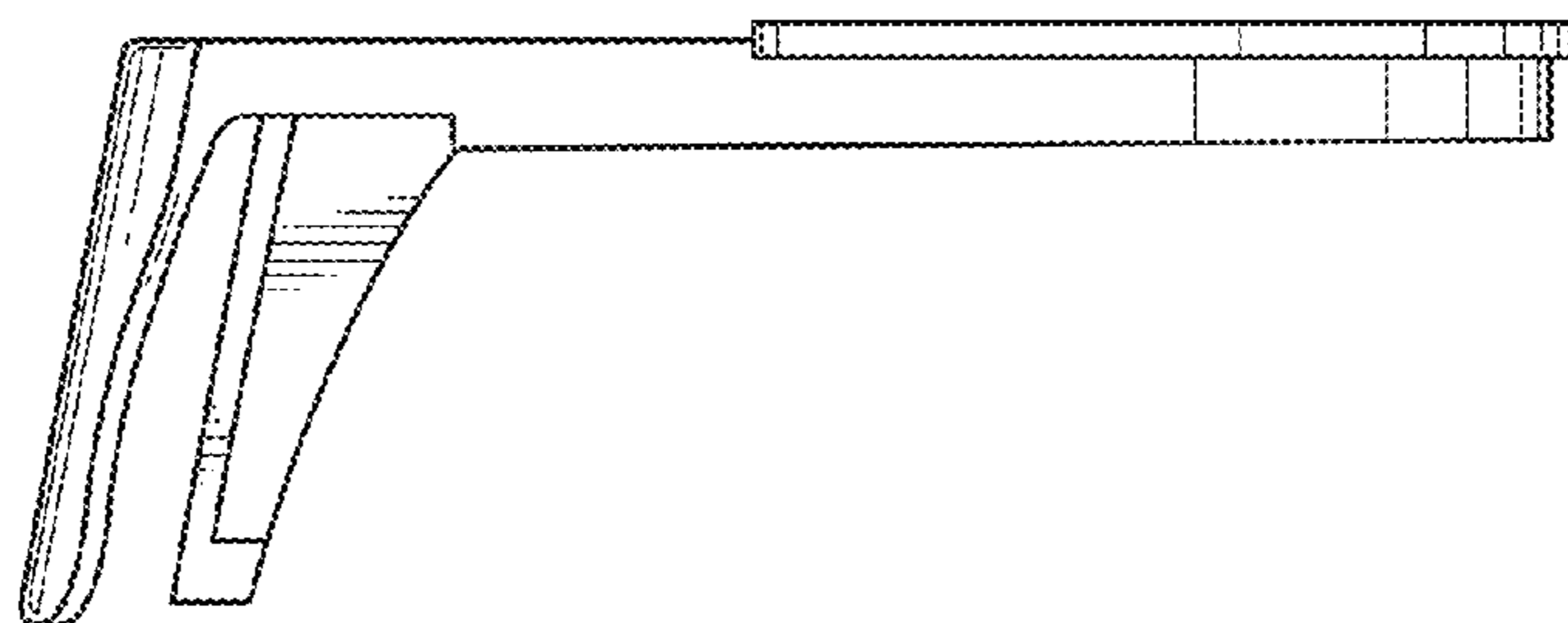
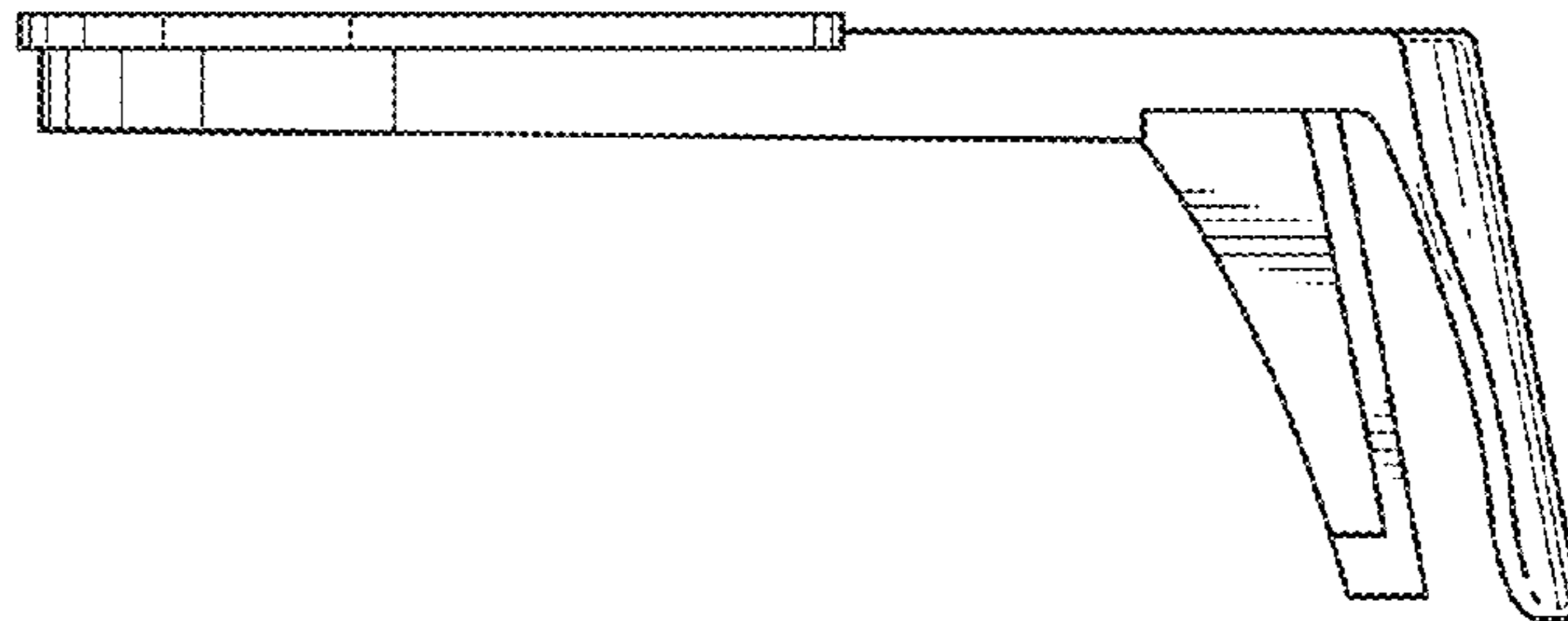


Fig. 6

Fig. 7

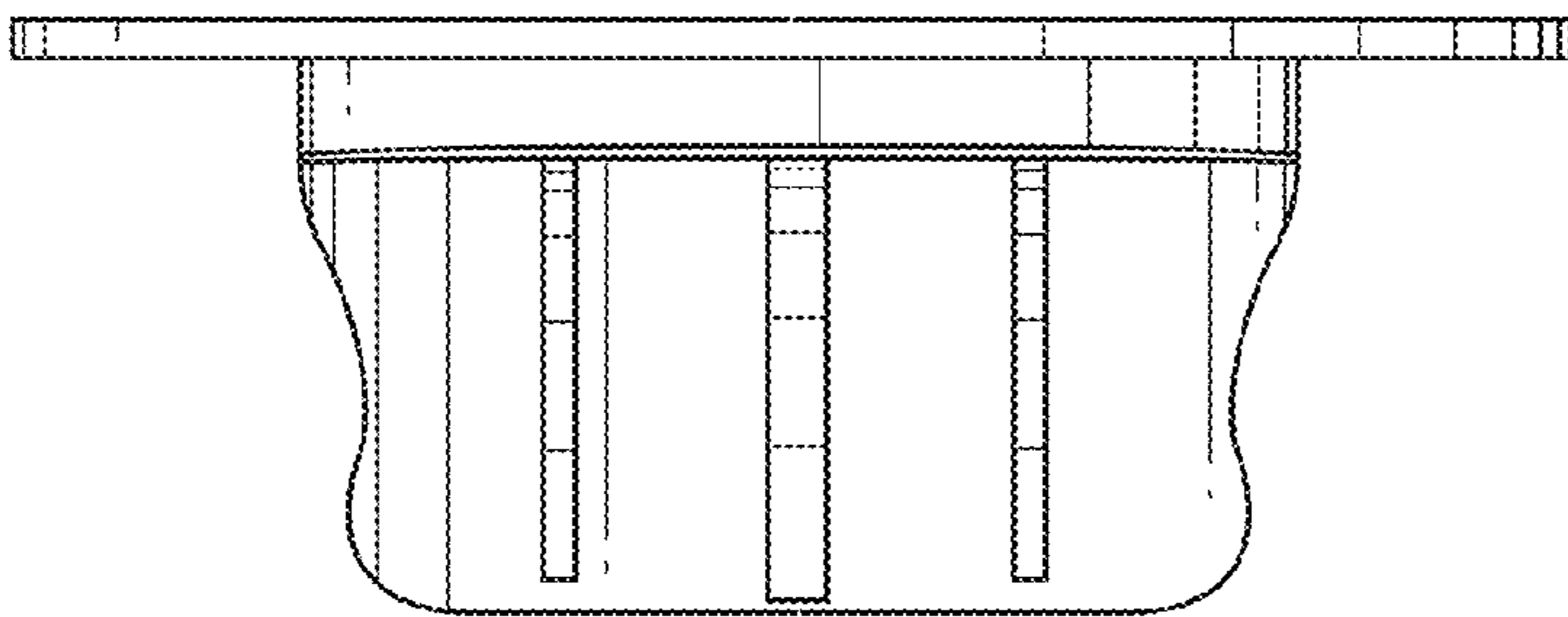
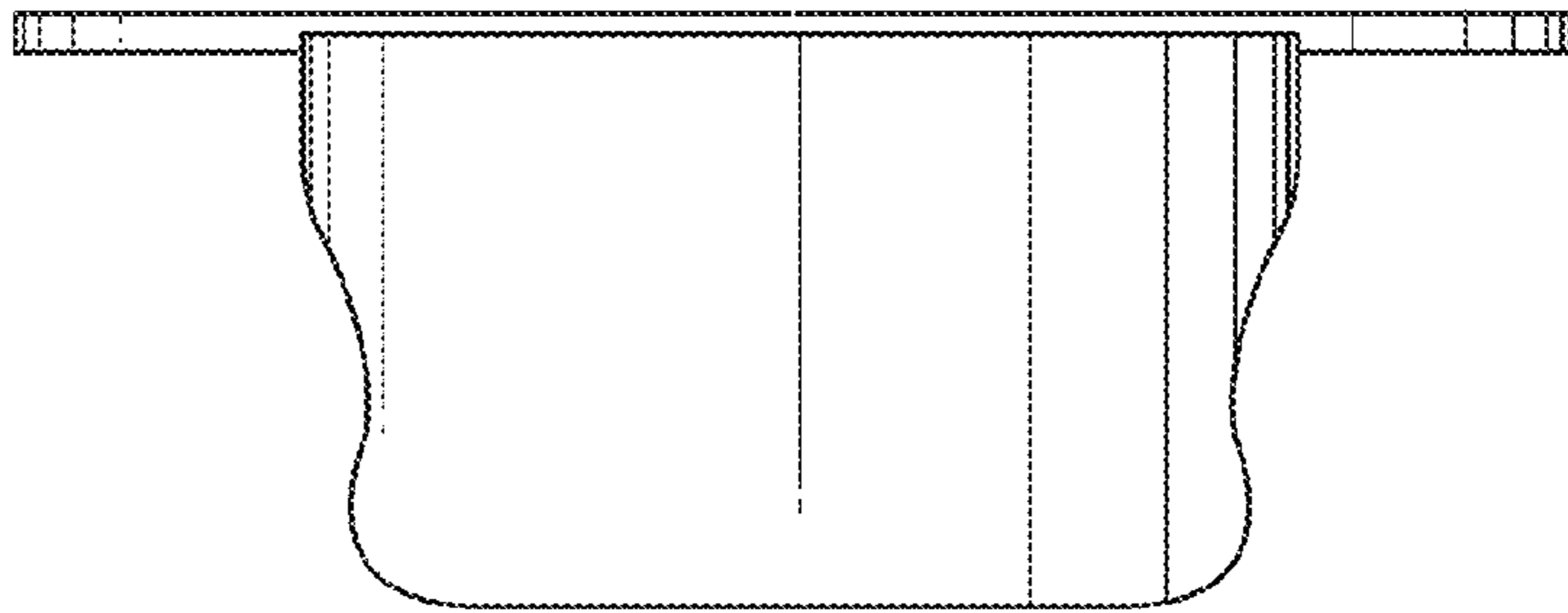


Fig. 8