



US00D708018S

(12) **United States Design Patent**
Carlson

(10) **Patent No.:** **US D708,018 S**
(45) **Date of Patent:** **** Jul. 1, 2014**

- (54) **CONTAINER BASE**
- (71) Applicant: **The Decor Corporation Pty. Ltd.,**
Scoresby (AU)
- (72) Inventor: **Arthur Richard Carlson,** Hawthorn
(AU)
- (73) Assignee: **The Decor Corporation Pty. Ltd.,**
Scoresby, Victoria (AU)
- (*) Notice: This patent is subject to a terminal disclaimer.
- (**) Term: **14 Years**
- (21) Appl. No.: **29/450,731**
- (22) Filed: **Mar. 21, 2013**

| | | | |
|-------------|-----------|--------------------|--------|
| D170,104 S | 7/1953 | 'Zabel | |
| D186,194 S | 9/1959 | Beverlin | |
| 3,142,413 A | 7/1964 | Grogel | |
| 3,384,263 A | 5/1968 | Bernstein | |
| D220,448 S | 4/1971 | Swett | |
| D224,553 S | 8/1972 | Swett | |
| D224,554 S | 8/1972 | Swett | |
| D229,916 S | 1/1974 | Schneider | |
| D232,703 S | 9/1974 | Konzi | |
| D234,568 S | 3/1975 | Swett | |
| D235,406 S | 6/1975 | Daenen | |
| D238,137 S | 12/1975 | Swett | |
| D238,148 S | 12/1975 | Dilot | |
| D240,114 S | 6/1976 | Martinelli | |
| D241,599 S | 9/1976 | Croyle | |
| D241,703 S | 10/1976 | Ashton | |
| 4,046,310 A | 9/1977 | Gustafsson | |
| D256,557 S | 8/1980 | Ikushima et al. | |
| D267,703 S | 1/1983 | Chase et al. | |
| D281,048 S | * 10/1985 | Wolff | D7/602 |
| D285,906 S | 9/1986 | Tyler | |
| D287,559 S | * 1/1987 | Daenen et al. | D7/586 |

(Continued)

- (30) **Foreign Application Priority Data**
Sep. 21, 2012 (AU) 14743/2012
- (51) **LOC (10) Cl.** **07-07**
- (52) **U.S. Cl.**
USPC **D7/602**
- (58) **Field of Classification Search**
USPC D7/601, 602, 629, 630, 538-542;
D9/424-432; 229/406, 407;
220/780-806, 675, 669-673, 660, 236,
220/326, 324, 4.23-4.25
See application file for complete search history.

Primary Examiner — Terry Wallace
(74) *Attorney, Agent, or Firm* — Cook Alex Ltd.

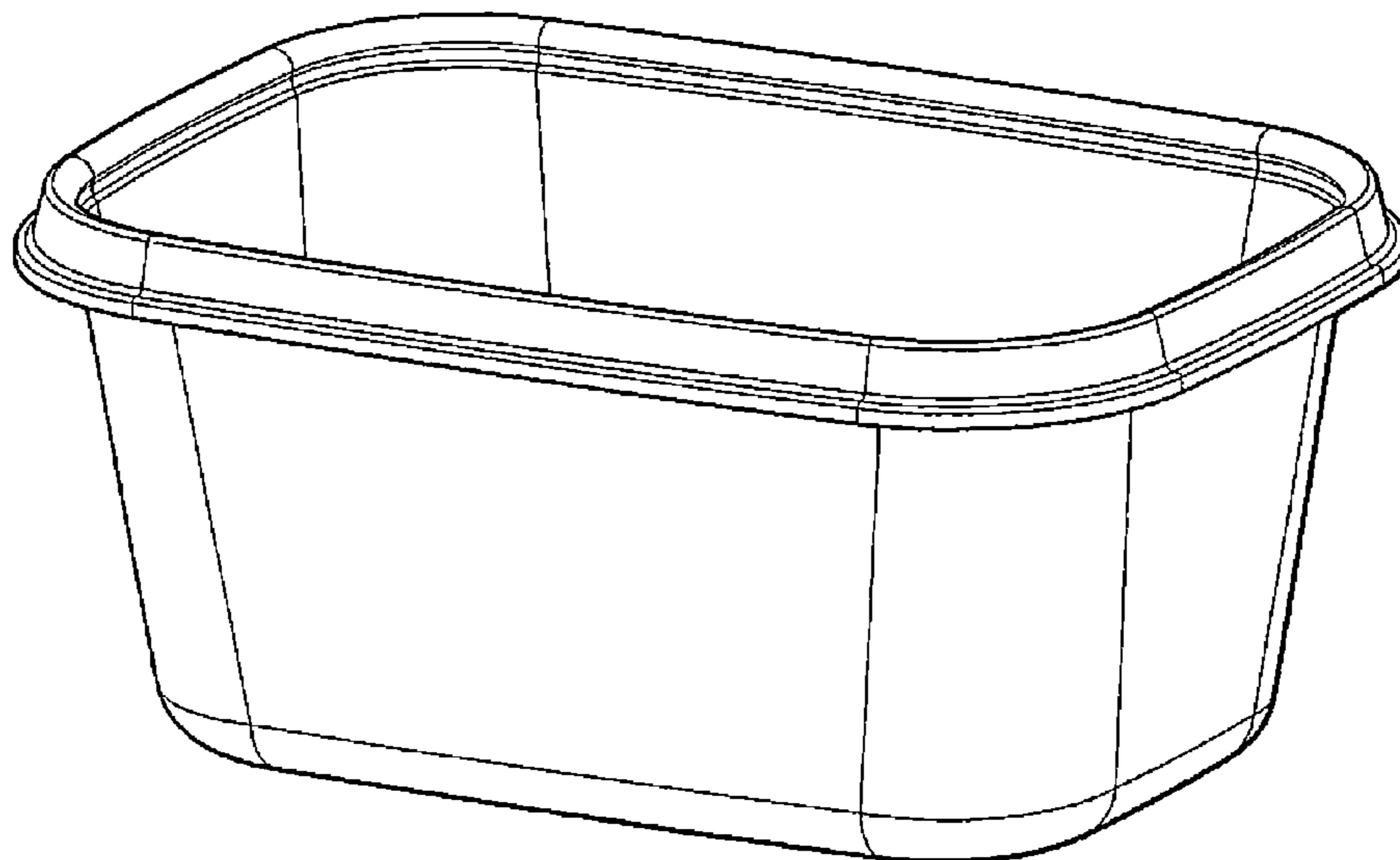
(57) **CLAIM**
The design for a container base, as shown and described.

DESCRIPTION

FIG. 1 is a front perspective view, from above, of the claimed design;
FIG. 2 is a rear perspective view, from beneath, of the claimed design;
FIG. 3 is a top plan view of the claimed design;
FIG. 4 is an underneath view of the claimed design;
FIG. 5 is a front view of the claimed design;
FIG. 6 is a rear view of the claimed design;
FIG. 7 is a left side view of the claimed design; and,
FIG. 8 is a right side view of the claimed design.

- (56) **References Cited**
U.S. PATENT DOCUMENTS
D3,357 S 2/1869 Pratt
D3,358 S 2/1869 Pratt
D117,714 S 11/1939 Guttman
D162,579 S 3/1951 Roop

1 Claim, 4 Drawing Sheets



(56)

References Cited

U.S. PATENT DOCUMENTS

D287,573 S 1/1987 Tyler
 D289,719 S 5/1987 Daenen et al.
 4,819,824 A * 4/1989 Longbottom et al. 220/266
 D305,410 S 1/1990 Tyler
 5,065,887 A 11/1991 Schuh et al.
 D326,391 S 5/1992 Verchere
 D330,660 S 11/1992 Newton et al.
 D342,817 S 12/1993 Lippisch et al.
 D351,791 S 10/1994 Morris, Sr.
 D354,655 S 1/1995 Daenen et al.
 D358,328 S 5/1995 Huerto et al.
 D360,898 S 8/1995 Huerto et al.
 D363,662 S 10/1995 Plater
 D365,273 S 12/1995 Indekeu
 D375,654 S 11/1996 Ferris
 D375,836 S 11/1996 Conti
 D377,739 S 2/1997 Carlson
 D379,287 S 5/1997 Carlson
 D384,864 S 10/1997 Carlson
 D403,582 S 1/1999 Nask et al.
 D403,583 S 1/1999 Nask et al.
 D403,924 S 1/1999 Carlson
 D404,571 S 1/1999 Evans
 D413,231 S 8/1999 Loew et al.
 D420,859 S 2/2000 Loew et al.
 D428,310 S 7/2000 Zettle et al.
 D440,725 S 4/2001 Zimmerman
 D446,117 S 8/2001 Conti
 D448,133 S 9/2001 Windle
 D457,784 S 5/2002 Torniainen et al.
 D469,320 S 1/2003 Pettaweebuncha
 D484,797 S 1/2004 Kipperman et al.
 D513,376 S 1/2006 Shannon
 D536,248 S 2/2007 Lesquir
 D540,669 S 4/2007 George et al.
 D542,591 S 5/2007 Carlson

D548,588 S * 8/2007 Bouveret et al. D9/428
 D555,476 S 11/2007 Nielsen et al.
 D571,200 S 6/2008 Bouveret et al.
 D581,204 S 11/2008 Simon et al.
 D584,145 S 1/2009 Young
 D588,914 S 3/2009 Laurieu-Tedeschi
 D593,855 S 6/2009 Scheve
 D595,128 S 6/2009 Bouveret et al.
 D601,386 S 10/2009 Carlson
 D601,387 S 10/2009 Carlson
 D601,388 S 10/2009 Carlson
 D601,857 S 10/2009 Carlson
 D614,919 S * 5/2010 Carlson D7/602
 D618,516 S 6/2010 DiPietro et al.
 D630,899 S 1/2011 Samartgis
 D630,900 S 1/2011 Samartgis
 D630,901 S 1/2011 Samartgis
 D631,298 S 1/2011 Samartgis
 D631,299 S 1/2011 Samartgis
 D631,300 S 1/2011 Samartgis
 D631,706 S 2/2011 Samartgis
 D631,707 S 2/2011 Samartgis
 D642,905 S 8/2011 Samartgis
 D642,906 S 8/2011 Samartgis
 D642,907 S 8/2011 Samartgis
 D643,710 S 8/2011 Samartgis
 D643,711 S 8/2011 Samartgis
 D643,712 S 8/2011 Samartgis
 D644,883 S 9/2011 Samartgis
 D644,884 S 9/2011 Samartgis
 D644,885 S 9/2011 Samartgis
 D644,886 S * 9/2011 Samartgis D7/602
 D644,887 S 9/2011 Samartgis
 D644,888 S 9/2011 Samartgis
 D655,576 S 3/2012 Samartgis
 D655,577 S 3/2012 Samartgis
 D655,578 S 3/2012 Samartgis
 2009/0120937 A1 * 5/2009 Vovan 220/266

* cited by examiner

FIG. 1

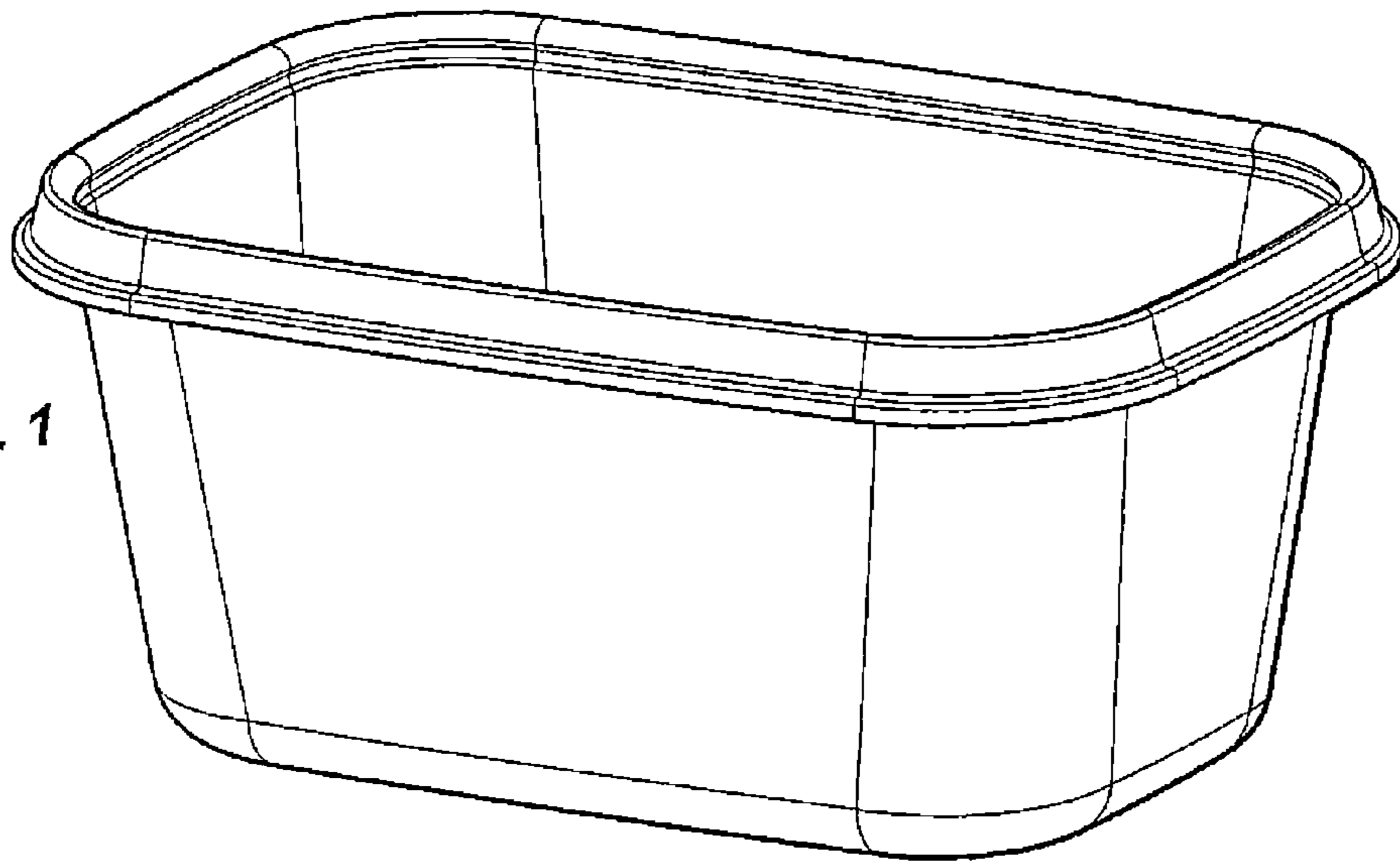


FIG. 2

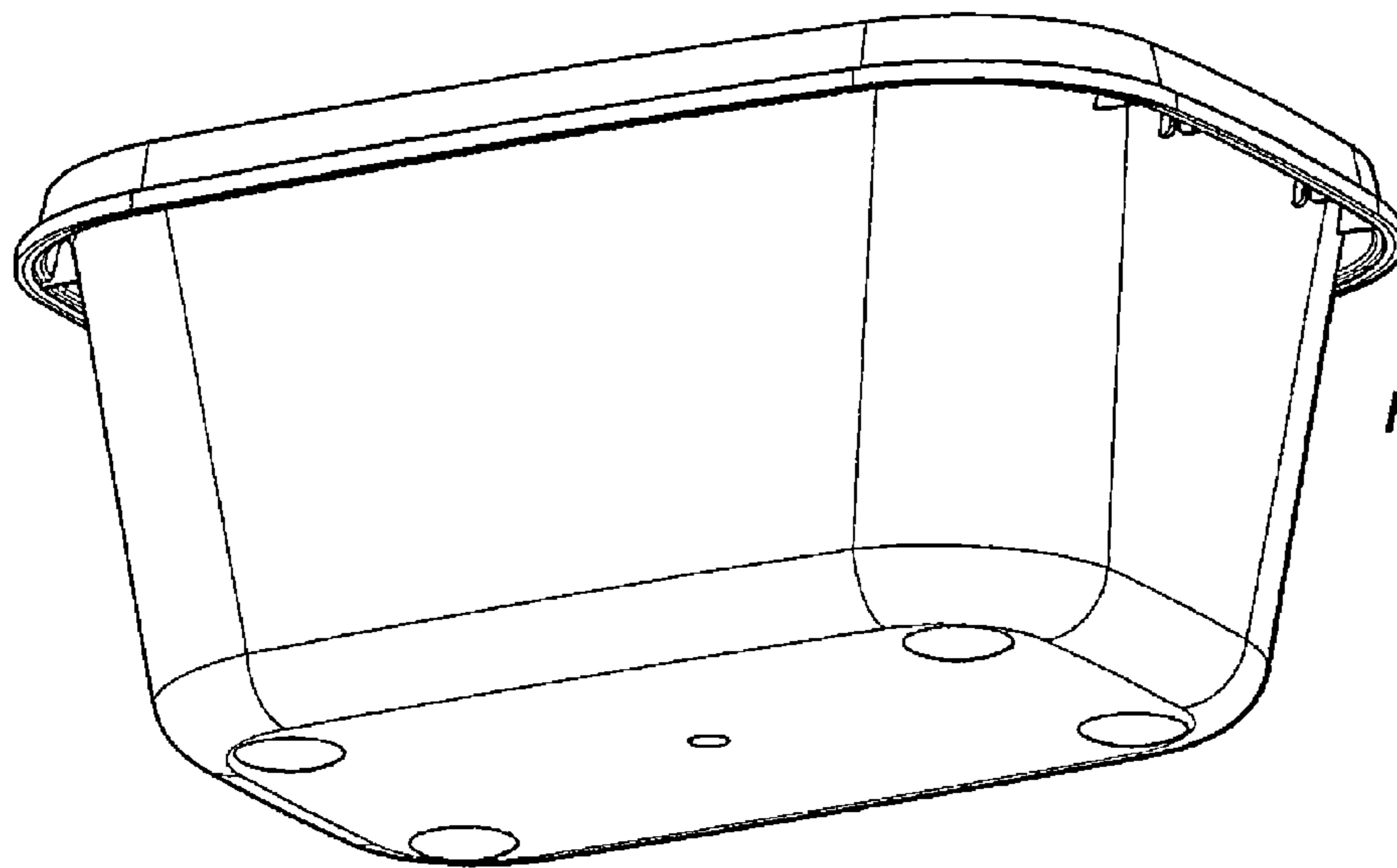


FIG. 3

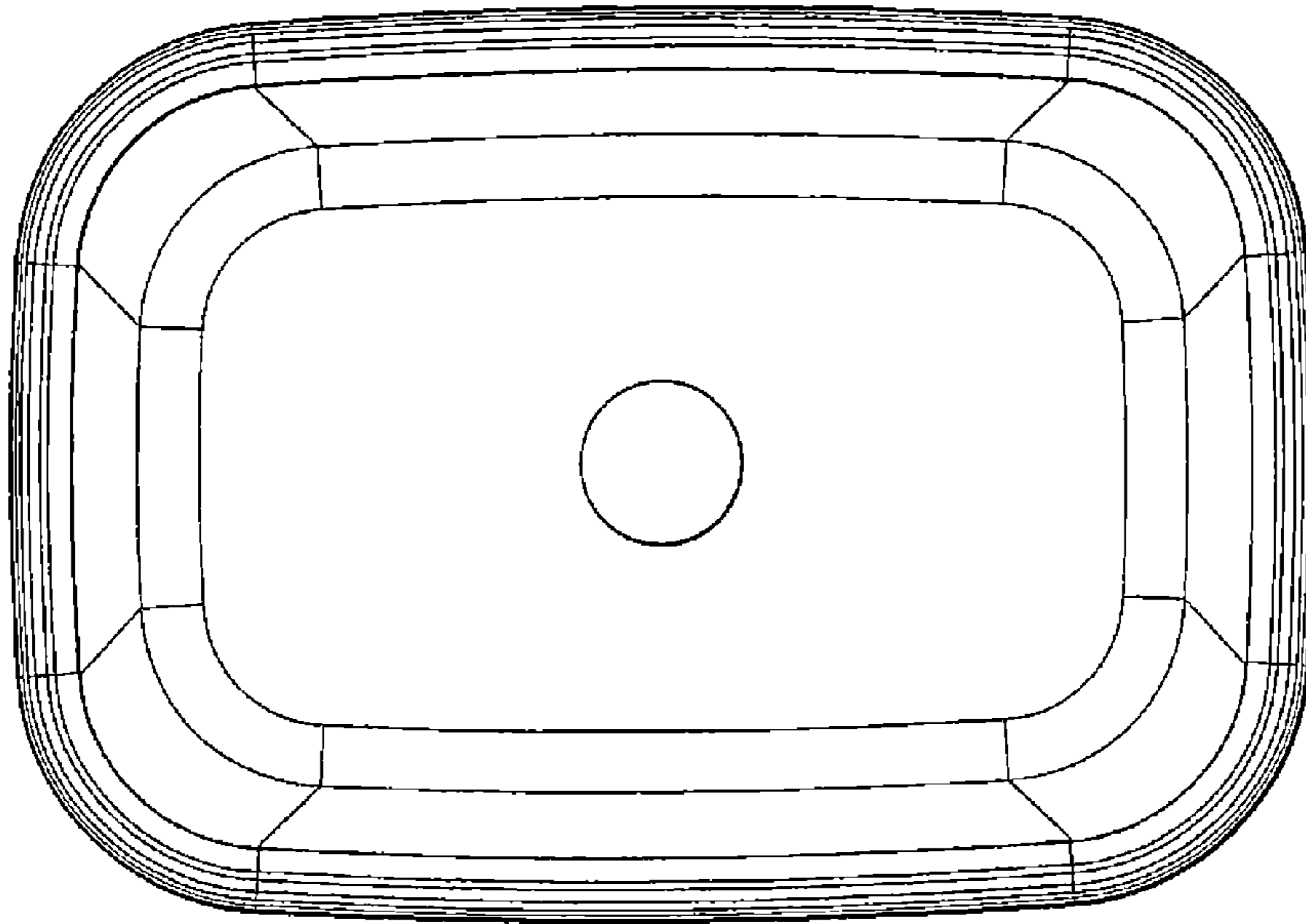


FIG. 4

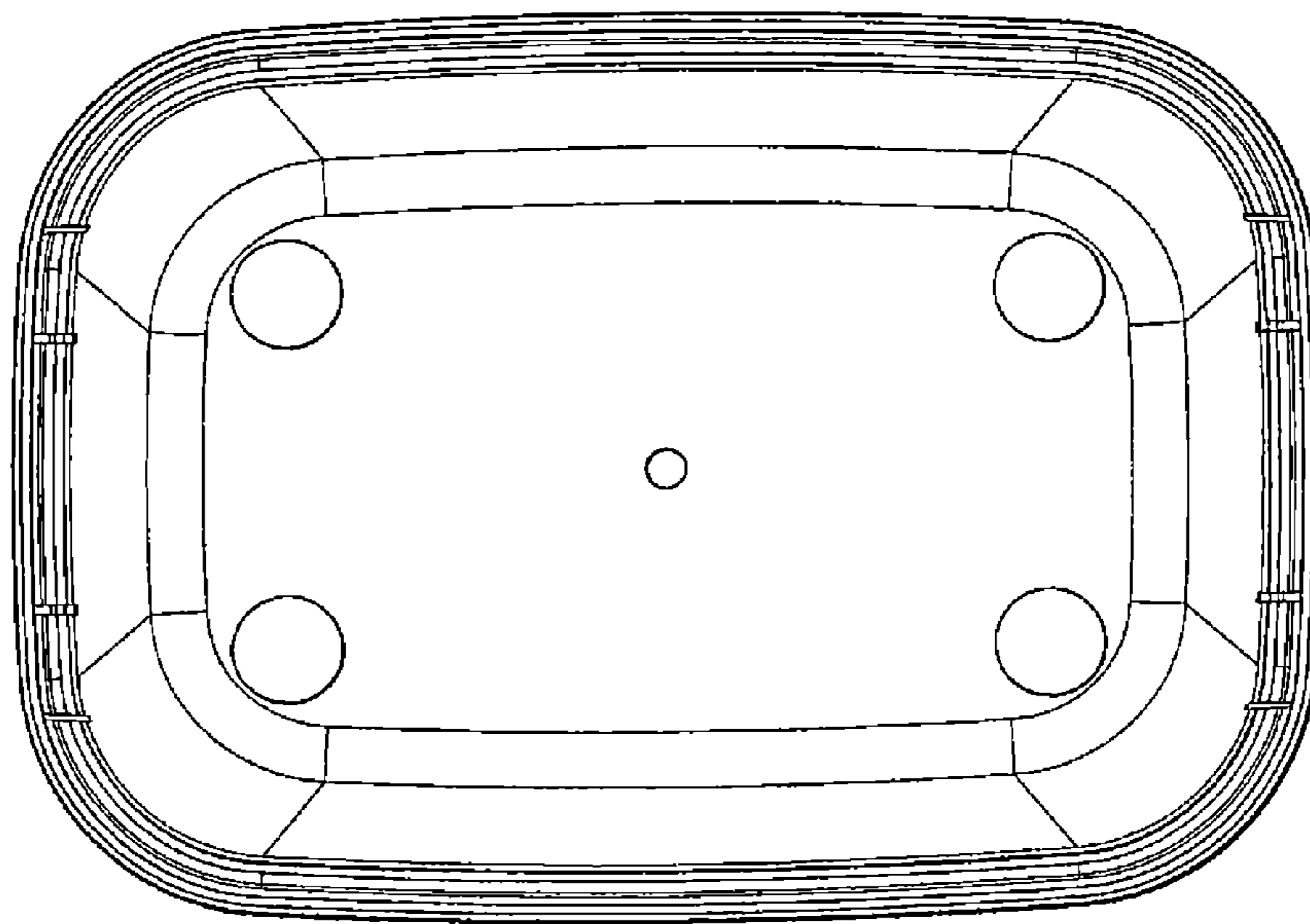


FIG. 5

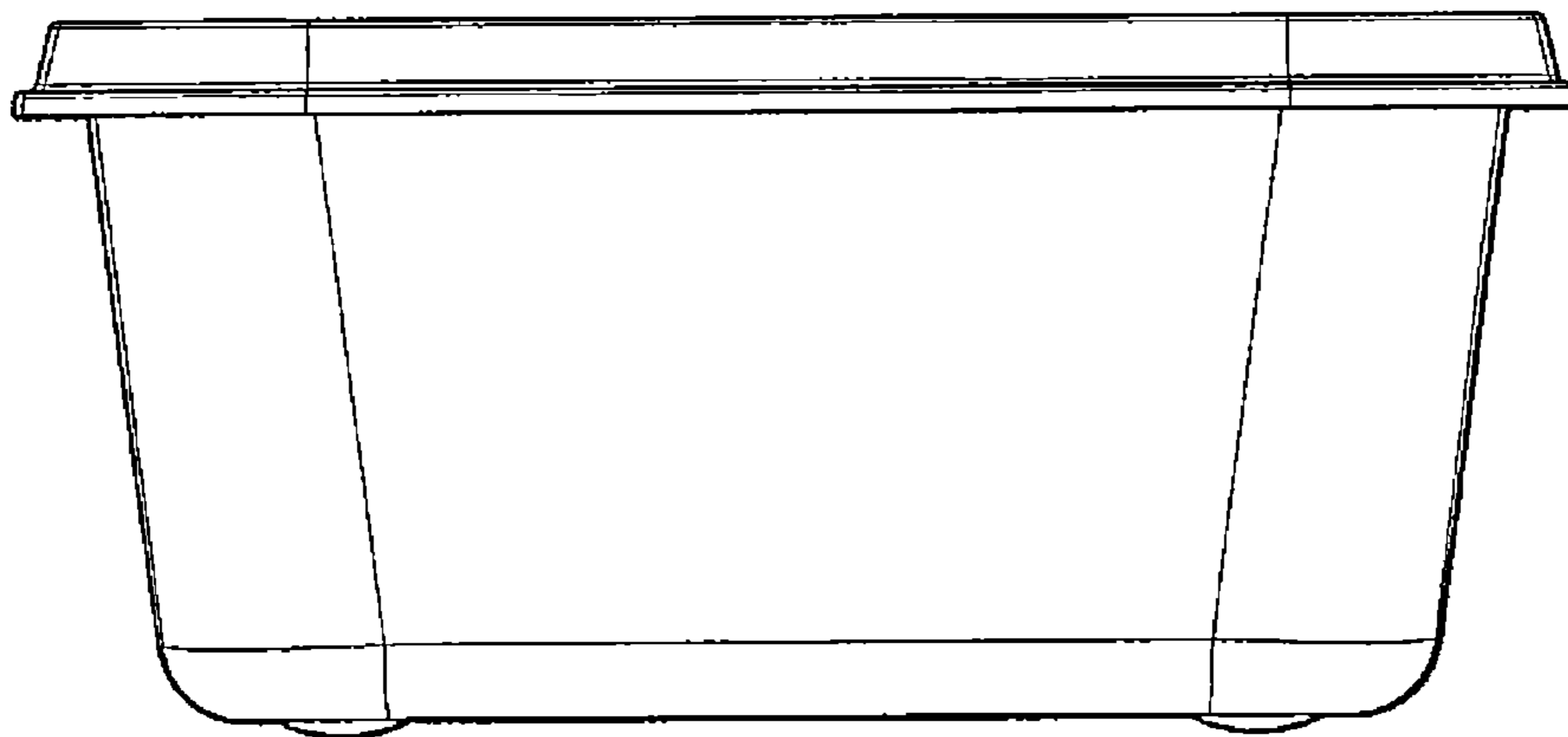


FIG. 6

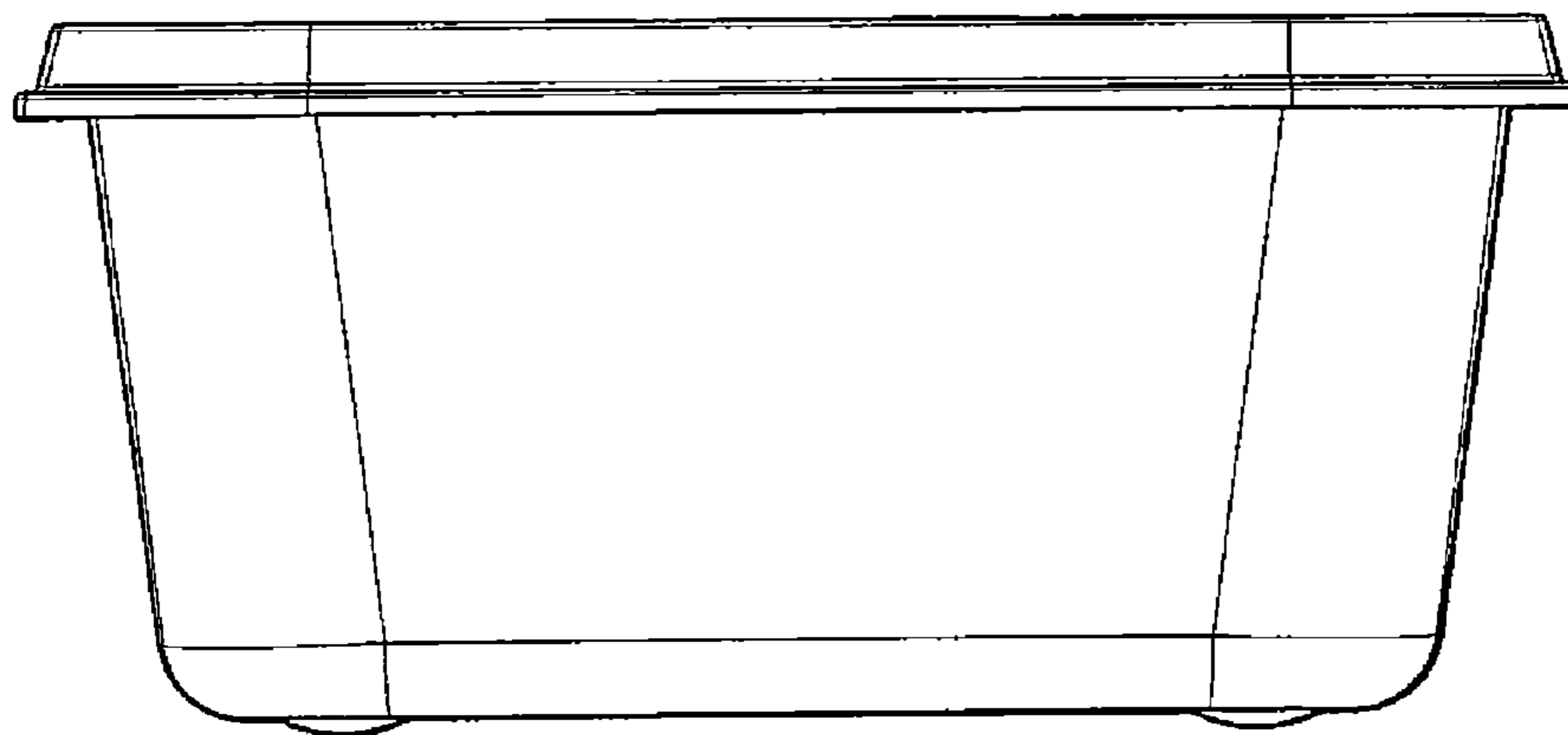


FIG. 7

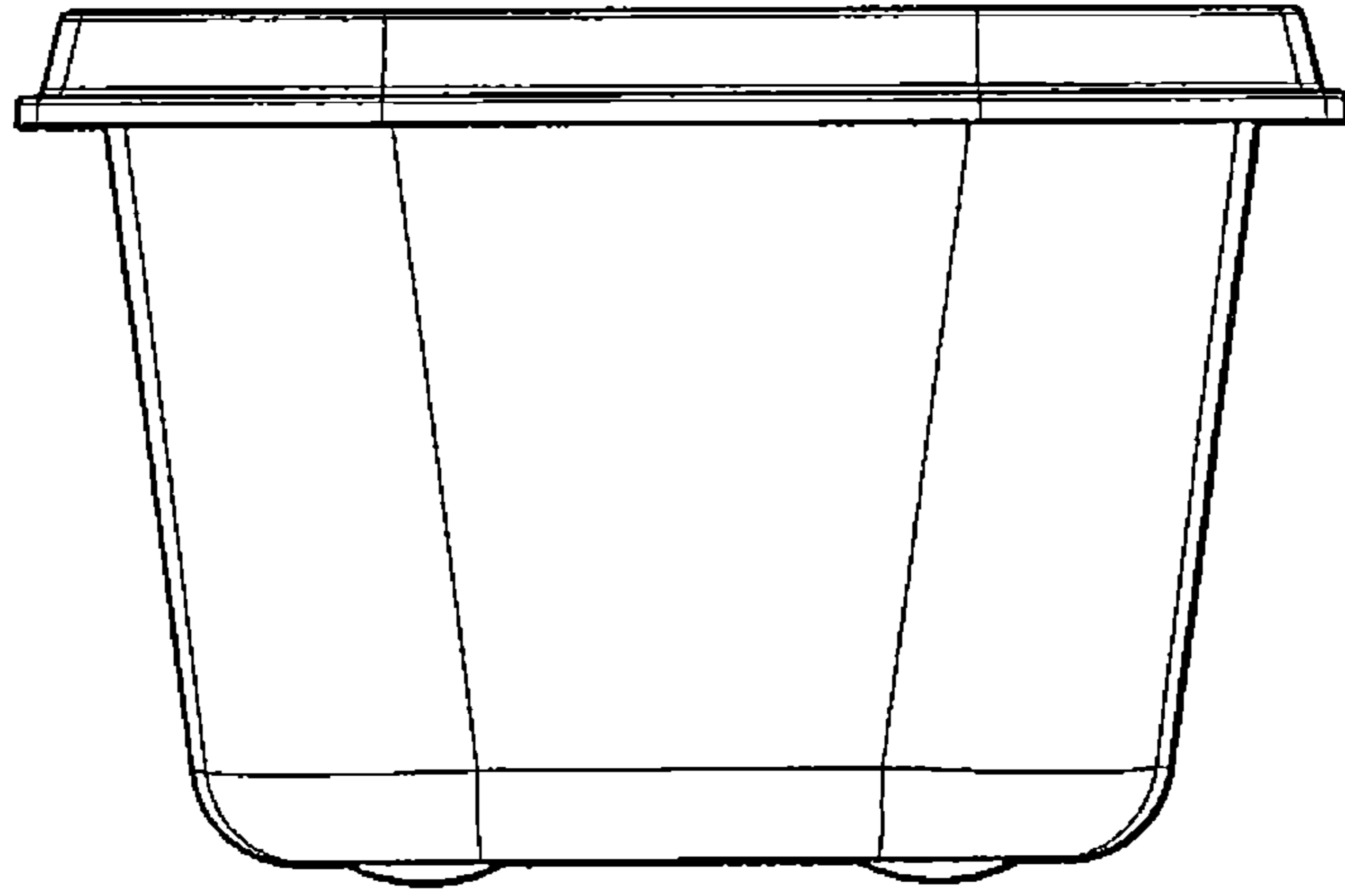


FIG. 8

