



US00D708014S

(12) **United States Design Patent**
Marini

(10) **Patent No.:** **US D708,014 S**

(45) **Date of Patent:** **** Jul. 1, 2014**

(54) **JERSEY SHOT GLASS**

(71) Applicant: **Michael J Marini**, Burke, VA (US)

(72) Inventor: **Michael J Marini**, Burke, VA (US)

(**) Term: **14 Years**

(21) Appl. No.: **29/461,198**

(22) Filed: **Jul. 19, 2013**

(51) **LOC (10) Cl.** **07-01**

(52) **U.S. Cl.**
USPC **D7/517**; D7/516; D7/625

(58) **Field of Classification Search**
CPC A47G 19/2227; A47G 10/2272
USPC D7/516, 517, 519, 520, 510, 511;
D9/621, 503; 222/78
See application file for complete search history.

(56) **References Cited**

U.S. PATENT DOCUMENTS

4,867,214	A	*	9/1989	Fuller	428/35.8
D361,932	S	*	9/1995	Hensch	D9/623
D369,114	S		4/1996	Davidov		
D372,837	S		8/1996	Ballin		
5,772,065	A		6/1998	Kalamaras		
D448,241	S		9/2001	Morris, Jr.		
D480,609	S	*	10/2003	Hicks et al.	D7/625
D482,244	S	*	11/2003	Yamane	D7/625
D484,366	S	*	12/2003	Yamane	D7/625
D489,229	S	*	5/2004	Yamane	D7/625
D494,423	S	*	8/2004	Wright	D7/606
D497,780	S	*	11/2004	Hicks et al.	D7/624.2
D499,309	S	*	12/2004	Hicks	D7/625
D504,800	S	*	5/2005	Garcia	D7/625

D505,049	S	*	5/2005	Ramsdale	D7/606
D505,838	S	*	6/2005	Hicks	D7/625
D567,031	S	*	4/2008	Zacharias et al.	D7/624.3
D604,995	S	*	12/2009	Cepero	D7/625
D605,903	S	*	12/2009	Battle	D7/625
D617,648	S	*	6/2010	Puglisi	D9/623
D621,661	S		8/2010	Levovnik		
D626,857	S	*	11/2010	Spanjaard	D9/631
D651,862	S	*	1/2012	Fontana-Kwon	D7/625
D657,197	S		4/2012	McCleary		
D663,163	S		7/2012	Dick et al.		
D664,397	S	*	7/2012	Franco	D7/517
D677,995	S	*	3/2013	Chickering, II	D7/625
D694,116	S	*	11/2013	Spivey	D9/623

* cited by examiner

Primary Examiner — Marianne Pandozzi

(74) *Attorney, Agent, or Firm* — The Marbury Law Group, PLLC

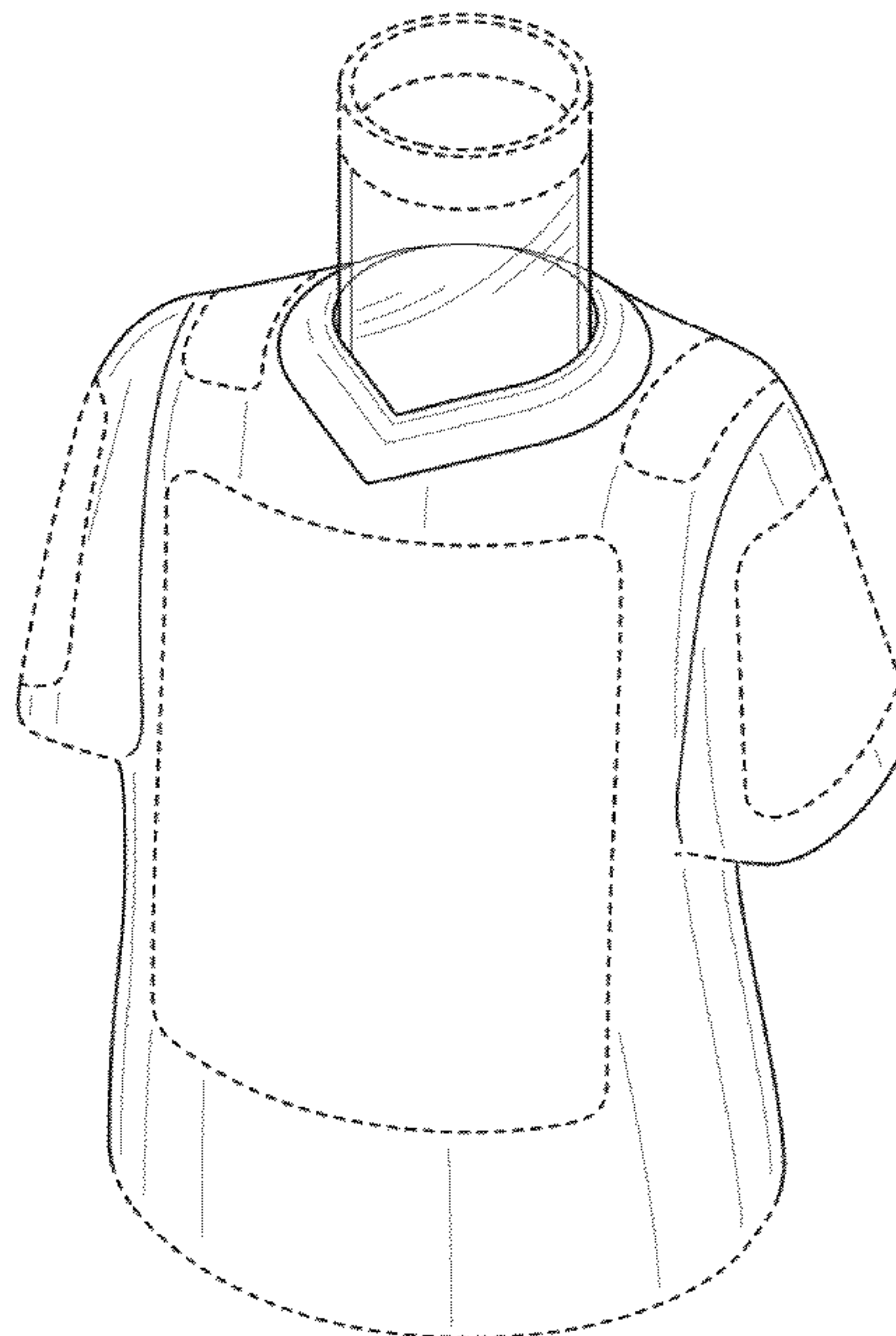
(57) **CLAIM**

The ornamental design for a jersey shot glass, as shown and described.

DESCRIPTION

FIG. 1 is a front/right side perspective view of the jersey shot glass design.
FIG. 2 is a front view of the jersey shot glass design.
FIG. 3 is a rear view of the jersey shot glass design.
FIG. 4 is a left side view of the jersey shot glass design.
FIG. 5 is a right side view of the jersey shot glass design.
FIG. 6 is a top view of the jersey shot glass design; and,
FIG. 7 is a bottom view of the jersey shot glass design.
The broken lines shown in FIGS. 1-7 represent portions of the jersey shot glass that form no part of the claim.

1 Claim, 6 Drawing Sheets



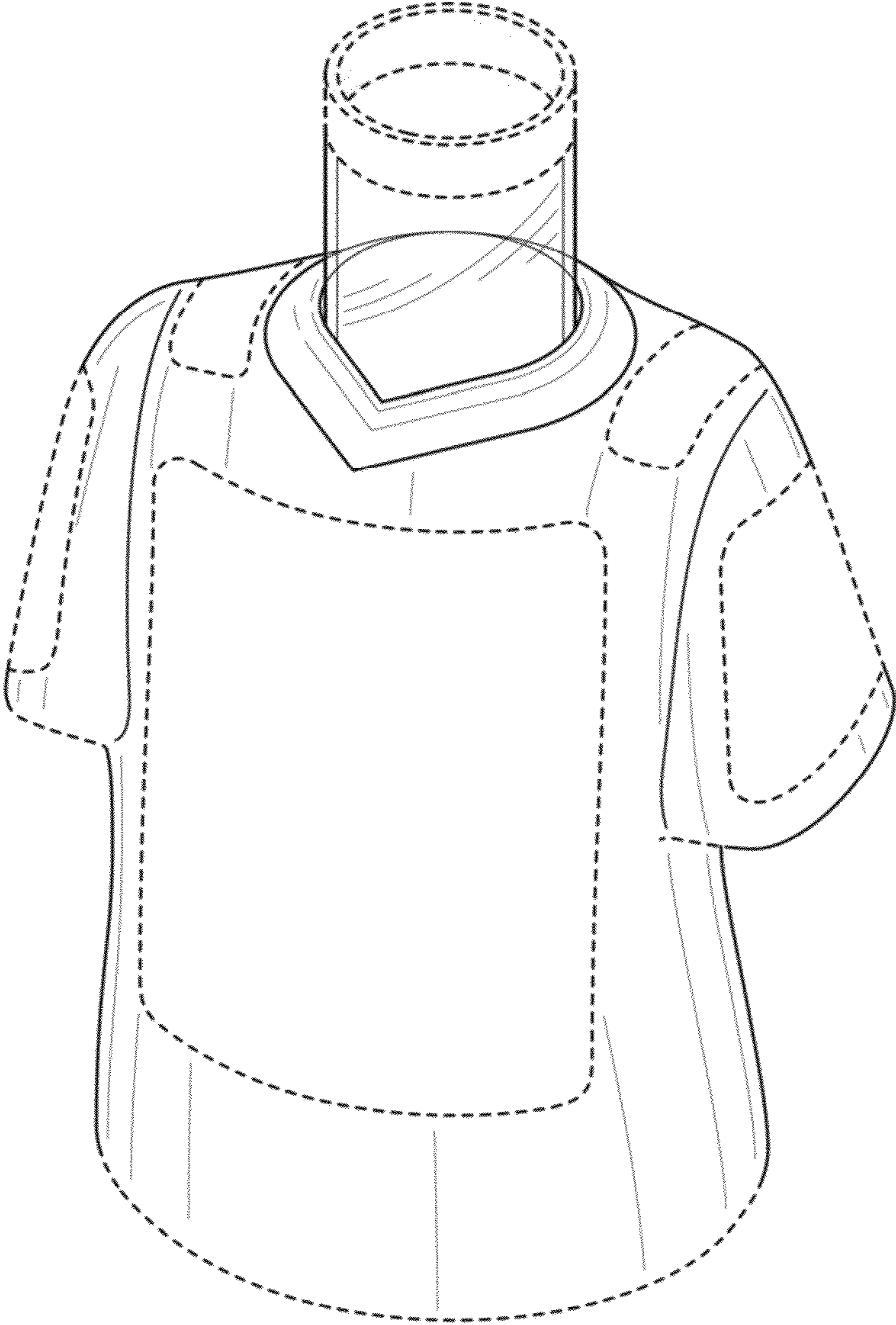


FIG. 1

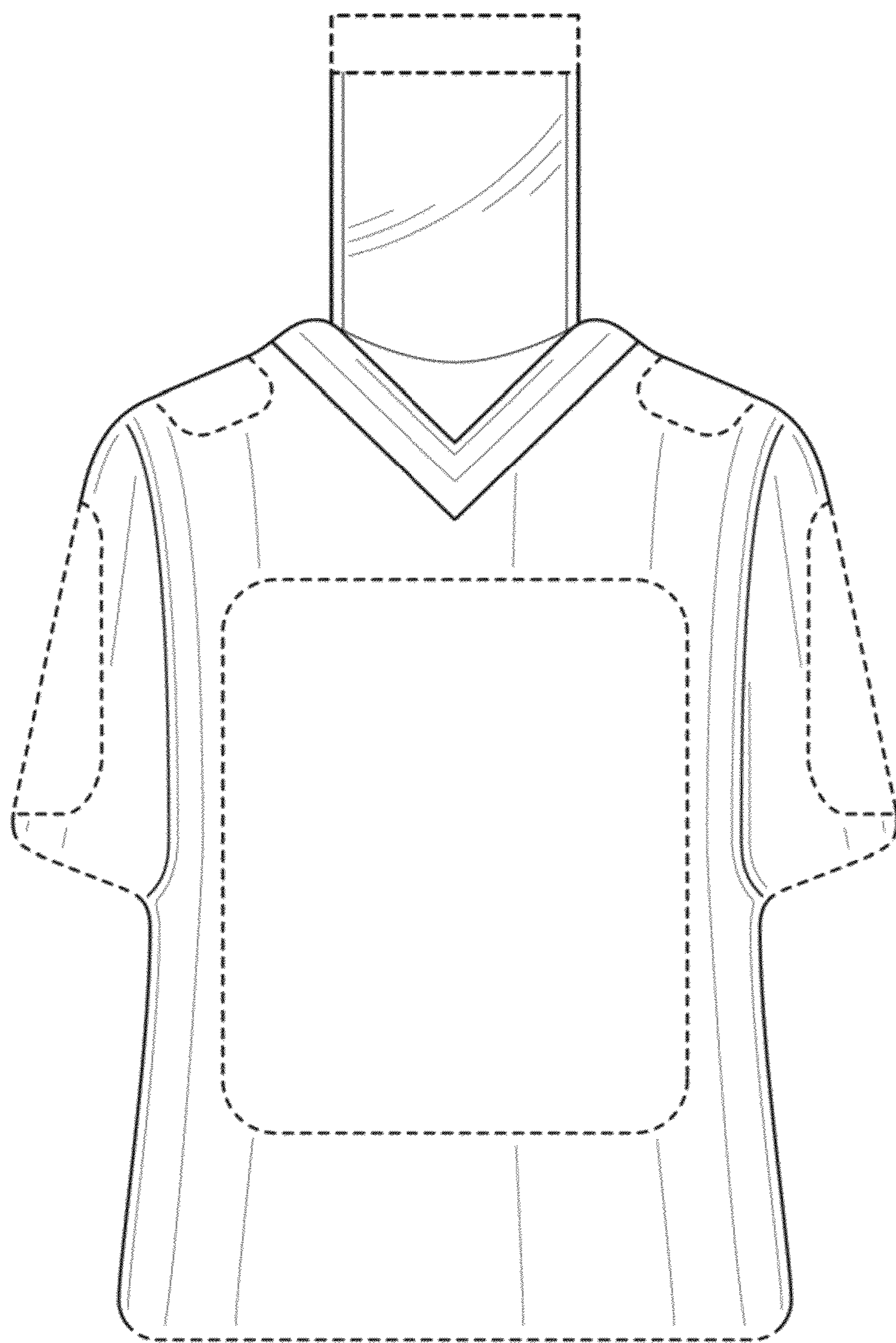


FIG. 2

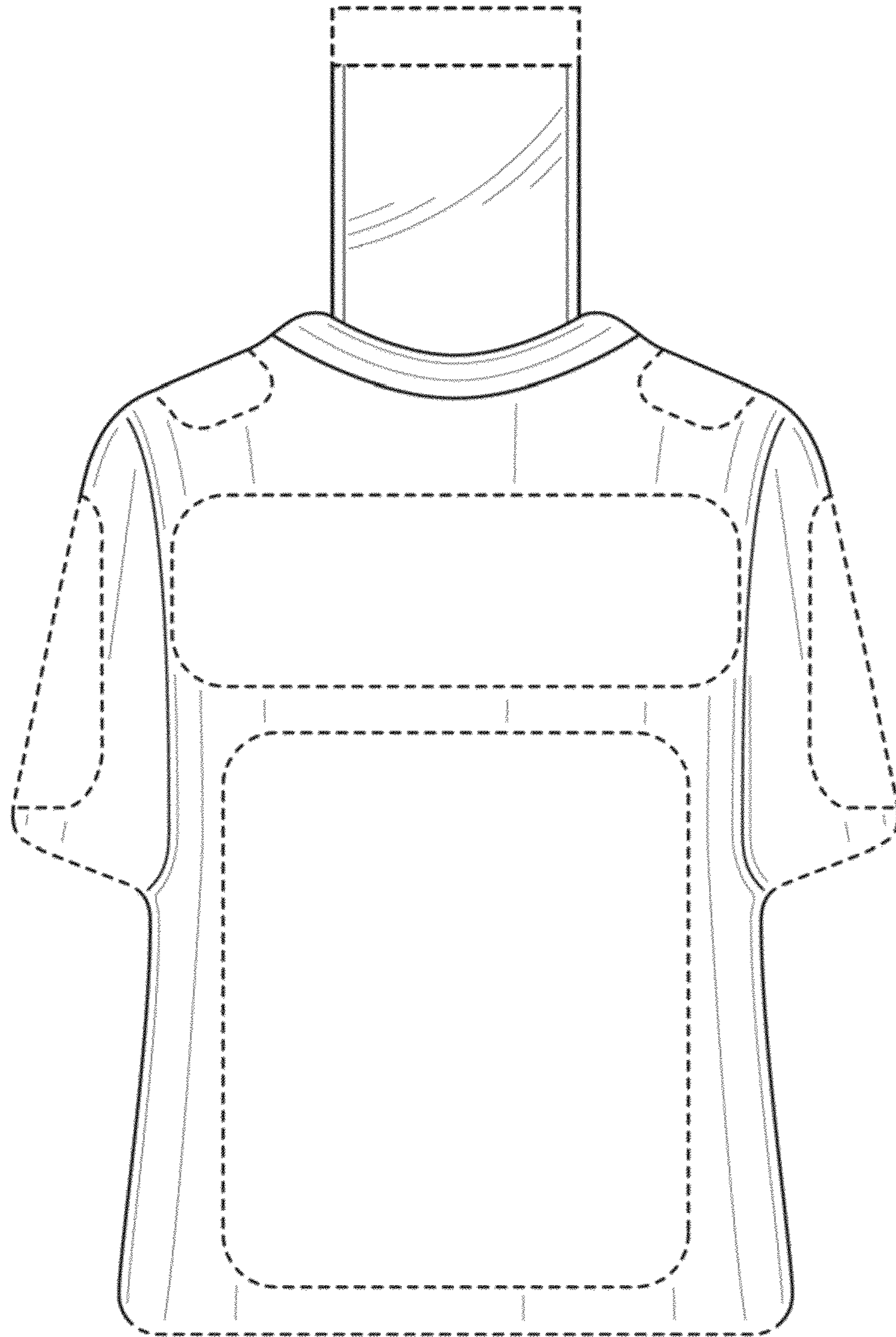


FIG. 3

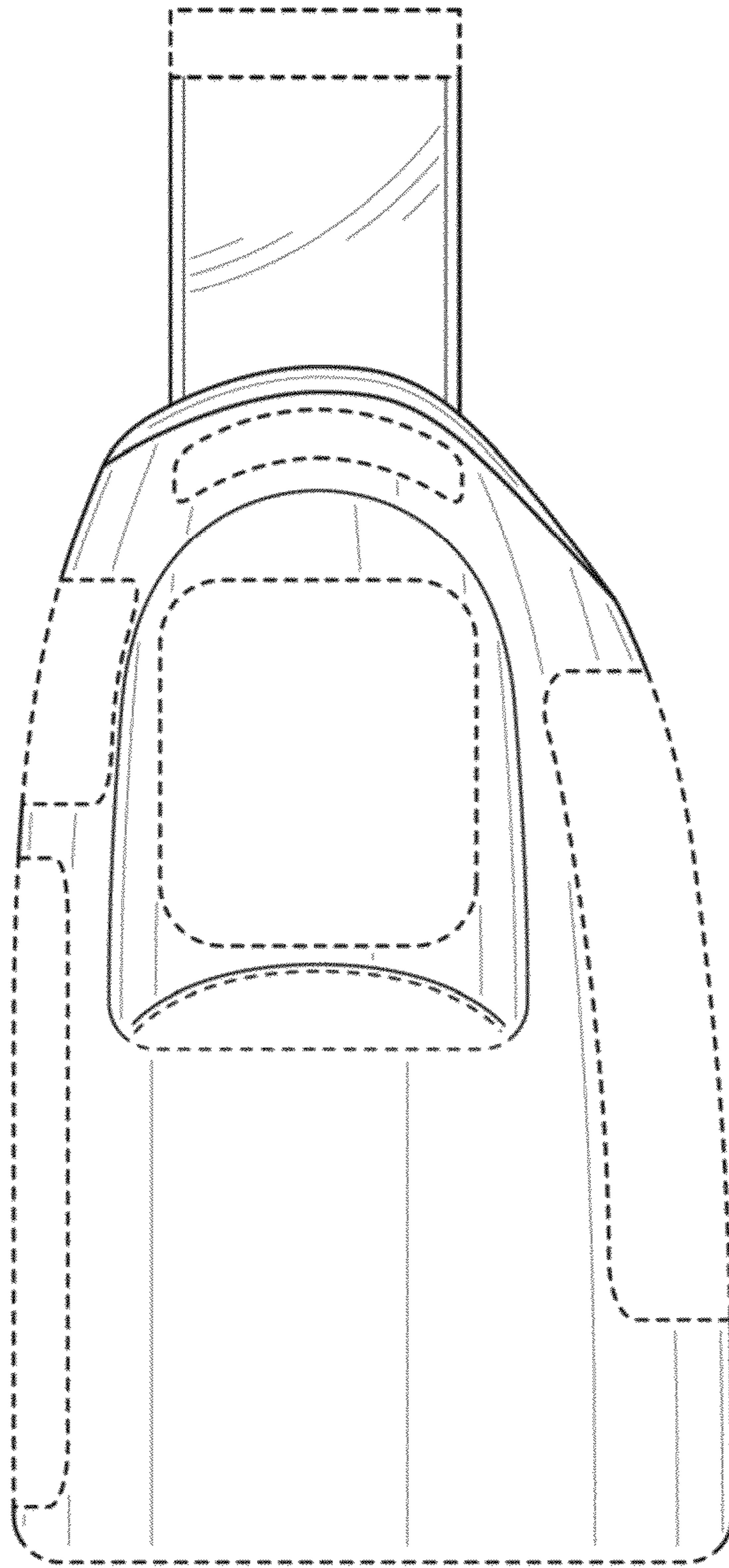


FIG. 4

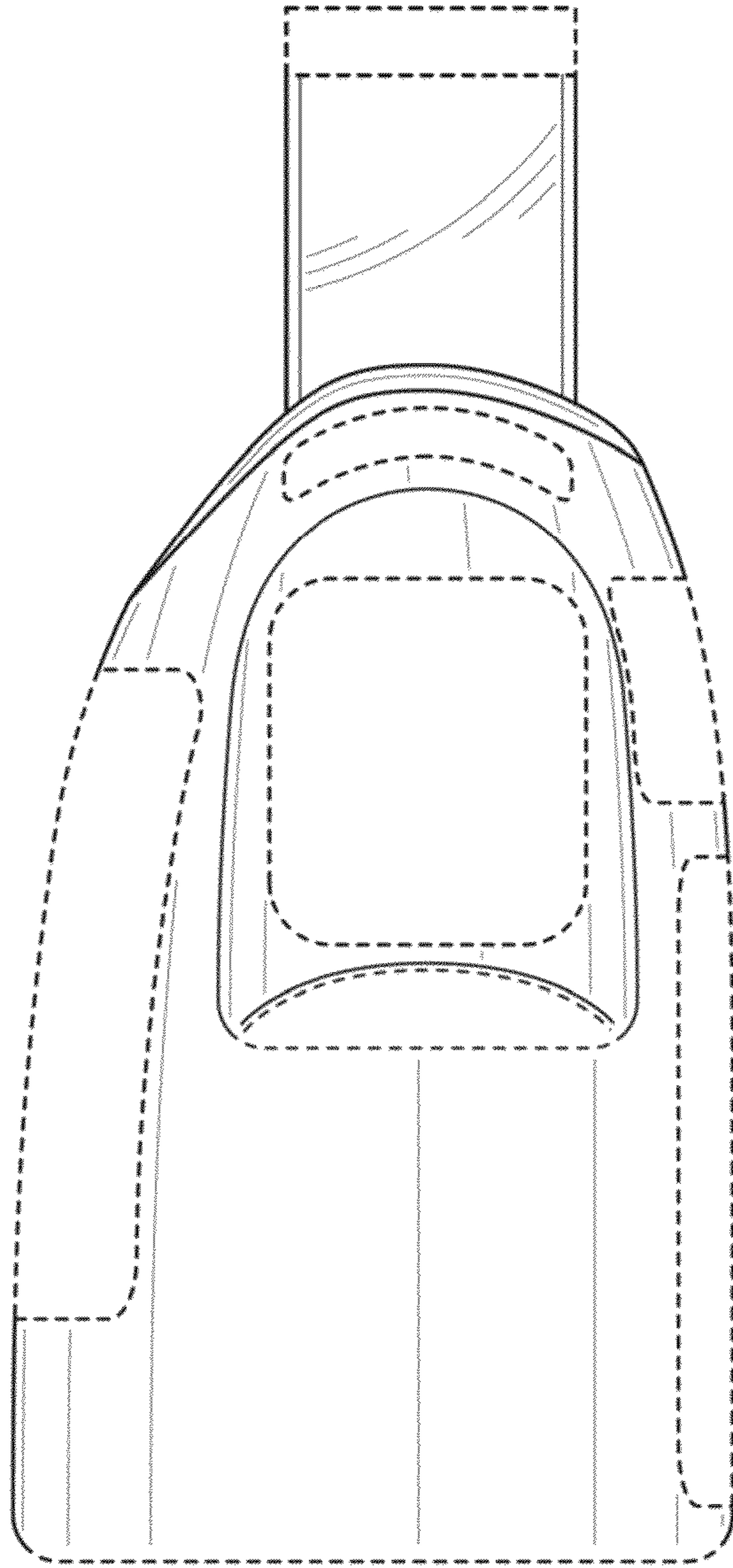


FIG. 5

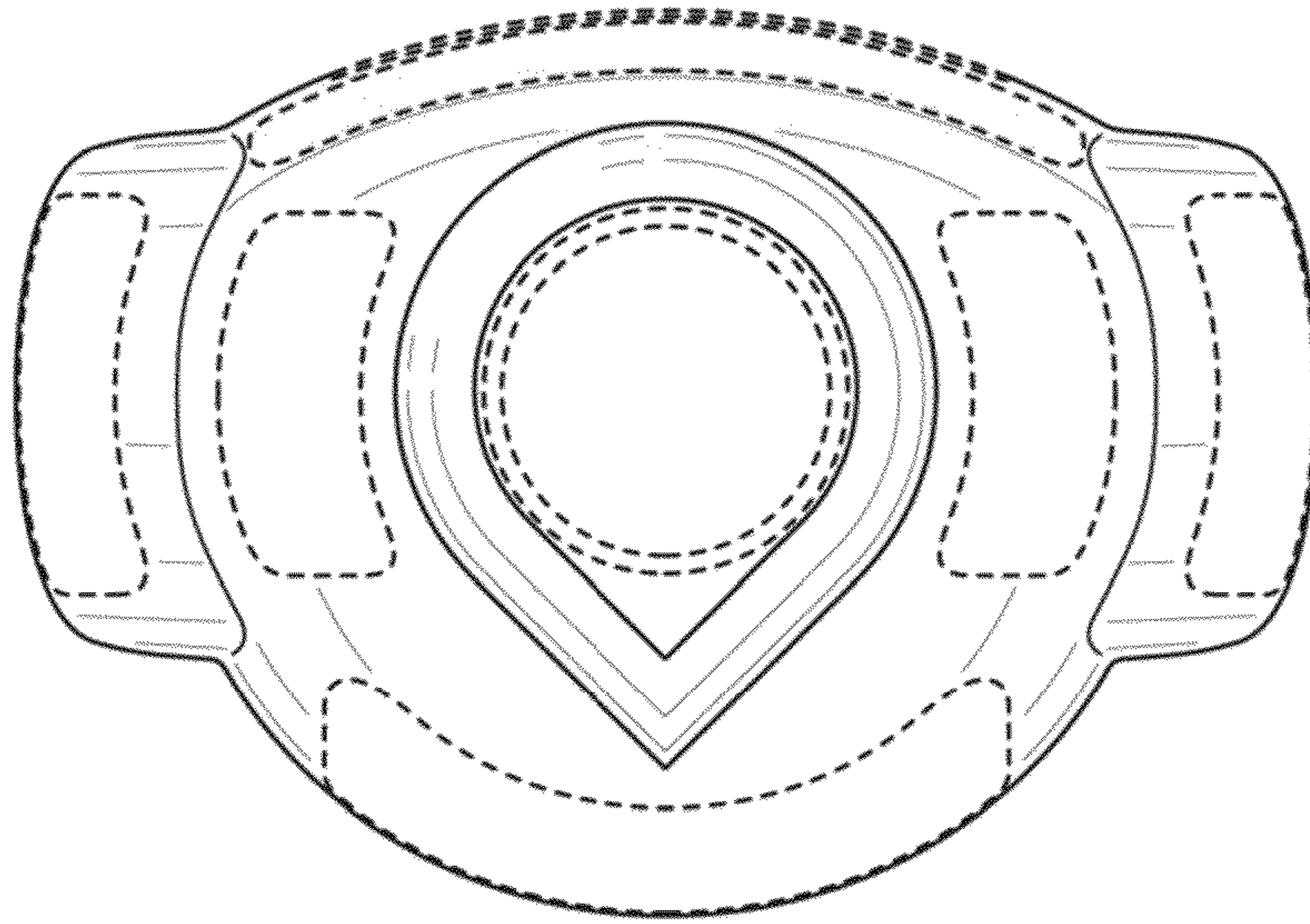


FIG. 6

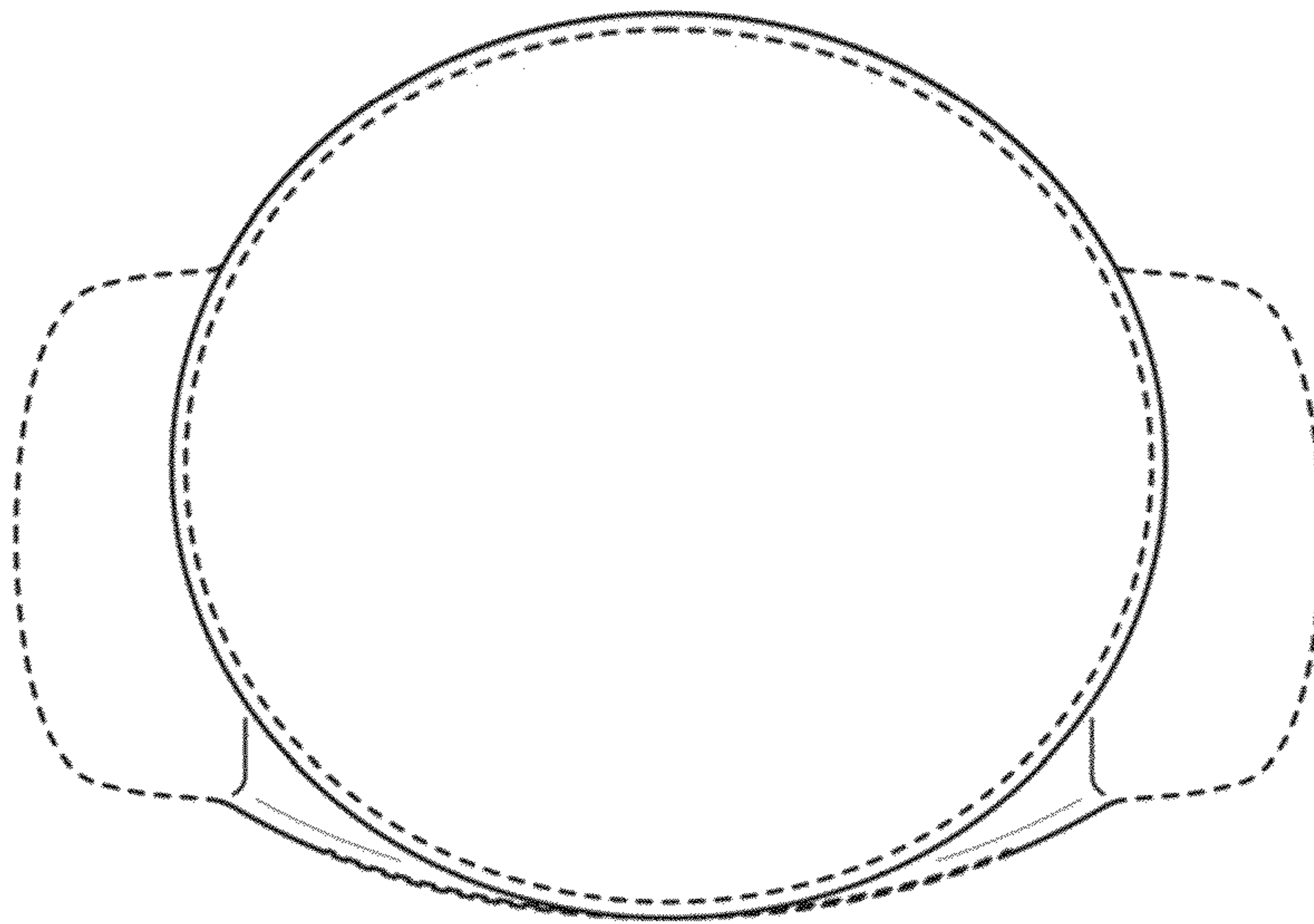


FIG. 7