



US00D708008S

(12) **United States Design Patent**  
**Lazzer**

(10) **Patent No.:** **US D708,008 S**  
(45) **Date of Patent:** **\*\* Jul. 1, 2014**

(54) **FOOD PROCESSOR**

(71) Applicant: **Magimix SAS**, Vincennes (FR)  
(72) Inventor: **Jean-Pierre Lazzer**, Montchanin (FR)  
(73) Assignee: **Magimix SAS**, Vincennes (FR)  
(\*\*) Term: **14 Years**  
(21) Appl. No.: **29/464,977**

(22) Filed: **Aug. 22, 2013**

(30) **Foreign Application Priority Data**

Feb. 26, 2013 (EM) ..... 002191700-0002

(51) **LOC (10) Cl.** ..... **31-00**

(52) **U.S. Cl.**  
USPC ..... **D7/384; D7/376; D7/378**

(58) **Field of Classification Search**  
USPC ..... D7/301-313, 316-326, 354-357, 368,  
D7/372-386, 391-398, 402, 412-415, 503,  
D7/515, 543, 584-587, 607, 665-666, 679,  
D7/691-693; 99/280, 326, 348, 486, 492,  
99/508-512, 538; 241/30-37.5, 73, 82.1,  
241/92-93, 98, 101.01-101.2, 166-169.1,  
241/172, 261.1, 272, 282.2, 285.1-285.3,  
241/291, 292.1, 301; 366/64-67, 98, 129,  
366/142-144, 169.1, 192-211, 241-254,  
366/262, 279-292, 314, 325.8, 325.92,  
366/341-347; 416/75-77, 70 R, 163  
See application file for complete search history.

(56) **References Cited**

U.S. PATENT DOCUMENTS

D466,363 S *	12/2002	Dalton et al. ....	D7/384
D484,357 S *	12/2003	Seum et al. ....	D7/378
D488,344 S *	4/2004	Seum et al. ....	D7/384
D560,093 S *	1/2008	Verdun ....	D7/384
D580,216 S *	11/2008	Ryan ....	D7/384
D595,084 S *	6/2009	Metaxatos et al. ....	D7/386
D625,142 S *	10/2010	Moore ....	D7/384
D625,144 S *	10/2010	Moore et al. ....	D7/384

\* cited by examiner

*Primary Examiner* — Ricky Pham

(74) *Attorney, Agent, or Firm* — RatnerPrestia

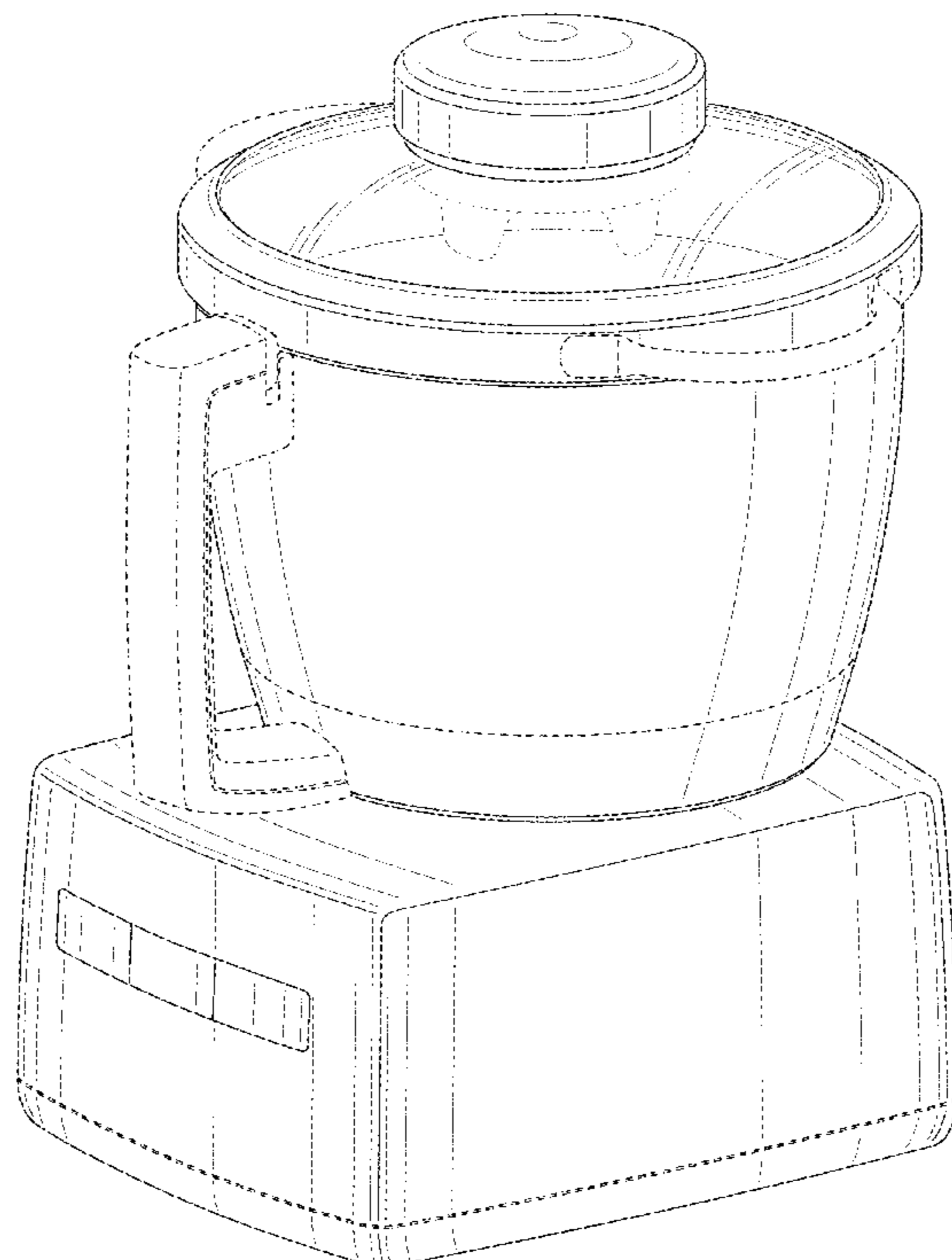
(57) **CLAIM**

The ornamental design for a food processor, as shown and described.

**DESCRIPTION**

FIG. 1 is a front perspective view of a food processor;  
FIG. 2 is a front elevation view thereof;  
FIG. 3 is a rear elevation view thereof;  
FIG. 4 is an elevation view from the right side thereof;  
FIG. 5 is an elevation view from the left side thereof;  
FIG. 6 is a top plan view thereof; and,  
FIG. 7 is a bottom plan view thereof.  
The broken lines are for illustration purposes only and form no part of the claimed design.

**1 Claim, 7 Drawing Sheets**



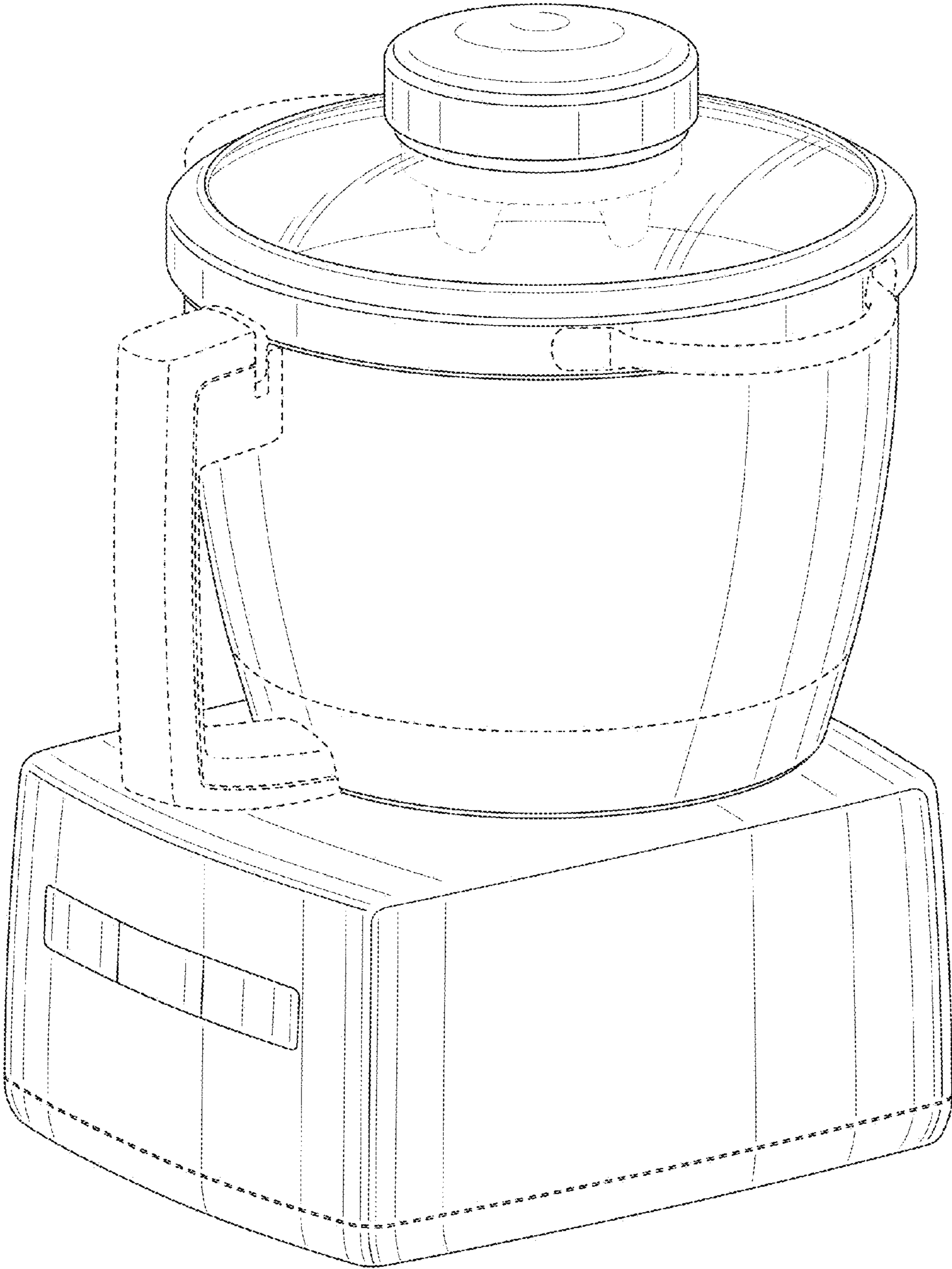


FIG. 1

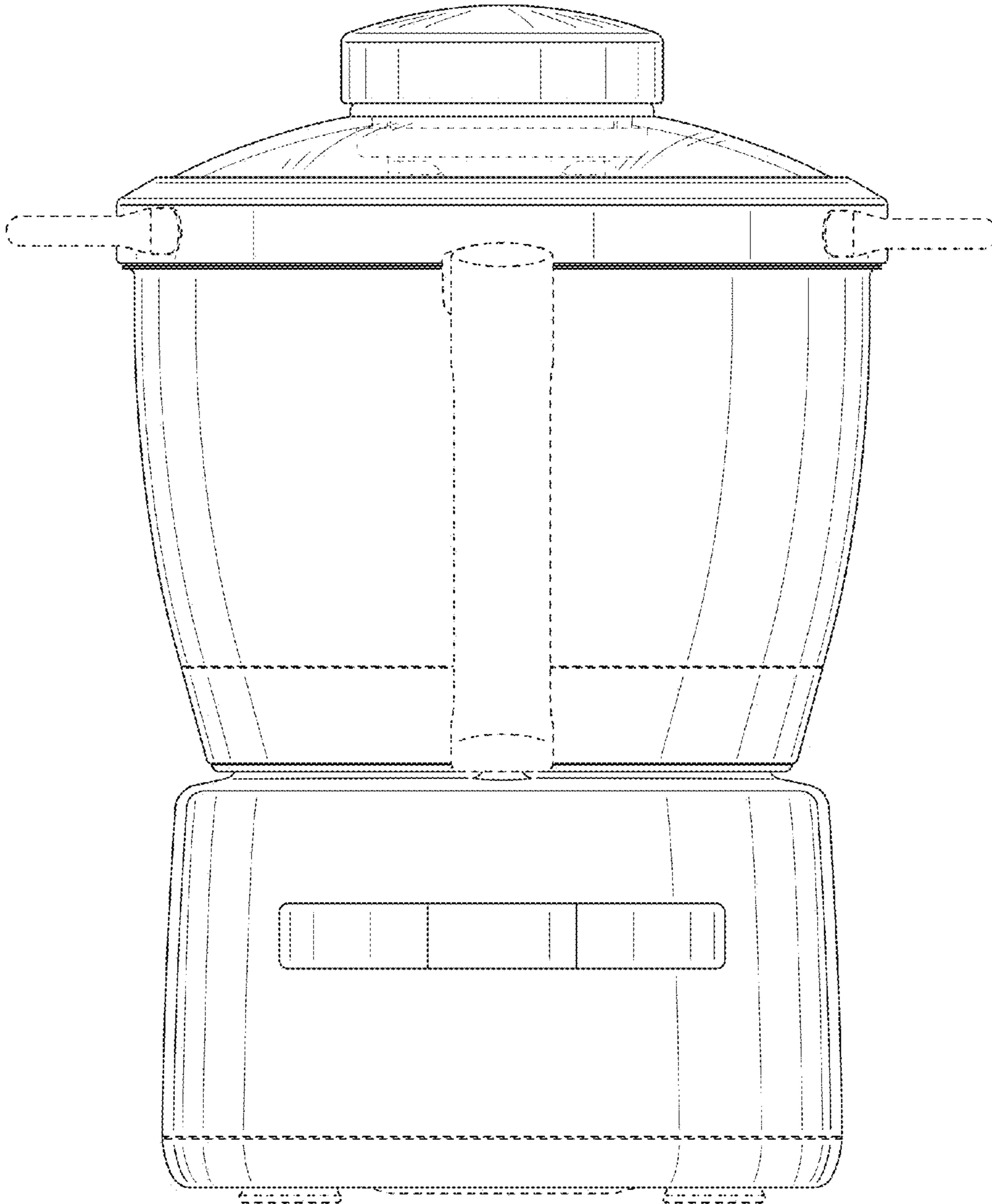


FIG. 2

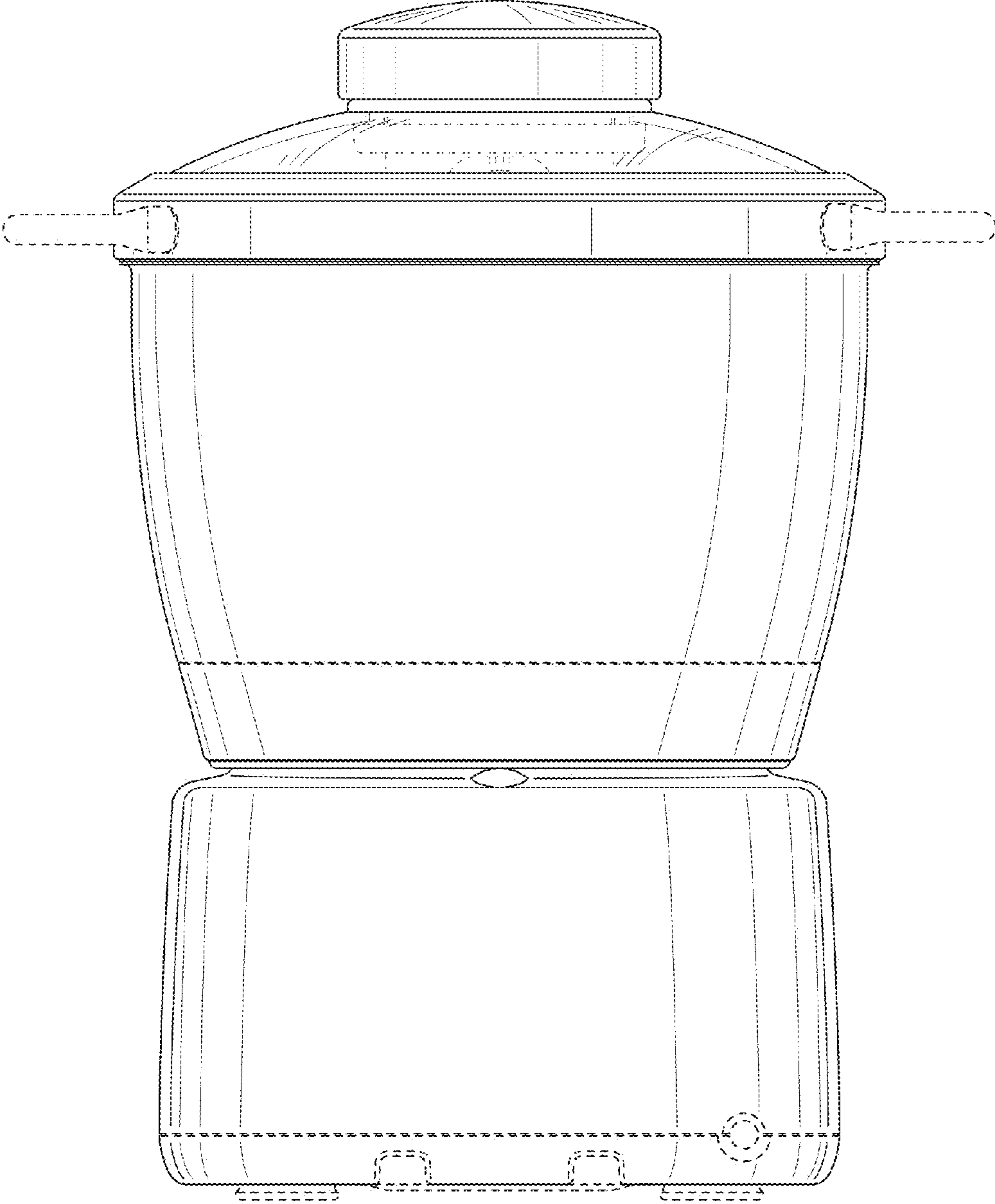


FIG. 3

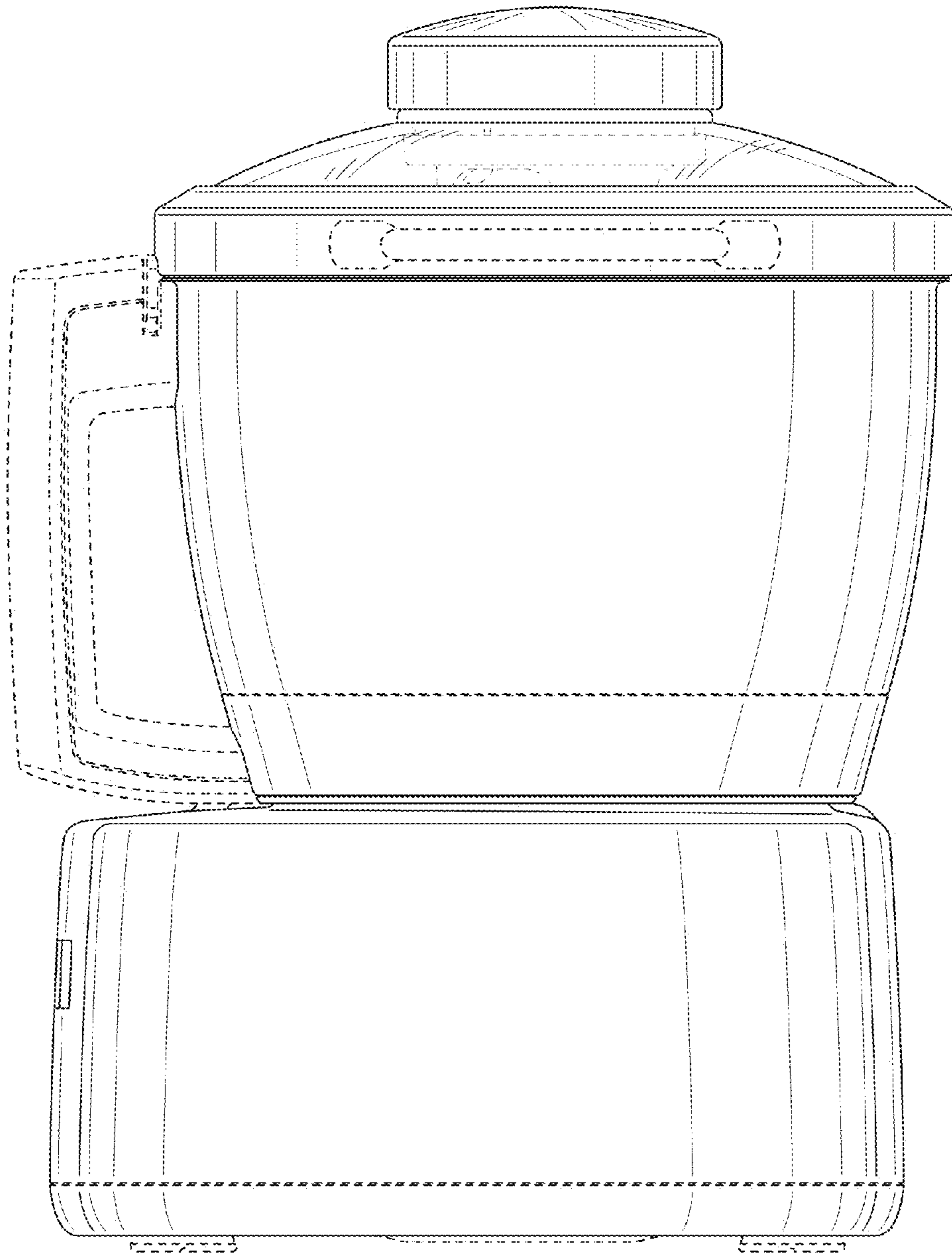


FIG. 4

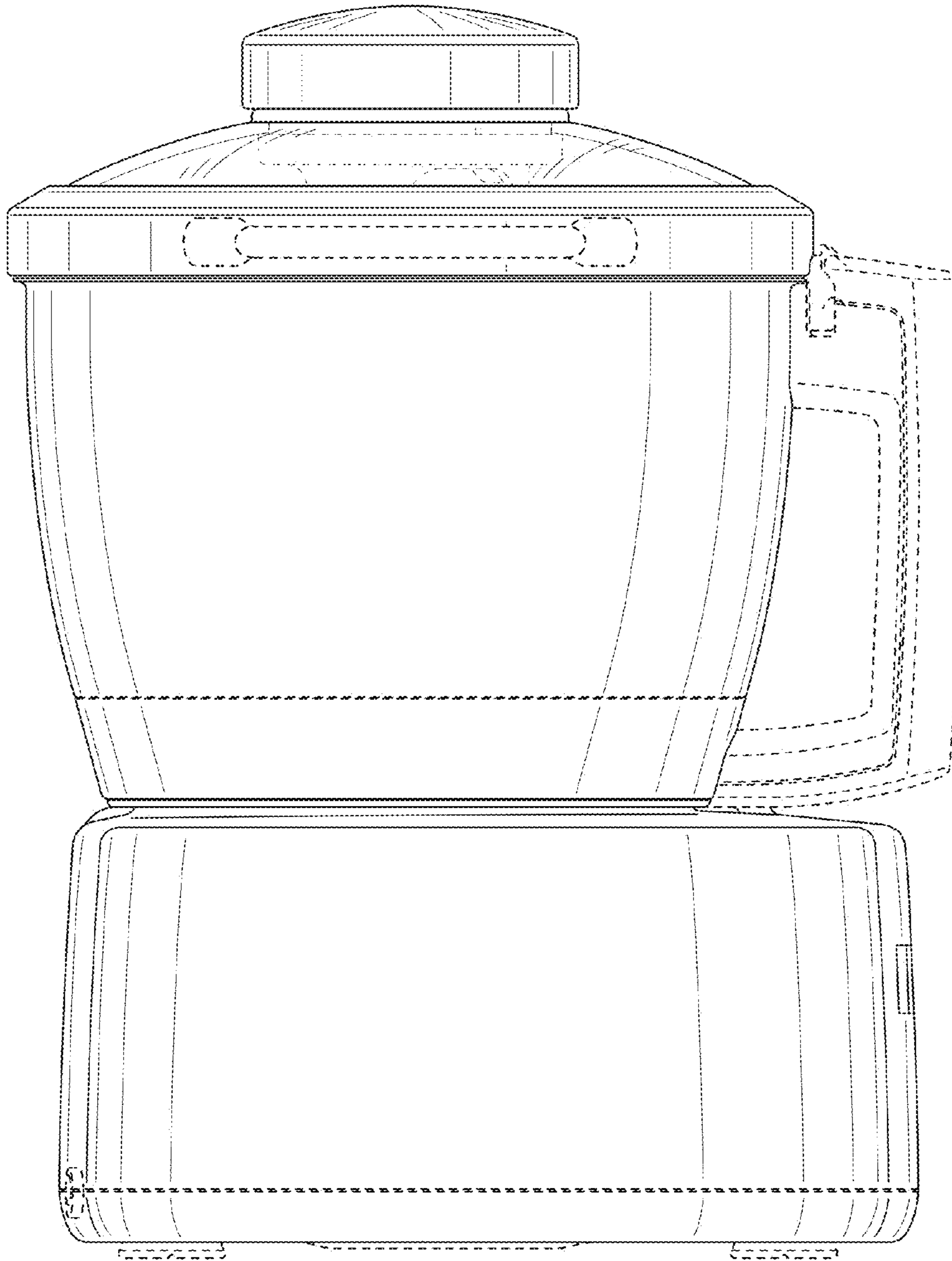


FIG. 5

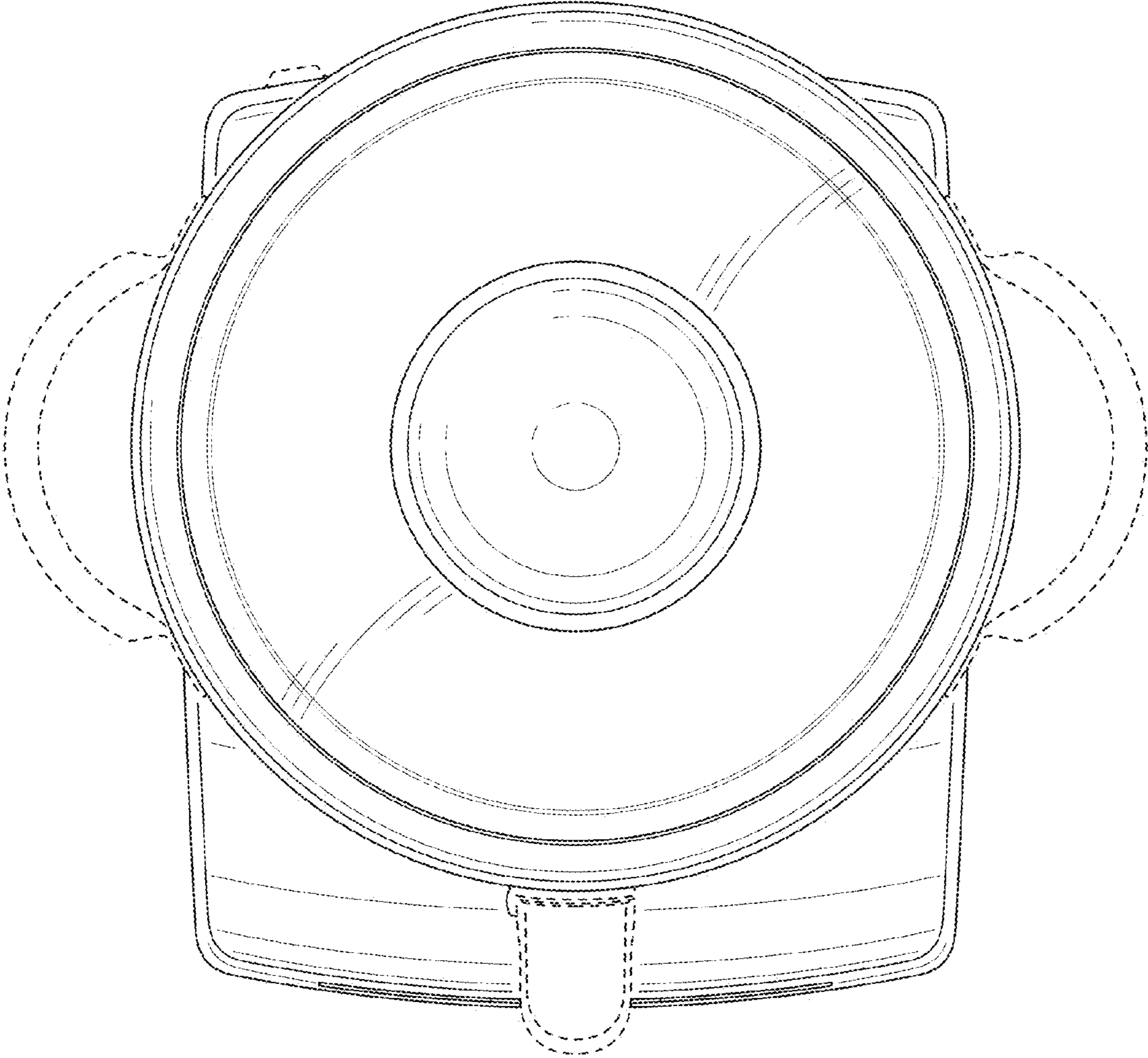


FIG. 6

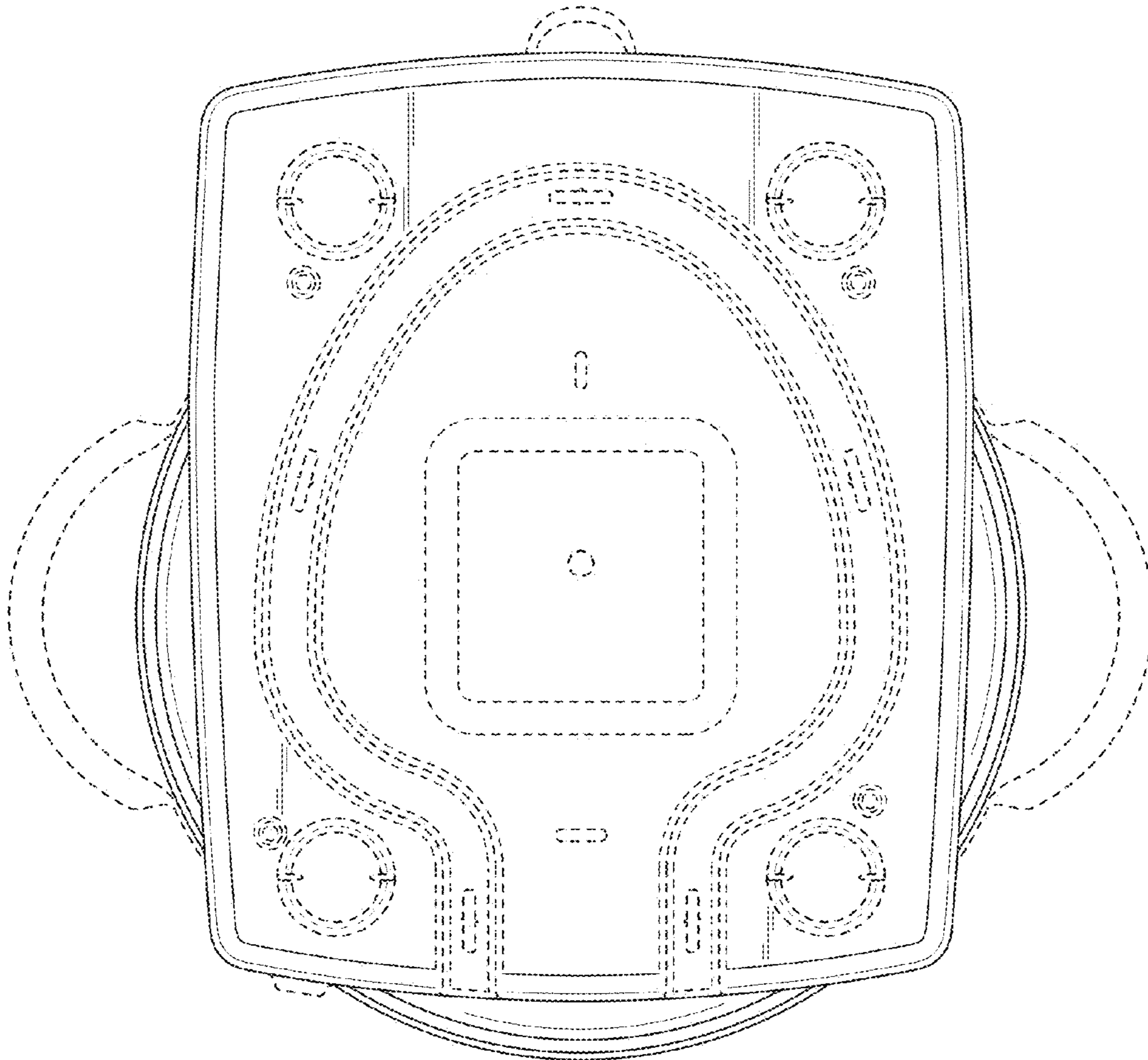


FIG. 7