



US00D708005S

(12) **United States Design Patent**
Kurt

(10) **Patent No.:** **US D708,005 S**
(45) **Date of Patent:** **** Jul. 1, 2014**

- (54) **TOASTER OVEN**
- (71) Applicant: **Wong Chi Ho Kurt**, Hong Kong (CN)
- (72) Inventor: **Wong Chi Ho Kurt**, Hong Kong (CN)
- (73) Assignee: **Conair Corporation**, Stamford, CT (US)
- (**) Term: **14 Years**
- (21) Appl. No.: **29/462,605**
- (22) Filed: **Aug. 6, 2013**
- (51) **LOC (10) Cl.** **07-02**
- (52) **U.S. Cl.**
USPC **D7/350.4**
- (58) **Field of Classification Search**
USPC D7/350.1, 350.3, 350.4, 351, 402, 405,
D7/406; 219/756-758; 126/19 M, 21 A,
126/275 E
See application file for complete search history.

- D625,557 S * 10/2010 Pino et al. D7/405
- D638,249 S * 5/2011 Ryan et al. D7/350.1
- D639,104 S * 6/2011 Duncan et al. D7/350.1
- D655,129 S * 3/2012 Gresko D7/350.1
- D655,970 S * 3/2012 De' Longhi D7/351
- D658,439 S * 5/2012 Curtis et al. D7/405
- D663,156 S * 7/2012 Curtis et al. D7/350.1
- D670,529 S * 11/2012 Hensel D7/350.1
- D673,000 S * 12/2012 De' Longhi D7/350.1
- D678,711 S * 3/2013 Reiner D7/350.1

* cited by examiner

Primary Examiner — Ruth McInroy

(74) *Attorney, Agent, or Firm* — McCormick, Paulding & Huber LLP

(57) **CLAIM**

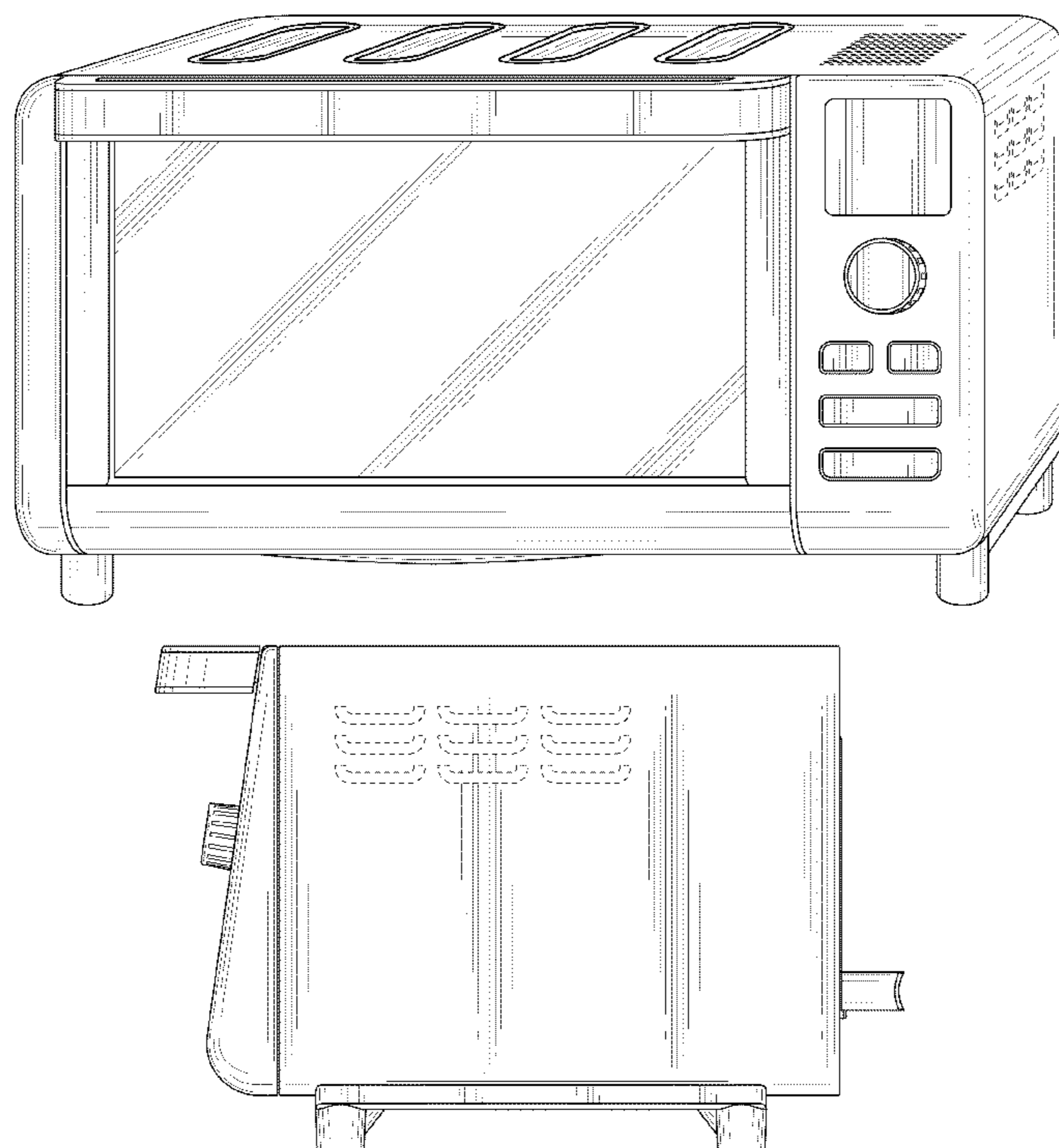
The ornamental design for a toaster oven, as shown and described.

DESCRIPTION

FIG. 1 is a perspective view of a toaster oven showing a new design;
 FIG. 2 is a front elevational view thereof;
 FIG. 3 is a rear elevational view thereof;
 FIG. 4 is a left side elevational view thereof;
 FIG. 5 is a right side elevational view thereof;
 FIG. 6 is a top plan view thereof; and,
 FIG. 7 is a bottom plan view thereof.
 The broken lines are for illustrative purposes only and form no part of the claimed design.

1 Claim, 5 Drawing Sheets

- (56) **References Cited**
U.S. PATENT DOCUMENTS
- D380,643 S * 7/1997 Piret D7/350.4
- D386,938 S * 12/1997 Piret D7/350.4
- D415,926 S * 11/1999 De'Longhi D7/350.4
- D481,582 S * 11/2003 Seum et al. D7/350.1
- D575,979 S * 9/2008 Borin D7/350.1
- D587,959 S * 3/2009 Hensel D7/350.1
- D602,306 S * 10/2009 Lavy D7/350.1
- D606,360 S * 12/2009 Lee D7/351
- D606,797 S * 12/2009 Baek et al. D7/351



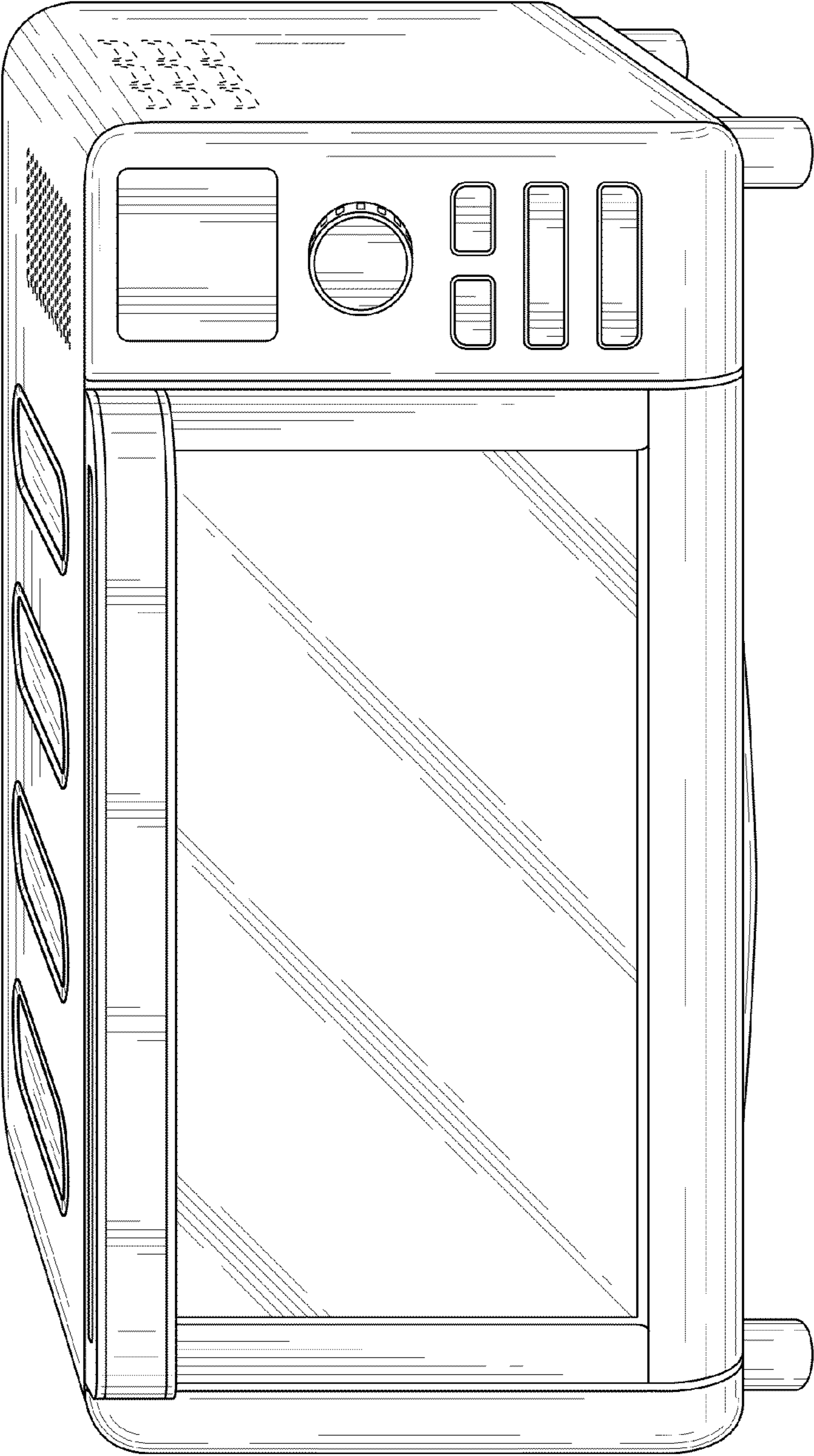


FIG. 1

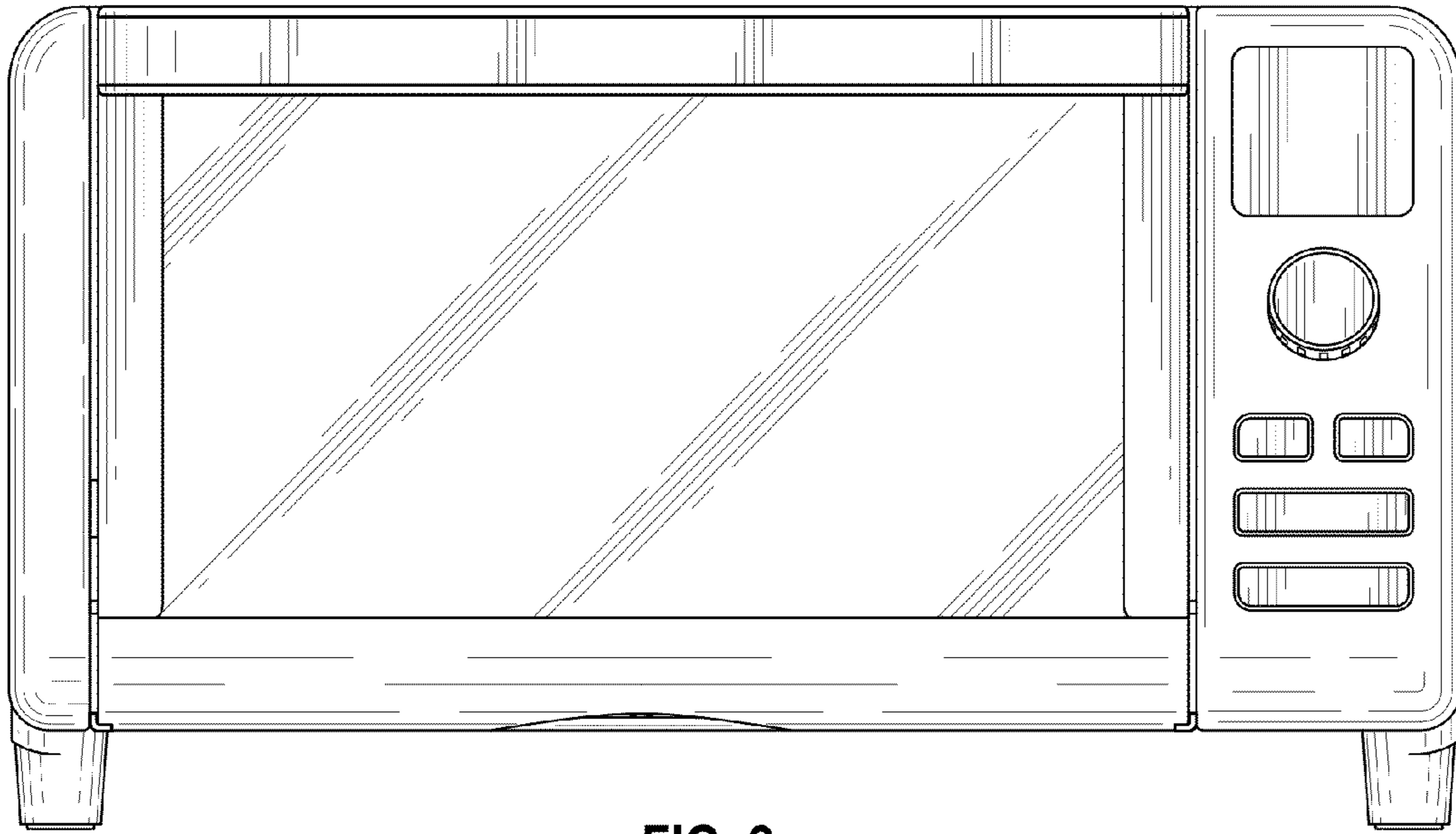


FIG. 2

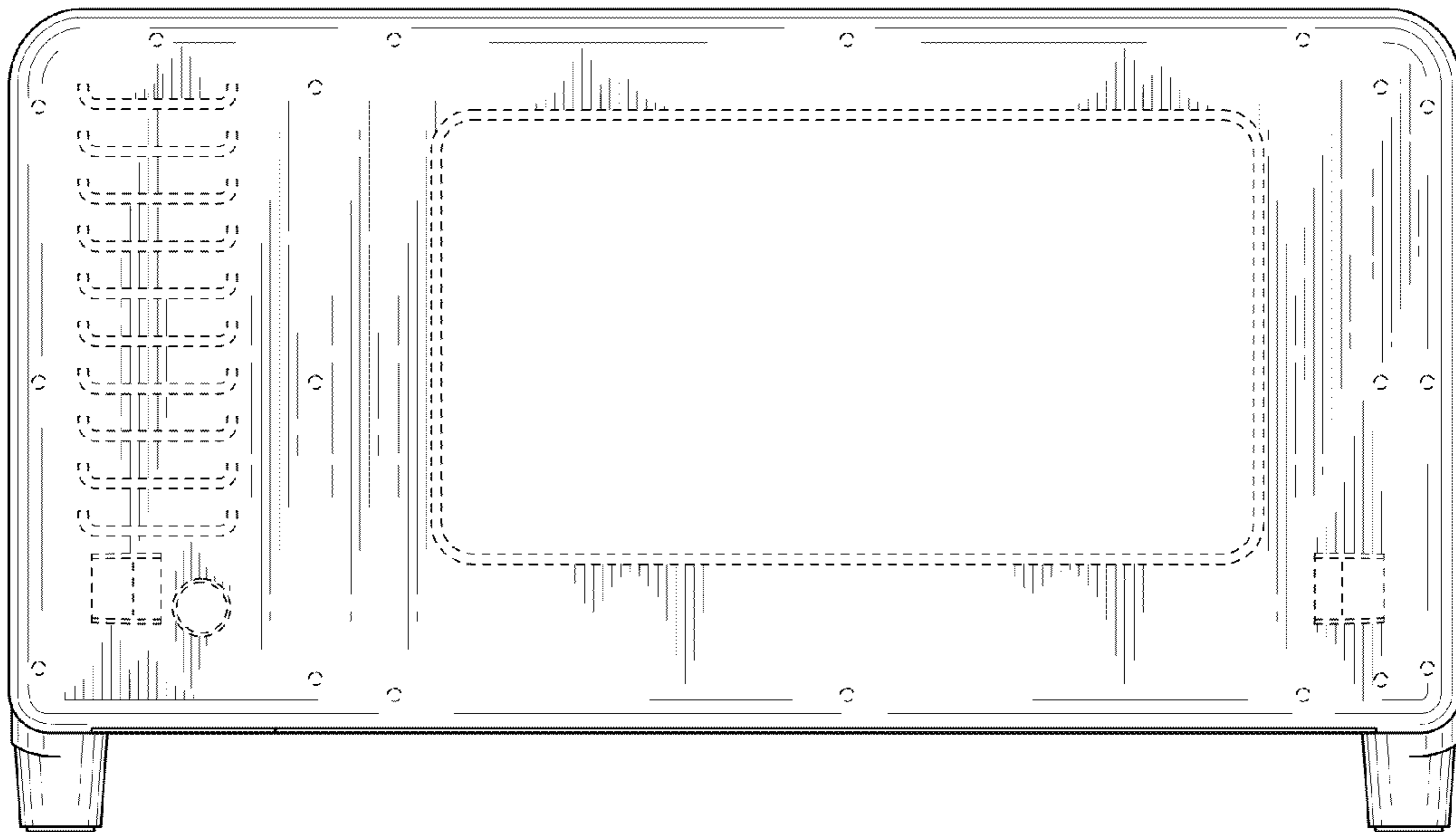


FIG. 3

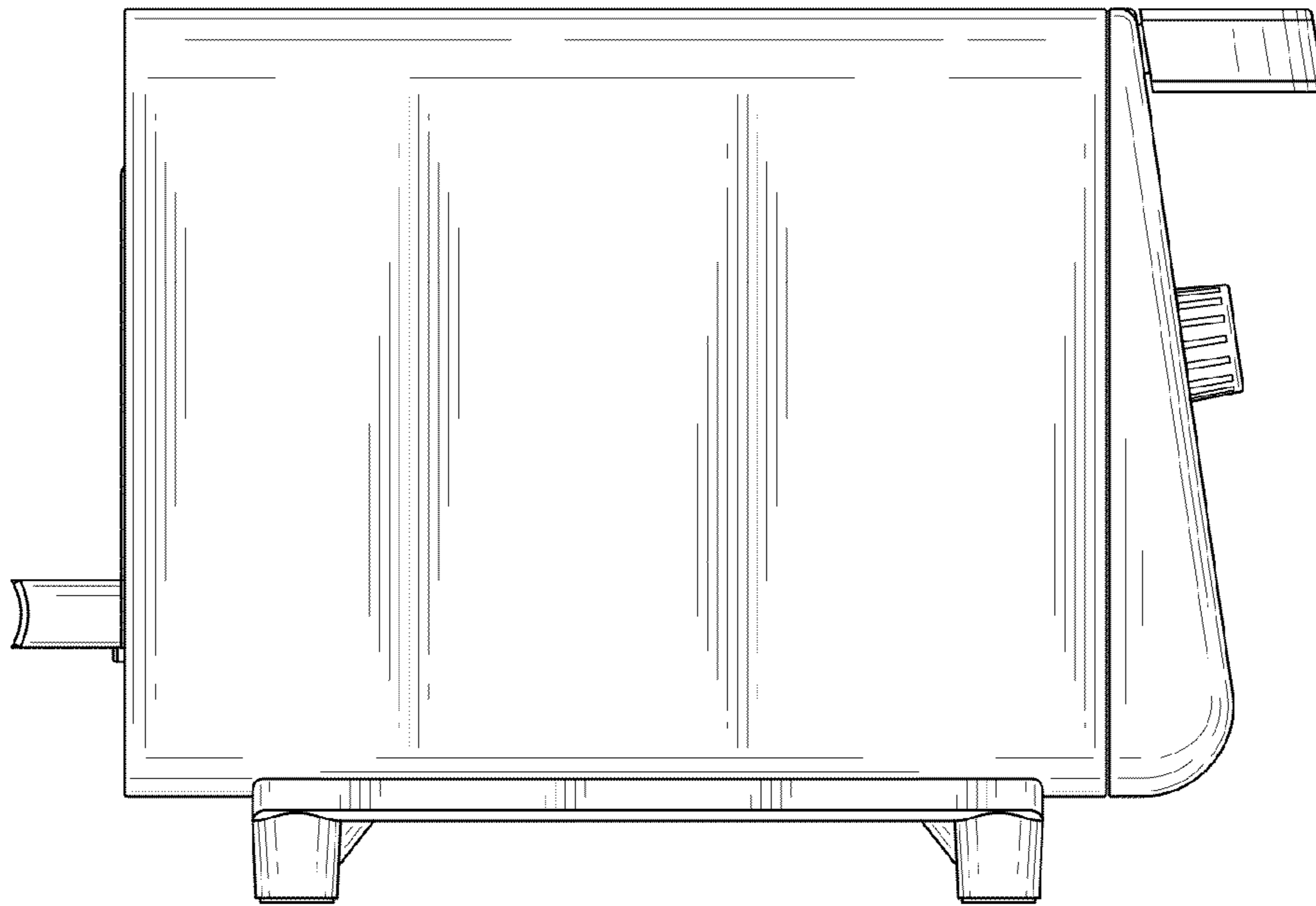


FIG. 4

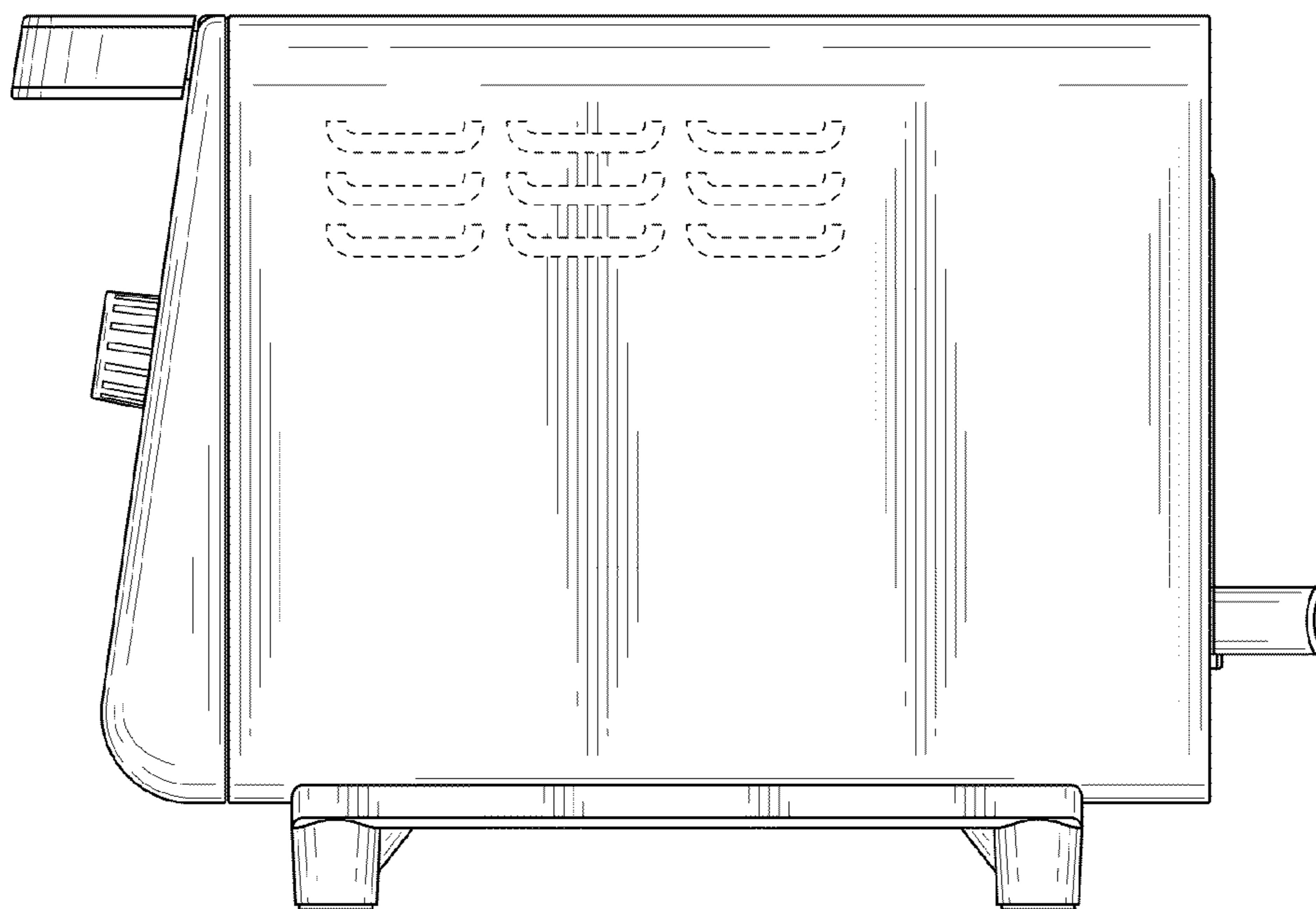


FIG. 5

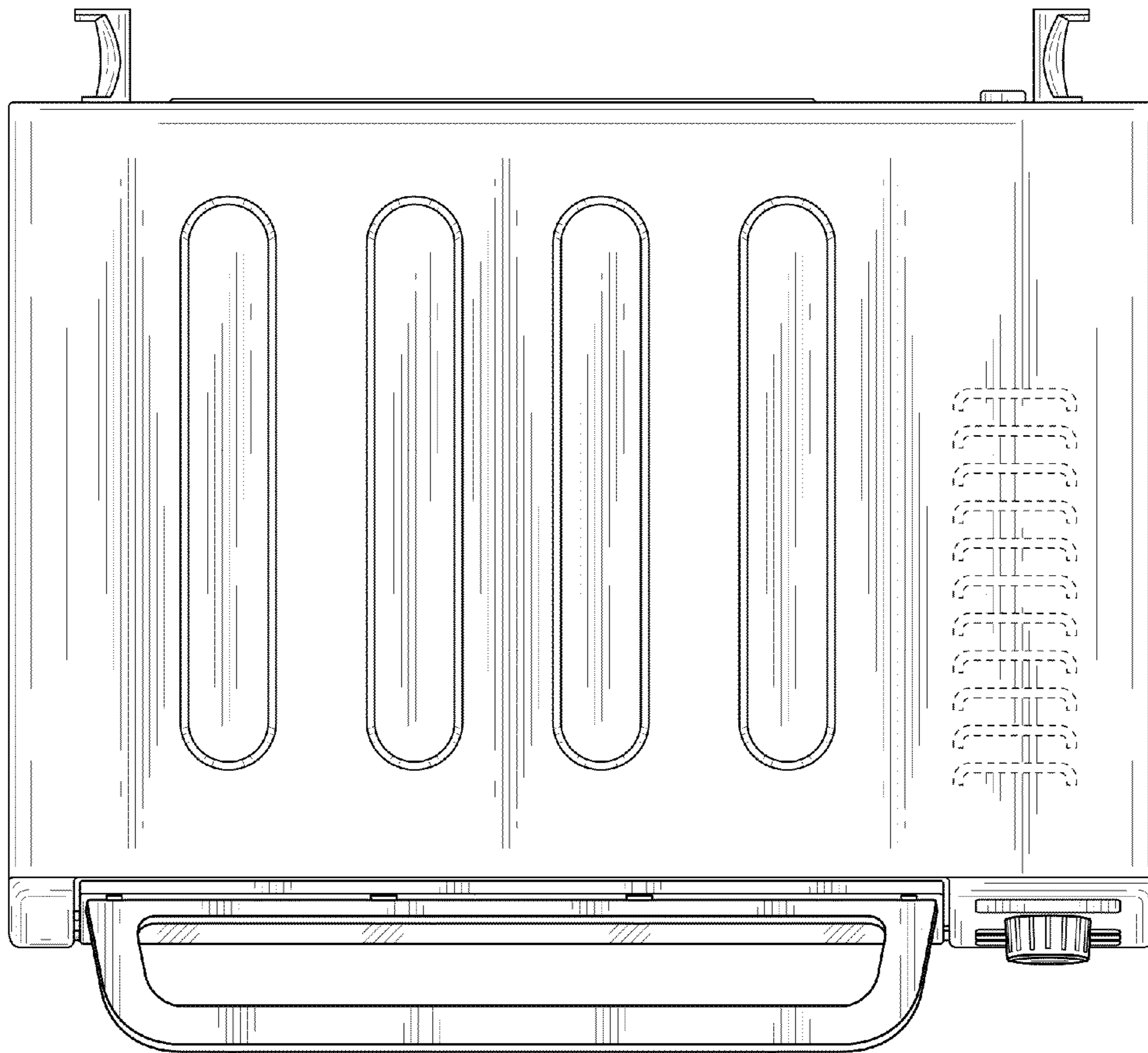


FIG. 6

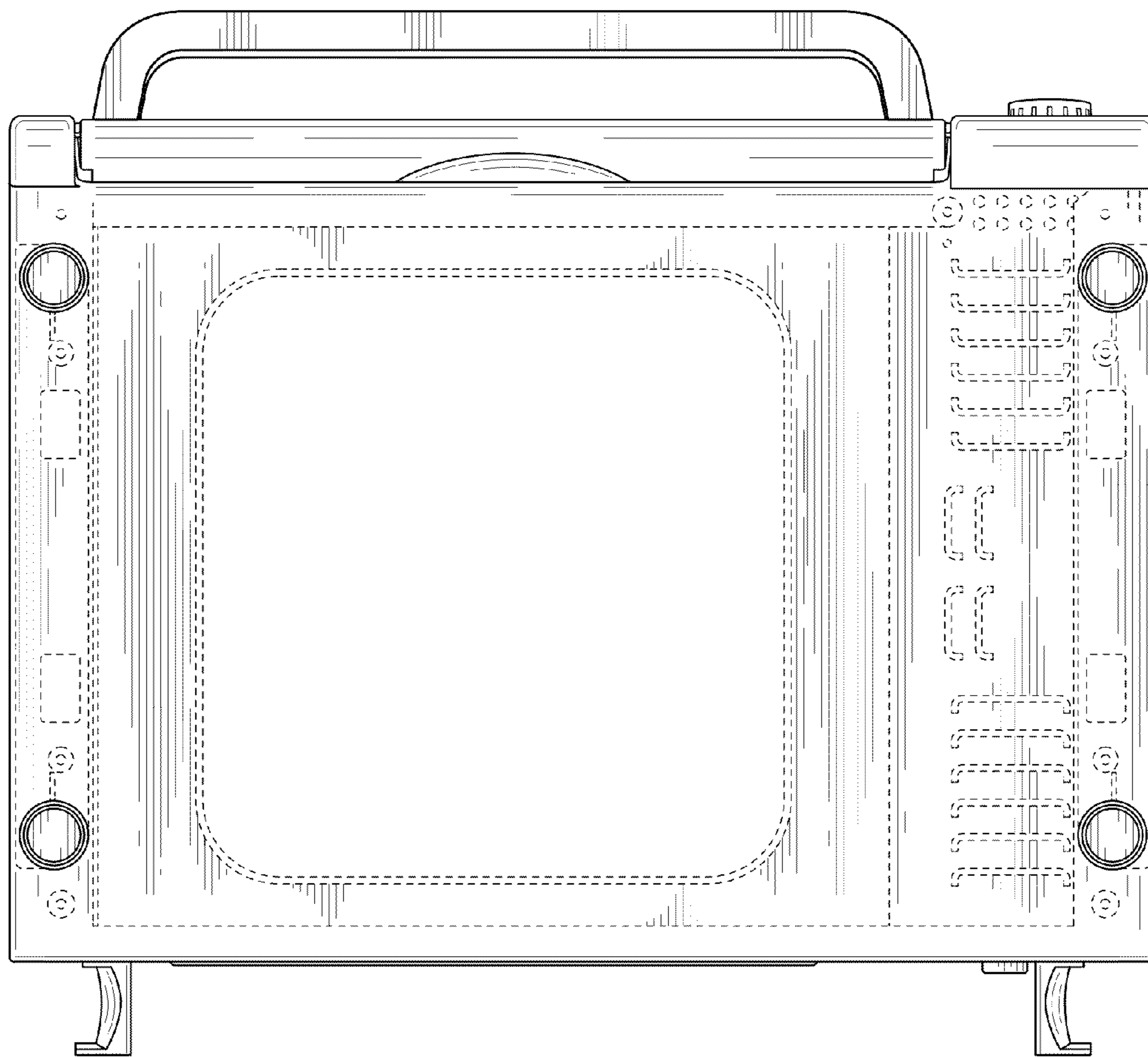


FIG. 7