



US00D708004S

(12) **United States Design Patent**
Sadtler

(10) **Patent No.:** **US D708,004 S**
(45) **Date of Patent:** **** Jul. 1, 2014**

- (54) **INDUCTION COOKTOP**
- (71) Applicant: **BSH Home Appliances Corporation**,
Irvine, CA (US)
- (72) Inventor: **Graham Sadtler**, Huntington Beach, CA
(US)
- (73) Assignee: **BSH Home Appliance Corporation**,
Irvine, CA (US)
- (**) Term: **14 Years**
- (21) Appl. No.: **29/479,109**
- (22) Filed: **Jan. 13, 2014**

Related U.S. Application Data

- (62) Division of application No. 29/461,977, filed on Jul. 30, 2013, which is a division of application No. 29/408,450, filed on Dec. 13, 2011, now Pat. No. Des. 690,151.
- (51) **LOC (10) Cl.** **07-02**
- (52) **U.S. Cl.**
USPC **D7/346**
- (58) **Field of Classification Search**
USPC D7/323, 336, 337, 338, 339, 340, 346,
D7/347, 348, 387, 402-409; 126/39 A,
126/39 B, 39 J, 211, 214 A, 214 C, 215-218,
126/152 R; 219/460.1-464.1, 452.12, 480,
219/483, 621, 622, 624, 627; 99/339, 340,
99/342; 307/104; 432/176
See application file for complete search history.

(56) **References Cited**

U.S. PATENT DOCUMENTS

- D230,390 S * 2/1974 Tyka et al. D7/346
- 4,264,805 A * 4/1981 Traut 219/452.12

- 4,308,443 A * 12/1981 Tucker et al. 219/627
- 5,369,249 A * 11/1994 Kwon 219/624
- 5,717,189 A * 2/1998 Goetz et al. 219/483
- 6,288,374 B1 * 9/2001 Eskildsen et al. 219/621
- D462,866 S * 9/2002 Resuello et al. D7/346
- D469,304 S * 1/2003 Becker et al. D7/407
- D557,549 S * 12/2007 Grey et al. D7/346
- D563,715 S * 3/2008 Grey et al. D7/346
- D568,672 S * 5/2008 Craig et al. D7/346
- D568,673 S * 5/2008 Tanaka D7/346
- 7,554,060 B2 * 6/2009 England et al. 219/480
- D606,358 S * 12/2009 Busalt et al. D7/346
- 2010/0237064 A1 * 9/2010 Liu et al. 219/622

* cited by examiner

Primary Examiner — Caron D Veynar
Assistant Examiner — Martie K Holtje

(74) *Attorney, Agent, or Firm* — James E. Howard; Andre Pallapies

(57) **CLAIM**

The ornamental design for an induction cooktop, as shown and described.

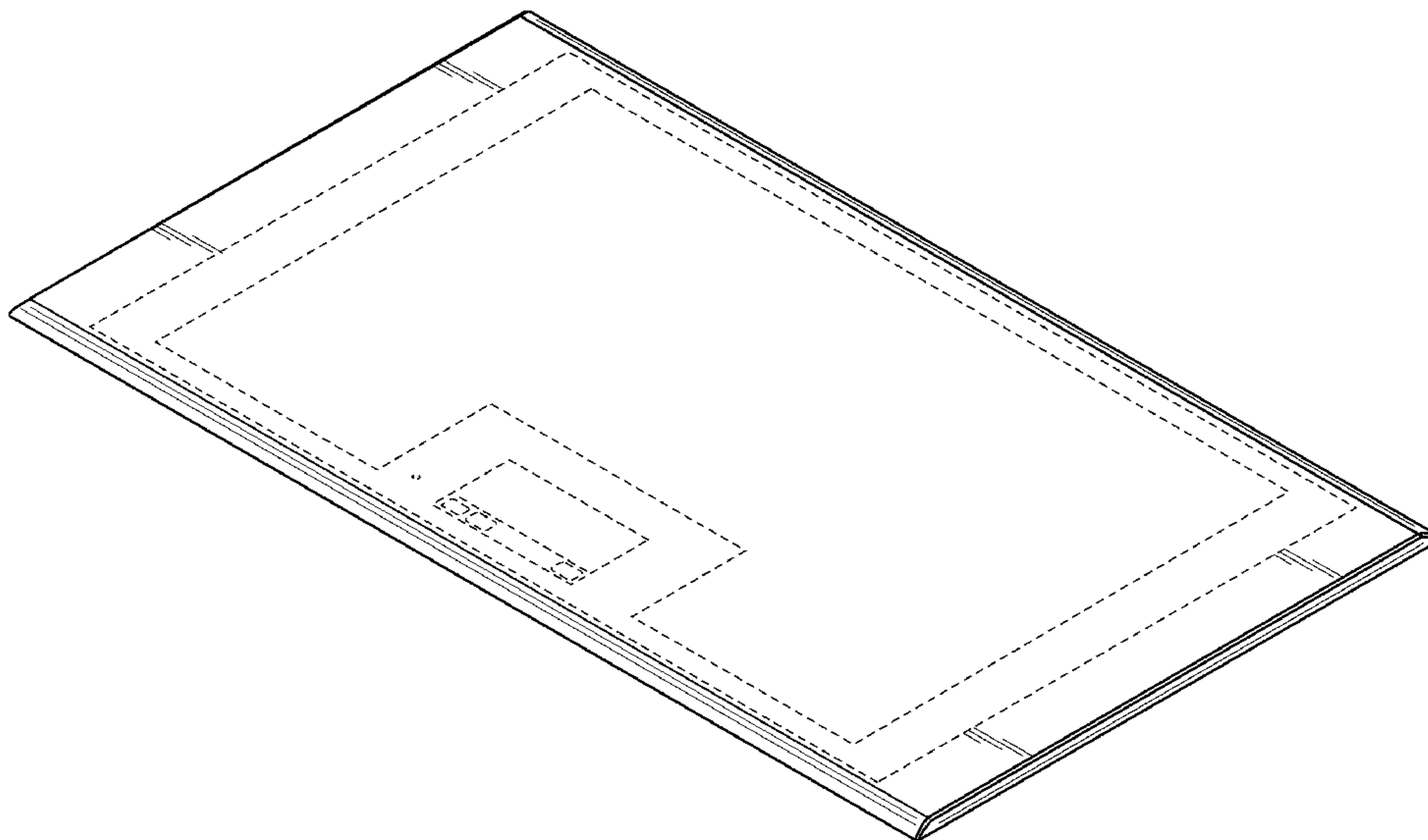
DESCRIPTION

FIG. 1 is a front perspective view of an induction cooktop according to my new ornamental design;
FIG. 2 is a front view thereof;
FIG. 3 is a right side view thereof;
FIG. 4 is a left side view thereof;
FIG. 5 is a top view thereof; and,
FIG. 6 is a bottom view thereof.

The structural elements depicted by broken lines in FIGS. 1 and 2 have been shown for the purpose of illustrating portions of the induction cooktop that form no part of the claimed design.

The rear of the induction cooktop is not shown and its appearance is not claimed.

1 Claim, 3 Drawing Sheets



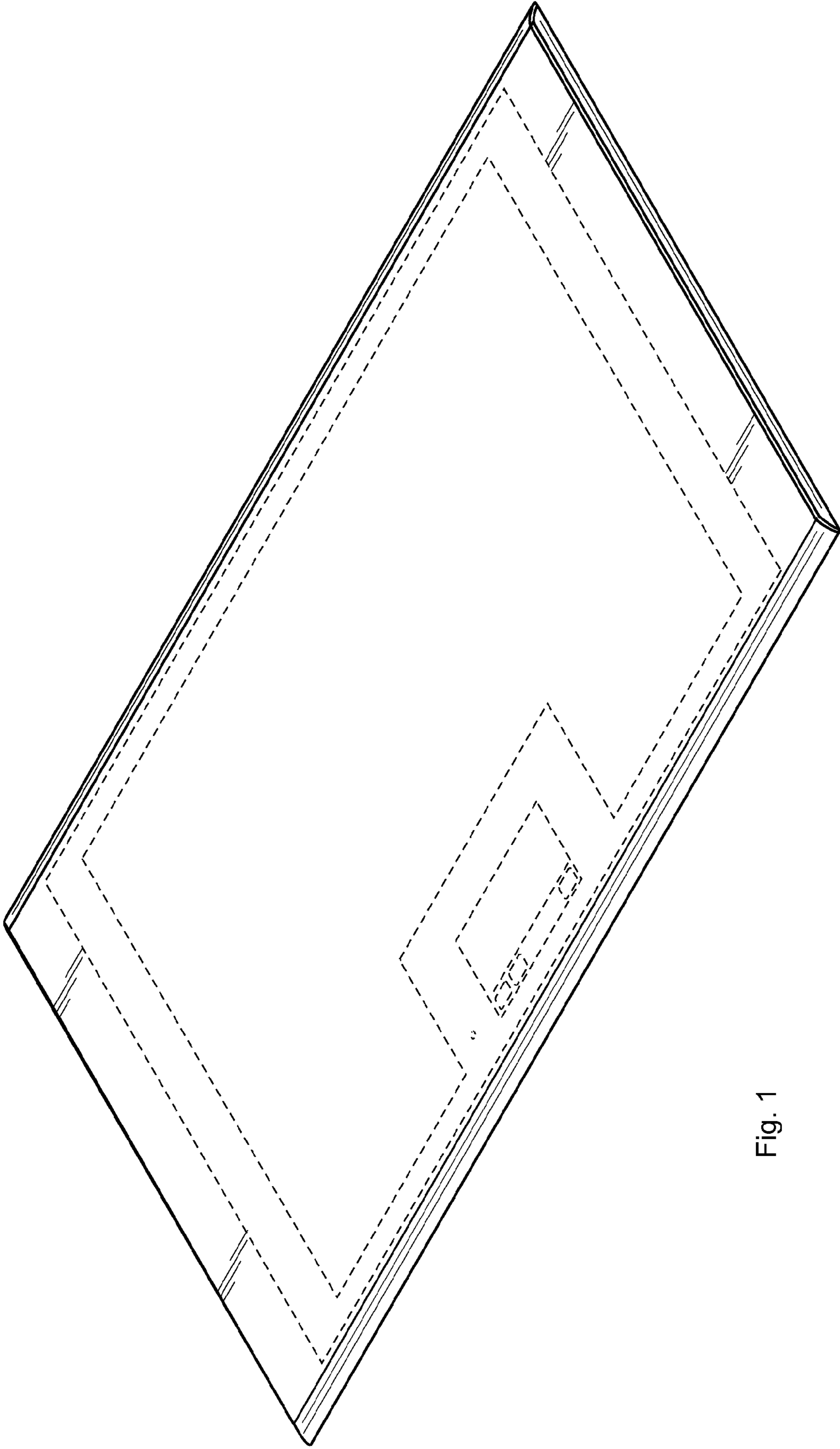


Fig. 1

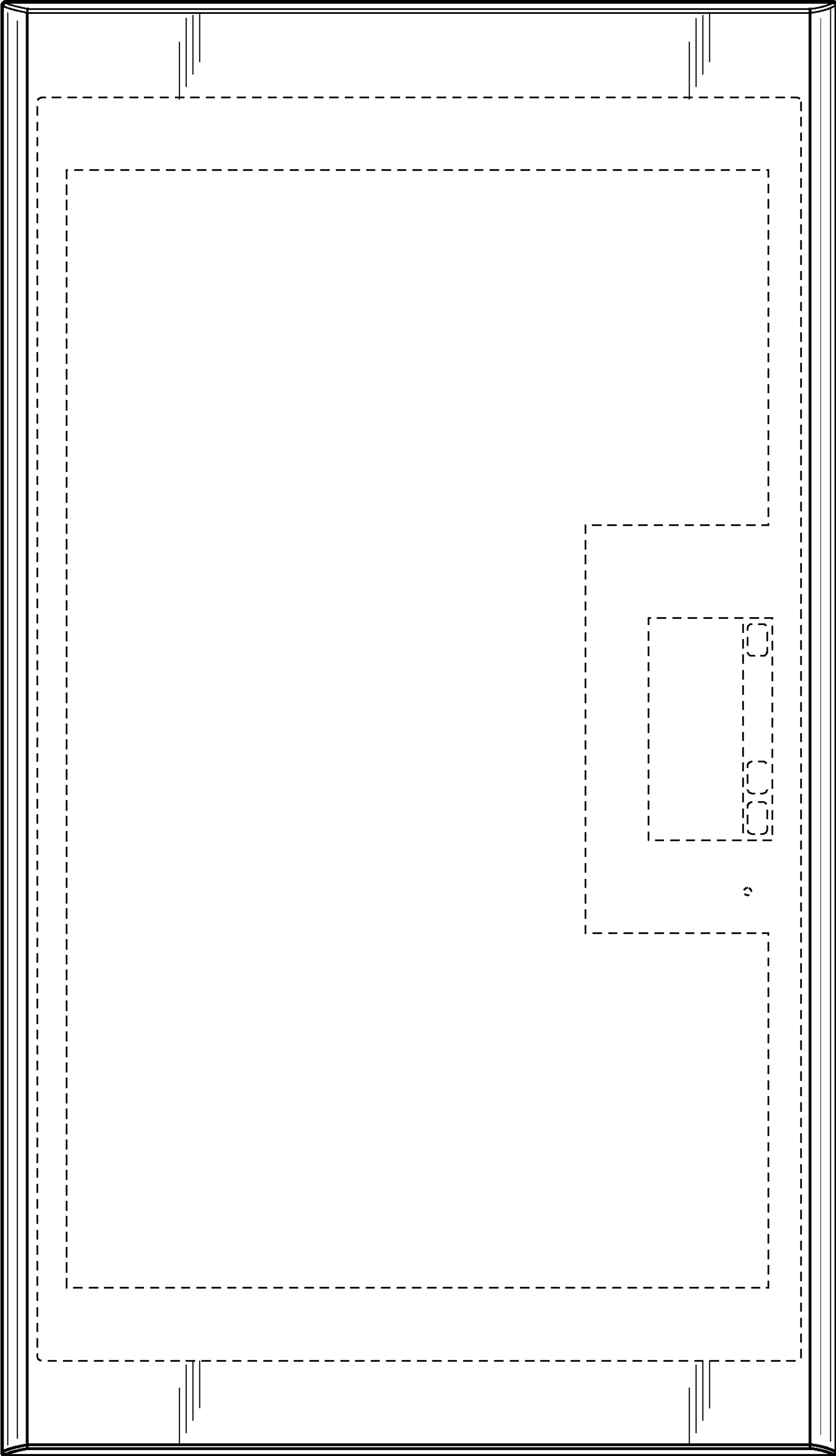


Fig. 2

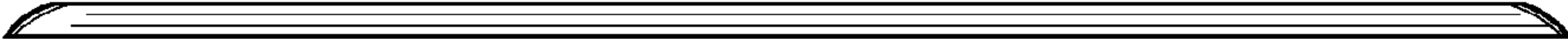


Fig. 3

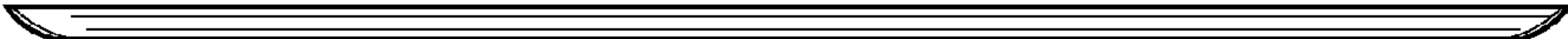


Fig. 4



Fig. 5



Fig. 6