



US00D708002S

(12) **United States Design Patent**
Cruccolini

(10) **Patent No.:** **US D708,002 S**
(45) **Date of Patent:** **** Jul. 1, 2014**

(54) **PORTABLE COOKER**

(71) Applicant: **Marco Cruccolini**, Magione (IT)

(72) Inventor: **Marco Cruccolini**, Magione (IT)

(**) Term: **14 Years**

(21) Appl. No.: **29/442,668**

(22) Filed: **Apr. 16, 2013**

(30) **Foreign Application Priority Data**

Oct. 18, 2012 (EM) 002120667-0001

(51) **LOC (10) Cl.** **07-02**

(52) **U.S. Cl.**

USPC **D7/334**

(58) **Field of Classification Search**

CPC A21B 1/00; A21B 1/52; A47J 33/00;
A47J 36/26; A47J 36/36; A47J 37/04; A47J
37/041; A47J 37/049; A47J 37/042; A47J
37/067; A47J 37/0682; A47J 2037/0777;
A47J 37/07-37/079; F24B 1/18; F24B 1/20;
F24B 1/22; F24B 1/24; F24B 1/26; F24B
1/182; F24B 1/202; F24B 1/205; F24B 1/207;
F24B 3/00; F24C 1/16; F24C 3/008; F24C
3/027; F24C 3/085; F24C 3/087; F24C 3/14;
F24C 5/20; F24C 11/00; F24C 15/10

USPC D7/332-337, 402-408

See application file for complete search history.

(56) **References Cited**

U.S. PATENT DOCUMENTS

2,666,426	A *	1/1954	Pollard	126/25 R
3,868,942	A *	3/1975	Lewis	126/25 R
D252,788	S *	9/1979	Talbert	D7/334
4,665,891	A *	5/1987	Nemec et al.	126/25 R
D295,136	S *	4/1988	Cox, Jr.	D7/334
D352,864	S *	11/1994	Parker	D7/334
6,125,836	A *	10/2000	Felton, Jr.	126/25 R
6,189,528	B1 *	2/2001	Oliver	126/25 R
D447,913	S *	9/2001	Cragg	D7/402
6,681,759	B2 *	1/2004	Bentulan	126/25 R
D491,410	S *	6/2004	Saunders	D7/334
D636,217	S *	4/2011	Slater et al.	D7/334
D697,357	S *	1/2014	Goecke et al.	D7/334
2005/0217659	A1 *	10/2005	McClenahan	126/25 R
2010/0083947	A1 *	4/2010	Guillory et al.	126/25 R
2013/0298894	A1 *	11/2013	Kleinsasser	126/25 R

* cited by examiner

Primary Examiner — Ruth McInroy

(74) *Attorney, Agent, or Firm* — Ladas + Parry; Donald L. Dennison

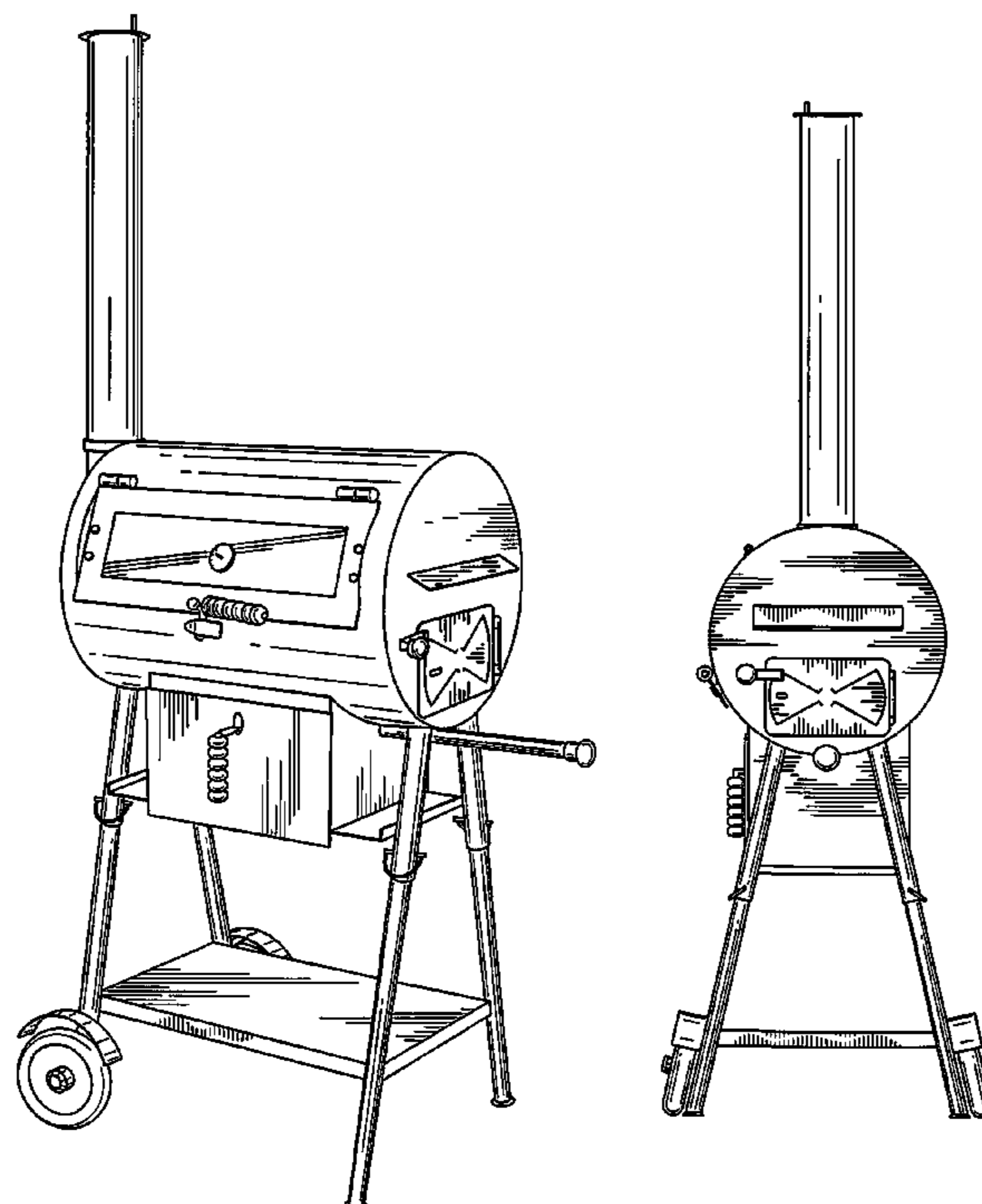
(57) **CLAIM**

The ornamental design for a portable cooker, as shown.

DESCRIPTION

FIG. 1 is a front, top and right side perspective view of a portable cooker showing my new design;
FIG. 2 is a front elevational view thereof;
FIG. 3 is a rear elevational view thereof;
FIG. 4 is a right side elevational view thereof;
FIG. 5 is a left side elevational view view thereof;
FIG. 6 is a top plan view; and,
FIG. 7 is a bottom plan view.

1 Claim, 6 Drawing Sheets



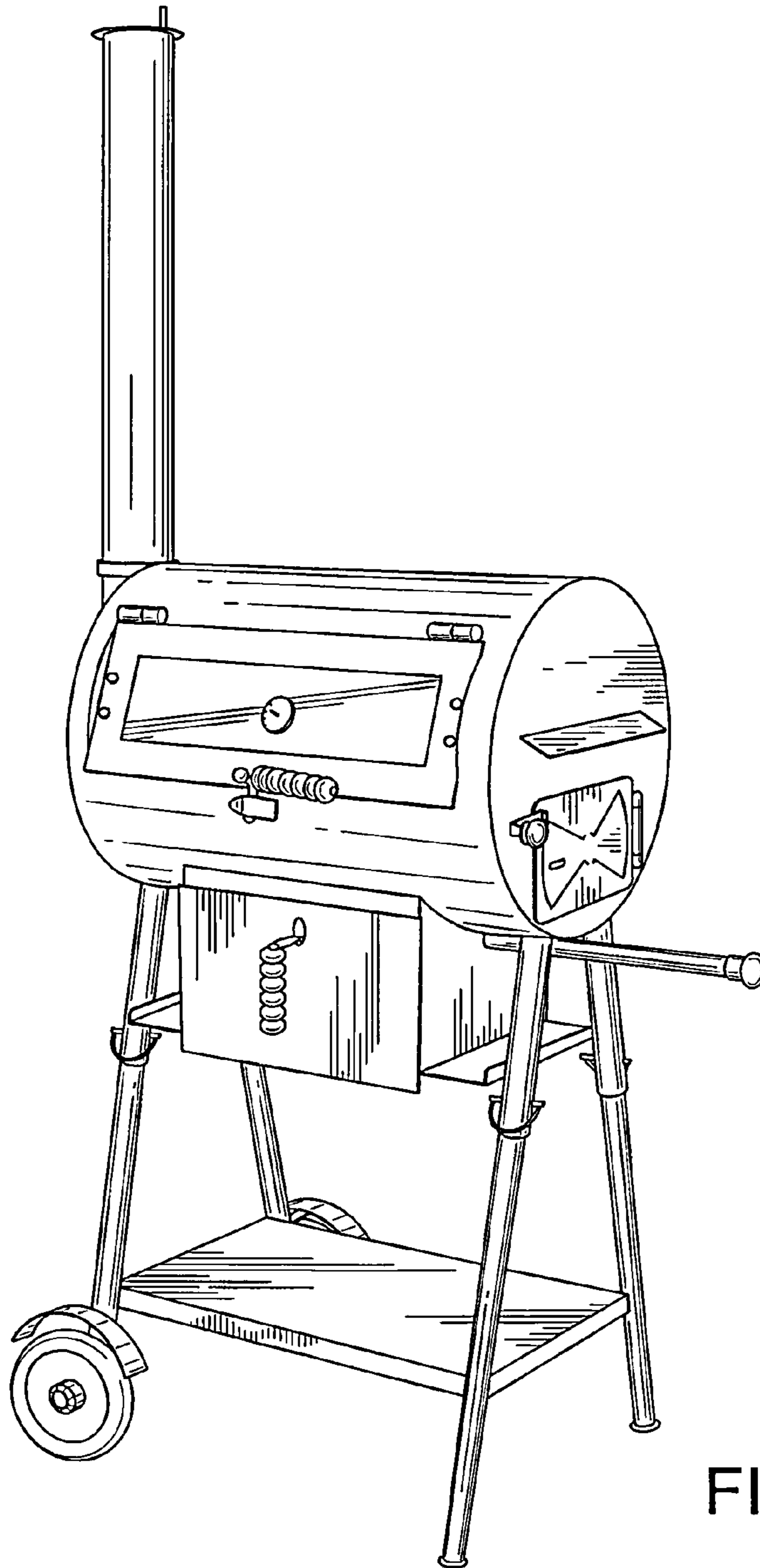


FIG. 1

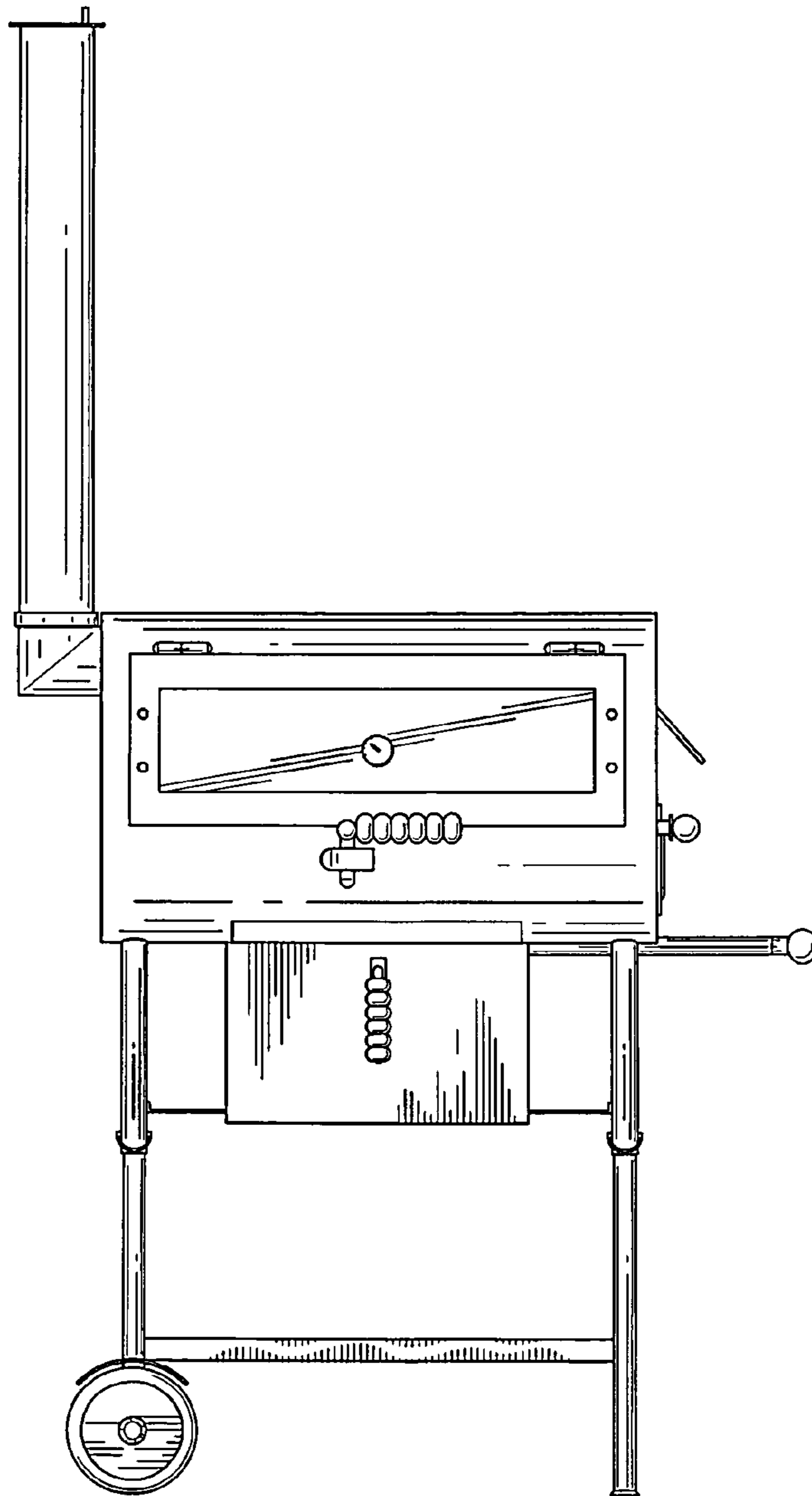


FIG. 2

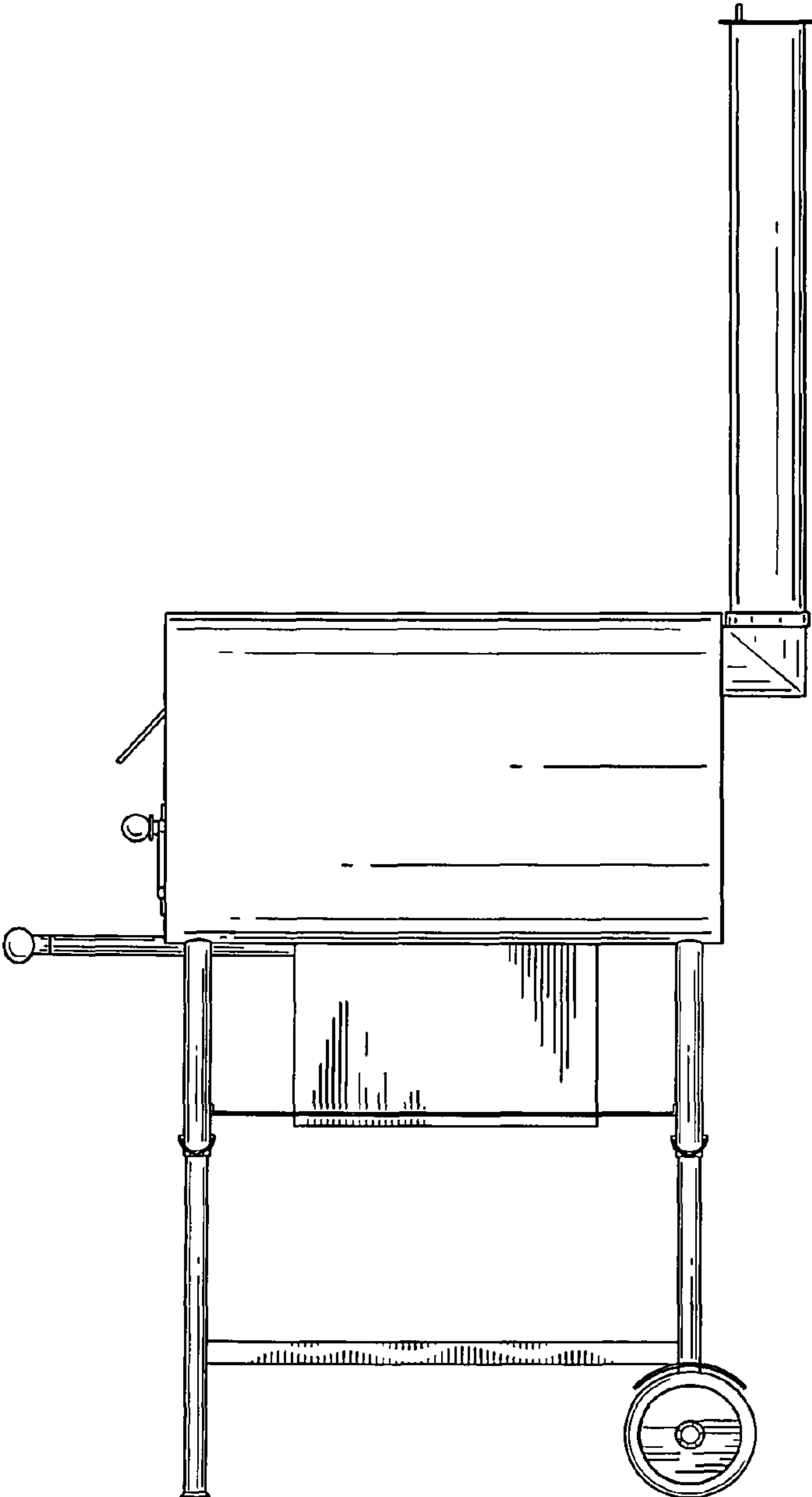


FIG. 3

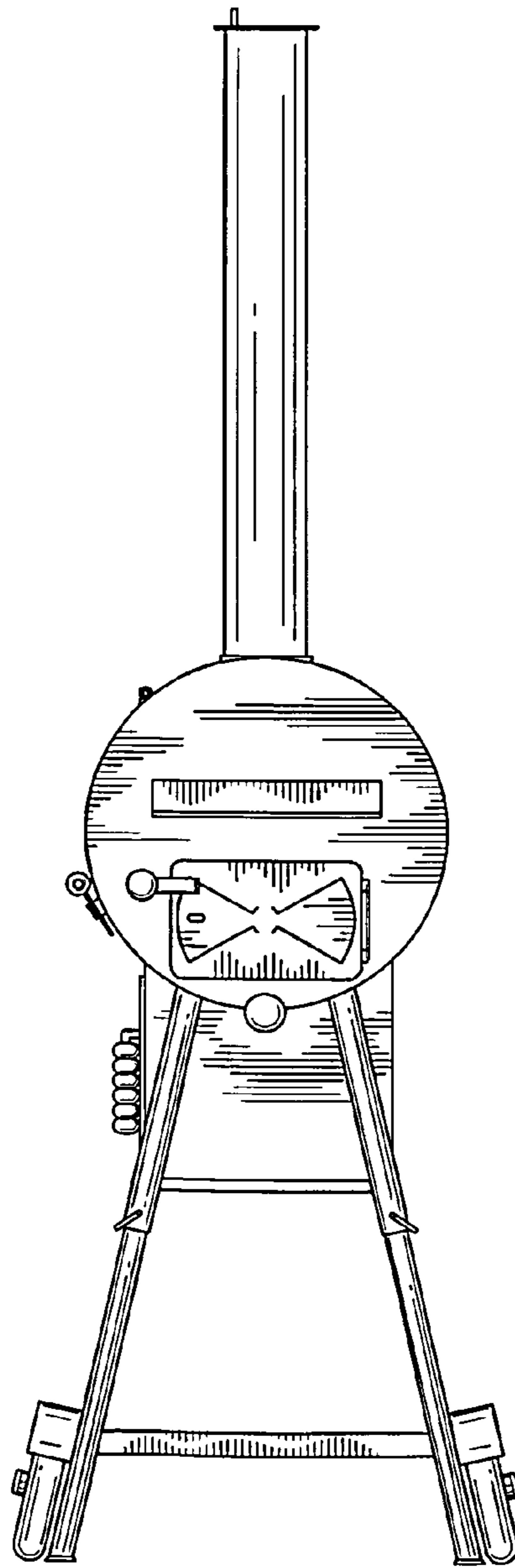


FIG. 4

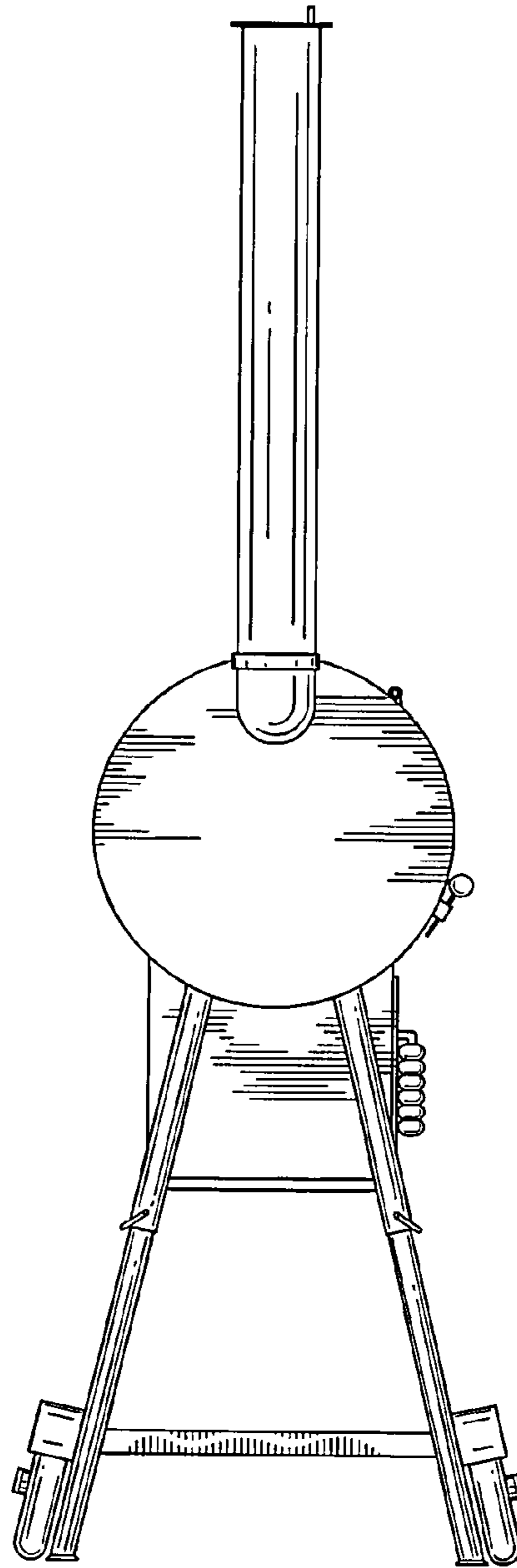


FIG. 5

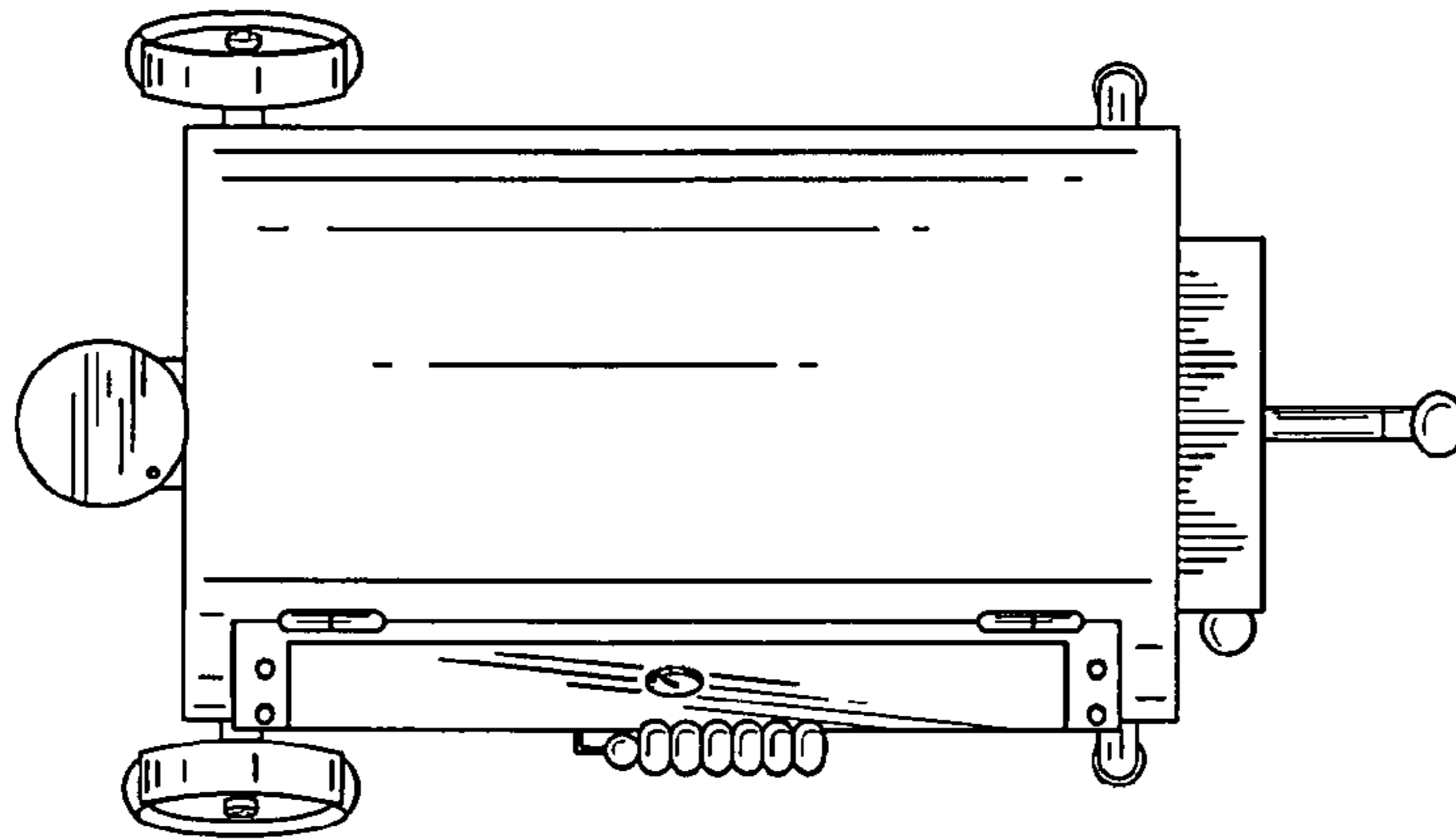


FIG. 6

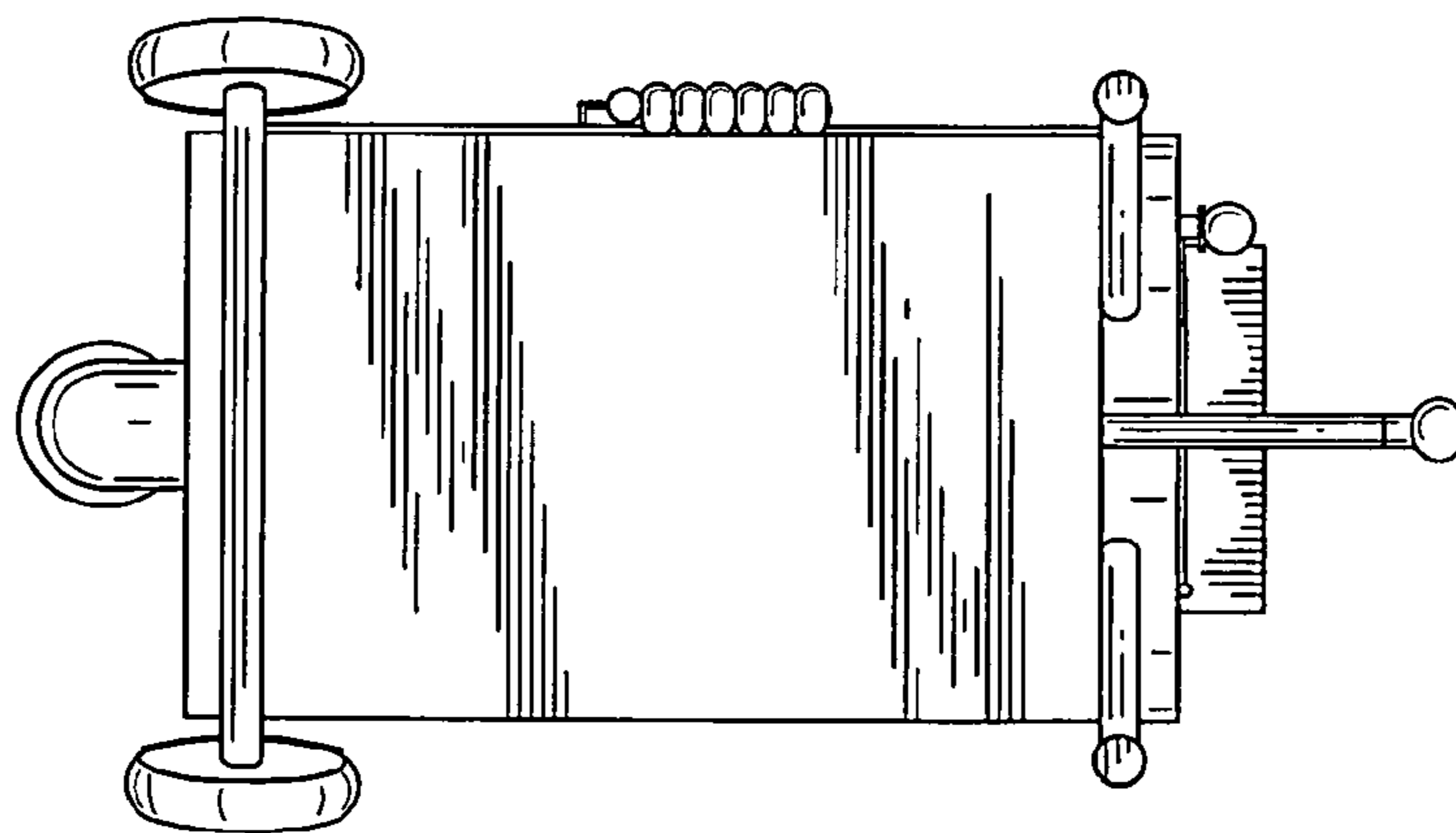


FIG. 7