

US00D708001S

(12) **United States Design Patent**
Measom et al.

(10) **Patent No.:** **US D708,001 S**
(45) **Date of Patent:** **** Jul. 1, 2014**

- (54) **GAS STOVE**
- (71) Applicants: **Ty Measom**, Logan, UT (US); **Brett Bennett**, Mantua, UT (US)
- (72) Inventors: **Ty Measom**, Logan, UT (US); **Brett Bennett**, Mantua, UT (US)
- (73) Assignee: **Logan Outdoor Products, L.L.C.**, Hyde Park, UT (US)
- (**) Term: **14 Years**
- (21) Appl. No.: **29/455,014**
- (22) Filed: **May 16, 2013**
- (51) **LOC (10) Cl.** **07-02**
- (52) **U.S. Cl.**
USPC **D7/332**
- (58) **Field of Classification Search**
CPC A21B 1/00; A21B 1/52; A47J 33/00;
A47J 36/26; A47J 36/36; A47J 37/04; A47J
37/041; A47J 37/049; A47J 37/042; A47J
37/067; A47J 37/0682; A47J 2037/0777;
A47J 37/07-37/079; F24B 1/18; F24B 1/20;
F24B 1/22; F24B 1/24; F24B 1/26; F24B
1/182; F24B 1/202; F24B 1/205; F24B 1/207;
F24B 3/00; F24C 1/16; F24C 3/008; F24C
3/027; F24C 3/085; F24C 3/087; F24C 3/14;
F24C 5/20; F24C 11/00; F24C 15/10
USPC D7/332-337, 402-408
See application file for complete search history.

D328,547	S	*	8/1992	Dutro et al.	D7/332
D356,714	S	*	3/1995	Dutro et al.	D7/332
D358,057	S	*	5/1995	Dutro et al.	D7/332
D360,803	S	*	8/1995	Dutro et al.	D7/332
D364,772	S	*	12/1995	Dutro et al.	D7/332
D378,646	S	*	4/1997	Dutro et al.	D7/332
D417,120	S	*	11/1999	Dutro et al.	D7/332
D417,359	S	*	12/1999	Dutro et al.	D7/332
D449,491	S	*	10/2001	Measom	D7/334
D450,524	S	*	11/2001	Measom	D7/332
D462,562	S	*	9/2002	Wood	D7/332
D473,095	S	*	4/2003	Nguyen	D7/334
6,539,843	B2	*	4/2003	Andress	99/385
D579,260	S	*	10/2008	Zischke	D7/332
8,082,914	B2	*	12/2011	Ip	126/9 R
D656,773	S	*	4/2012	May	D7/334
D657,183	S	*	4/2012	May	D7/334
D688,510	S	*	8/2013	Stirn	D7/334
2007/0089724	A1	*	4/2007	Home	126/9 R
2009/0038605	A1	*	2/2009	Dahle et al.	126/25 R
2010/0242942	A1	*	9/2010	Chang	126/19 R
2012/0186461	A1	*	7/2012	Carson	99/421 H

* cited by examiner

Primary Examiner — Ruth McInroy

(74) *Attorney, Agent, or Firm* — Project CIP; Preston P. Frischknecht

(57) **CLAIM**

The ornamental design for a gas stove, as shown and described.

DESCRIPTION

FIG. 1 is a front isometric view of a gas stove showing our new design;

FIG. 2 is a front view thereof;

FIG. 3 is a rear view thereof;

FIG. 4 is a left side view thereof;

FIG. 5 is a right side view thereof; and,

FIG. 6 is a top plan view thereof.

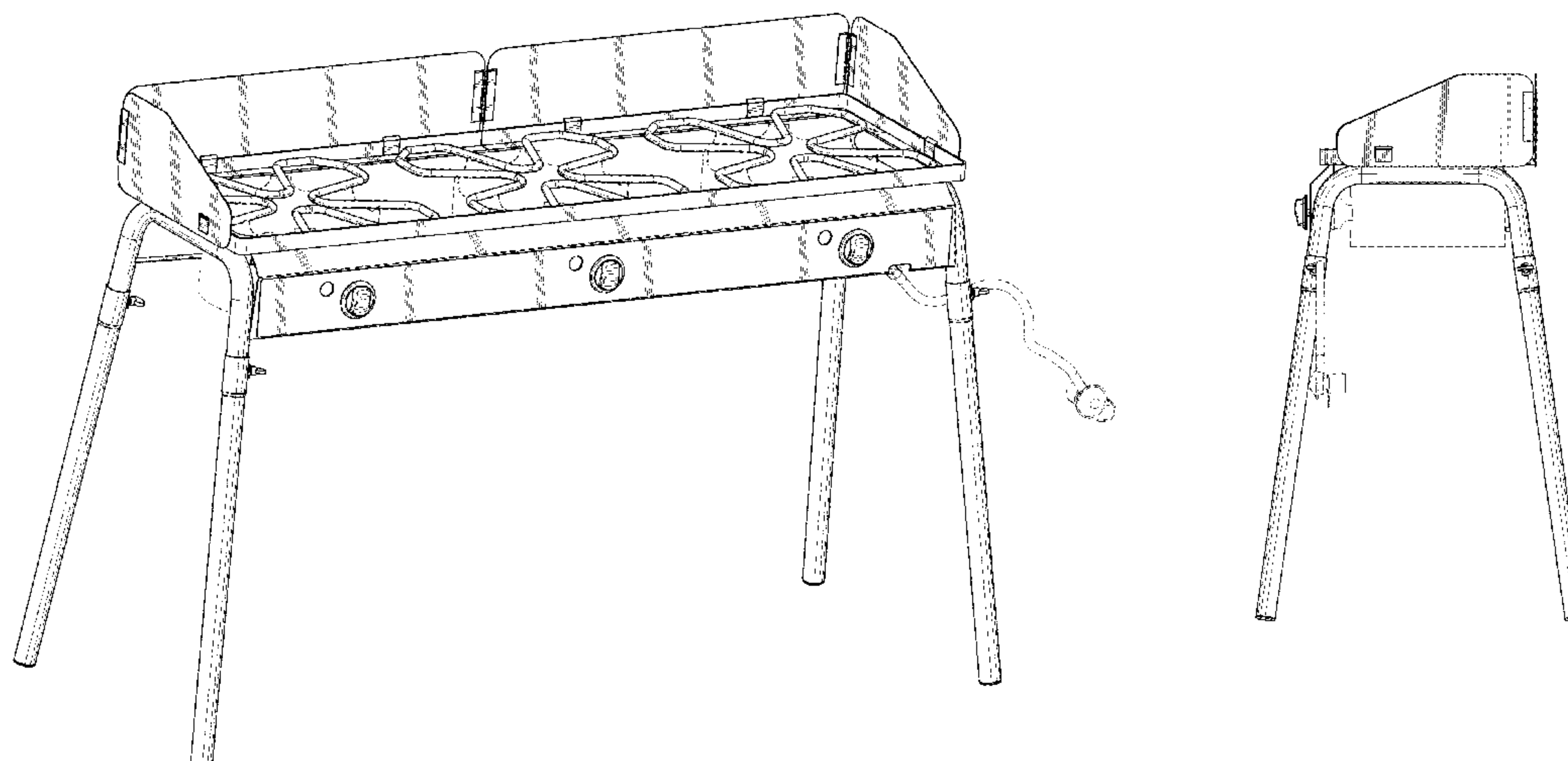
The details shown in broken lines form no part of the claimed design.

1 Claim, 5 Drawing Sheets

(56) **References Cited**

U.S. PATENT DOCUMENTS

2,680,436	A	*	6/1954	Derden	126/25 R
D245,220	S	*	8/1977	Chan	D7/337
D251,894	S	*	5/1979	Chan	D7/337
4,598,690	A	*	7/1986	Hsu	126/25 R
D290,923	S	*	7/1987	Erickson	D7/337
D295,818	S	*	5/1988	Chan	D7/332



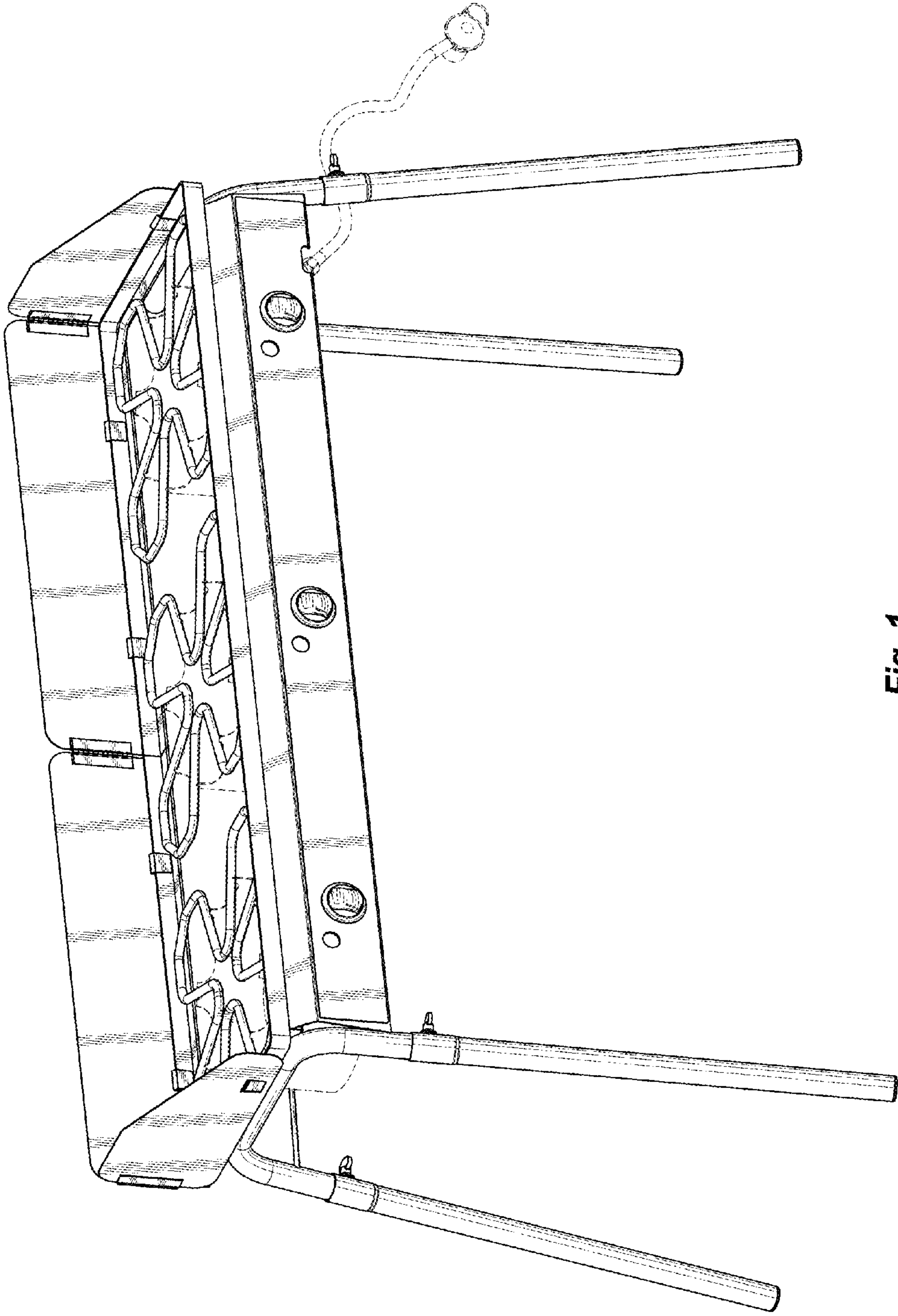


Fig. 1

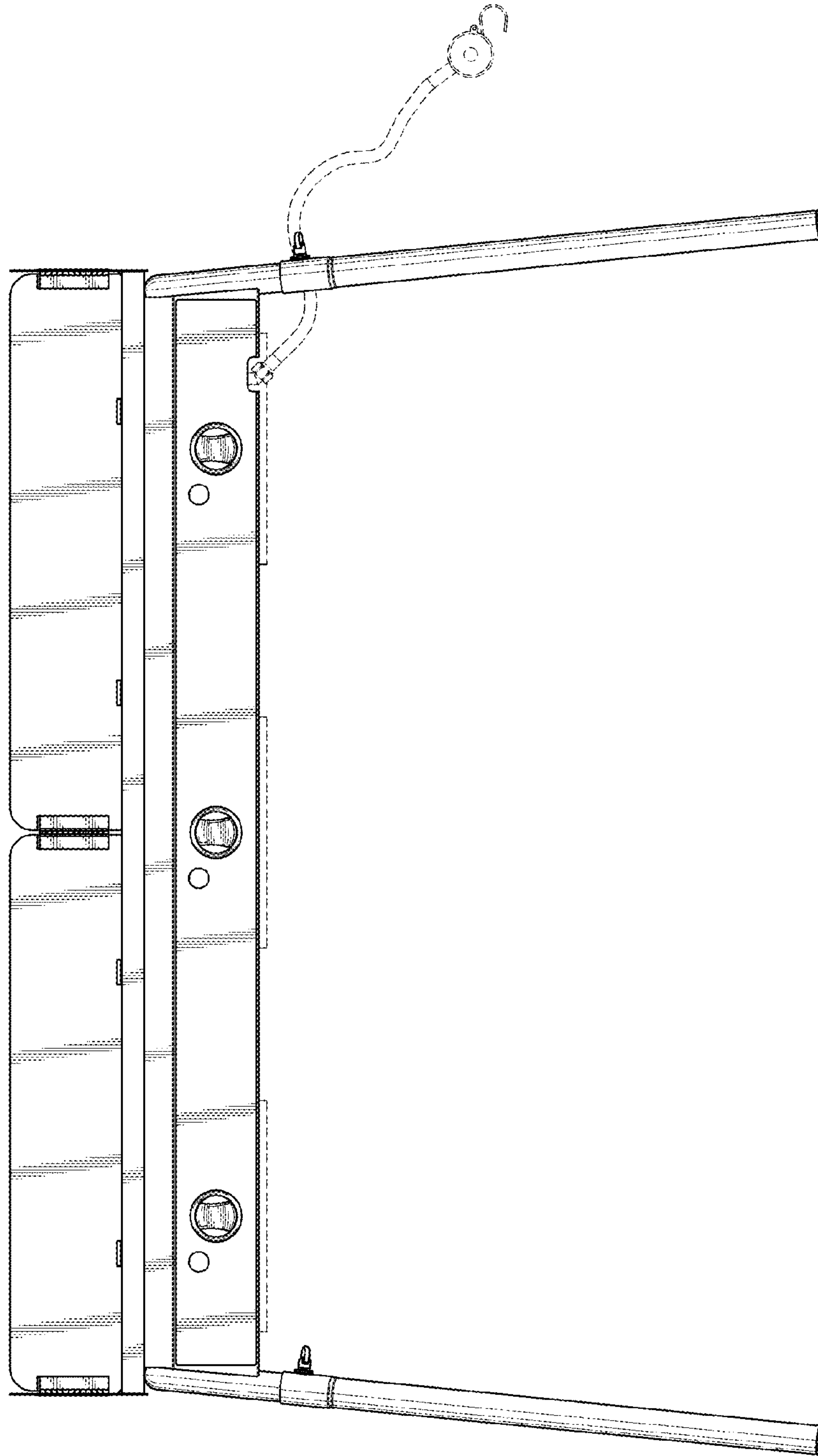


Fig. 2

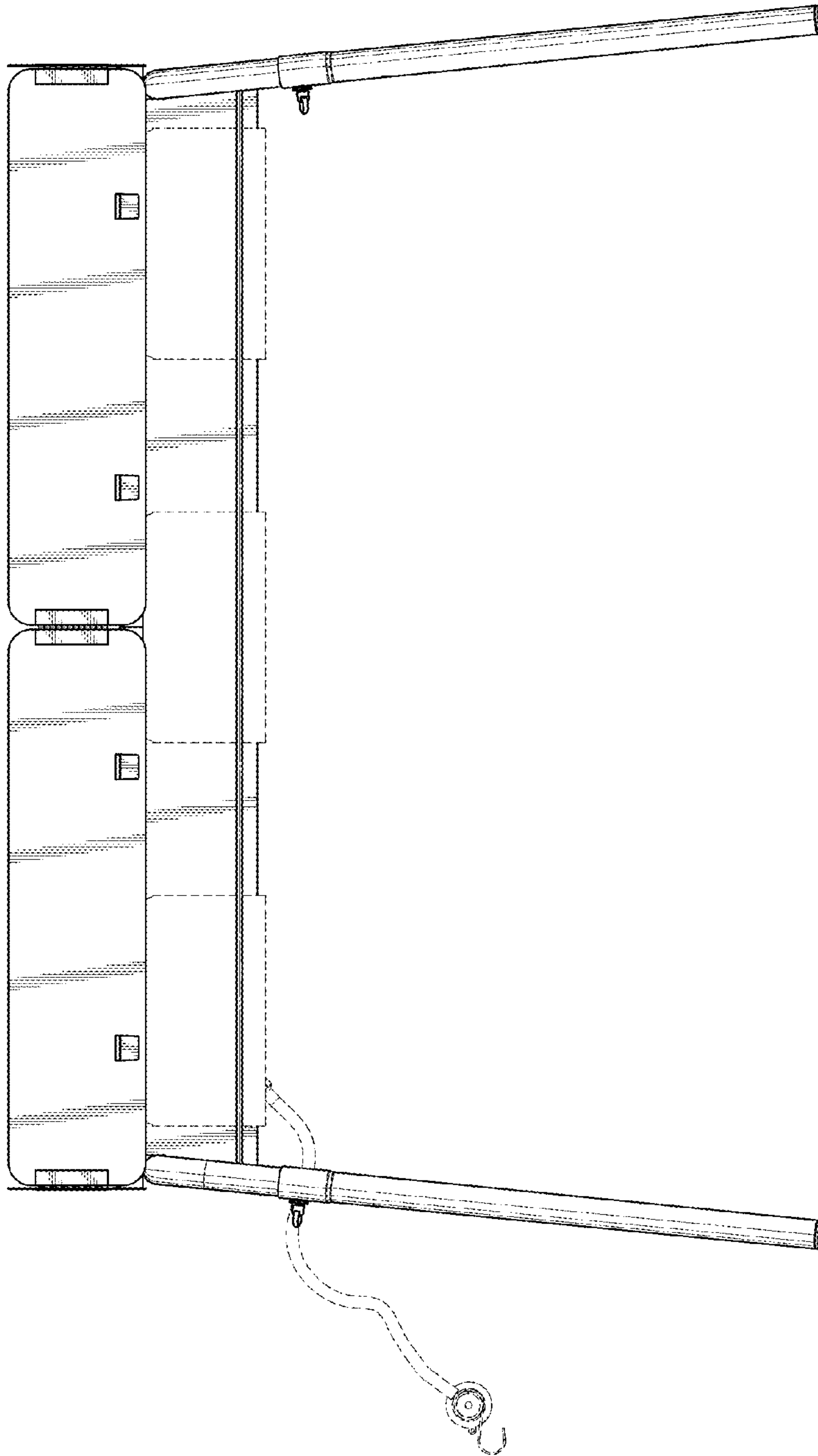


Fig. 3

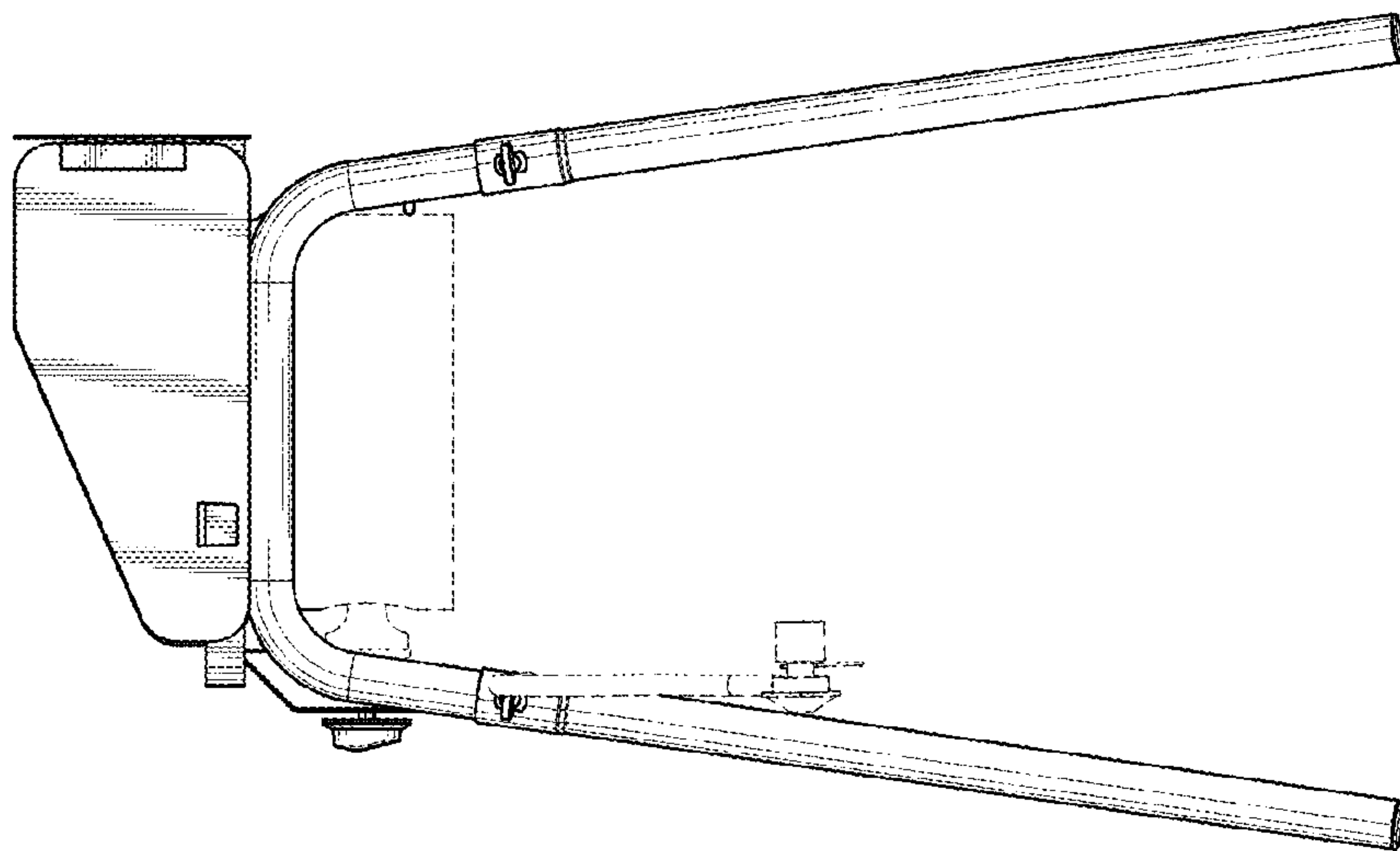


Fig. 5

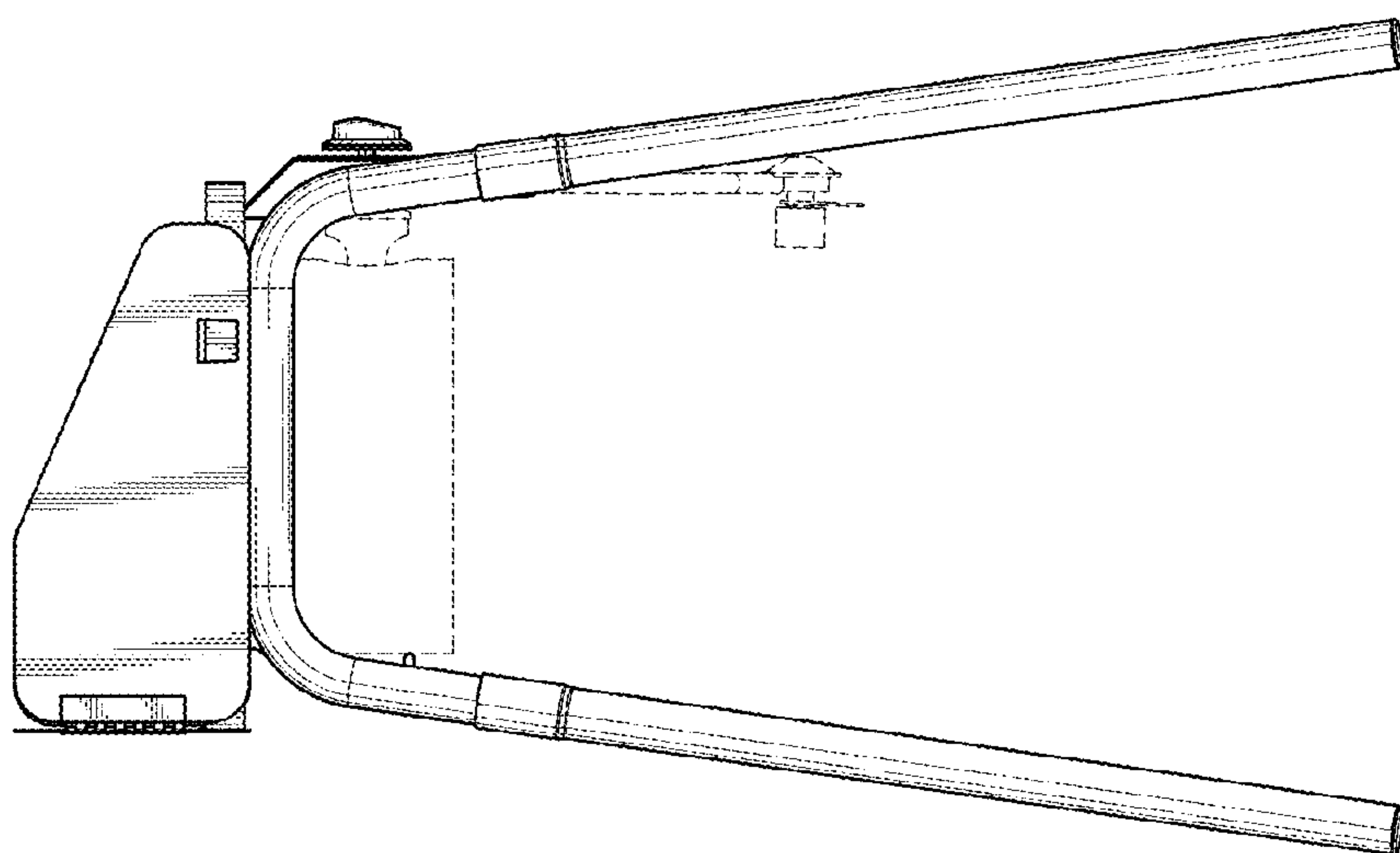


Fig. 4

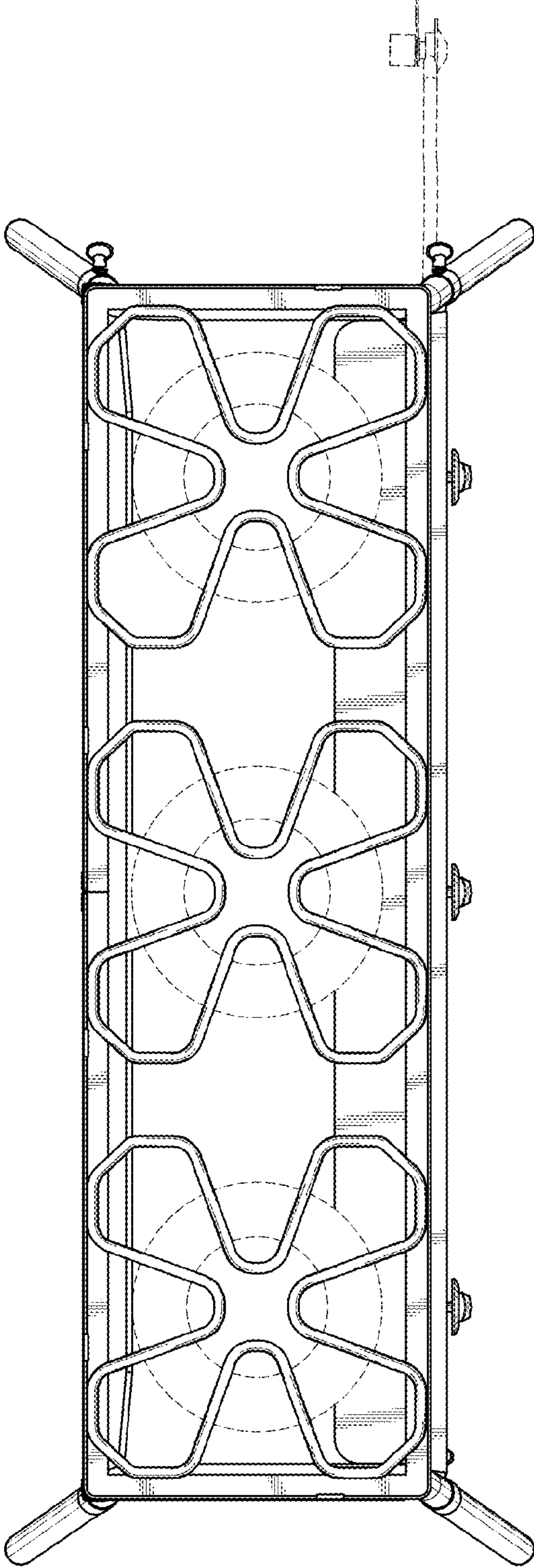


Fig. 6