



US00D708000S

(12) **United States Design Patent**
Liu

(10) **Patent No.:** **US D708,000 S**
(45) **Date of Patent:** **** Jul. 1, 2014**

(54) **DRINK DISPENSER**

(71) Applicant: **Free-Free Industrial Corp.**, Taipei (TW)

(72) Inventor: **Sheng-Yu Liu**, Taipei (TW)

(73) Assignee: **Free-Free Industrial Corp.**, Taipei (TW)

(**) Term: **14 Years**

(21) Appl. No.: **29/444,512**

(22) Filed: **Jan. 31, 2013**

(51) **LOC (10) Cl.** **07-01**

(52) **U.S. Cl.**
USPC **D7/306; D7/313**

(58) **Field of Classification Search**
CPC B67D 1/0087; A47J 31/00
USPC D7/306-311, 300, 313; 222/129.1,
222/146.6, 185.1; 99/319, 308, 307, 281,
99/288; D6/512, 680; D20/1
See application file for complete search history.

(56) **References Cited**

U.S. PATENT DOCUMENTS

D188,981 S * 10/1960 Pagano D32/14.1
D233,087 S * 10/1974 Martin D6/455
D235,816 S * 7/1975 Hall D7/308
D309,395 S * 7/1990 Thompson et al. D7/311

D317,383 S * 6/1991 Brill et al. D6/455
D323,875 S * 2/1992 Kang et al. D23/209
D329,378 S * 9/1992 Bustos D20/37
D467,764 S * 12/2002 Harrison et al. D7/306
D505,822 S * 6/2005 De Gooijer D7/307
7,140,196 B2 * 11/2006 Pfeifer et al. 62/394
D544,286 S * 6/2007 Cahen D7/306
8,006,866 B2 * 8/2011 Minard et al. 222/1
D644,712 S * 9/2011 Seo et al. D23/207
D683,174 S * 5/2013 Regamey D7/306
D696,887 S * 1/2014 Minica et al. D7/306

* cited by examiner

Primary Examiner — Marianne Pandozzi

(74) *Attorney, Agent, or Firm* — Whyte Hirschboeck Dudek S.C.

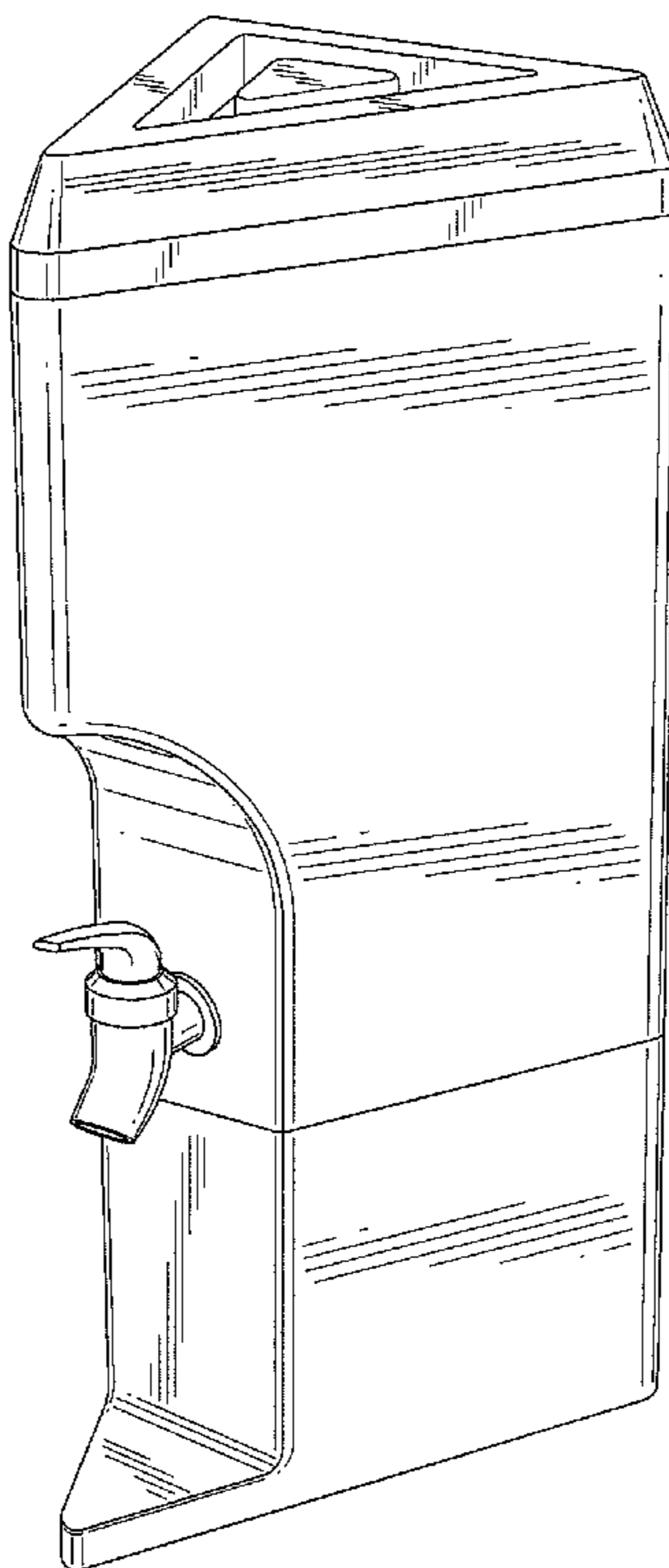
(57) **CLAIM**

The ornamental design for drink dispenser, as shown and described.

DESCRIPTION

FIG. 1 is a perspective view of drink dispenser showing my new design;
FIG. 2 is a front elevational view thereof;
FIG. 3 is a rear elevational view thereof;
FIG. 4 is a left side elevational view thereof;
FIG. 5 is a right side elevational view thereof;
FIG. 6 is a top plan view thereof; and,
FIG. 7 is a bottom plan view thereof.

1 Claim, 4 Drawing Sheets



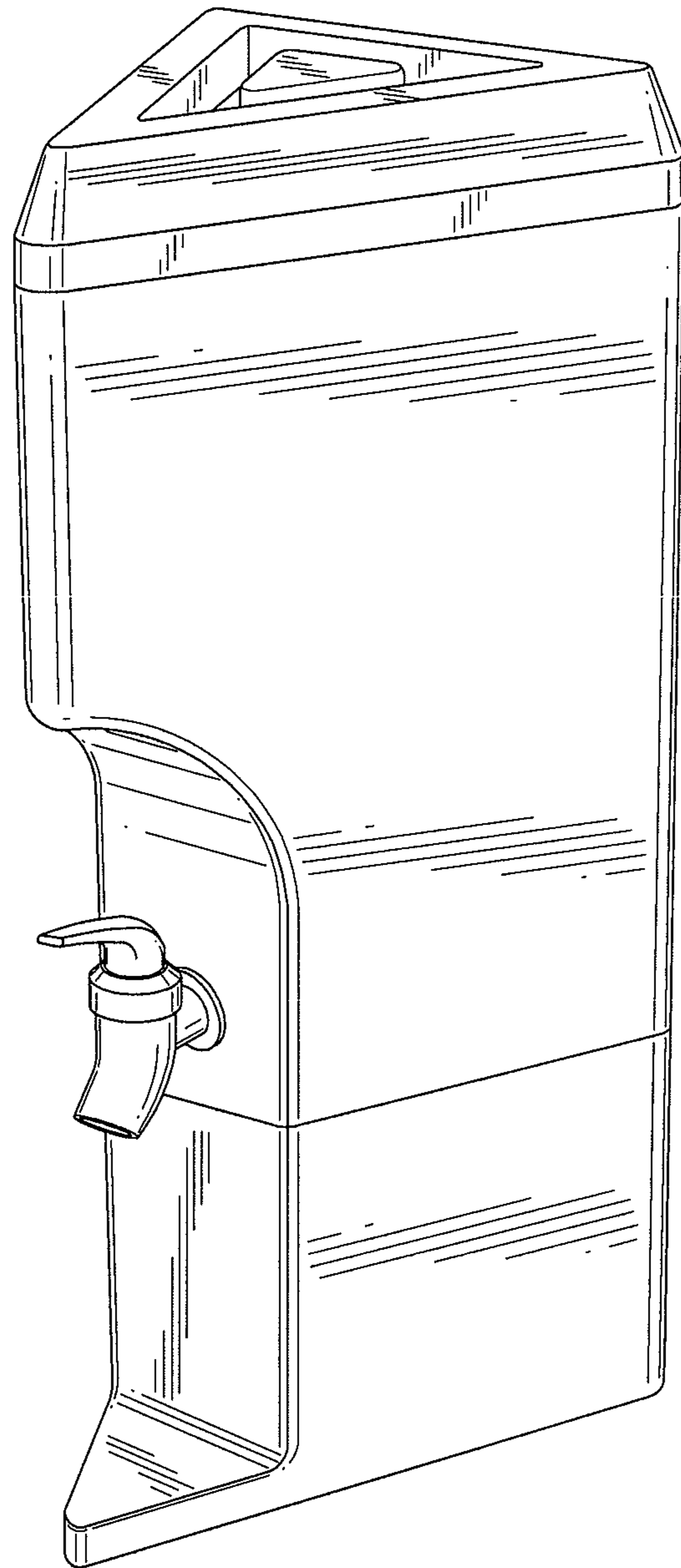


FIG. 1

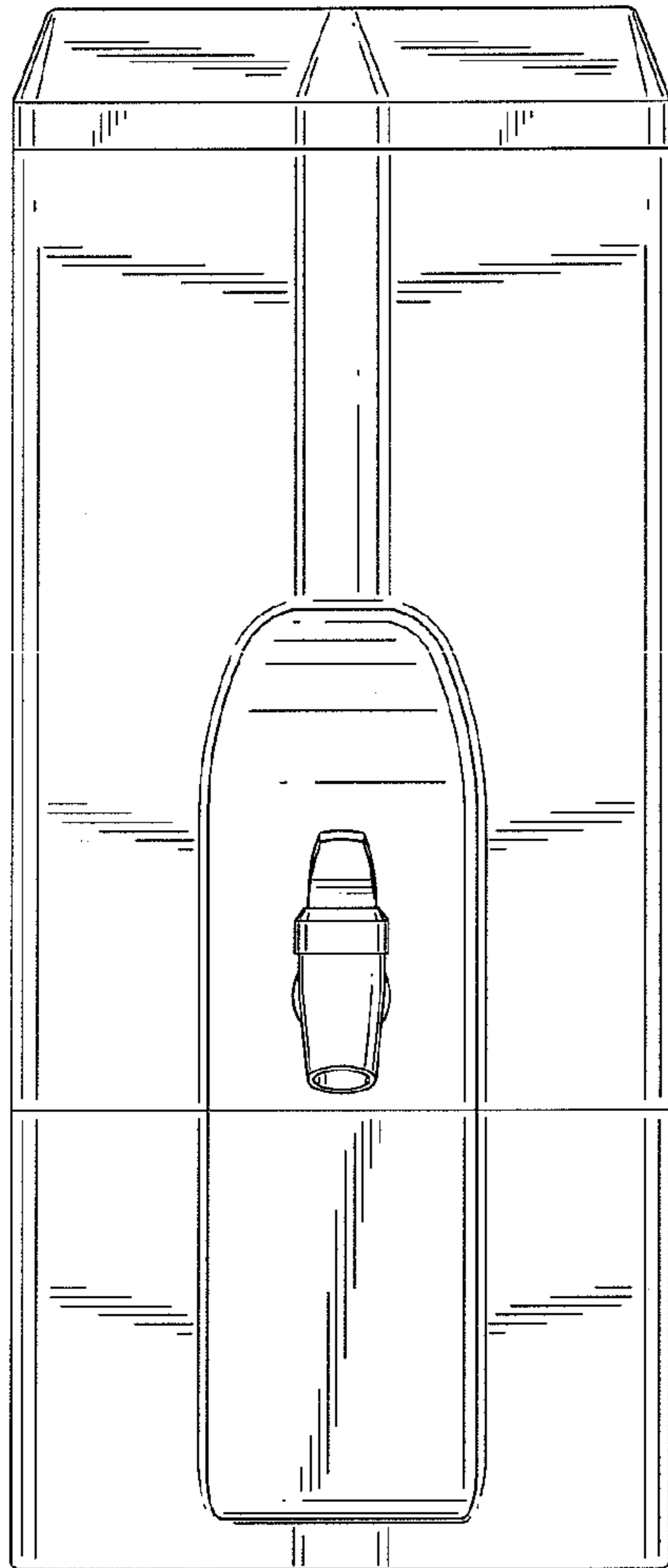


FIG. 2

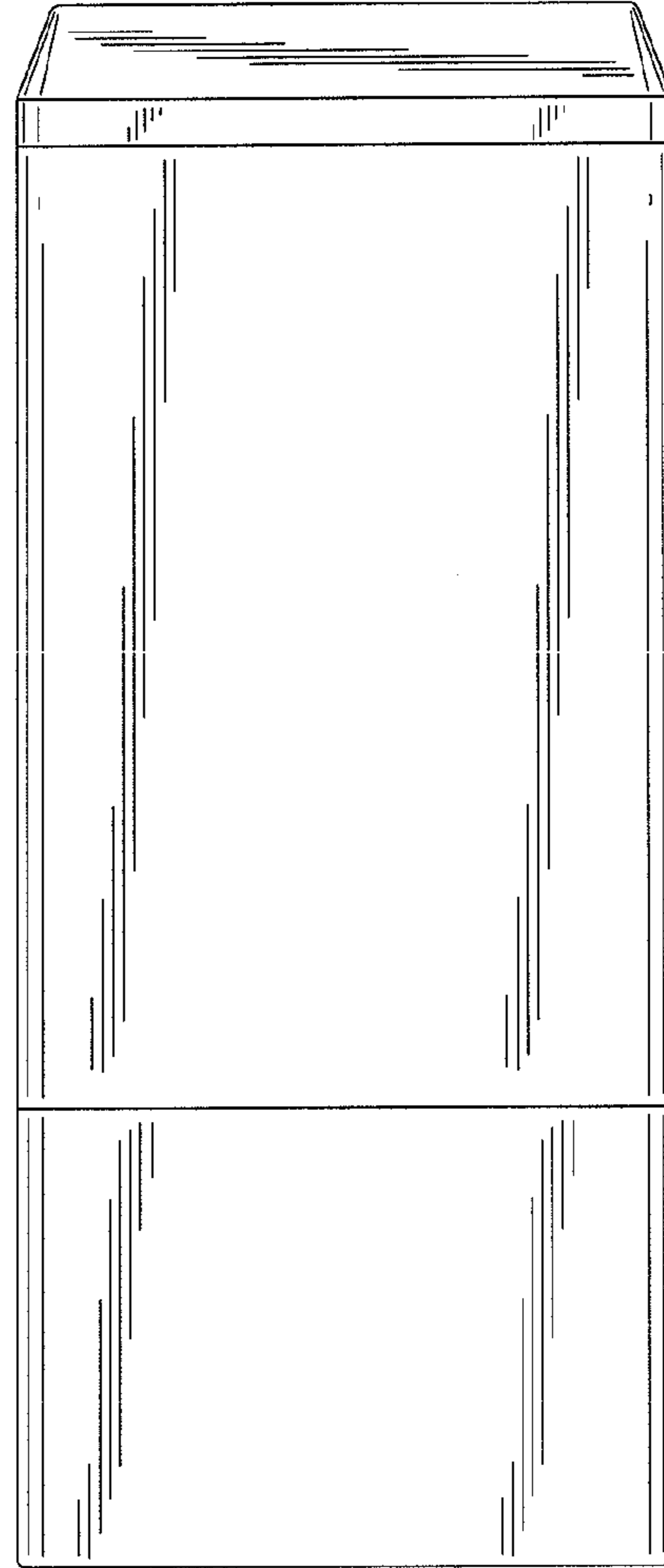


FIG. 3

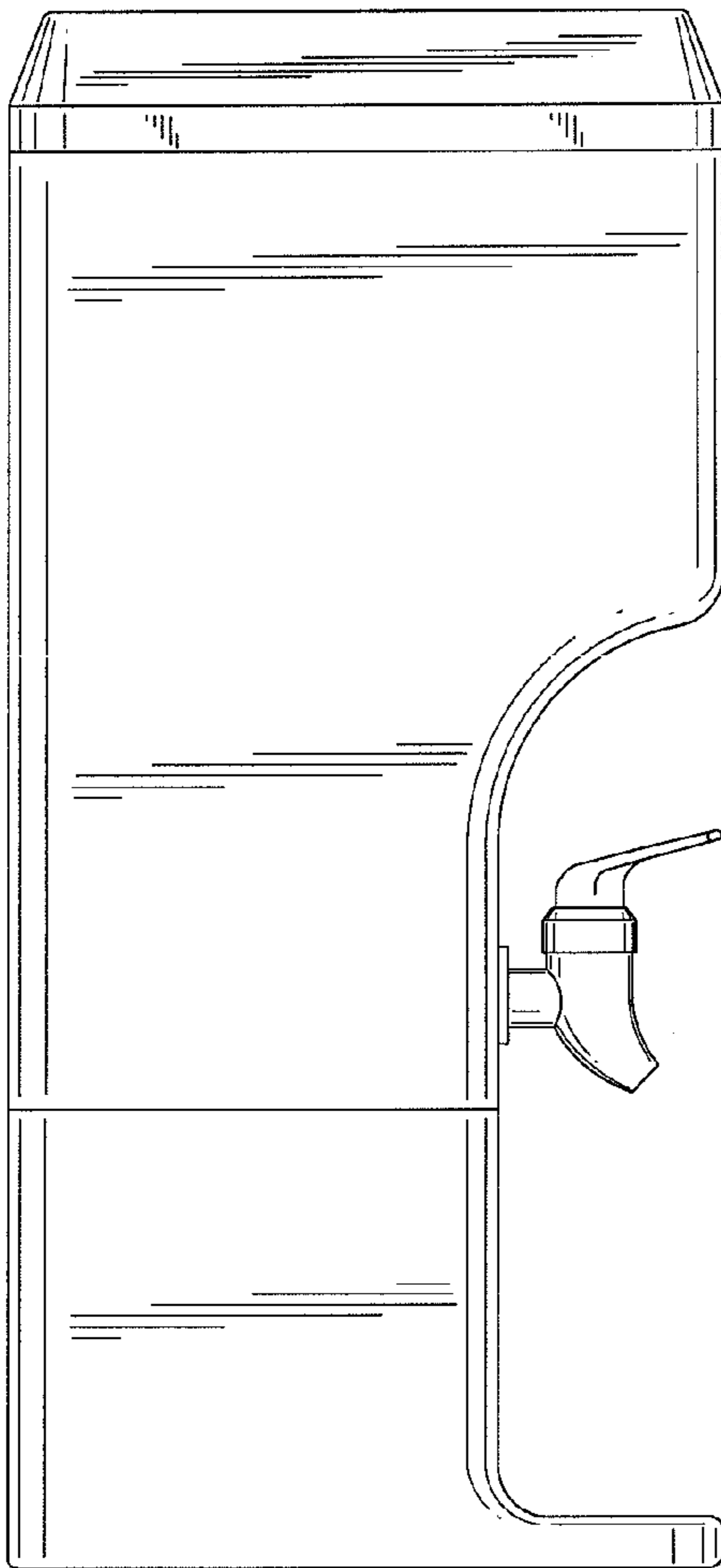


FIG. 4

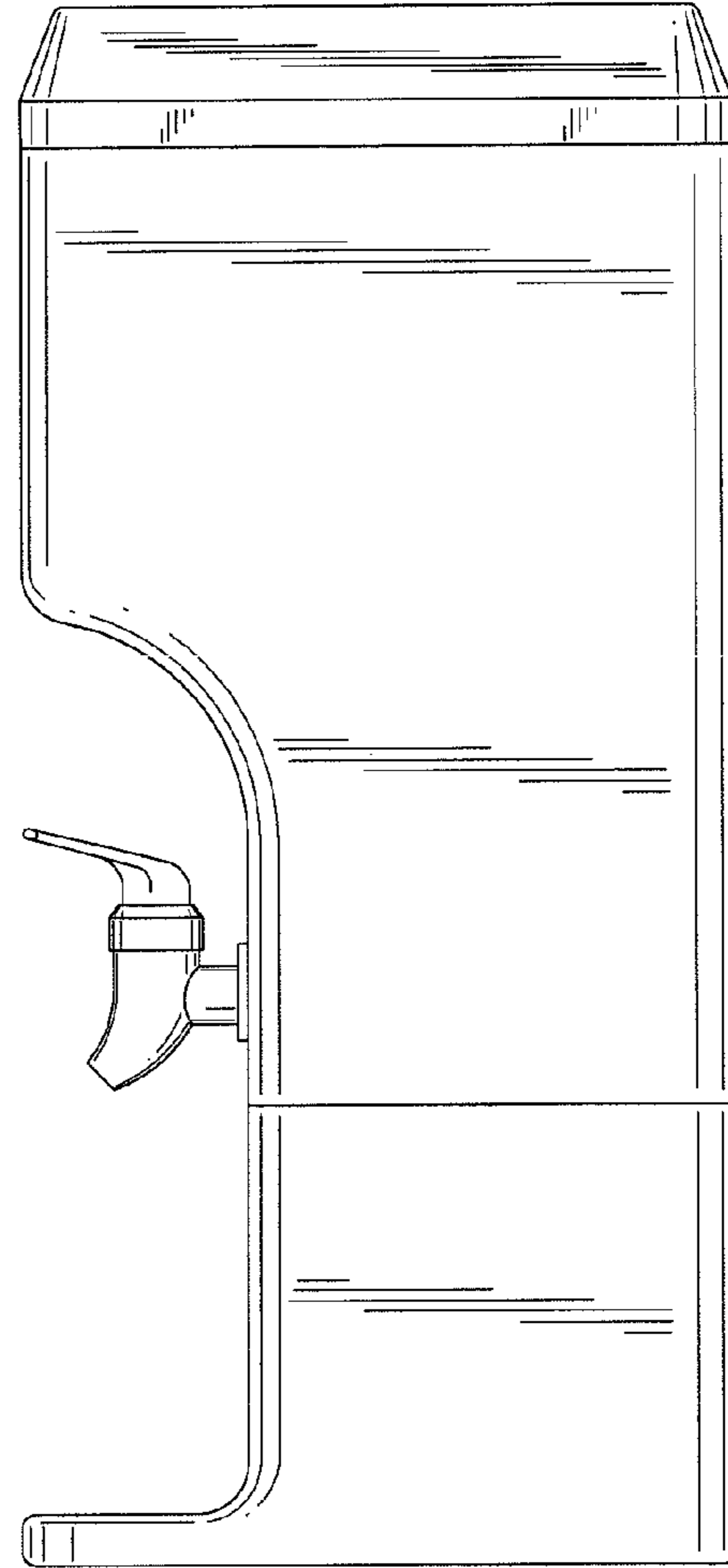


FIG. 5

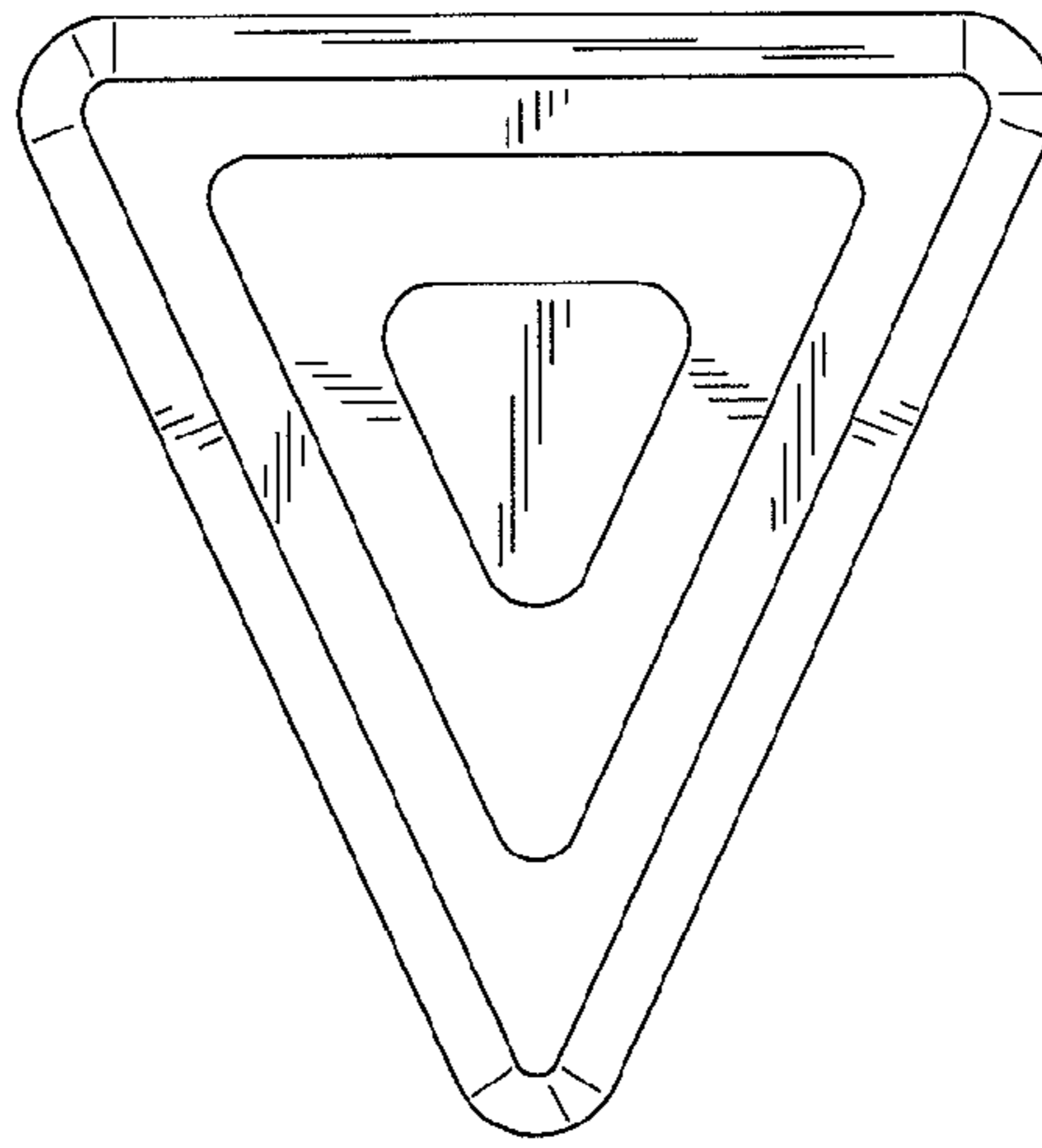


FIG. 6

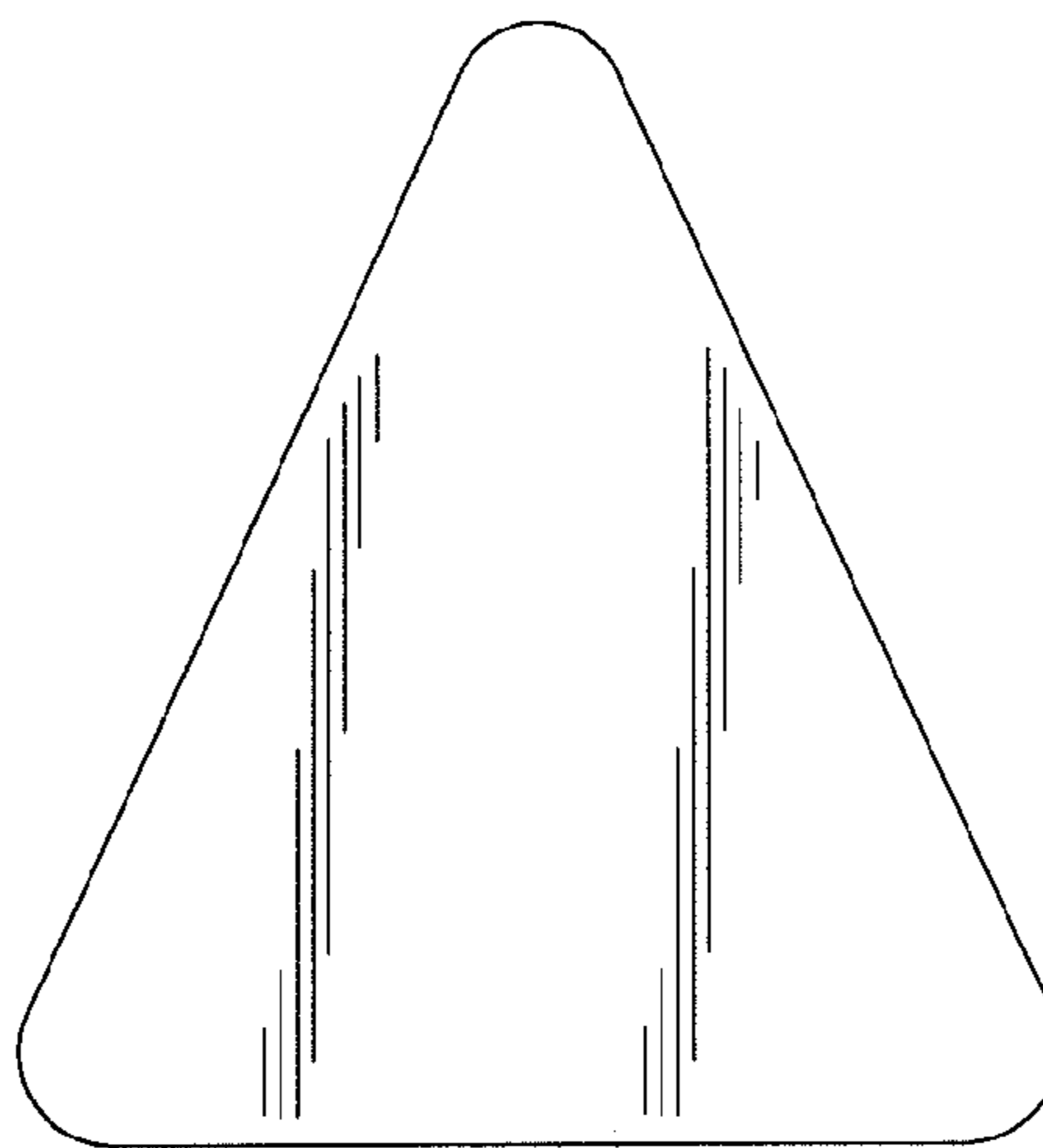


FIG. 7