



US00D707999S

(12) **United States Design Patent**
Takashi et al.

(10) **Patent No.:** **US D707,999 S**
(45) **Date of Patent:** **** Jul. 1, 2014**

(54) **VEHICLE SEAT**

(71) Applicant: **Central Japan Railway Company,**
Nagoya (JP)

(72) Inventors: **Yukio Takashi,** Nagoya (JP); **Hiroki**
Tsunoda, Nagoya (JP); **Yuya**
Futamura, Nagoya (JP)

(73) Assignee: **Central Japan Railway Company,**
Nagoya-Shi, Aichi (JP)

(**) Term: **14 Years**

(21) Appl. No.: **29/461,133**

(22) Filed: **Jul. 18, 2013**

(30) **Foreign Application Priority Data**

Jan. 22, 2013 (JP) 2013-00966

(51) **LOC (10) Cl.** **06-01**

(52) **U.S. Cl.**
USPC **D6/716.4**

(58) **Field of Classification Search**

USPC D6/333-336, 342-356, 360-381, 388,
D6/403, 491-502, 692, 708, 708.21, 716,
D6/716.2-716.4; 297/232, 256.16, 271.6,
297/284.4-284.5, 291, 297, 302.4, 353,
297/344.1, 354.1, 362.13, 396, 411.2,
297/411.27-411.29, 411.43, 423.1, 423.12,
297/440.11, 440.15, 440.21-440.24, 448.1,
297/451.4, 452.13, 452.19, 452.21, 452.27,
297/452.29, 452.3, 452.41, 452.56, 452.64,
297/474

See application file for complete search history.

(56) **References Cited**

U.S. PATENT DOCUMENTS

D186,105	S	*	9/1959	Dietz et. al.	D6/356
D198,783	S	*	8/1964	Barecki	D6/356
D239,148	S	*	3/1976	Mendell et. al.	D6/342
D250,071	S	*	10/1978	Dickerson	D6/356
D257,707	S	*	12/1980	Marrujo	D6/342
D267,372	S	*	12/1982	Long et al.	D6/356
D268,972	S	*	5/1983	White	D6/356
D268,973	S	*	5/1983	White	D6/356
D277,526	S	*	2/1985	White	D6/356
4,526,421	A	*	7/1985	Brennan et al.	297/232
D495,171	S	*	8/2004	Wesley	D6/501
D505,796	S	*	6/2005	Johnson	D6/356
2003/0094842	A1	*	5/2003	Williamson	297/362.13

* cited by examiner

Primary Examiner — Ricky Pham

(74) *Attorney, Agent, or Firm* — McGinn IP Law Group,
PLLC

(57) **CLAIM**

The ornamental design for a vehicle seat, as shown and described.

DESCRIPTION

FIG. 1 is a front perspective view of a vehicle seat showing our new design in a state that one table is extended; FIG. 2 is a rear perspective view thereof in a state that one table is extended; FIG. 3 is a front view thereof; FIG. 4 is a rear view thereof; FIG. 5 is a right side view thereof; FIG. 6 is a left side view thereof; FIG. 7 is a top plan view thereof; and, FIG. 8 is a bottom view thereof. The broken lines are shown for illustrative purposes only and form no part of the claimed design.

1 Claim, 8 Drawing Sheets

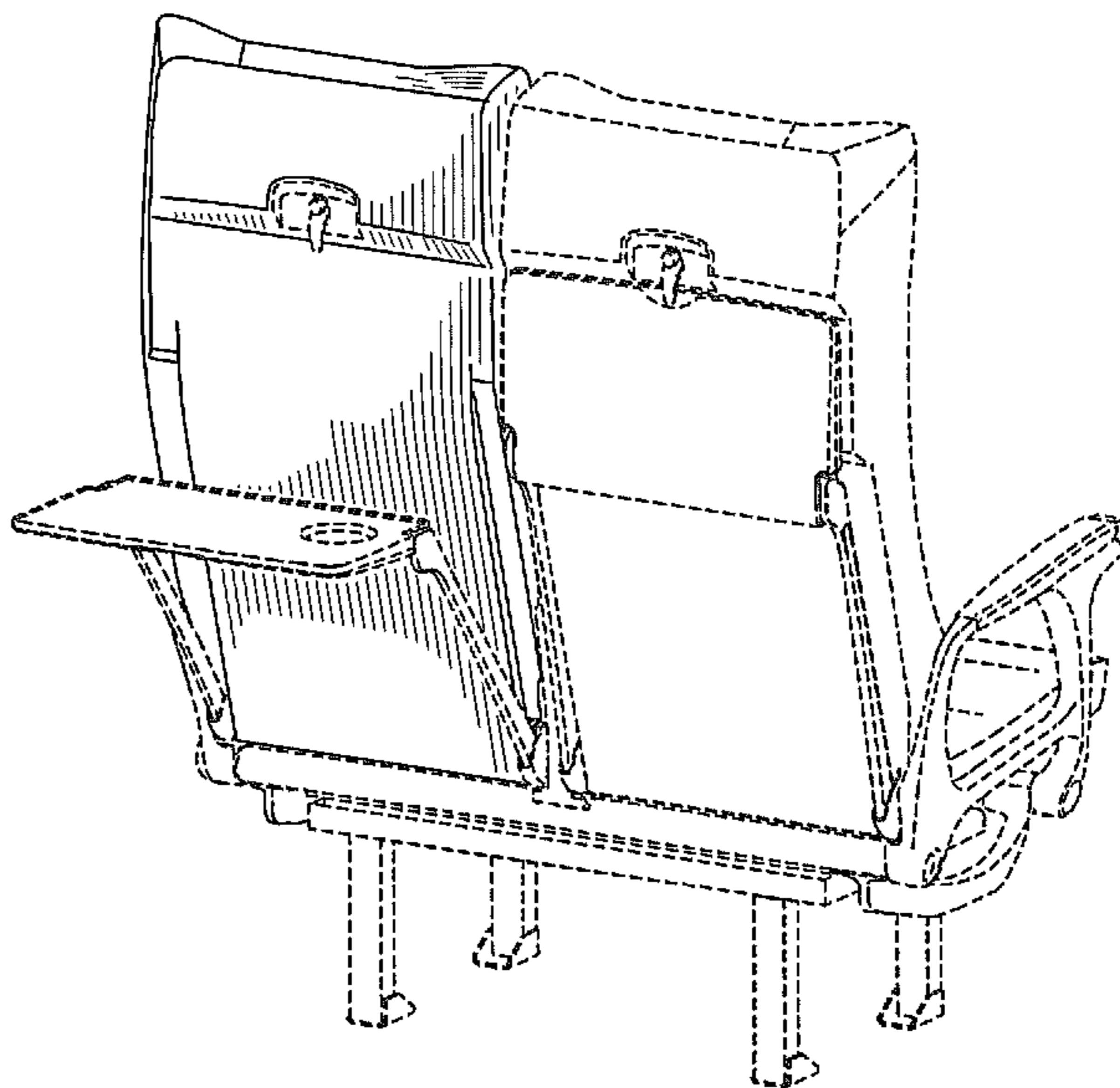
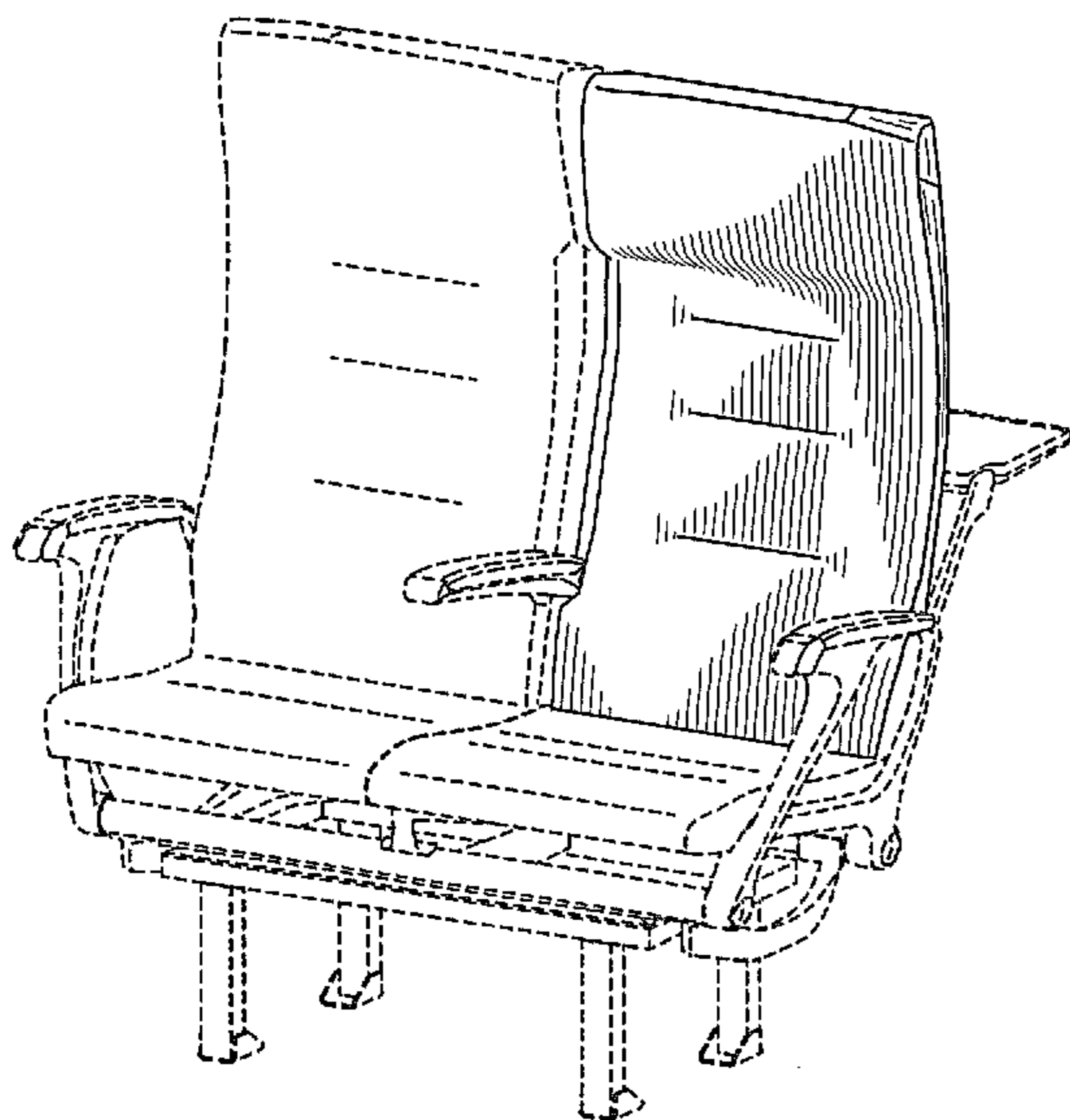


FIG. 1

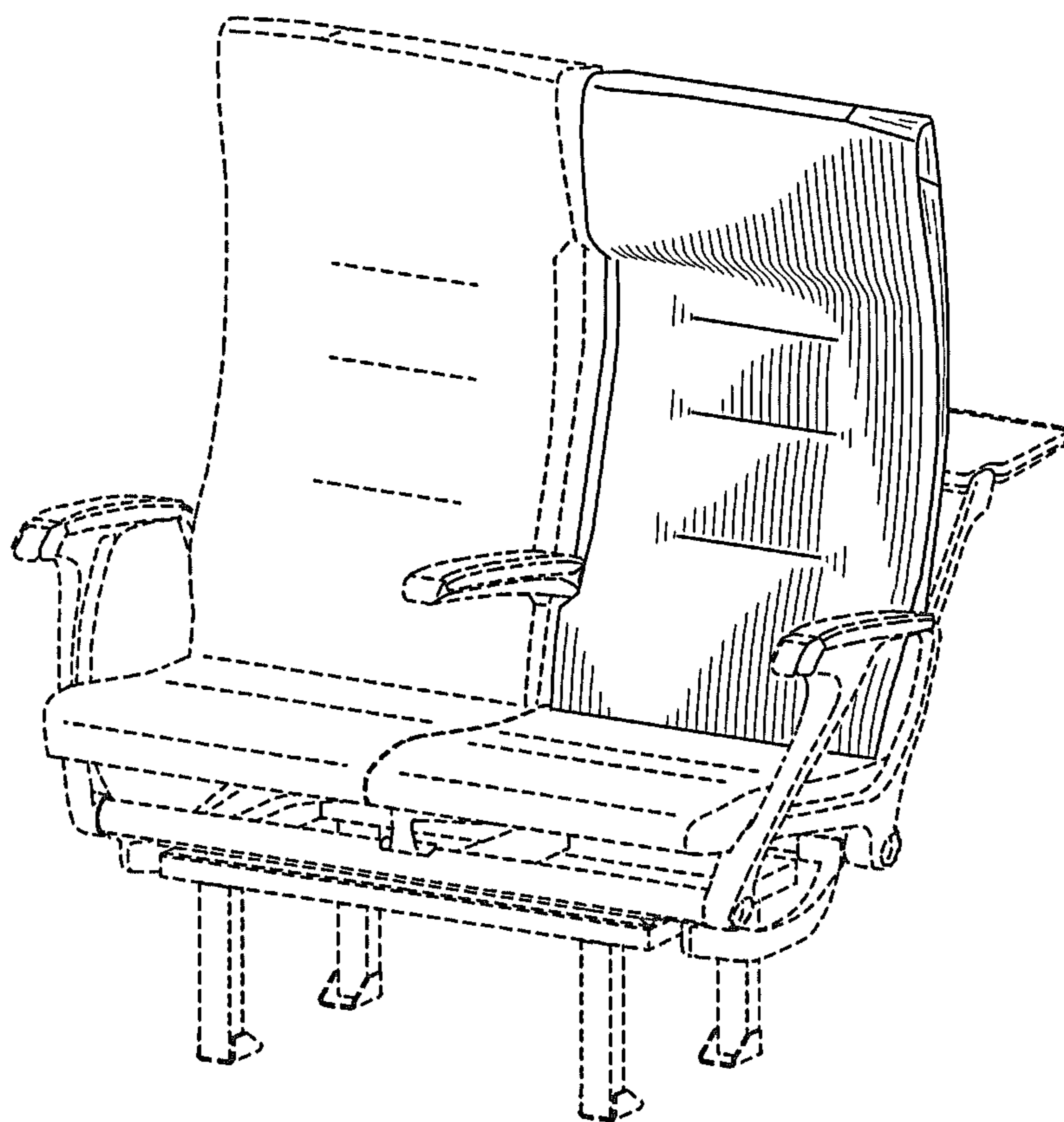


FIG. 2

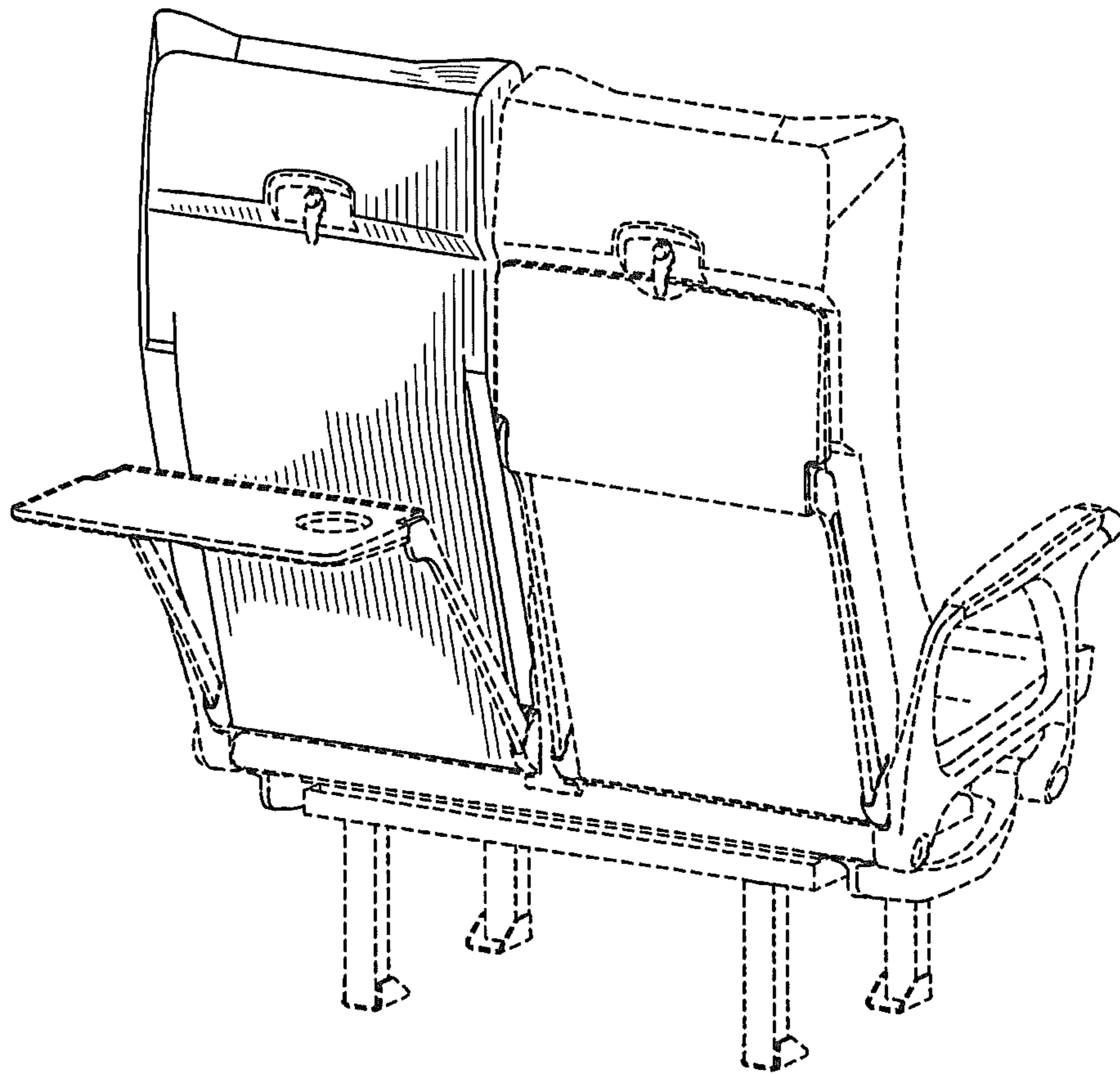


FIG. 3

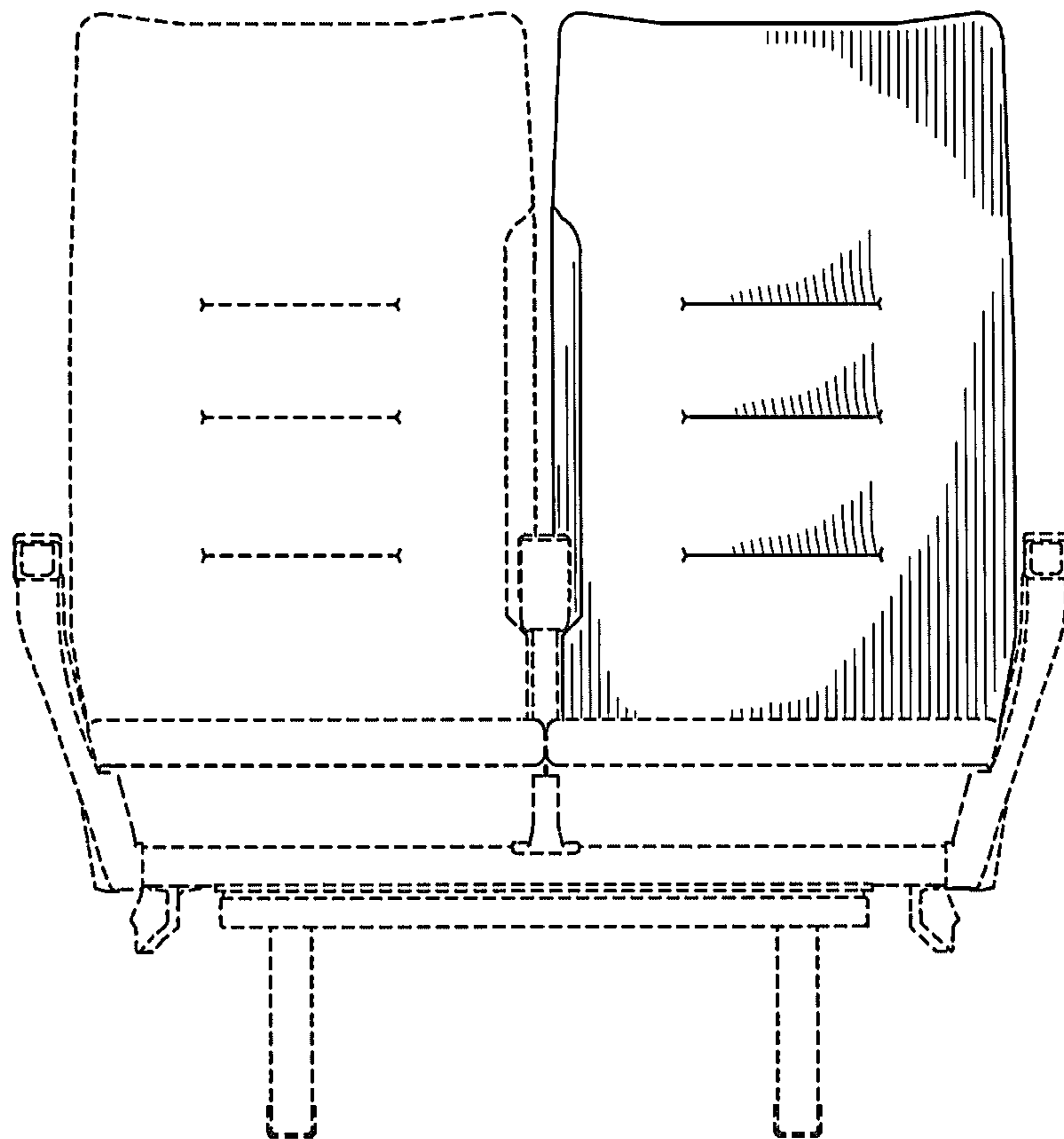


FIG. 4

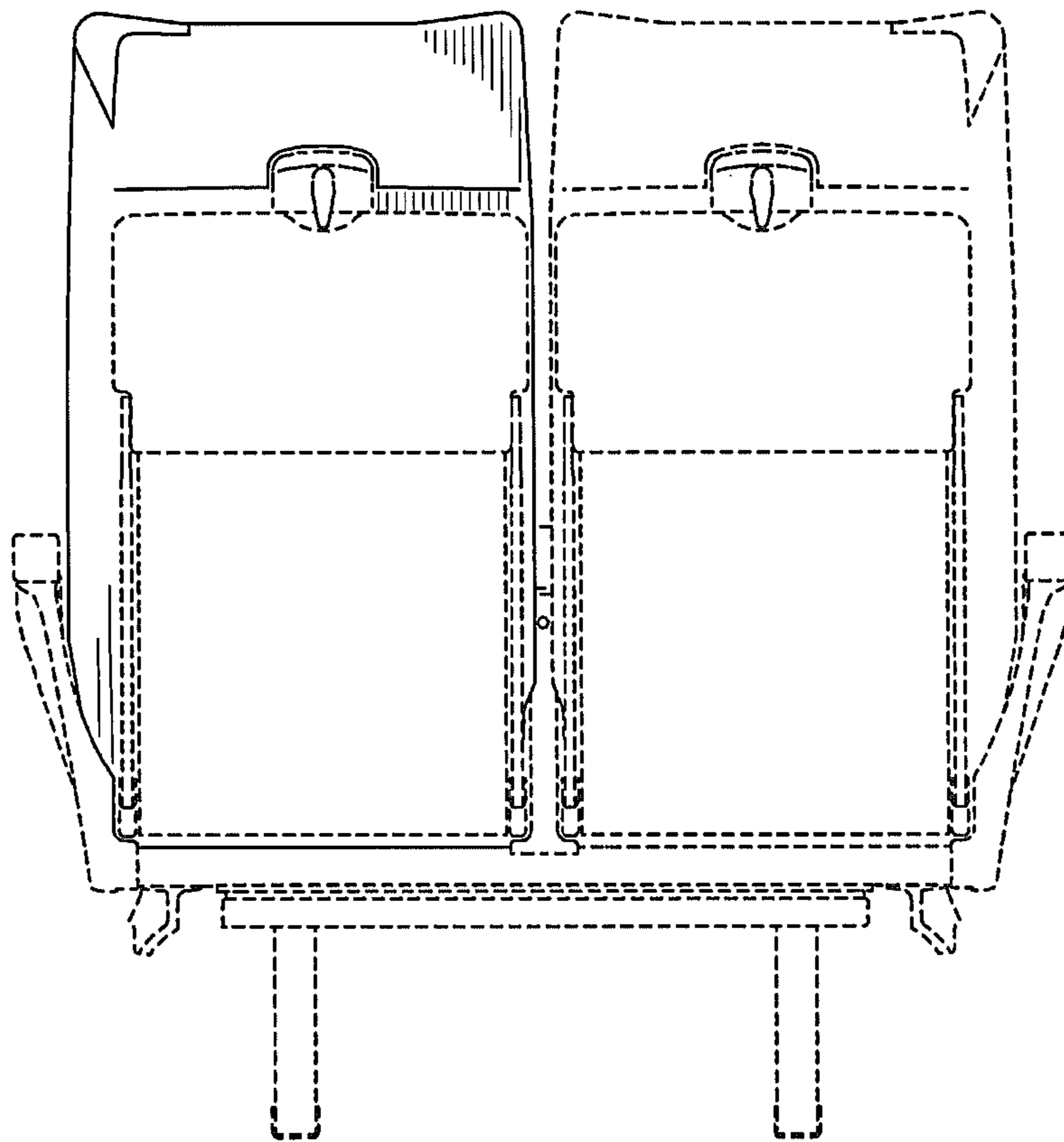


FIG. 5

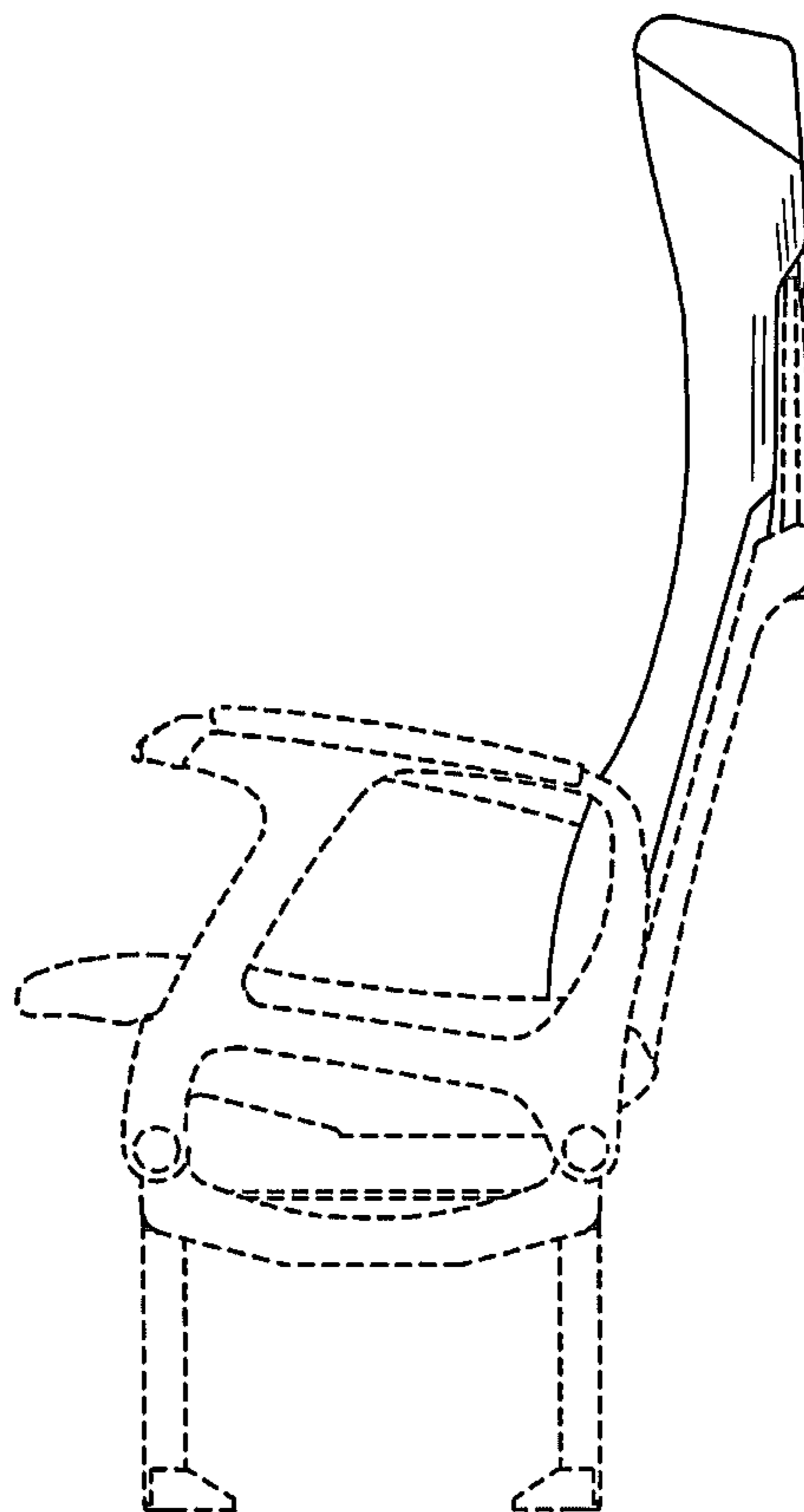


FIG. 6

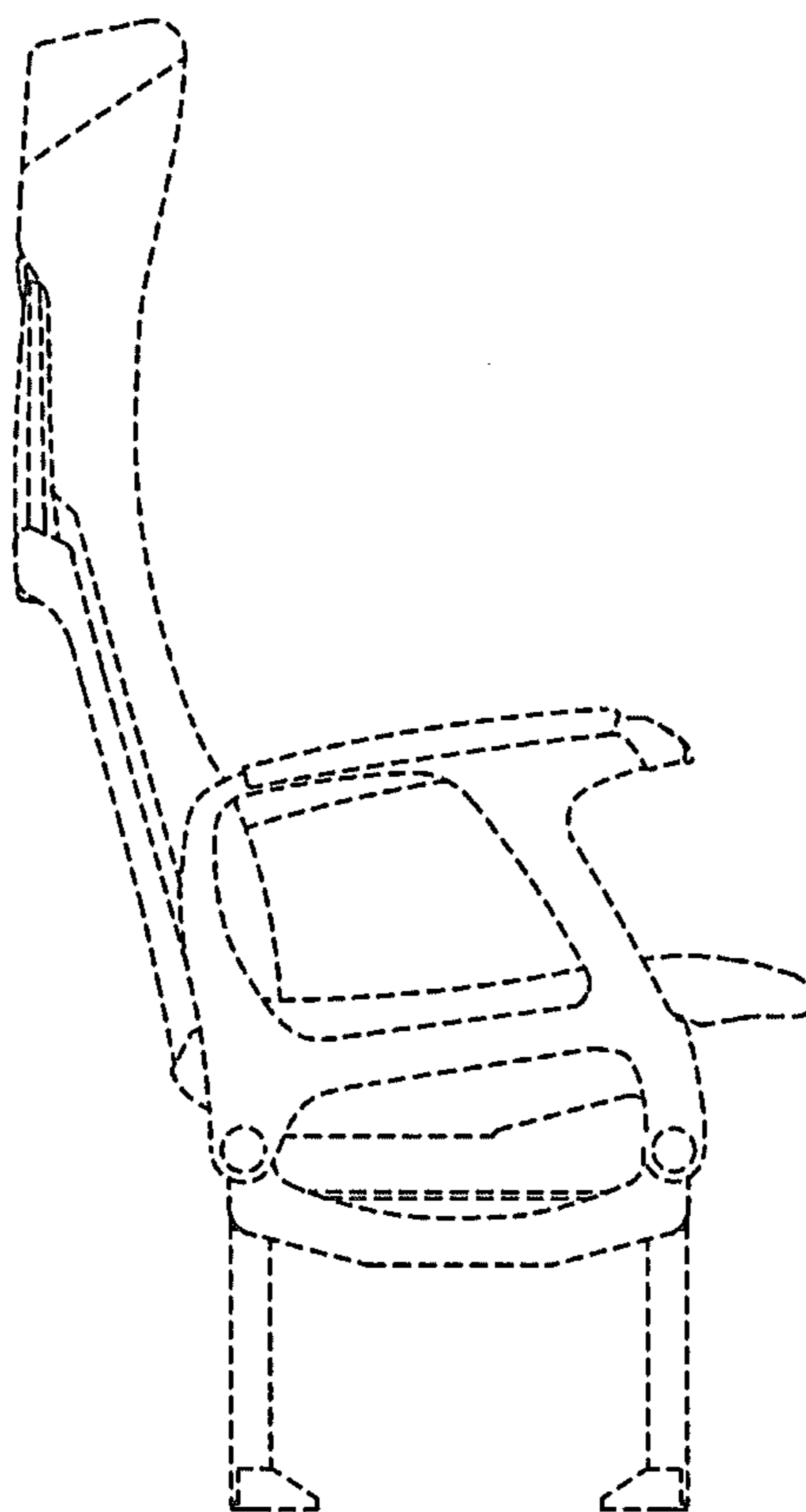


FIG. 7

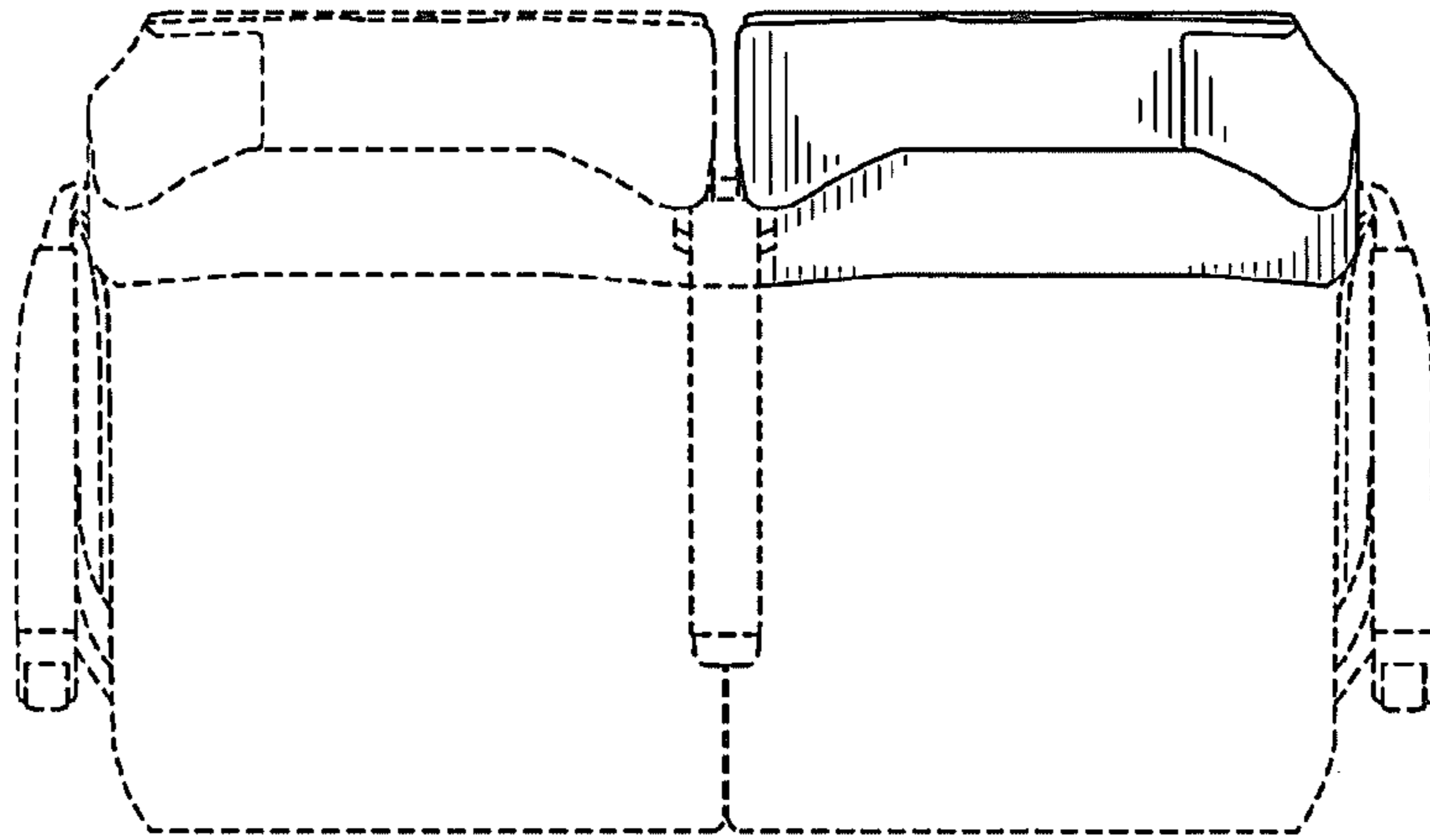


FIG. 8

