



US00D707996S

(12) **United States Design Patent**
Bongaerts et al.

(10) **Patent No.:** **US D707,996 S**

(45) **Date of Patent:** **** Jul. 1, 2014**

(54) **CHAIR FRAME**

(71) Applicant: **Beaufurn, LLC**, Advance, NC (US)

(72) Inventors: **William I. Bongaerts**, Winston-Salem, NC (US); **Philip Behrens**, Winston-Salem, NC (US)

(73) Assignee: **Beaufurn, LLC**, Advance, NC (US)

(**) Term: **14 Years**

(21) Appl. No.: **29/441,758**

(22) Filed: **Jan. 9, 2013**

(51) **LOC (10) Cl.** **06-01**

(52) **U.S. Cl.**
USPC **D6/716**

(58) **Field of Classification Search**
USPC D6/334–336, 370, 371, 372, 373, 374,
D6/375, 376, 379, 380, 716, 716.1, 716.2,
D6/716.3, 716.4; 297/239, 440.2, 440.22,
297/445.1, 446.1, 447.2, 448.1, 452.18
See application file for complete search history.

(56) **References Cited**

U.S. PATENT DOCUMENTS

3,203,731 A * 8/1965 Krueger 297/239
D204,451 S * 4/1966 Straits D6/379

3,556,592 A * 1/1971 Antoine 297/440.2
D560,384 S * 1/2008 Stauber D6/374
7,396,078 B2 * 7/2008 Weber et al. 297/239
D578,788 S * 10/2008 Ware D6/374
D580,673 S * 11/2008 Wright et al. D6/374
D636,195 S * 4/2011 Reyes et al. D6/374
D647,321 S * 10/2011 Garfinkle D6/380
D679,515 S * 4/2013 Hsu D6/374
2010/0066140 A1 * 3/2010 Ware 297/239
2012/0126596 A1 * 5/2012 Olarte 297/239

* cited by examiner

Primary Examiner — Mimoso De

(74) *Attorney, Agent, or Firm* — MacCord Mason PLLC

(57) **CLAIM**

The ornamental design for chair frame, as shown and described.

DESCRIPTION

FIG. 1 is a front perspective view of a chair frame showing my new design;

FIG. 2 is a front view thereof;

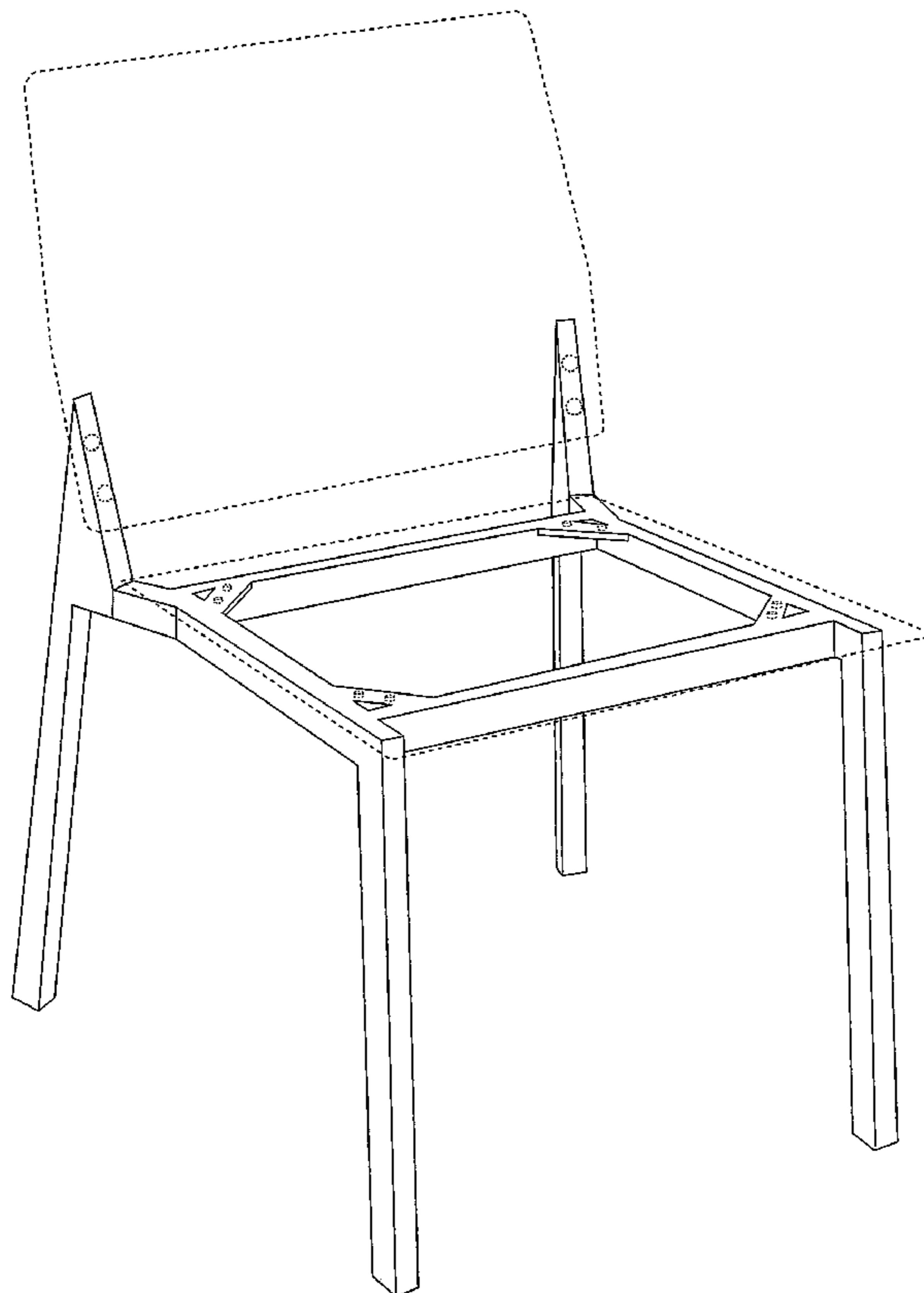
FIG. 3 is a back view thereof;

FIG. 4 is a side view, the opposite side being a mirror image thereof; and,

FIG. 5 is a top view thereof.

The broken lines shown in the drawing are for illustrative purposes only and form no part of the claimed design.

1 Claim, 5 Drawing Sheets



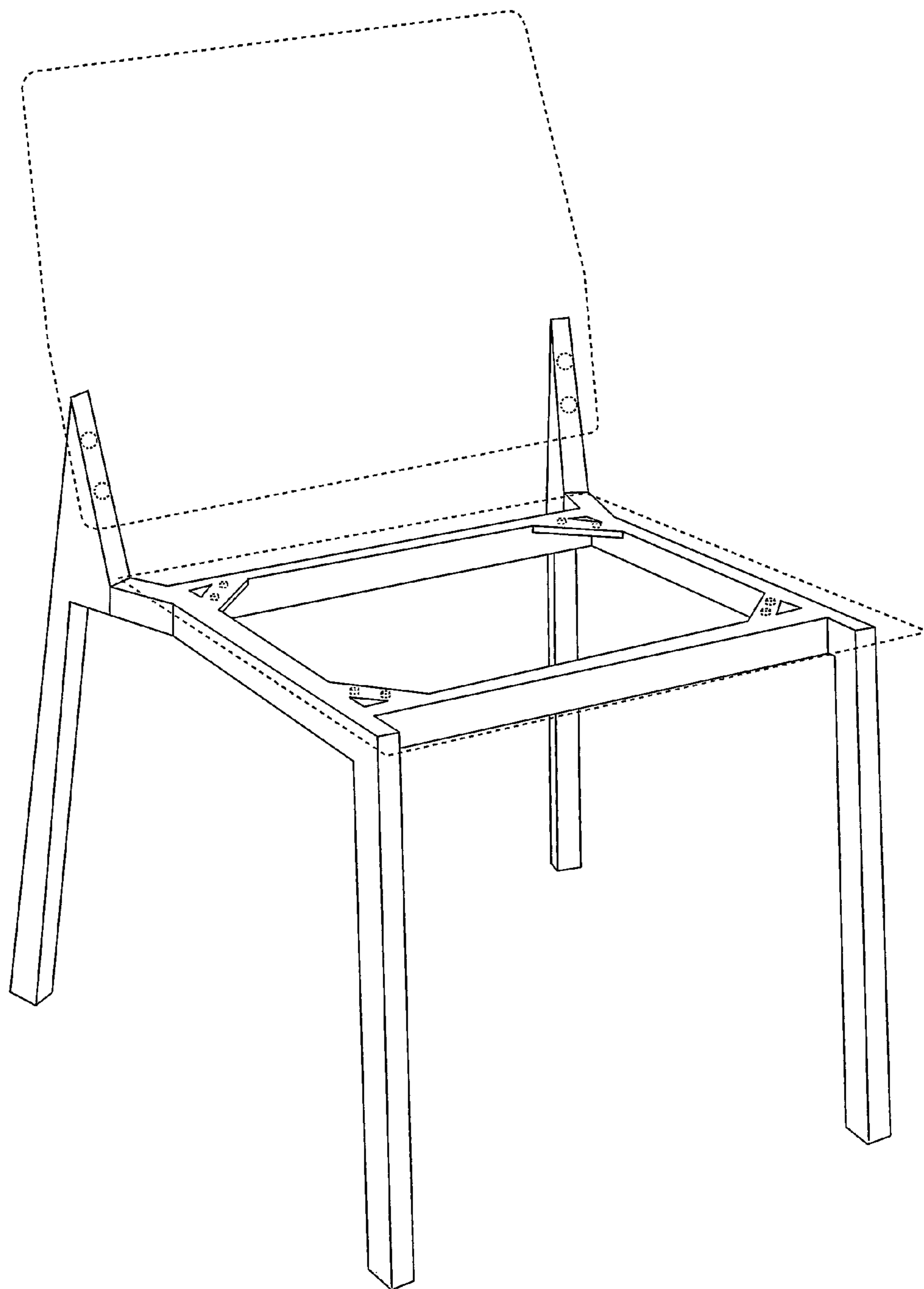


FIG. 1

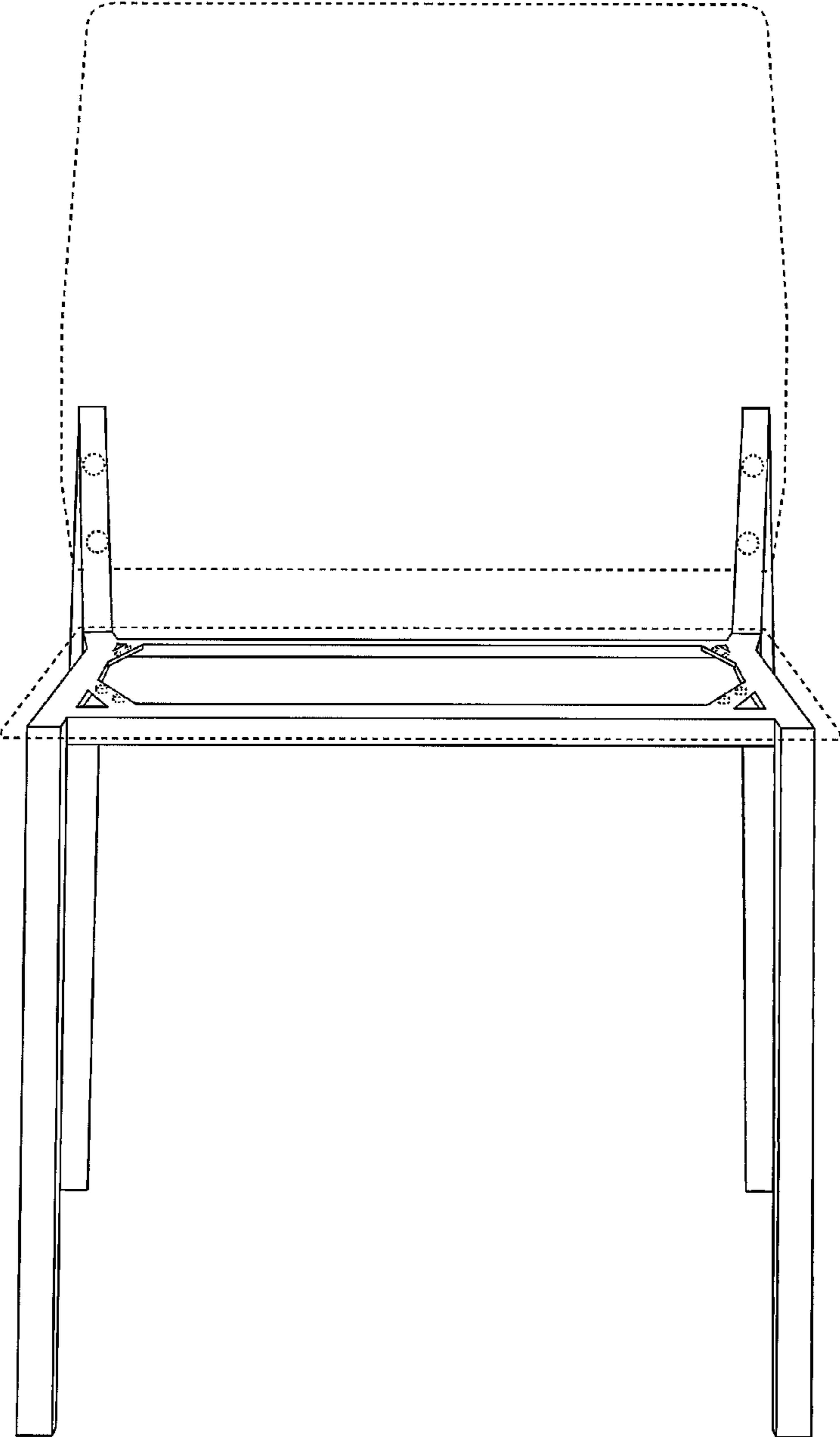


FIG. 2

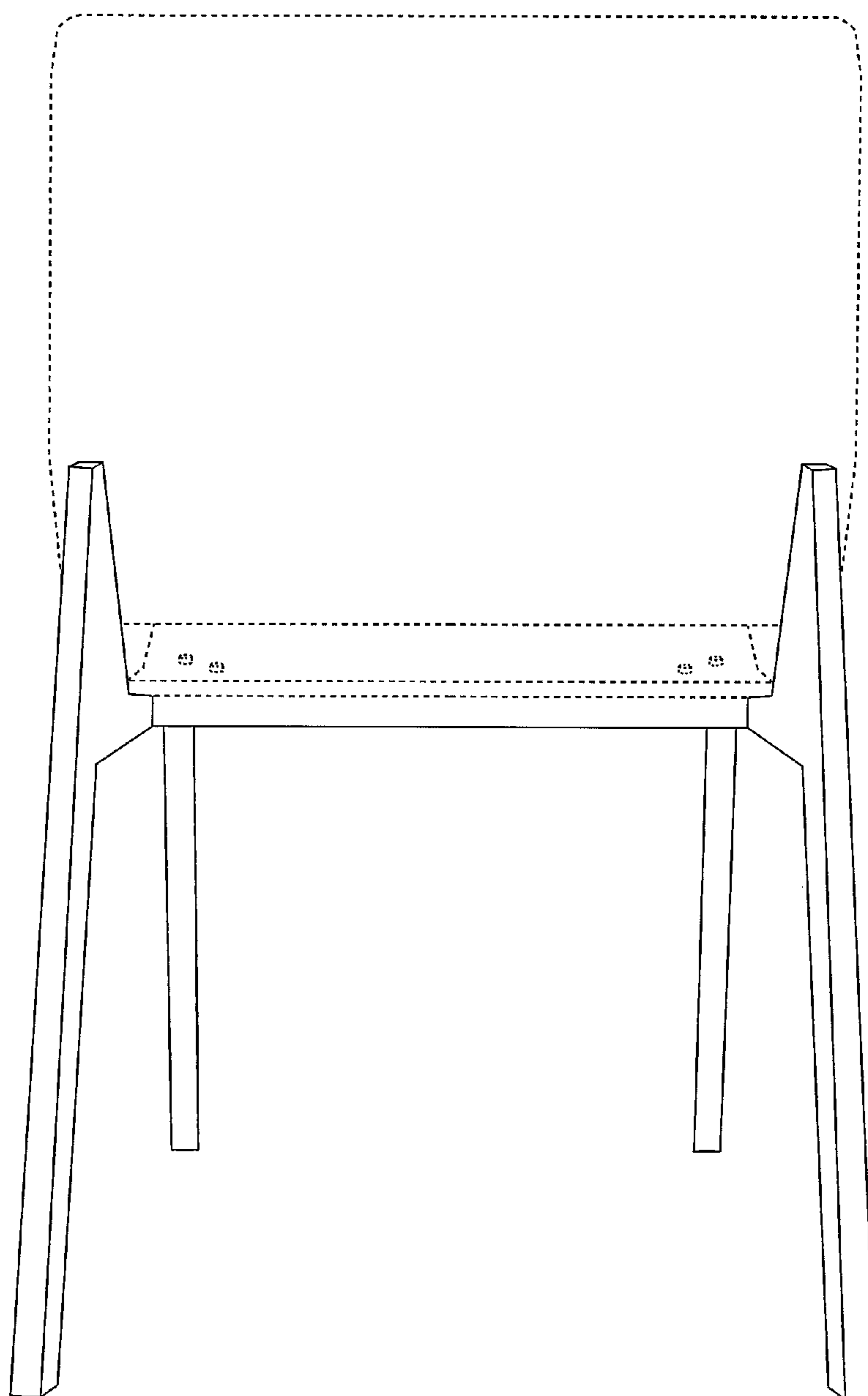


FIG. 3

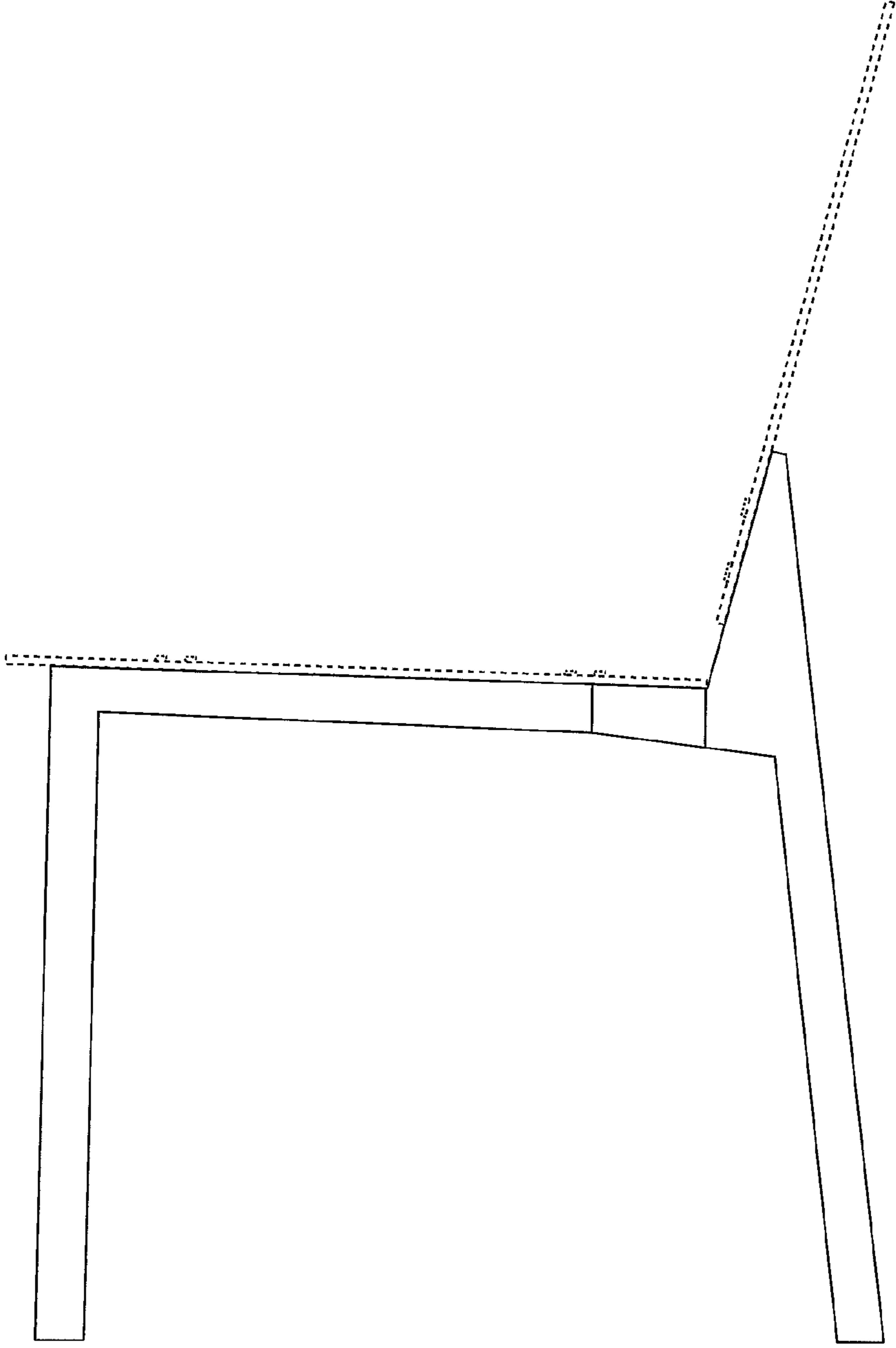


FIG. 4

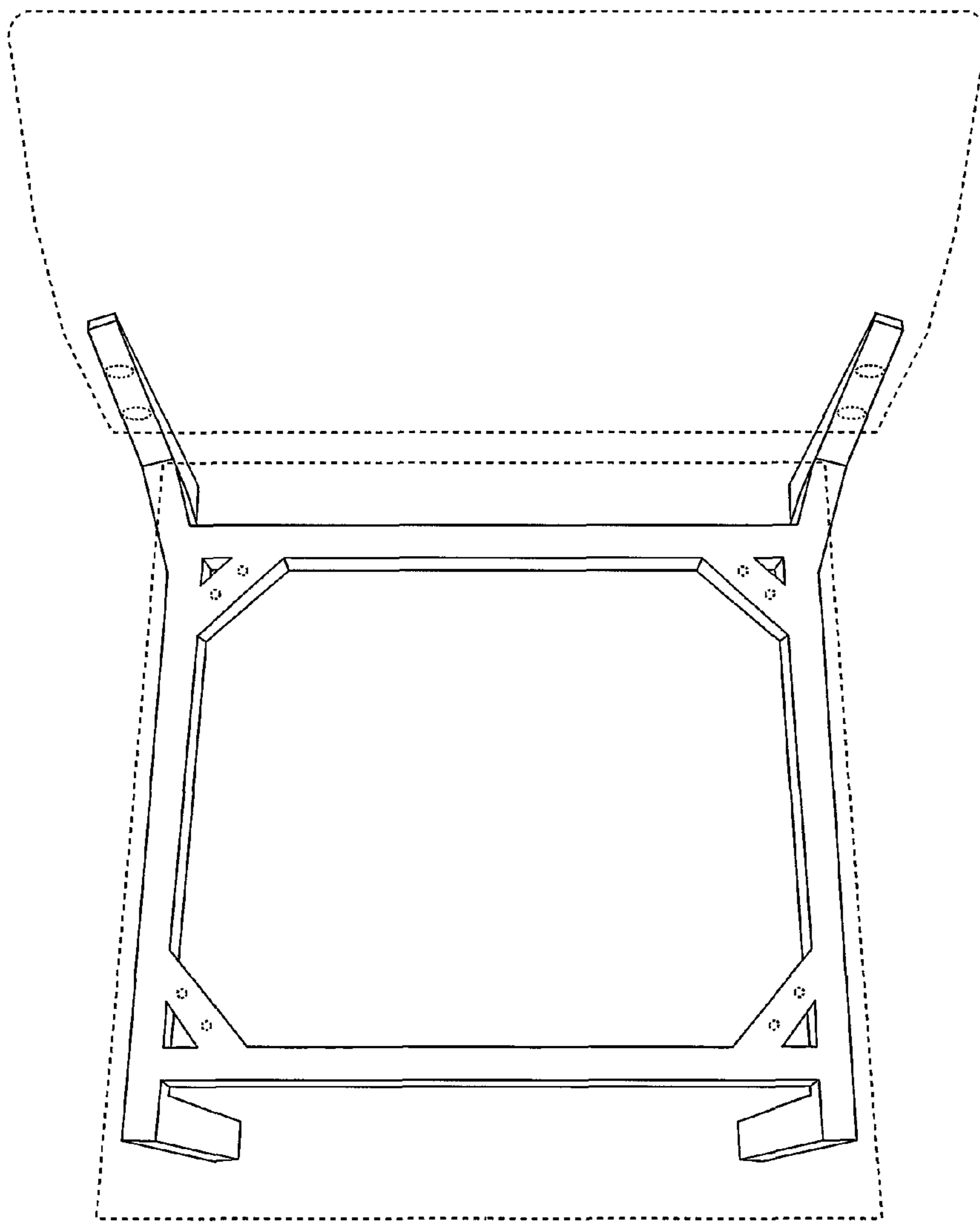


FIG. 5