



US00D707995S

(12) **United States Design Patent**
McEneaney et al.

(10) **Patent No.:** **US D707,995 S**
(45) **Date of Patent:** **** Jul. 1, 2014**

(54) **CHAIR**

(75) Inventors: **Patrick J. McEneaney**, Agoura Hills, CA (US); **Martti Johannes Lampela**, Woodland Hills, CA (US); **Bianca Fleischer**, Santa Monica, CA (US); **Jay R. Machael**, Muscatine, IA (US); **Evan T. Aschbrenner**, Muscatine, IA (US)

(73) Assignee: **HNI Technologies Inc.**, Muscatine, IA (US)

(*) Notice: This patent is subject to a terminal disclaimer.

(**) Term: **14 Years**

(21) Appl. No.: **29/422,685**

(22) Filed: **May 23, 2012**

(51) **LOC (10) Cl.** **06-01**

(52) **U.S. Cl.**
USPC **D6/716**

(58) **Field of Classification Search**
USPC D6/334-336, 344-353, 360-381, 388, D6/403, 491-502, 692, 708, 716, D6/716.2-716.4; 297/16.1, 22, 31, 35, 297/217.1, 228.12, 248, 256.16, 271.6, 297/284.4-284.5, 291, 297, 302.4, 321, 297/411.2, 411.27-411.29, 411.43, 423.1, 297/423.12, 440.11, 440.15, 297/440.21-440.24, 448.1, 451.4, 452.13, 297/452.19, 452.21, 452.27, 452.29, 452.3, 297/452.41, 452.56, 452.64

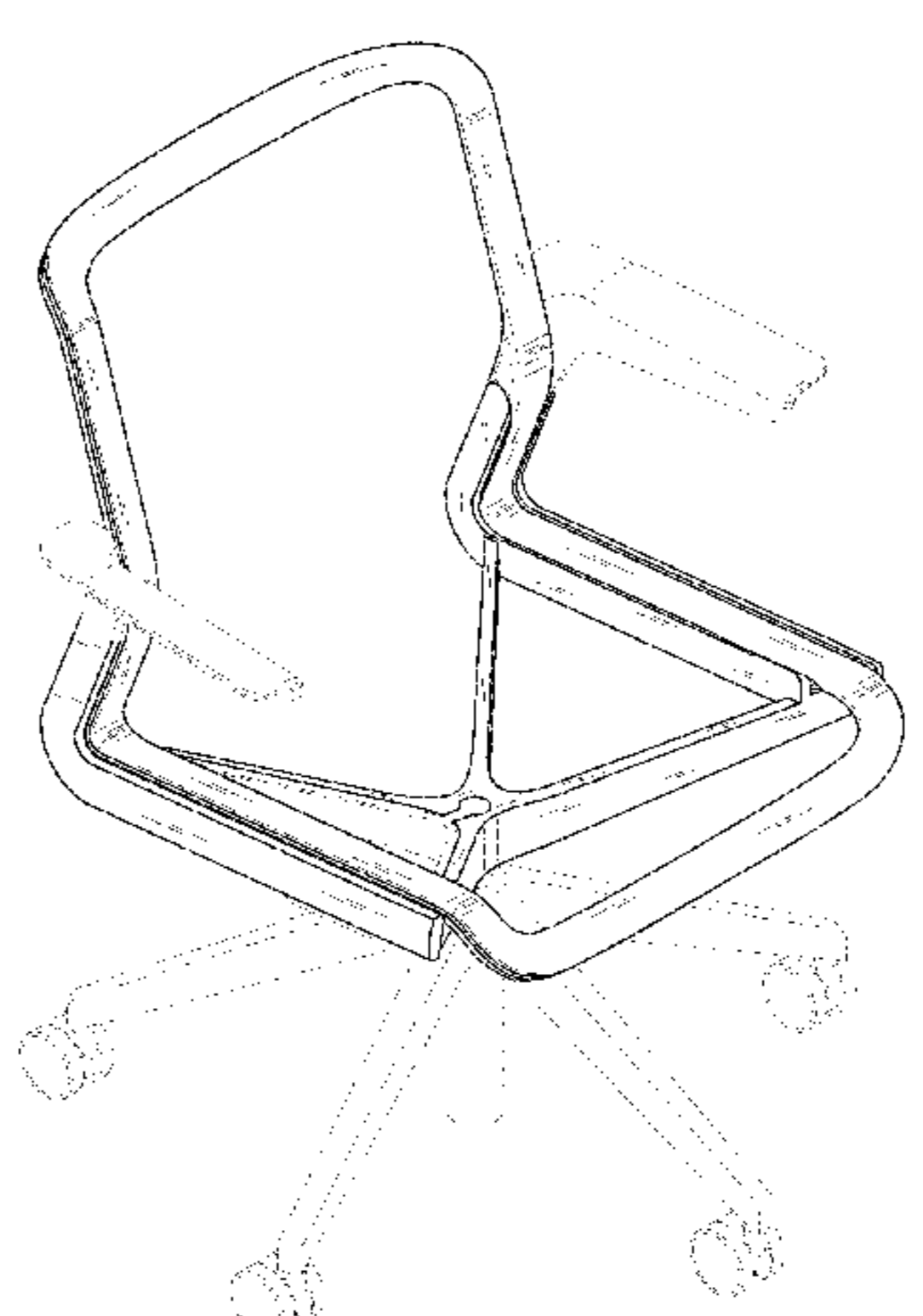
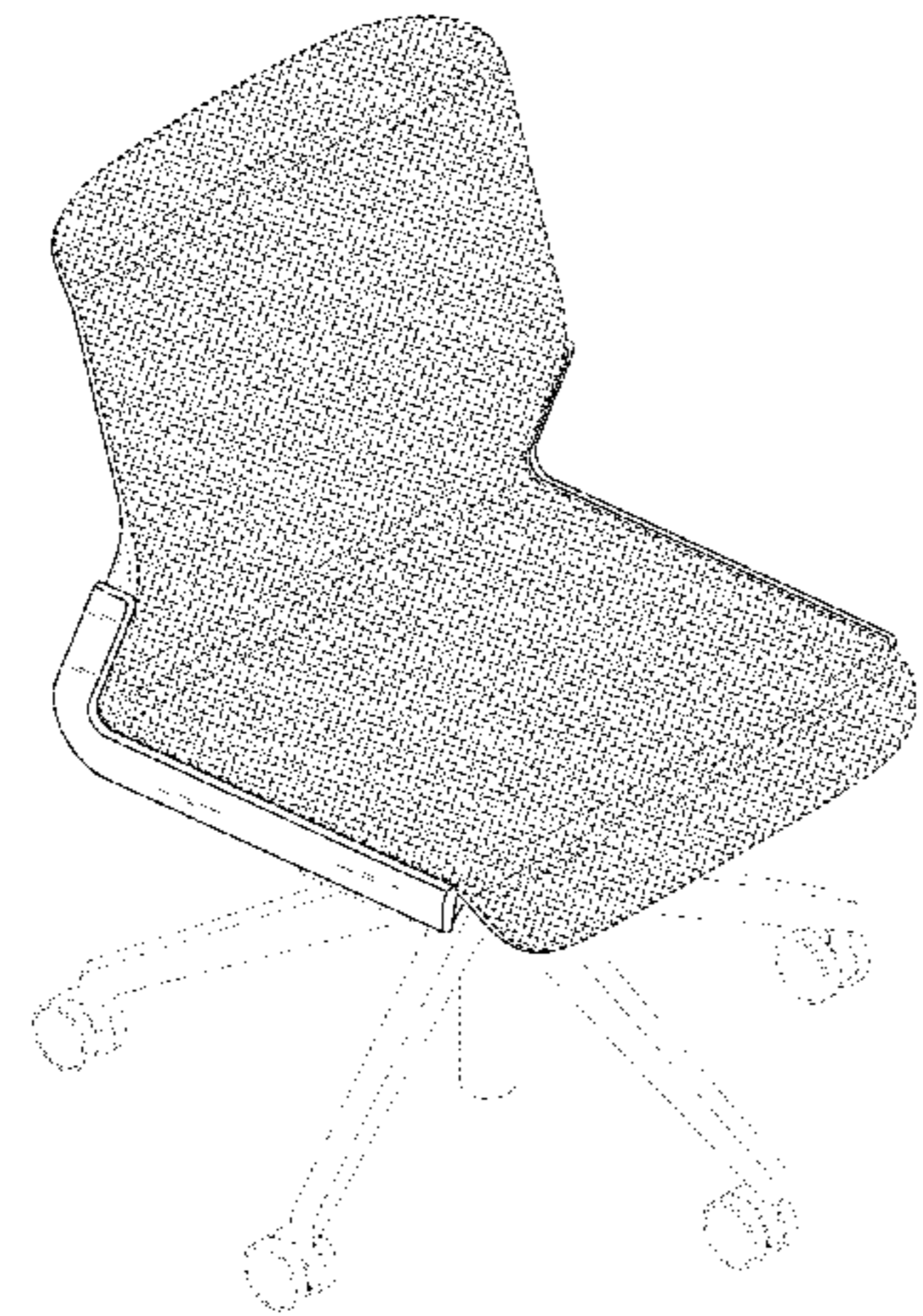
See application file for complete search history.

3,773,383 A	11/1973	Ekornes	
3,934,932 A	1/1976	Ekornes	
4,045,081 A	8/1977	Ueno	
4,084,850 A	4/1978	Ambasz	
4,157,203 A	6/1979	Ambasz	
4,251,107 A	2/1981	Sato	
4,547,017 A	10/1985	Lescure	
4,555,139 A	11/1985	Leib	
4,709,962 A	12/1987	Steinmann	
4,768,829 A	9/1988	Goldman	
4,880,273 A	11/1989	Markus	
4,979,778 A	12/1990	Shields	
4,981,326 A	1/1991	Heidmann	
4,984,846 A	1/1991	Ekornes	
5,005,905 A	4/1991	Sondergedl	
5,050,318 A	9/1991	Du Bruyn	
5,080,318 A	1/1992	Takamatsu et al.	
5,102,196 A	4/1992	Kaneda et al.	
5,244,252 A	9/1993	Serber	
5,251,958 A	10/1993	Roericht et al.	
5,303,978 A	4/1994	Murrey	
5,314,237 A	5/1994	Koepke et al.	
D351,510 S *	10/1994	Lucci et al.	D6/372
5,366,274 A	11/1994	Roericht et al.	
5,383,712 A	1/1995	Perry	
5,486,035 A	1/1996	Koepke et al.	
5,522,182 A	6/1996	Rogers	
5,558,399 A	9/1996	Serber	
5,597,203 A	1/1997	Hubbard	
5,611,598 A	3/1997	Knoblock	
5,660,439 A	8/1997	Unwalla	
5,725,277 A	3/1998	Knoblock	
5,735,574 A	4/1998	Serber	
5,785,384 A	7/1998	Sagstuen	
5,806,930 A	9/1998	Knoblock	
5,810,438 A	9/1998	Newhouse	
5,909,923 A	6/1999	DeKraker	
5,957,534 A	9/1999	Wilkerson et al.	
5,979,984 A	11/1999	DeKraker et al.	
6,050,642 A	4/2000	Erb	
D423,805 S *	5/2000	Olson	D6/373
6,056,361 A	5/2000	Cvek	
6,070,937 A	6/2000	Ginat	
6,086,153 A	7/2000	Heidmann et al.	
6,109,694 A	8/2000	Kurtz	
6,109,696 A	8/2000	Newhouse et al.	
6,238,000 B1	5/2001	Hallmark et al.	
6,257,665 B1	7/2001	Nagamitsu et al.	
6,435,615 B1	8/2002	Zapf	
D462,846 S *	9/2002	Gasca Burges	D6/366
6,515,931 B2	2/2003	Marr et al.	
6,533,352 B1	3/2003	Glass et al.	
6,554,360 B1	4/2003	Wilke et al.	

(56) **References Cited**

U.S. PATENT DOCUMENTS

809,944 A	1/1906	Hanger	
2,807,310 A	9/1957	Sellner	
2,921,622 A	1/1960	Henrickson et al.	
3,041,109 A	6/1962	Eames et al.	
3,393,941 A	7/1968	Grossfillex	
D215,837 S *	11/1969	Stephens	D6/375



D476,820	S *	7/2003	Nagamitsu	D6/366
6,634,717	B2	10/2003	Kown	
6,641,214	B2	11/2003	Veneruso	
6,695,404	B2	2/2004	Bruske	
6,722,735	B2	4/2004	Lucci et al.	
6,739,663	B2	5/2004	Gevaert	
6,739,665	B1	5/2004	Leib et al.	
6,779,846	B2	8/2004	Spendlove et al.	
6,786,548	B2	9/2004	Pearce et al.	
6,863,346	B2	3/2005	Zund	
6,923,503	B2	8/2005	Sangiorgio	
6,935,690	B2	8/2005	Lucci et al.	
D509,969	S *	9/2005	Loew et al.	D6/366
6,945,602	B2	9/2005	Fookes et al.	
D513,457	S *	1/2006	Asano et al.	D6/380
6,986,549	B2	1/2006	Kniese	
7,004,543	B2	2/2006	Caruso et al.	
D518,304	S *	4/2006	Crescenti	D6/373
7,073,860	B2	7/2006	Markus	
7,073,864	B2	7/2006	Olsen	
7,114,777	B2	10/2006	Knoblock et al.	
7,114,782	B2	10/2006	Ambasz	
7,118,177	B2	10/2006	Piretti	
D535,126	S *	1/2007	Loew et al.	D6/500
7,159,937	B2	1/2007	Williamson et al.	
D536,890	S *	2/2007	Loew et al.	D6/366
D543,385	S *	5/2007	Loew et al.	D6/500
7,234,774	B2	6/2007	Heidmann et al.	
7,267,405	B2	9/2007	Tin	
D552,368	S *	10/2007	Scheper et al.	D6/375
D557,917	S *	12/2007	Nakamura et al.	D6/366
7,334,842	B1	2/2008	Wu et al.	
7,360,835	B2	4/2008	Tubergen et al.	
7,472,962	B2	1/2009	Caruso et al.	
7,484,803	B2	2/2009	Dozsa-Farkas	
D599,126	S *	9/2009	Chen et al.	D6/366
7,611,202	B2	11/2009	Johnson et al.	
7,621,600	B2	11/2009	Buchbinder	
D612,175	S *	3/2010	Kubryk	D6/500
7,686,395	B2	3/2010	Piretti	
7,695,067	B2	4/2010	Goetz et al.	
D623,879	S *	9/2010	Kubryk	D6/500
D628,831	S *	12/2010	Schmitz et al.	D6/502
D637,839	S *	5/2011	Piretti	D6/500
7,997,652	B2	8/2011	Roslund et al.	
D646,092	S *	10/2011	Romero	D6/502
D648,143	S *	11/2011	Lambert et al.	D6/334
D648,147	S *	11/2011	Izawa	D6/366
D648,968	S *	11/2011	Piretti et al.	D6/502
8,061,775	B2	11/2011	Diffrient	
D650,616	S *	12/2011	Piretti	D6/500
D653,871	S *	2/2012	Jakobsen et al.	D6/368
D654,280	S *	2/2012	Fujita	D6/366
D654,286	S *	2/2012	Gasca Burges	D6/380
D656,329	S *	3/2012	Nakamura et al.	D6/366
D660,056	S *	5/2012	Diffrient	D6/500
D661,135	S *	6/2012	Diffrient	D6/501
D663,976	S *	7/2012	Kubryk	D6/500
D666,841	S *	9/2012	Czumaj-Bront et al.	D6/366
D669,278	S *	10/2012	Kumazawa	D6/373
D671,330	S *	11/2012	Izawa	D6/366
D673,395	S *	1/2013	Piretti	D6/376
D673,396	S *	1/2013	Piretti	D6/376
D675,463	S *	2/2013	Collinson et al.	D6/366
8,414,073	B2 *	4/2013	Schmitz et al.	297/321
D685,598	S *	7/2013	Hori et al.	D6/716.4
D687,642	S *	8/2013	Hsuan-Chin	D6/376
D688,482	S *	8/2013	Choi	D6/366
2001/0030457	A1 *	10/2001	Gregory	297/440.11
2002/0117883	A1 *	8/2002	Gevaert	297/291
2003/0080595	A1 *	5/2003	Wilkerson et al.	297/300.2
2004/0245840	A1 *	12/2004	Tubergen et al.	297/452.63
2005/0001461	A1 *	1/2005	Caruso et al.	297/258.1
2005/0001464	A1 *	1/2005	Caruso et al.	297/452.14
2005/0161990	A1 *	7/2005	Piretti	297/285
2005/0258678	A1 *	11/2005	Wilkerson et al.	297/337
2006/0022506	A1 *	2/2006	Chan	297/452.63
2006/0103222	A1 *	5/2006	Caruso et al.	297/452.15
2006/0202530	A1	9/2006	Lin	

2006/0244294	A1 *	11/2006	Dozsa-Farkas	297/300.2
2007/0001497	A1 *	1/2007	Diffrient	297/321
2007/0063563	A1	3/2007	Maze et al.	
2008/0272636	A1	11/2008	Machael et al.	
2009/0102268	A1	4/2009	Schmitz et al.	
2009/0152930	A1	6/2009	Diffrient	
2009/0195040	A1	8/2009	Birkbeck	
2013/0313883	A1	11/2013	Machael et al.	

FOREIGN PATENT DOCUMENTS

AU	2006347298	A1	2/2008
CA	2659248	A1	2/2008
DE	810177	C	5/1951
DE	2359440	A1	6/1974
DE	3313677	C2	10/1984
DE	3907206	A1	9/1990
DE	29601935	U1	3/1996
EP	0096273	A2	12/1983
EP	0559185	A1	9/1993
EP	1327400	A2	7/2003
GB	2041735	A	9/1980
GB	2429405	A	2/2007
WO	W02008020824	A2	2/2008

* cited by examiner

OTHER PUBLICATIONS

International Search Report and Written Opinion issued in PCT/US2013/042044, Jul. 23, 2013, 12 pages.

Primary Examiner — Ricky Pham
(74) *Attorney, Agent, or Firm* — Faegre Baker Daniels LLP

(57) **CLAIM**

The ornamental design for a chair, as shown and described.

DESCRIPTION

FIG. 1 is an isometric view of an embodiment of a chair from a first, top perspective;
 FIG. 2 is an isometric view of the embodiment of FIG. 1 from a second, bottom perspective.
 FIG. 3 is a front view of the embodiment of FIG. 1;
 FIG. 4 is a back view of the embodiment of FIG. 1;
 FIG. 5 is a right side view of the embodiment of FIG. 1;
 FIG. 6 is a left side view of the embodiment of FIG. 1;
 FIG. 7 is a top view of the embodiment of FIG. 1;
 FIG. 8 is a bottom view of the embodiment of FIG. 1;
 The broken lines showing the outline of the mesh seat in FIGS. 1 to 8 designate a boundary of claimed subject matter, such that the mesh seat does not form part of the claimed design and is for illustrative purposes only. The remaining, broken lines shown in FIGS. 1 to 8 are also for illustrative purposes only and form no part of the claimed design.
 FIG. 9 is an isometric view of the embodiment of FIG. 1 from a first, top perspective with the mesh seat not shown;
 FIG. 10 is an isometric view of the embodiment of FIG. 9 from a second, bottom perspective.
 FIG. 11 is a front view of the embodiment of FIG. 9;
 FIG. 12 is a back view of the embodiment of FIG. 9;
 FIG. 13 is a right side view of the embodiment of FIG. 9;
 FIG. 14 is a left side view of the embodiment of FIG. 9;
 FIG. 15 is a top view of the embodiment of FIG. 9;
 FIG. 16 is a bottom view of the embodiment of FIG. 9;
 The broken lines shown in FIGS. 9 to 16 are for illustrative purposes only and form no part of the claimed design.
 FIG. 17 is an isometric view of a second embodiment of a chair from a first, top perspective;

FIG. 18 is an isometric view of the embodiment of FIG. 17 from a second, bottom perspective.

FIG. 19 is a front view of the embodiment of FIG. 17;

FIG. 20 is a back view of the embodiment of FIG. 17;

FIG. 21 is a right side view of the embodiment of FIG. 17;

FIG. 22 is a left side view of the embodiment of FIG. 17;

FIG. 23 is a top view of the embodiment of FIG. 17;

FIG. 24 is a bottom view of the embodiment of FIG. 17;

The broken lines showing the outline of the mesh seat in FIGS. 17 to 24 designate a boundary of claimed subject matter, such that the mesh seat does not form part of the claimed design and is for illustrative purposes only. The remaining, broken lines shown in FIGS. 17 to 24 are also for illustrative purposes only and form no part of the claimed design.

FIG. 25 is an isometric view of the embodiment of FIG. 17 from a first, top perspective with the mesh seat not shown;

FIG. 26 is an isometric view of the embodiment of FIG. 25 from a second, bottom perspective.

FIG. 27 is a front view of the embodiment of FIG. 25;

FIG. 28 is a back view of the embodiment of FIG. 25;

FIG. 29 is a right side view of the embodiment of FIG. 25;

FIG. 30 is a left side view of the embodiment of FIG. 25;

FIG. 31 is a top view of the embodiment of FIG. 25;

FIG. 32 is a bottom view of the embodiment of FIG. 25;

The broken lines shown in FIGS. 25 to 32 are for illustrative purposes only and form no part of the claimed design.

FIG. 33 is an isometric view of a third embodiment of a chair from a first, top perspective;

FIG. 34 is an isometric view of the embodiment of FIG. 33 from a second, bottom perspective.

FIG. 35 is a front view of the embodiment of FIG. 33;

FIG. 36 is a back view of the embodiment of FIG. 33;

FIG. 37 is a right side view of the embodiment of FIG. 33;

FIG. 38 is a left side view of the embodiment of FIG. 33;

FIG. 39 is a top view of the embodiment of FIG. 33;

FIG. 40 is a bottom view of the embodiment of FIG. 33;

The broken lines showing the outline of the mesh seat in FIGS. 33 to 40 designate a boundary of claimed subject matter, such that the mesh seat does not form part of the claimed design and is for illustrative purposes only. The remaining, broken lines shown in FIGS. 33 to 40 are also for illustrative purposes only and form no part of the claimed design.

FIG. 41 is an isometric view of the embodiment of FIG. 33 from a first, top perspective with the mesh seat not shown;

FIG. 42 is an isometric view of the embodiment of FIG. 41 from a second, bottom perspective.

FIG. 43 is a front view of the embodiment of FIG. 41;

FIG. 44 is a back view of the embodiment of FIG. 41;

FIG. 45 is a right side view of the embodiment of FIG. 41;

FIG. 46 is a left side view of the embodiment of FIG. 41;

FIG. 47 is a top view of the embodiment of FIG. 41;

FIG. 48 is a bottom view of the embodiment of FIG. 41;

The broken lines shown in FIGS. 41 to 48 are for illustrative purposes only and form no part of the claimed design.

FIG. 49 is an isometric view of a fourth embodiment of a chair from a first, top perspective;

FIG. 50 is an isometric view of the embodiment of FIG. 49 from a second, bottom perspective.

FIG. 51 is a front view of the embodiment of FIG. 49;

FIG. 52 is a back view of the embodiment of FIG. 49;

FIG. 53 is a right side view of the embodiment of FIG. 49;

FIG. 54 is a left side view of the embodiment of FIG. 49;

FIG. 55 is a top view of the embodiment of FIG. 49;

FIG. 56 is a bottom view of the embodiment of FIG. 49;

The broken lines showing the outline of the mesh seat in FIGS. 49 to 56 designate a boundary of claimed subject matter, such that the mesh seat does not form part of the claimed design and is for illustrative purposes only. The remaining, broken lines shown in FIGS. 49 to 56 are also for illustrative purposes only and form no part of the claimed design.

FIG. 57 is an isometric view of the embodiment of FIG. 49 from a first, top perspective with the mesh seat not shown;

FIG. 58 is an isometric view of the embodiment of FIG. 57 from a second, bottom perspective.

FIG. 59 is a front view of the embodiment of FIG. 57;

FIG. 60 is a back view of the embodiment of FIG. 57;

FIG. 61 is a right side view of the embodiment of FIG. 57;

FIG. 62 is a left side view of the embodiment of FIG. 57;

FIG. 63 is a top view of the embodiment of FIG. 57; and,

FIG. 64 is a bottom view of the embodiment of FIG. 57.

The broken lines shown in FIGS. 57 to 64 are for illustrative purposes only and form no part of the claimed design.

1 Claim, 64 Drawing Sheets

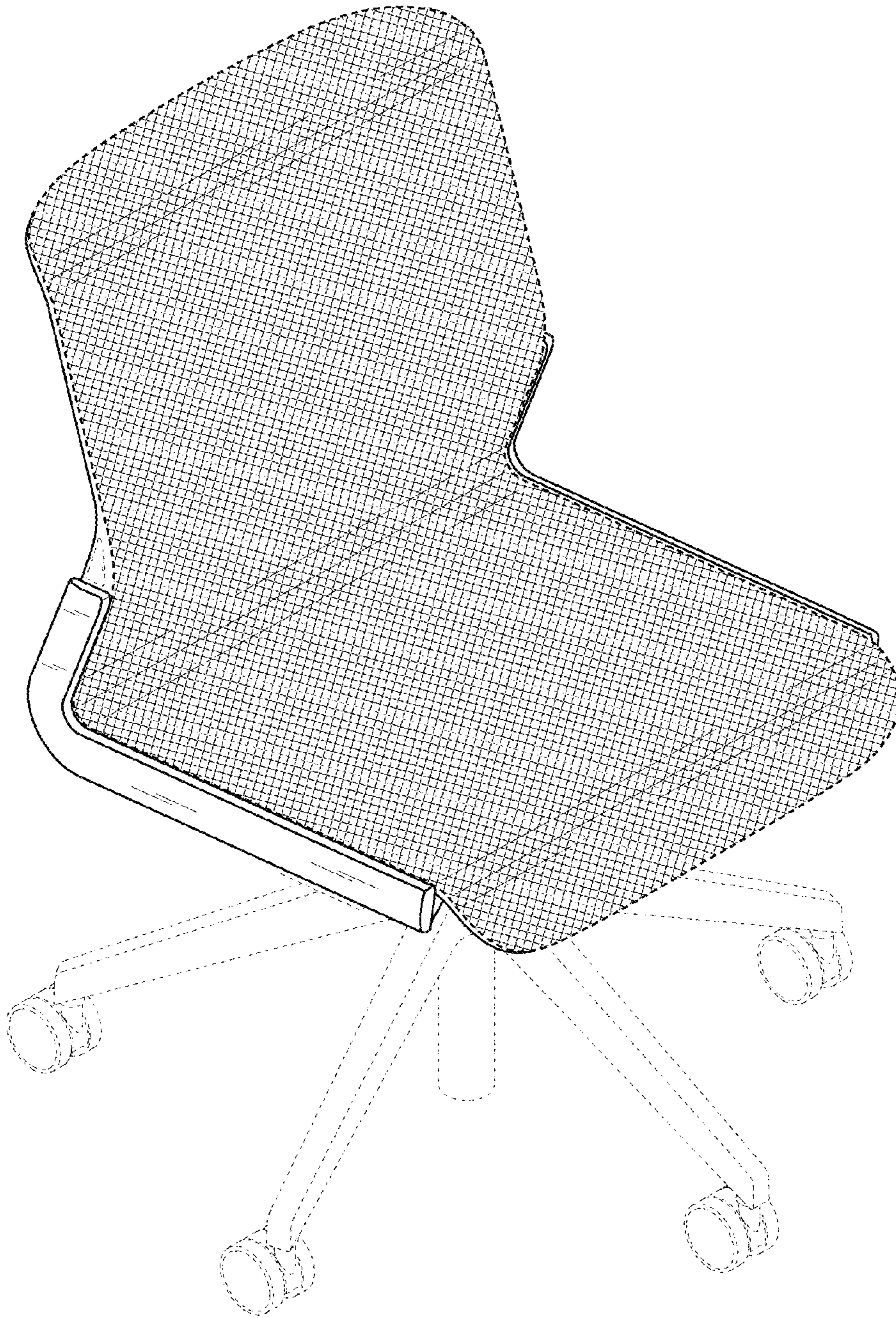


Fig. 1

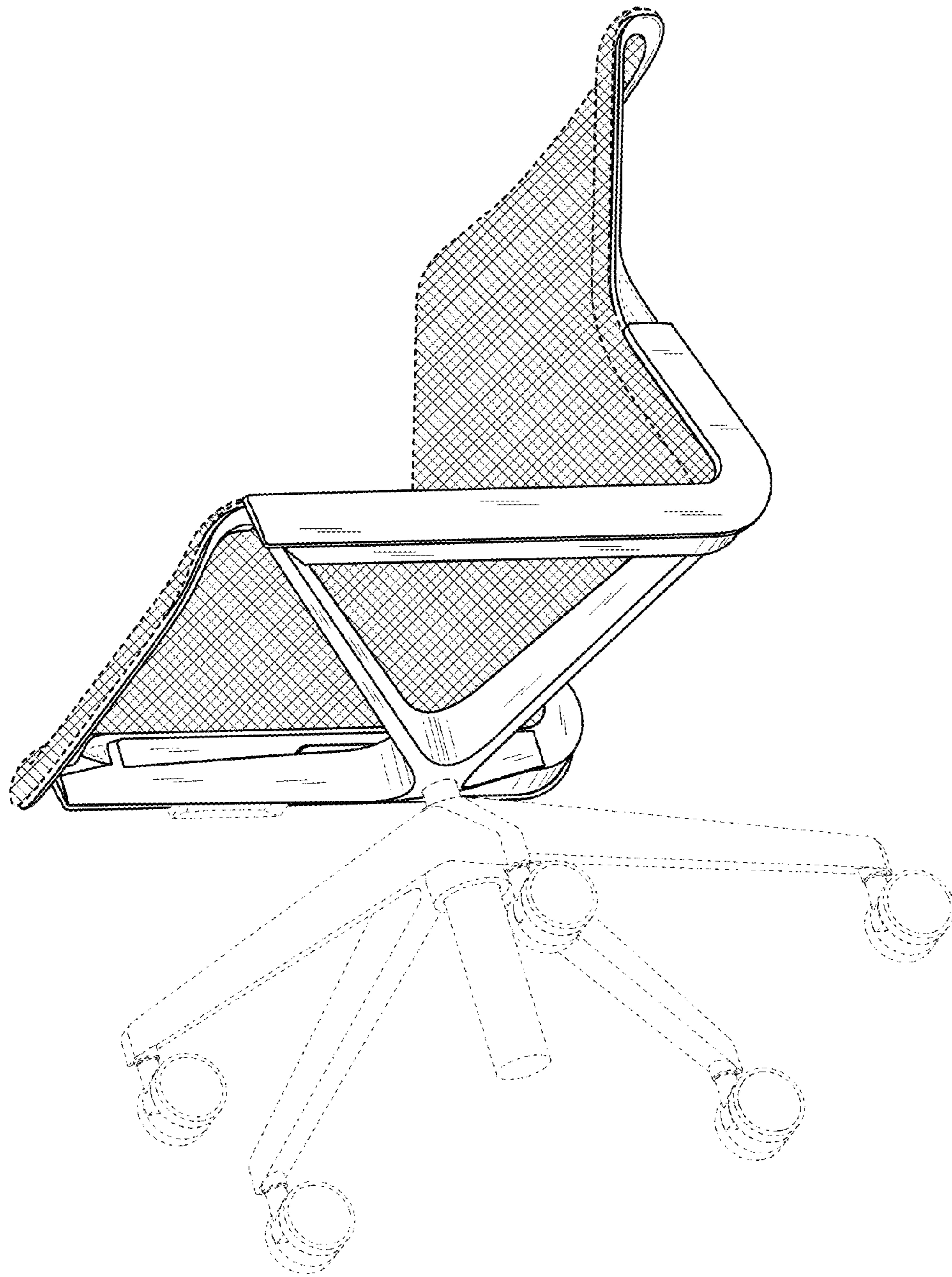


Fig. 2

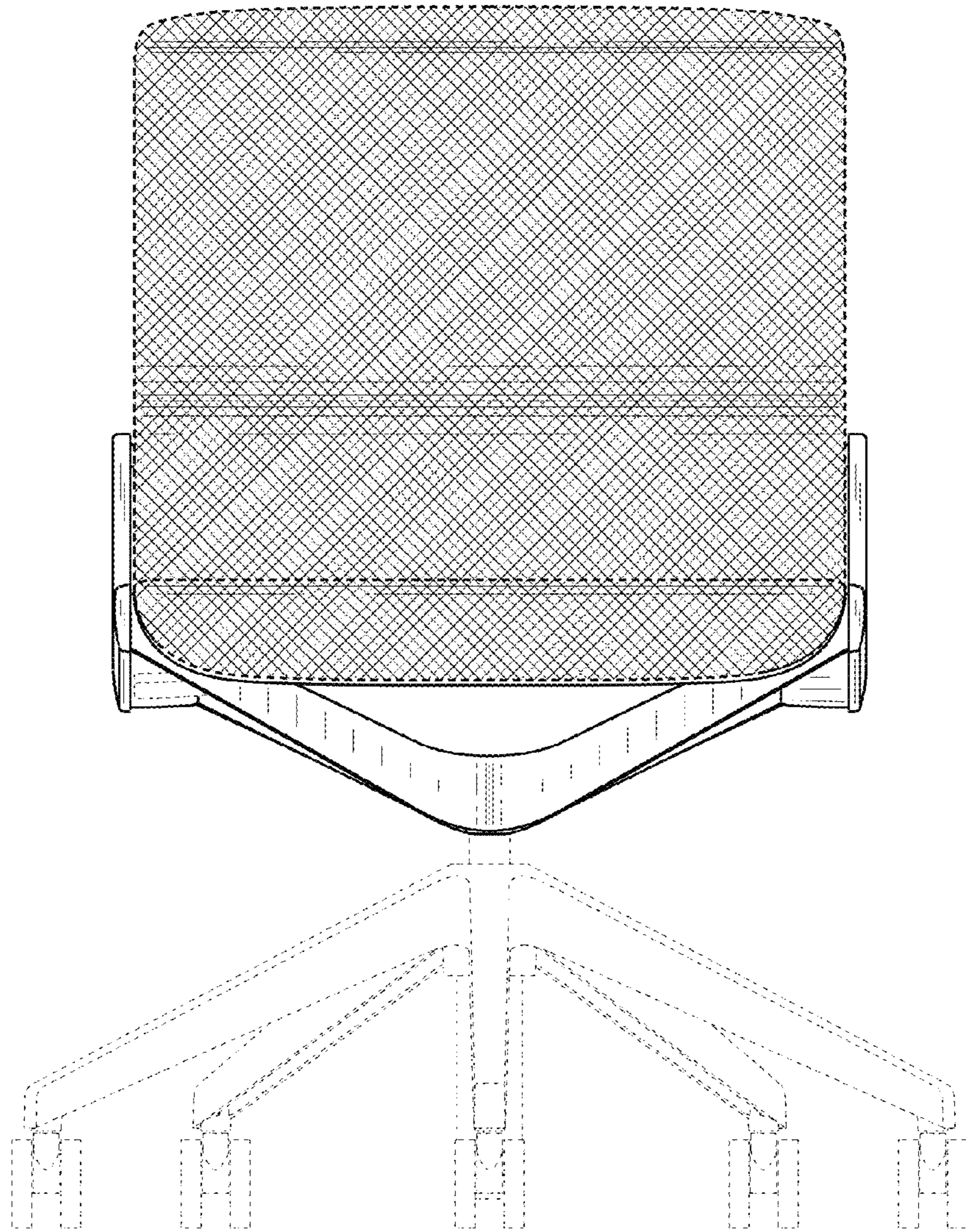


Fig. 3

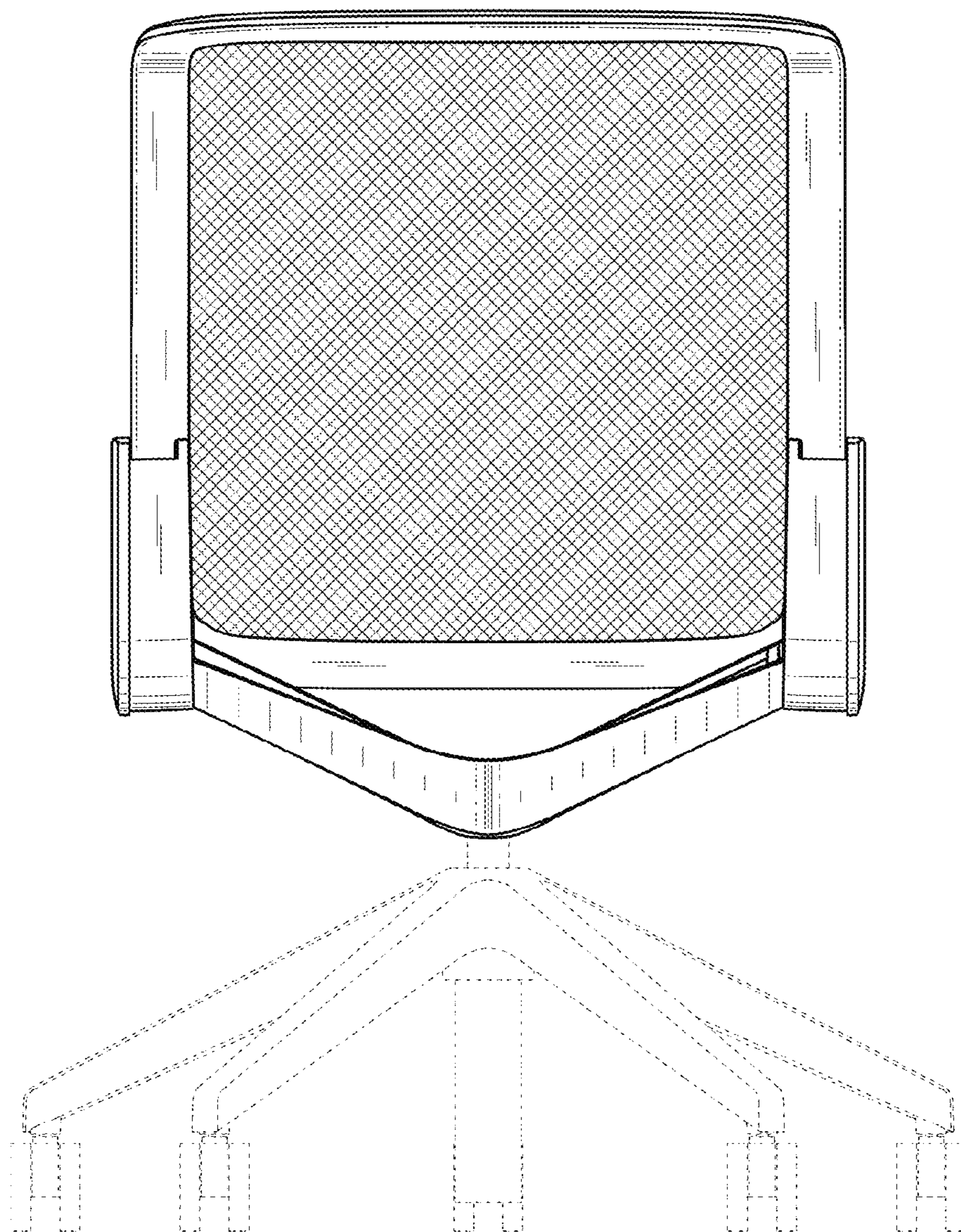


Fig. 4

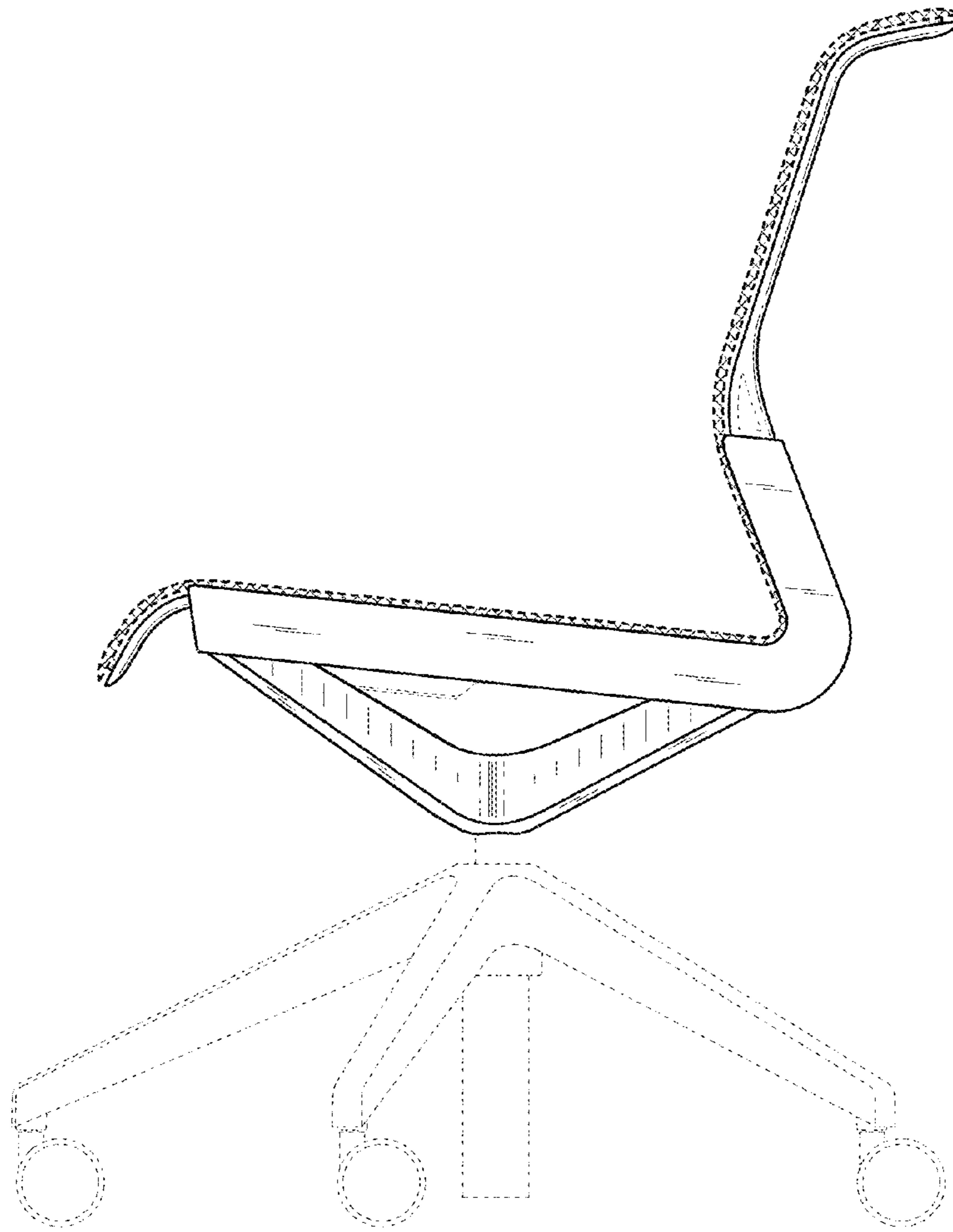


Fig. 5

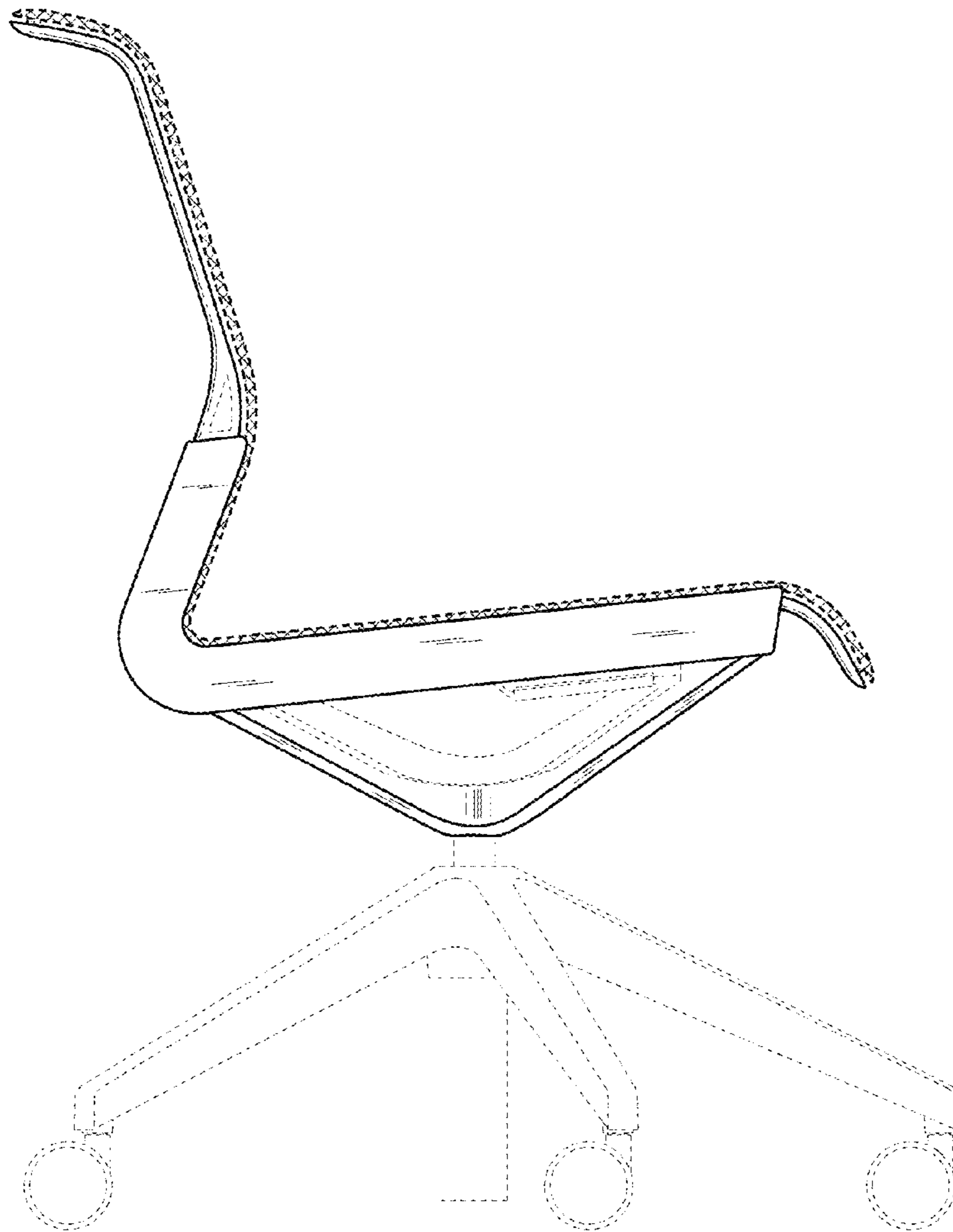


Fig. 6

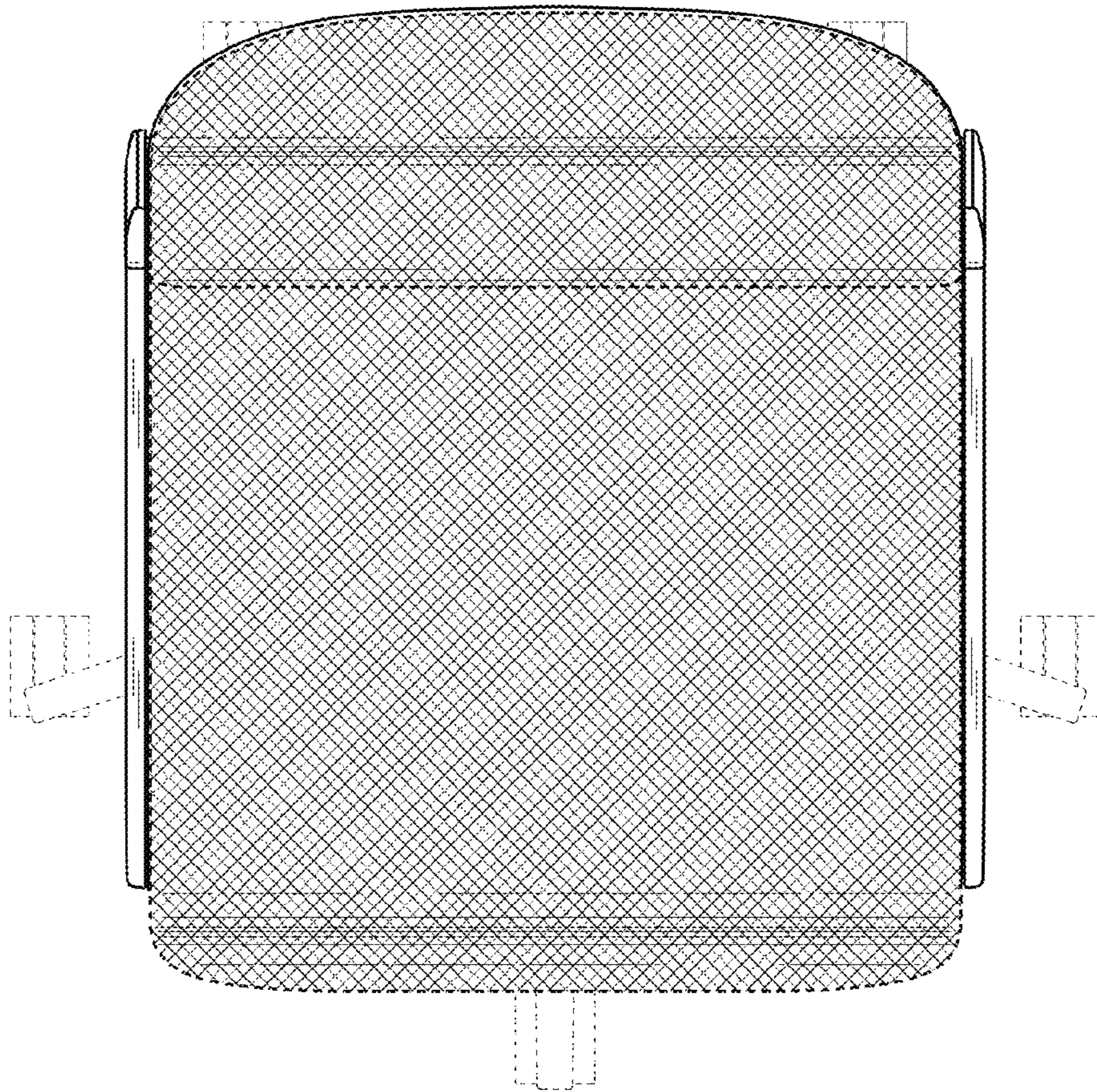


Fig. 7

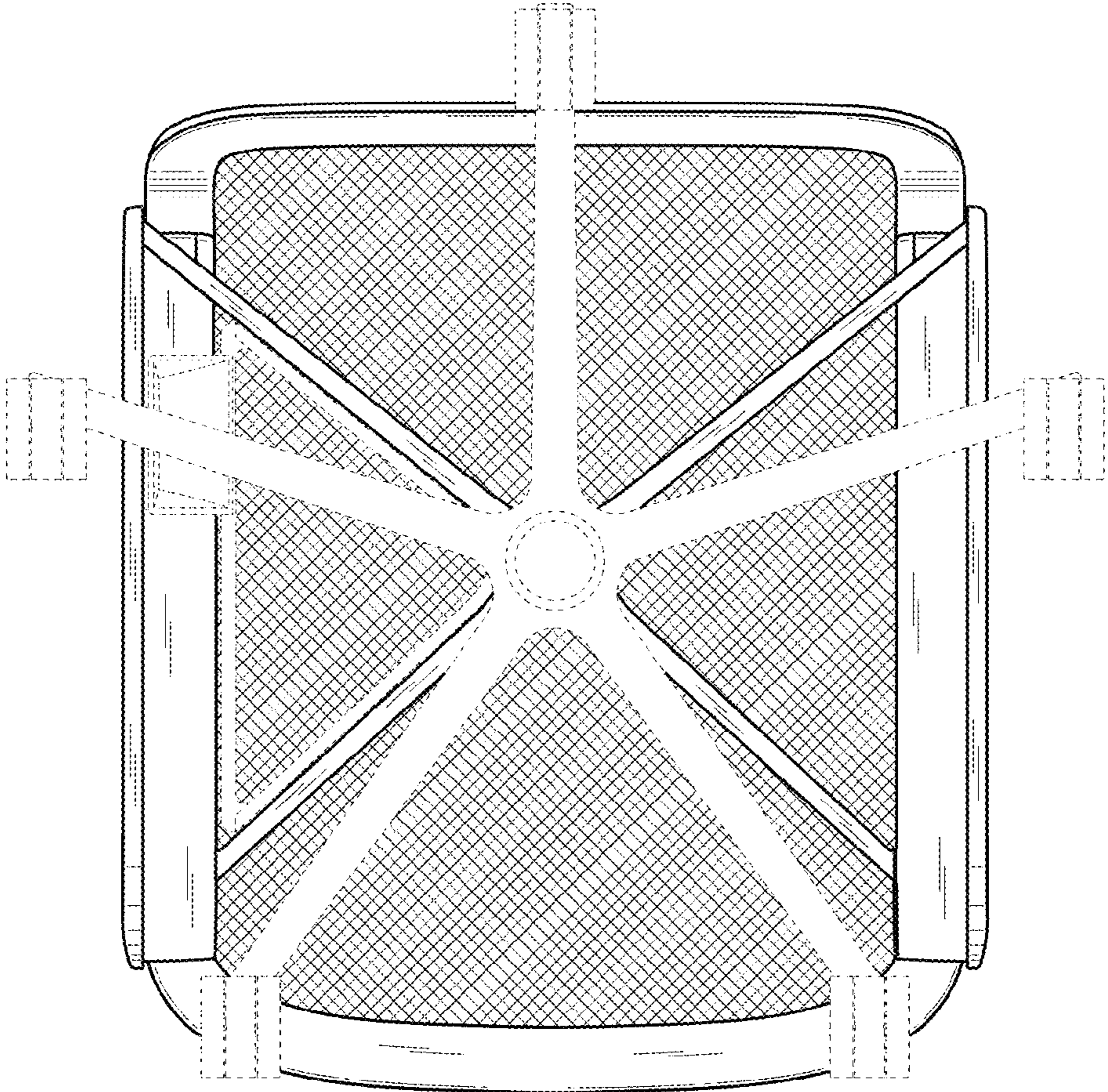


Fig. 8

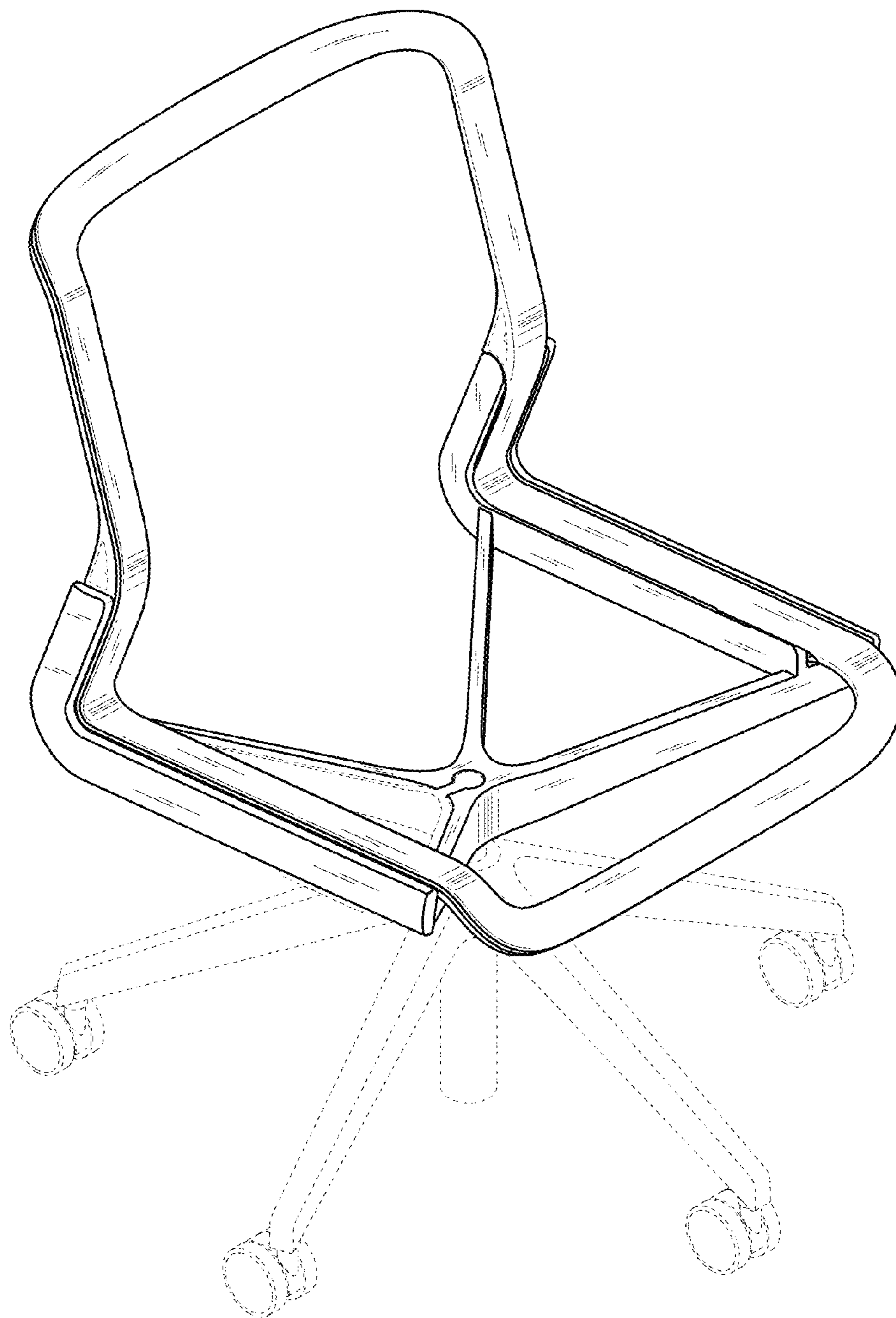


Fig. 9

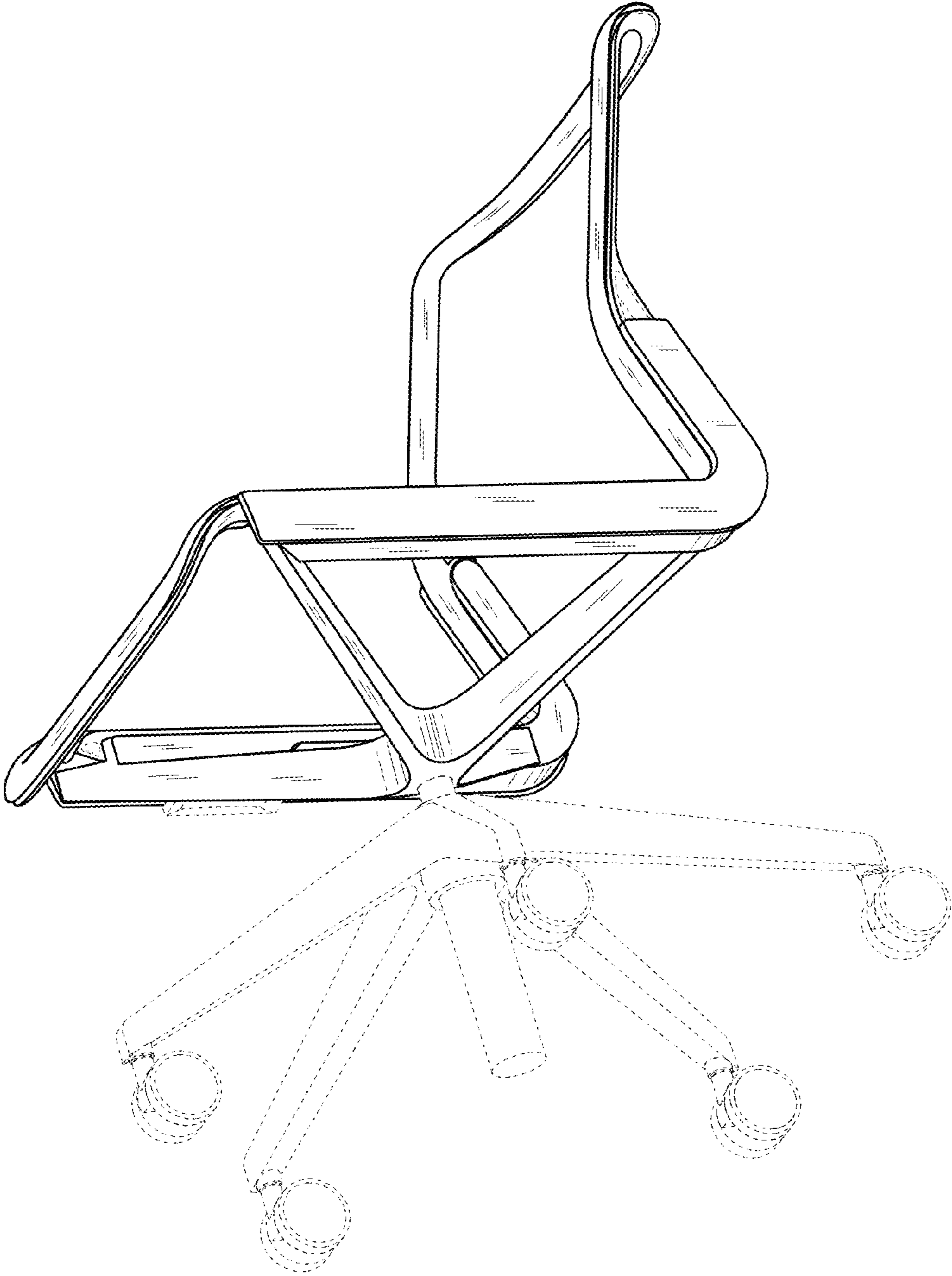


Fig. 10

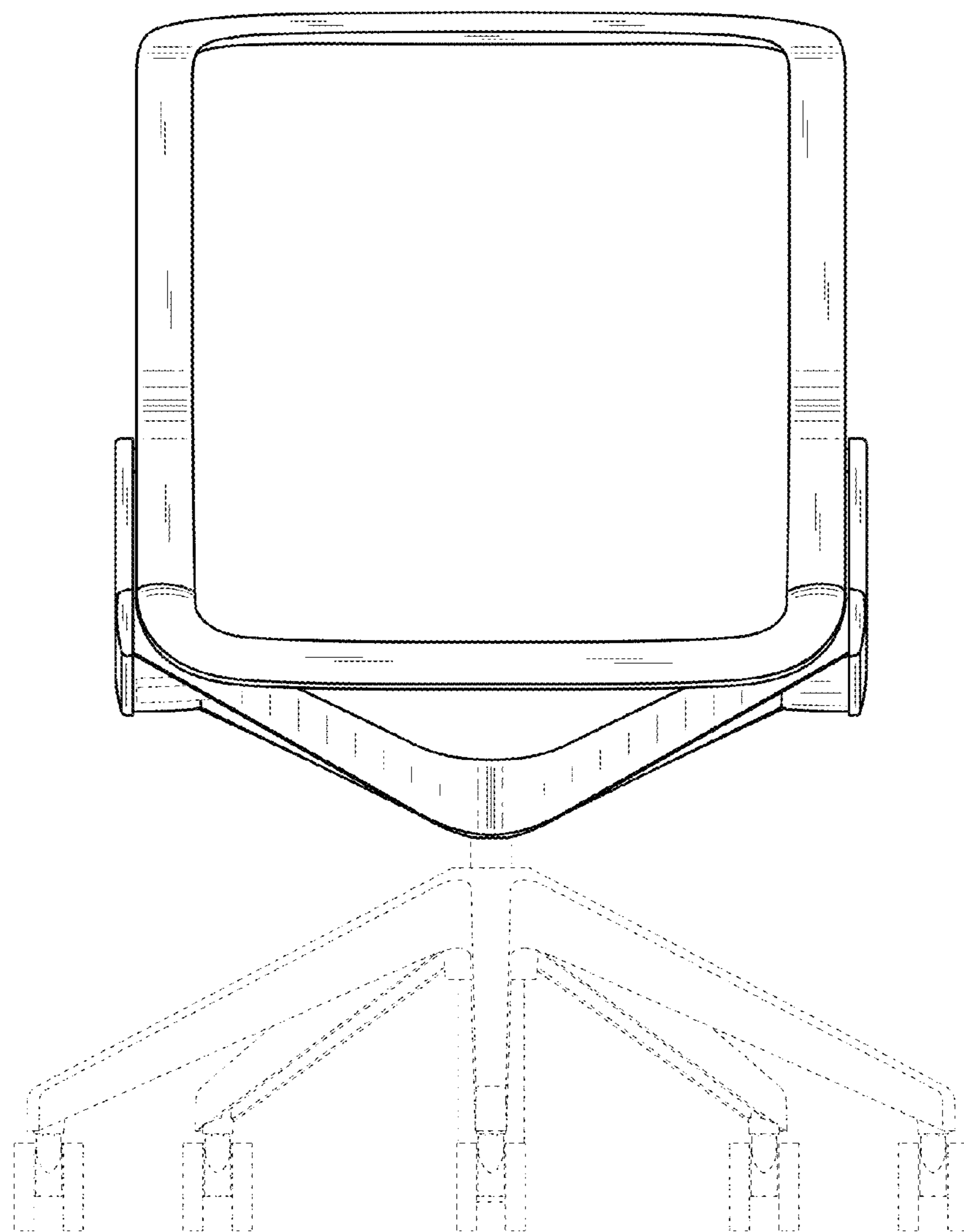


Fig. 11

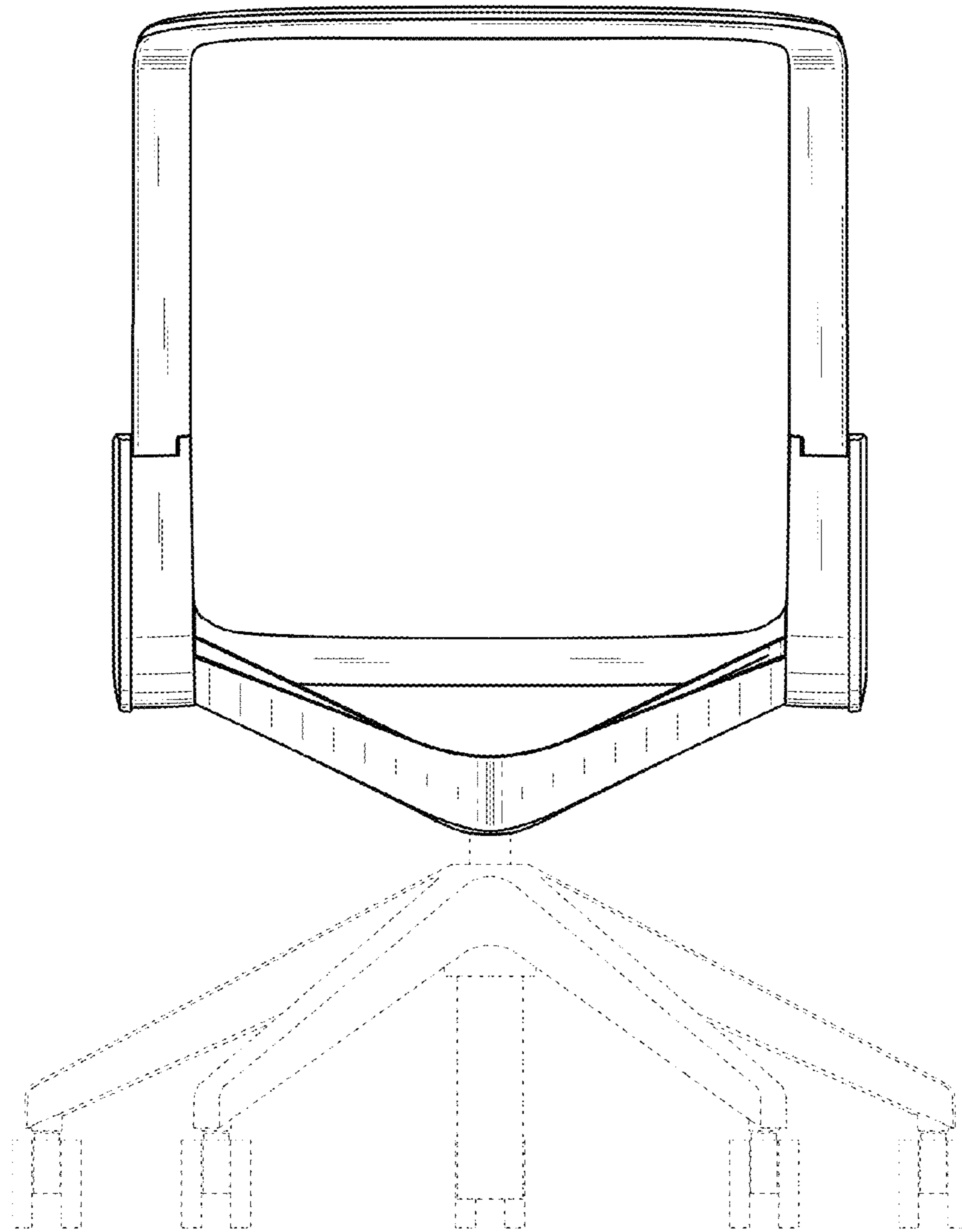


Fig. 12

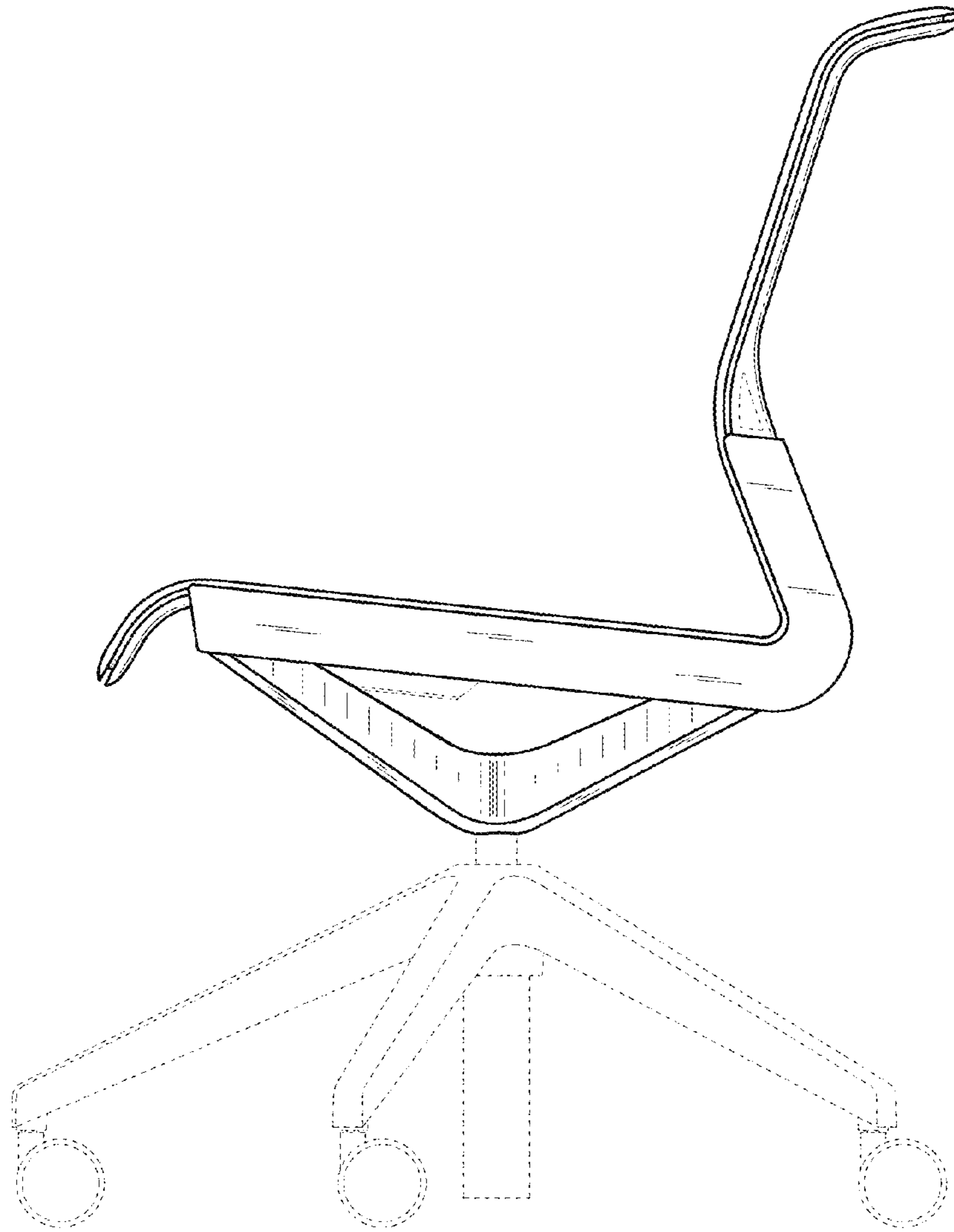


Fig. 13

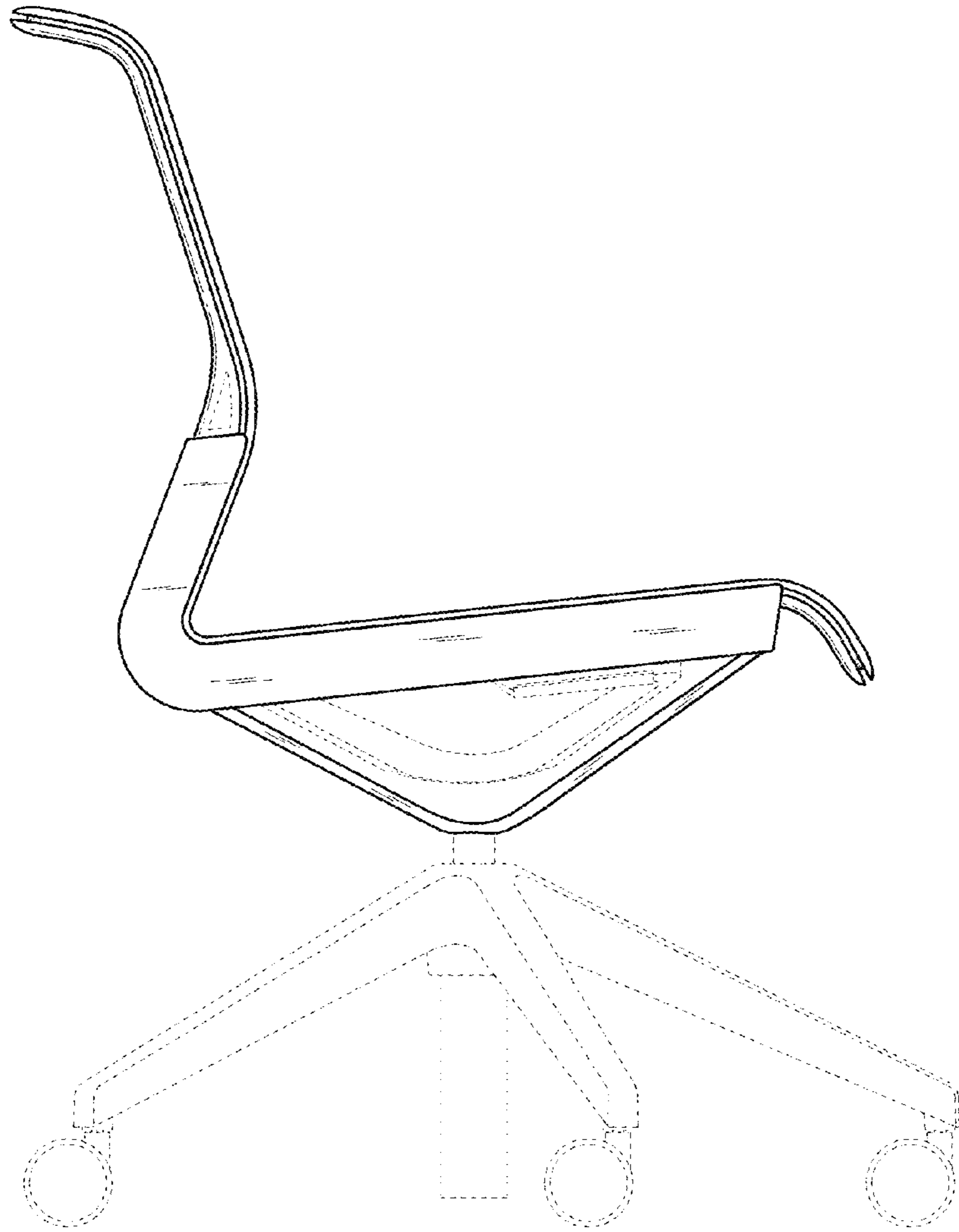


Fig. 14

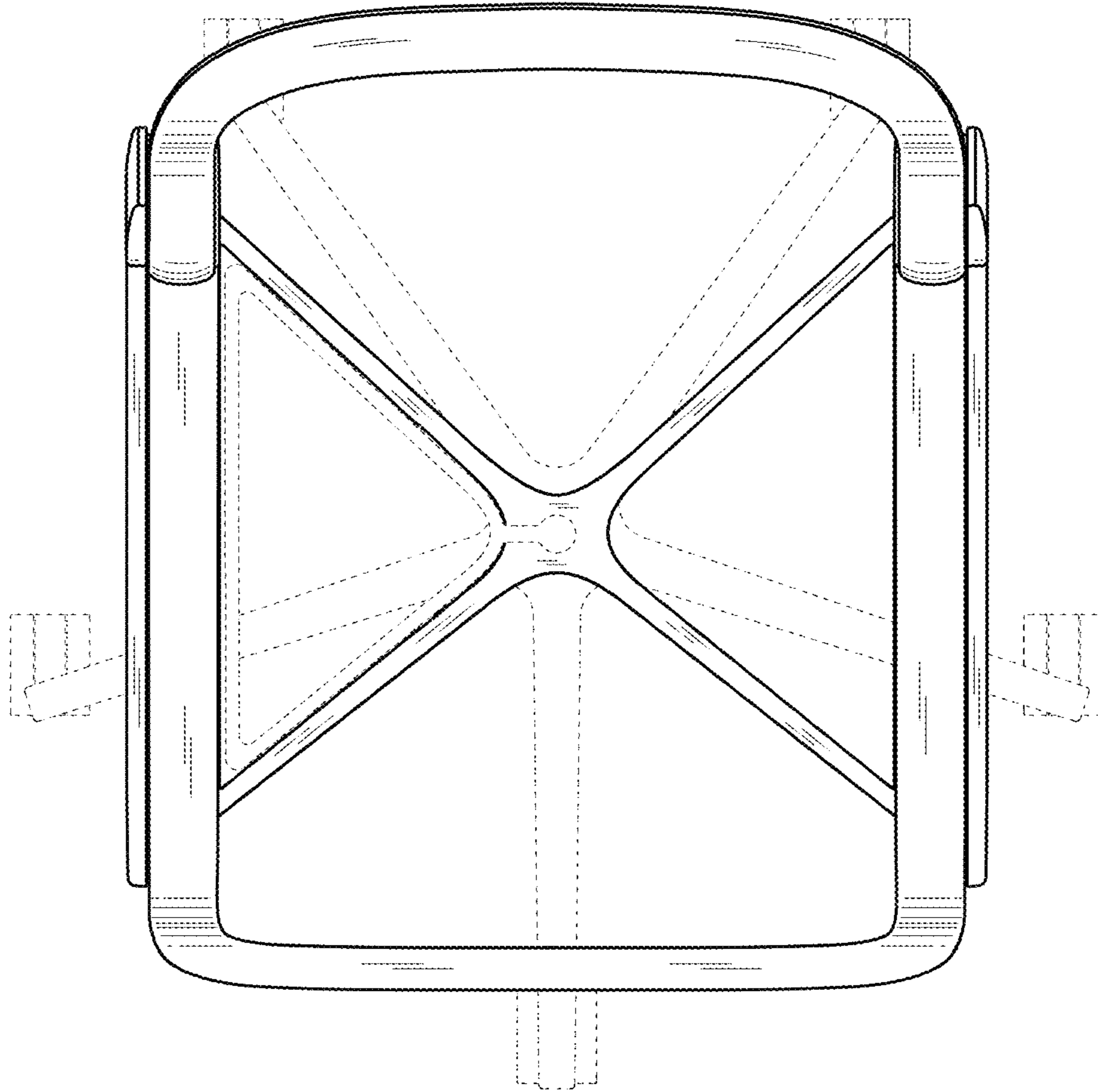


Fig. 15

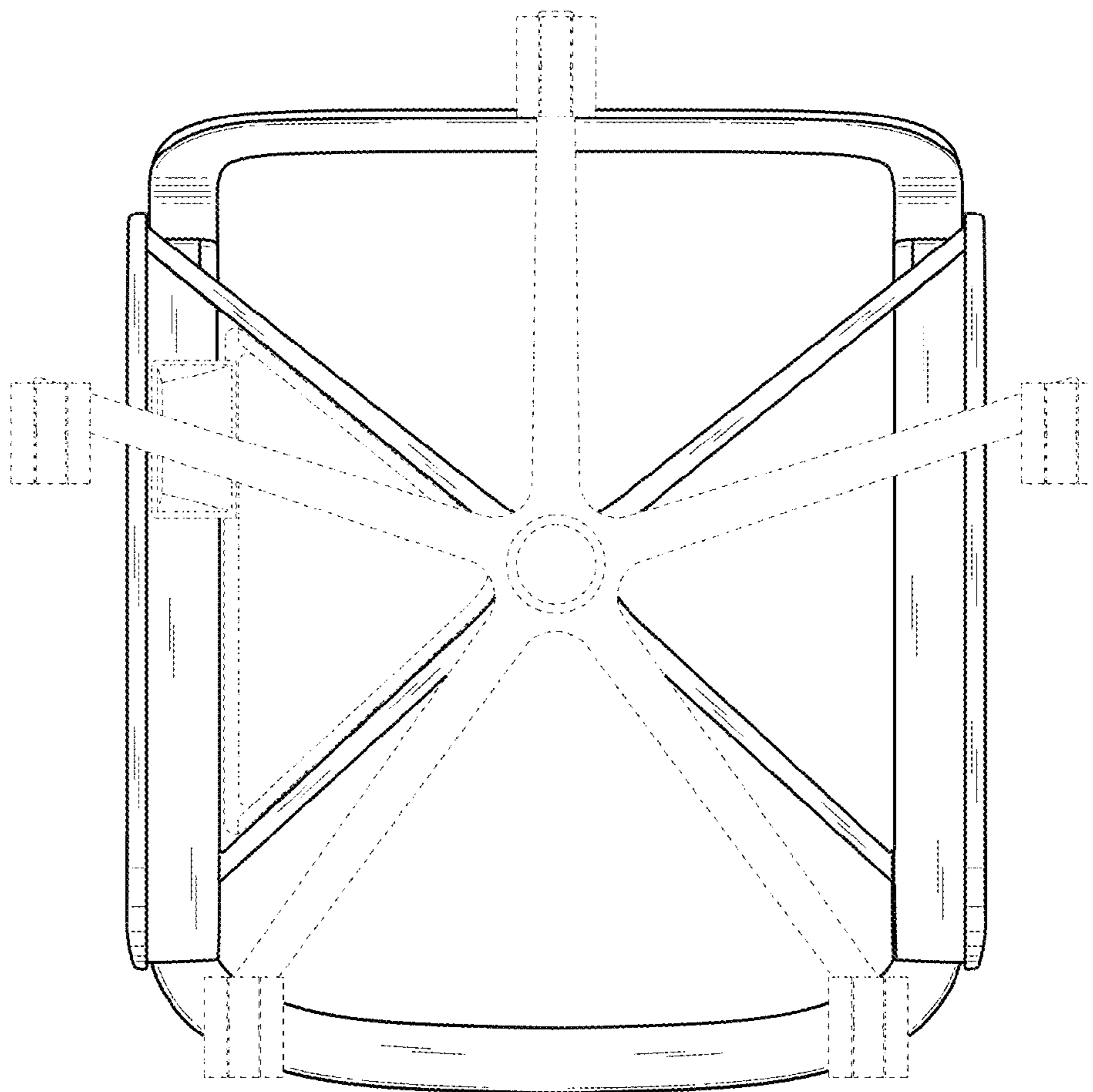


Fig. 16

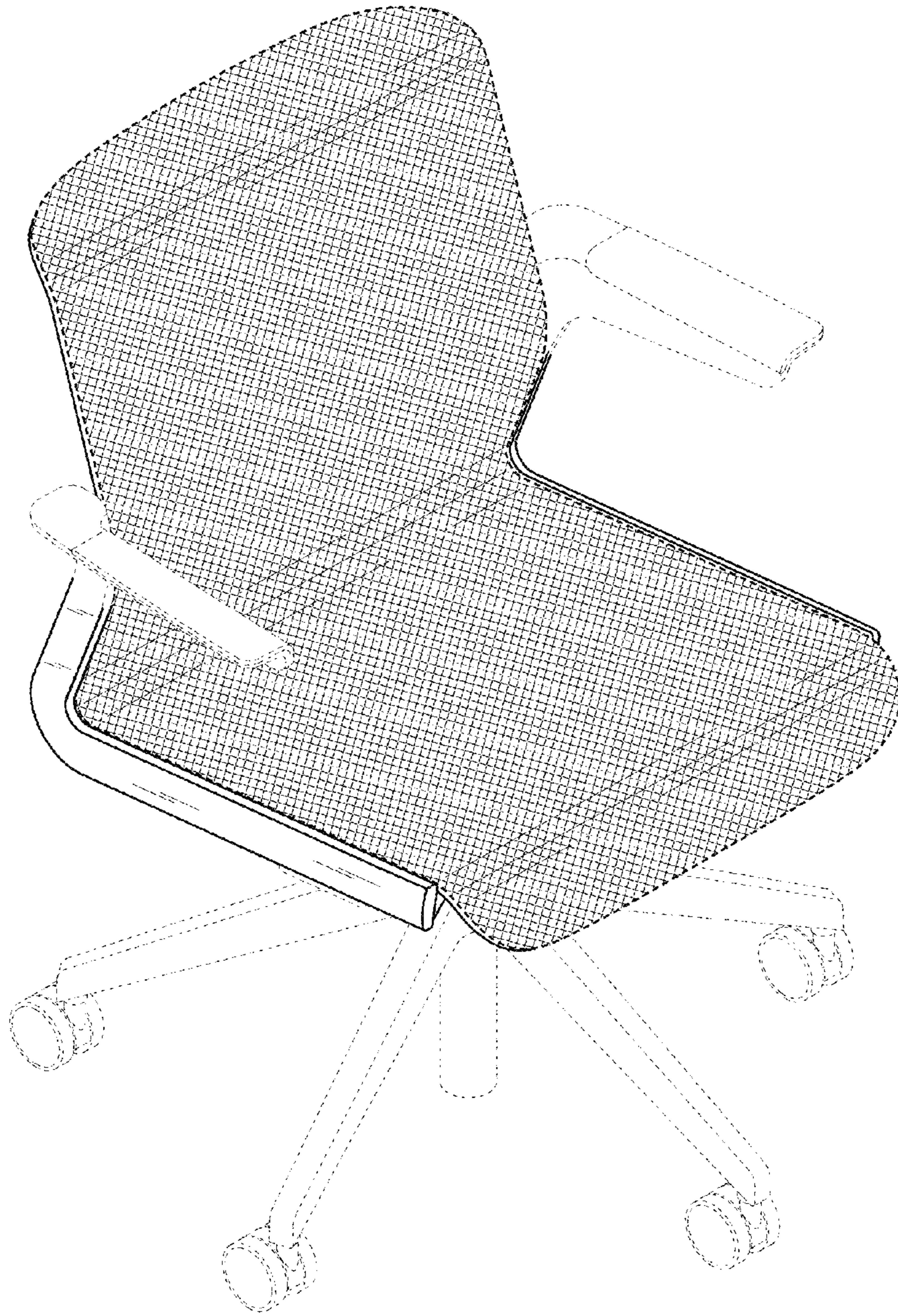


Fig. 17

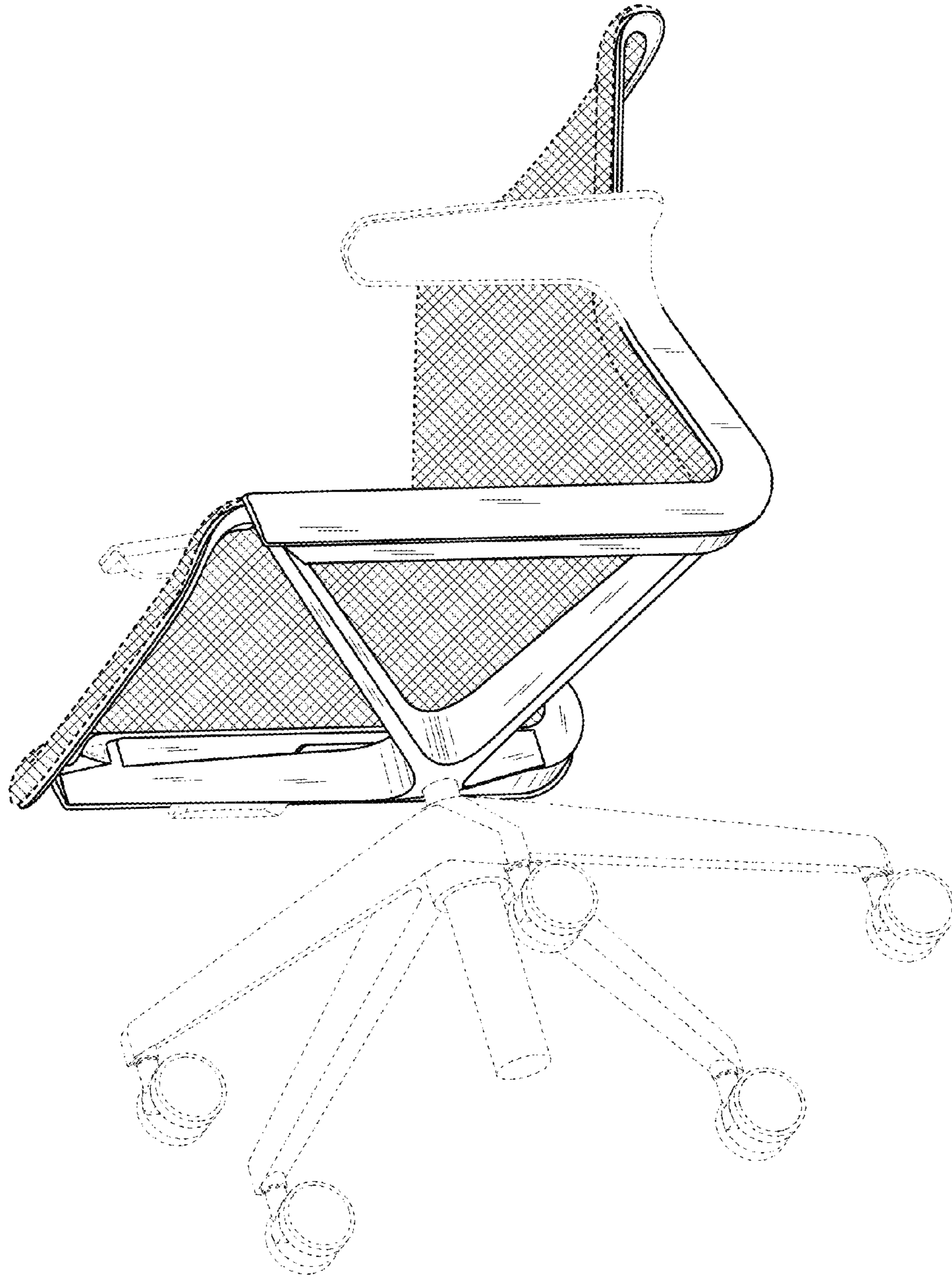


Fig. 18

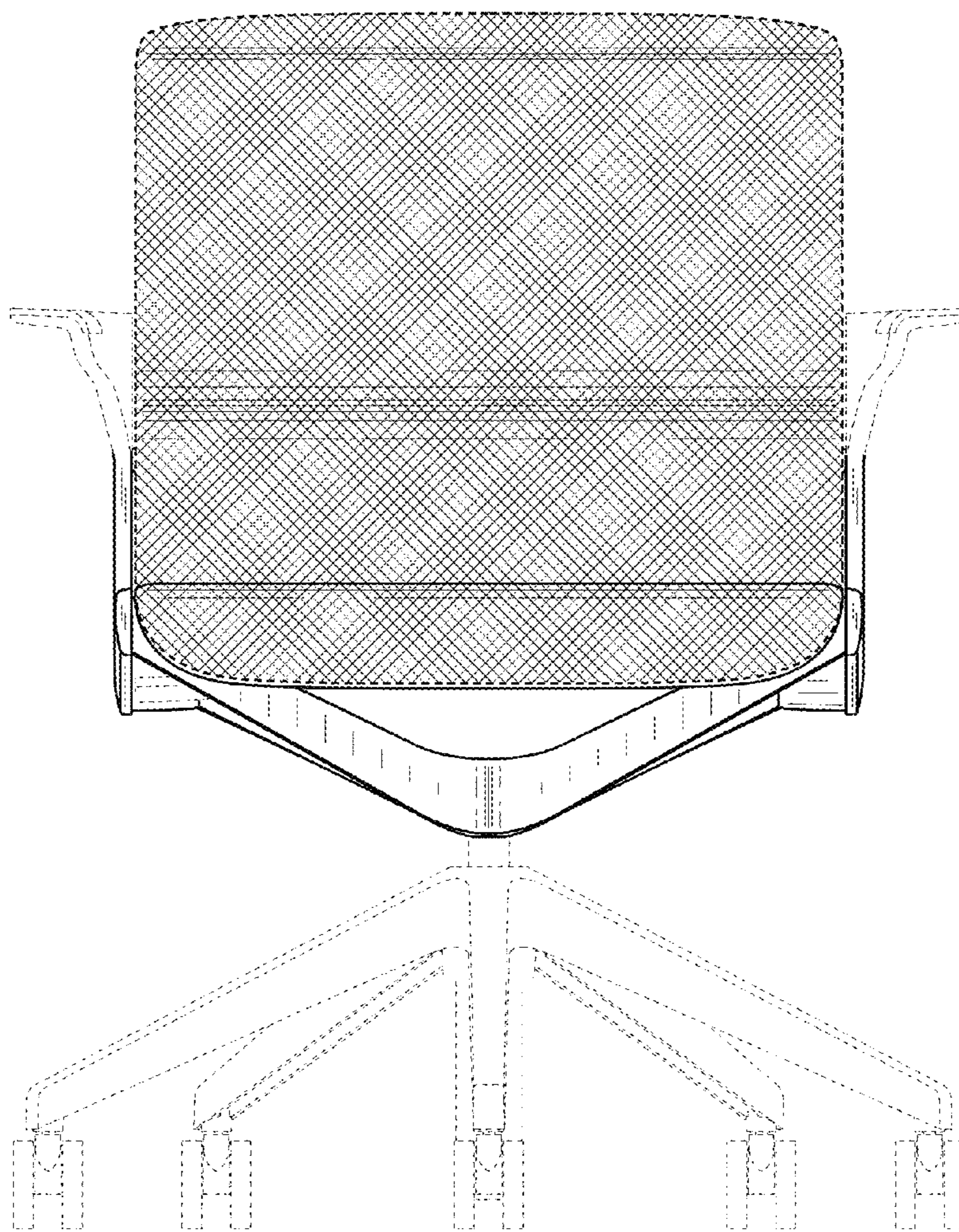


Fig. 19

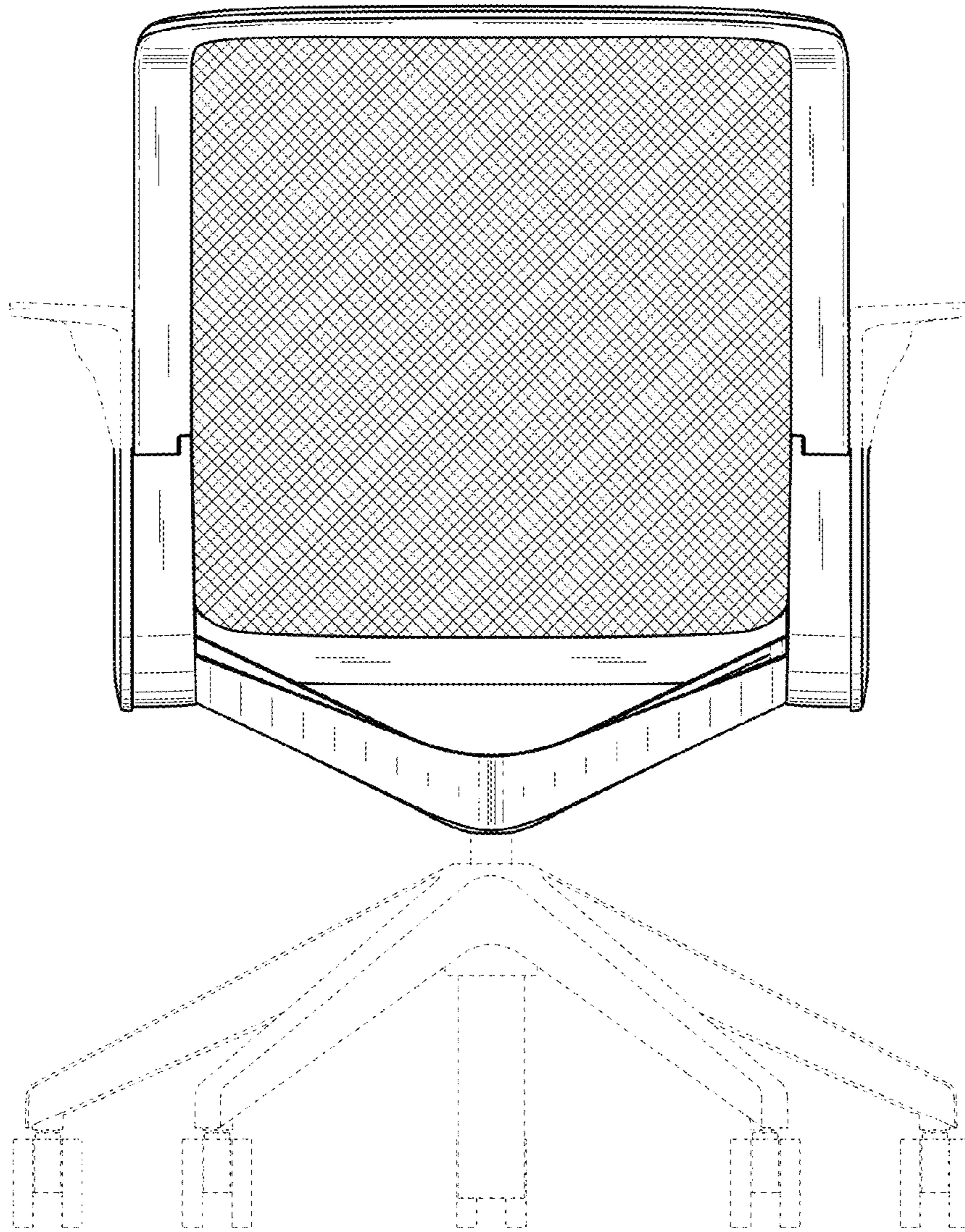


Fig. 20

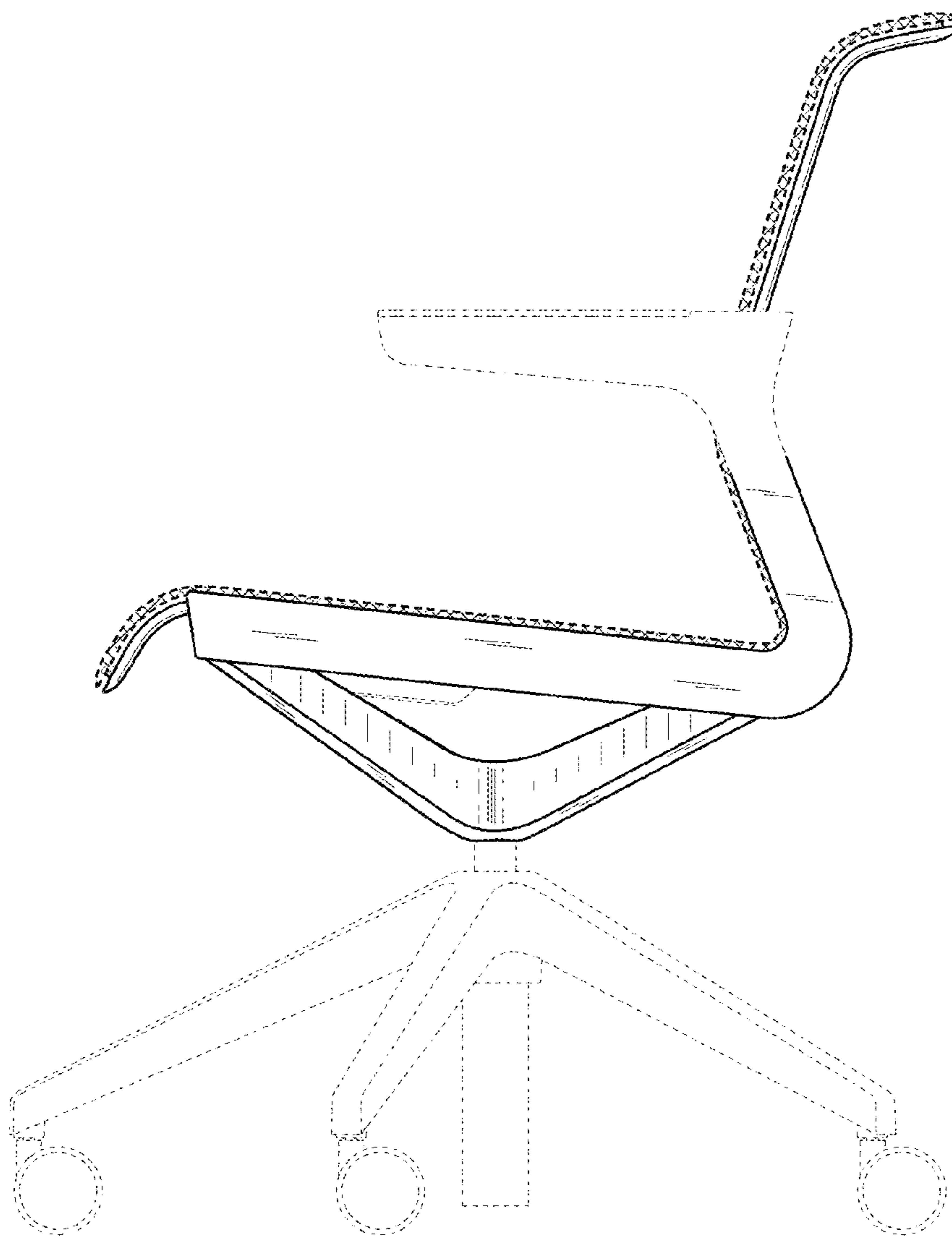


Fig. 21

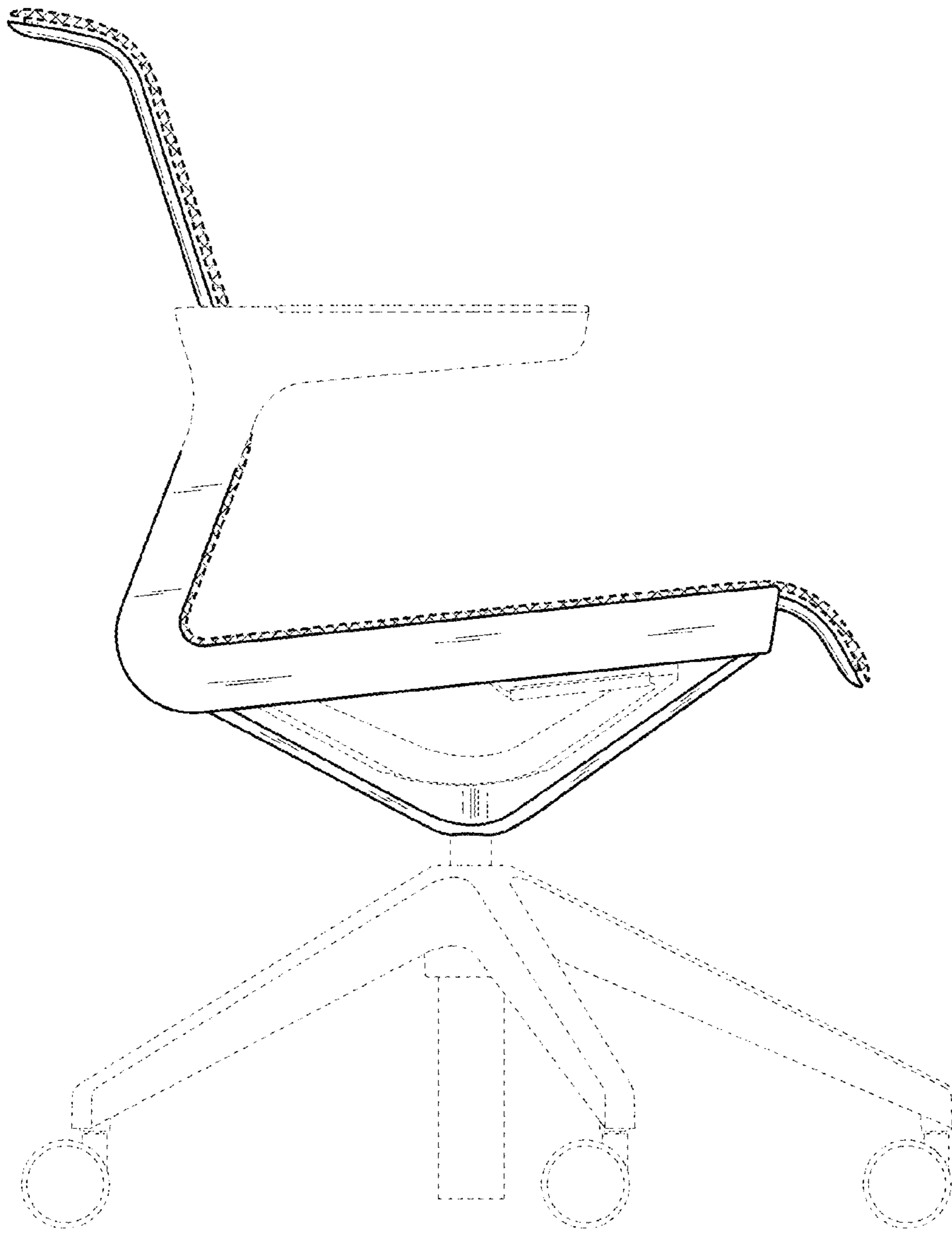


Fig. 22

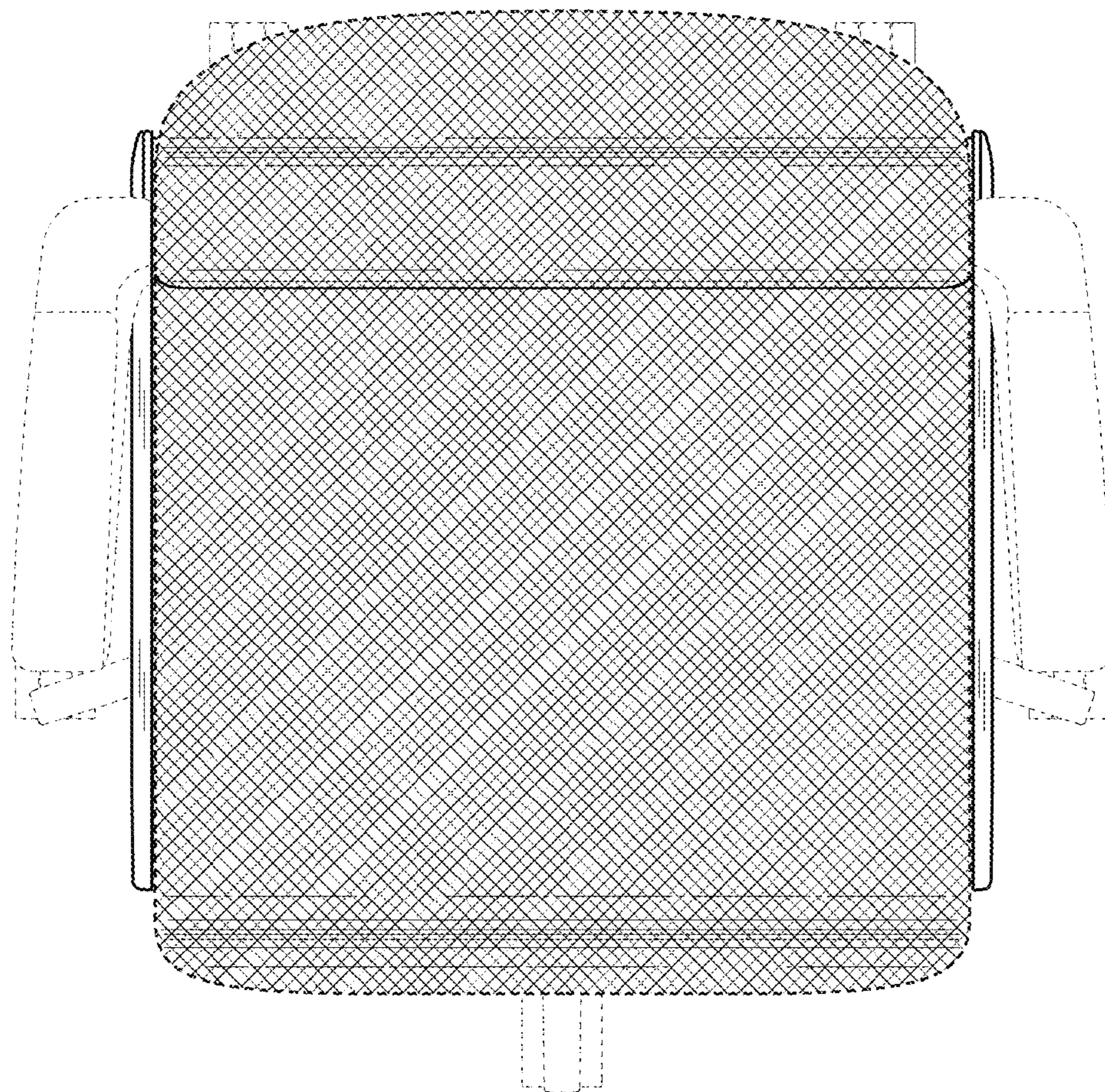


Fig. 23

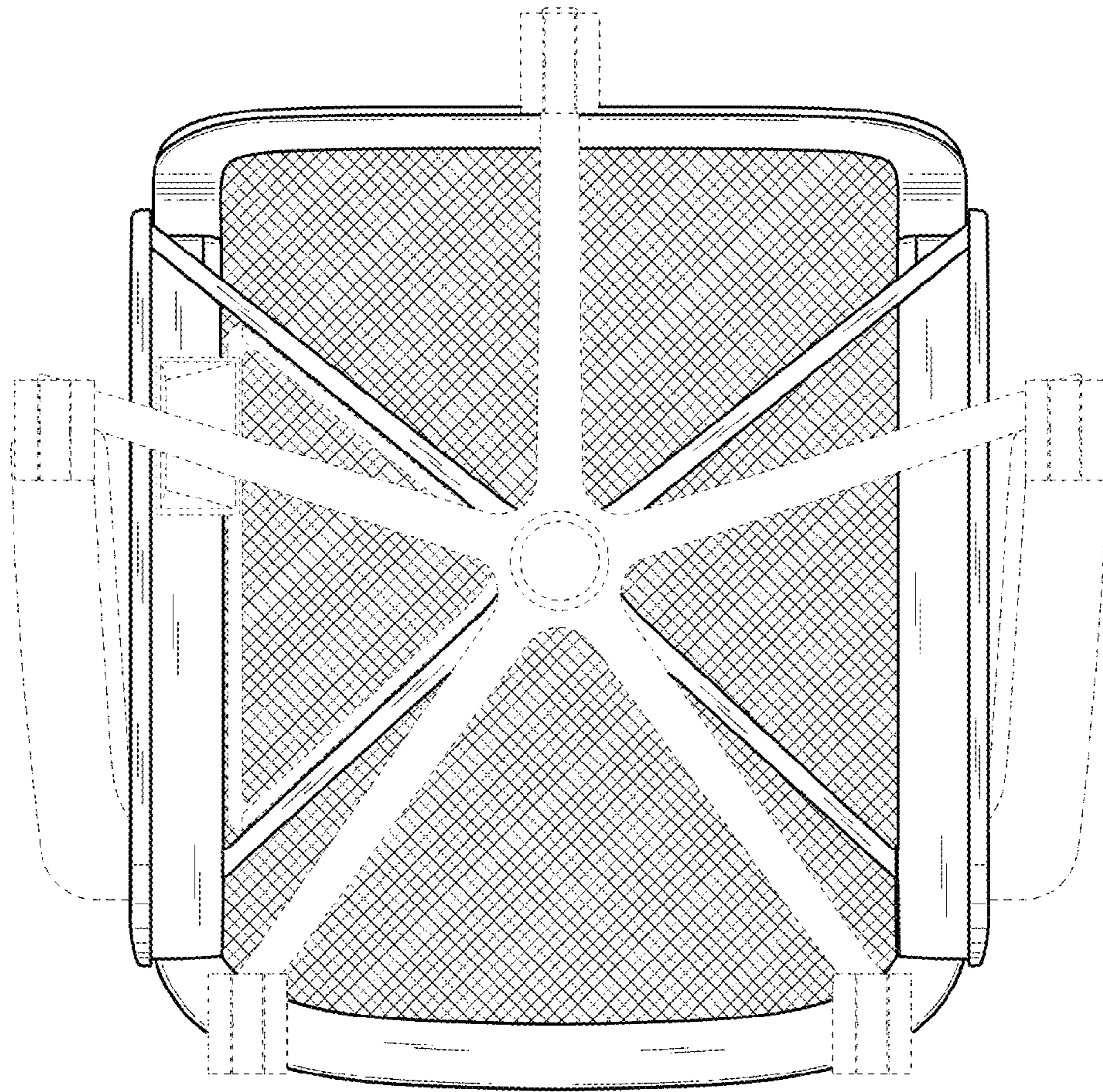


Fig. 24

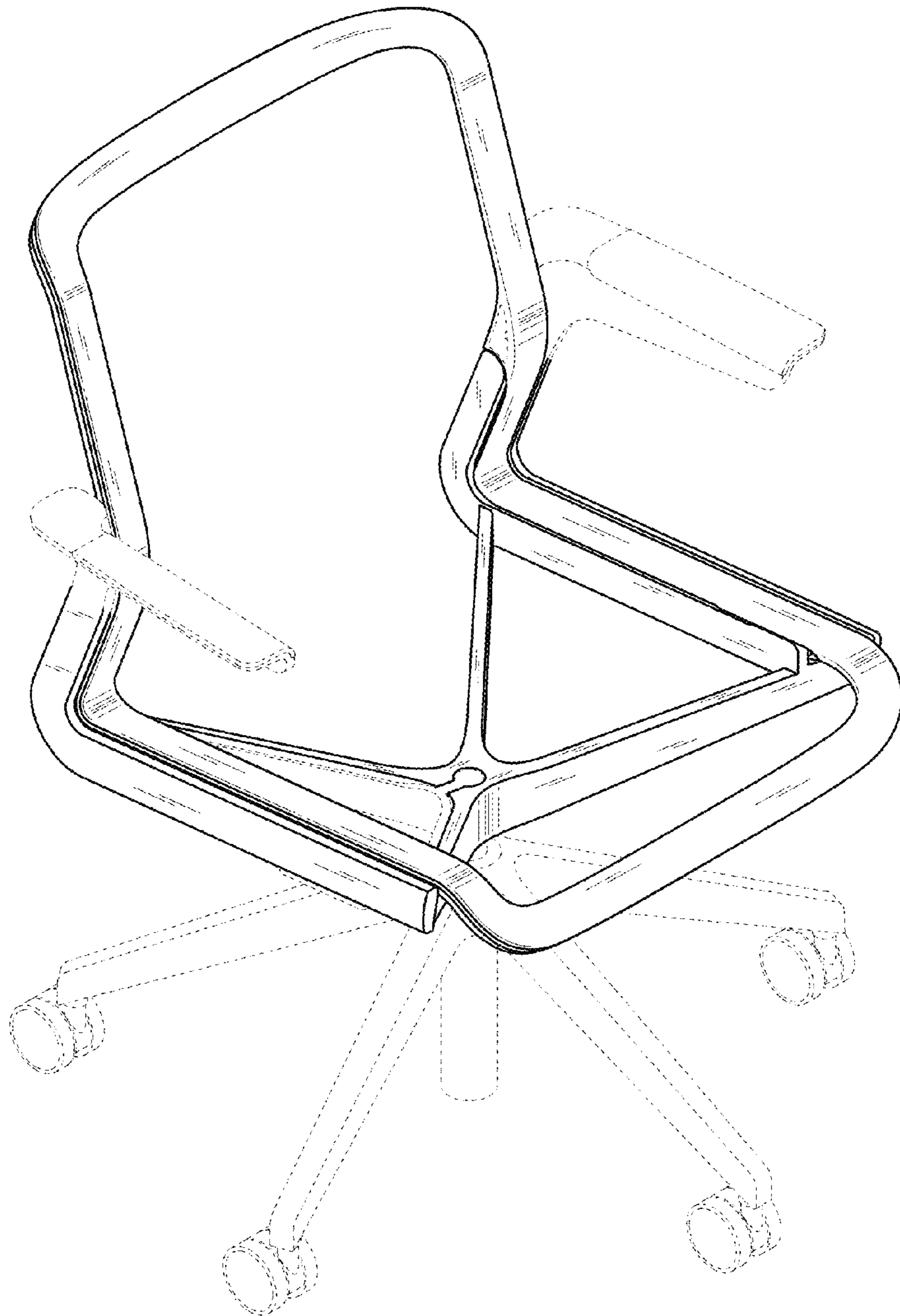


Fig. 25

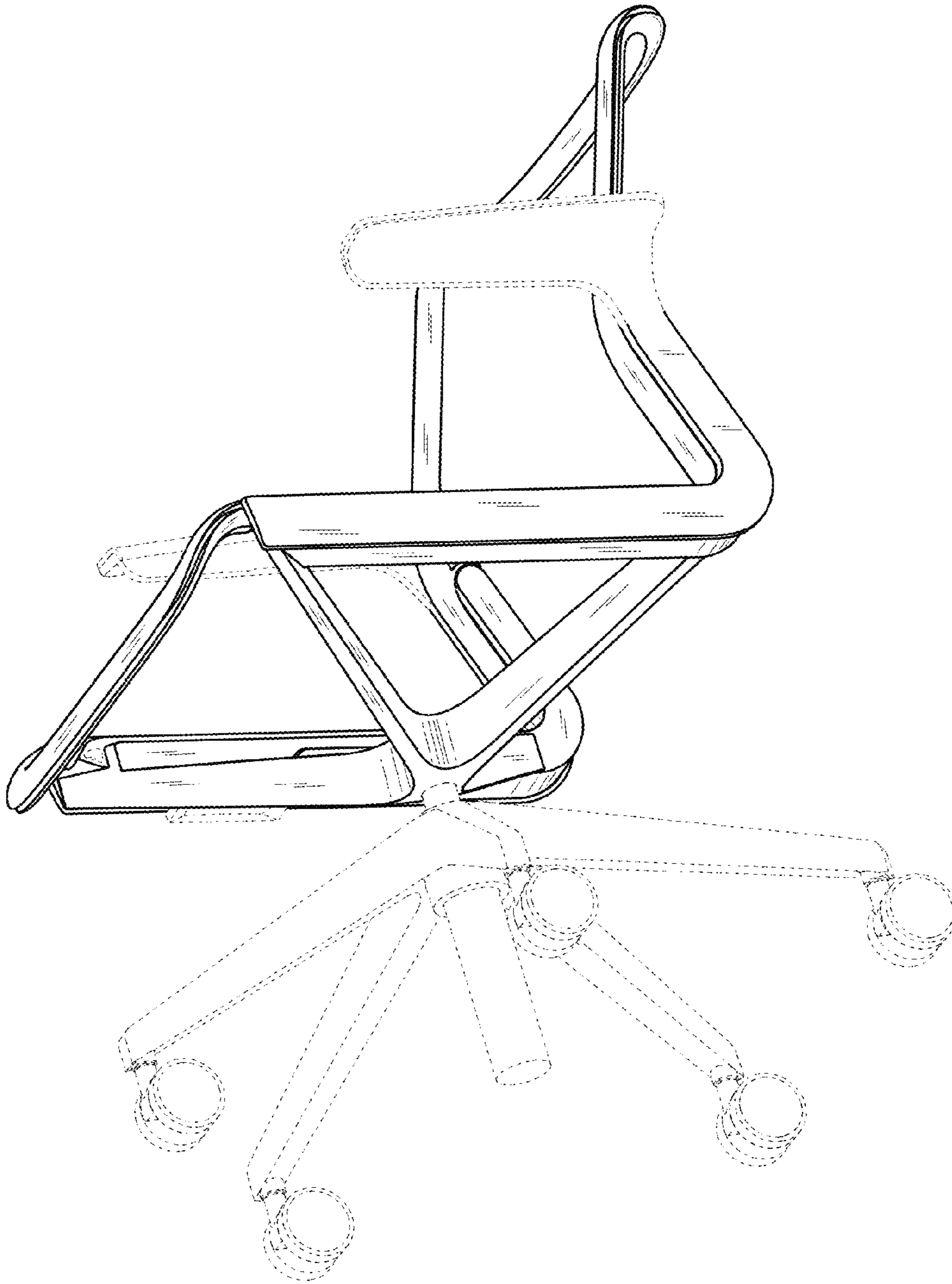


Fig. 26

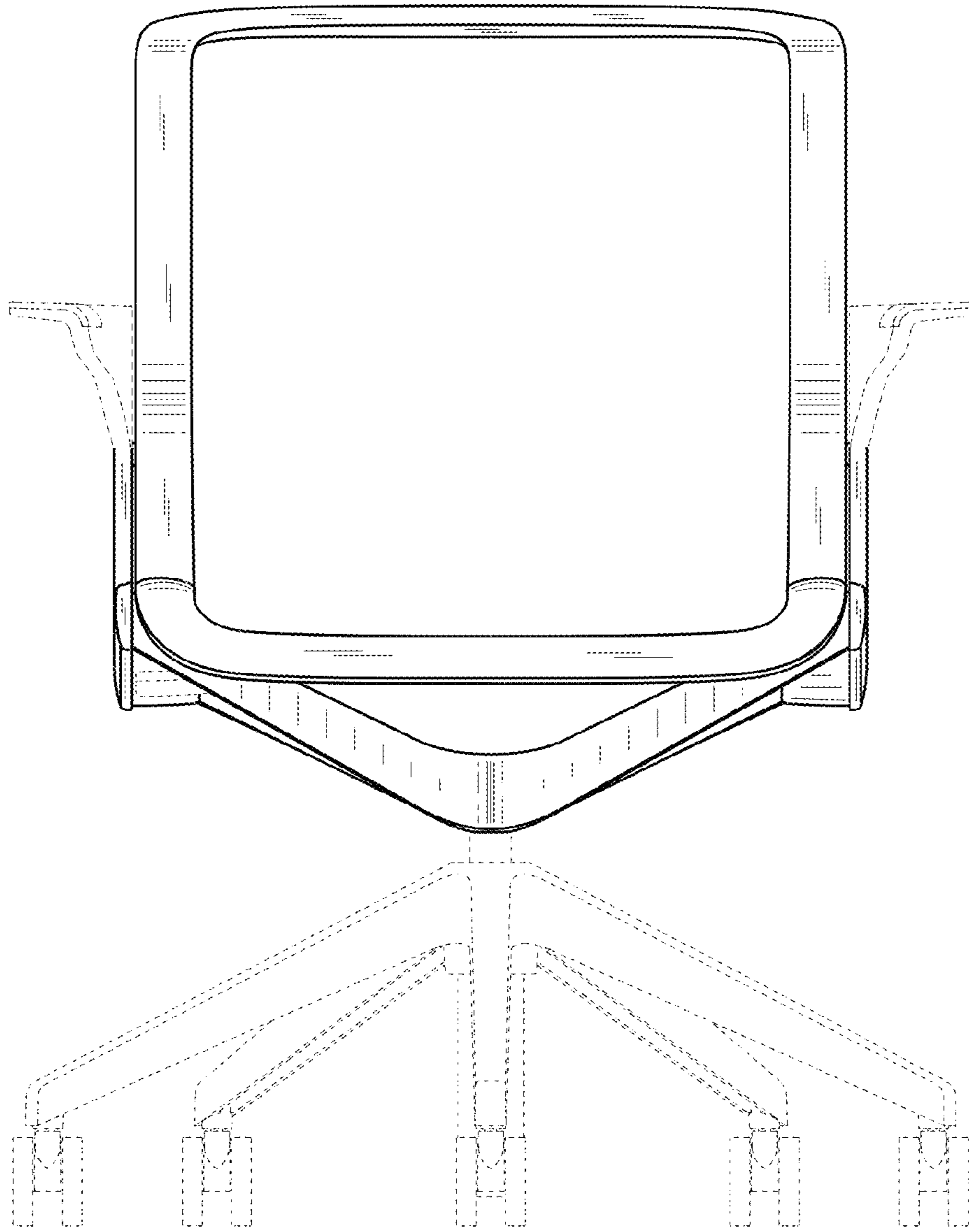


Fig. 27

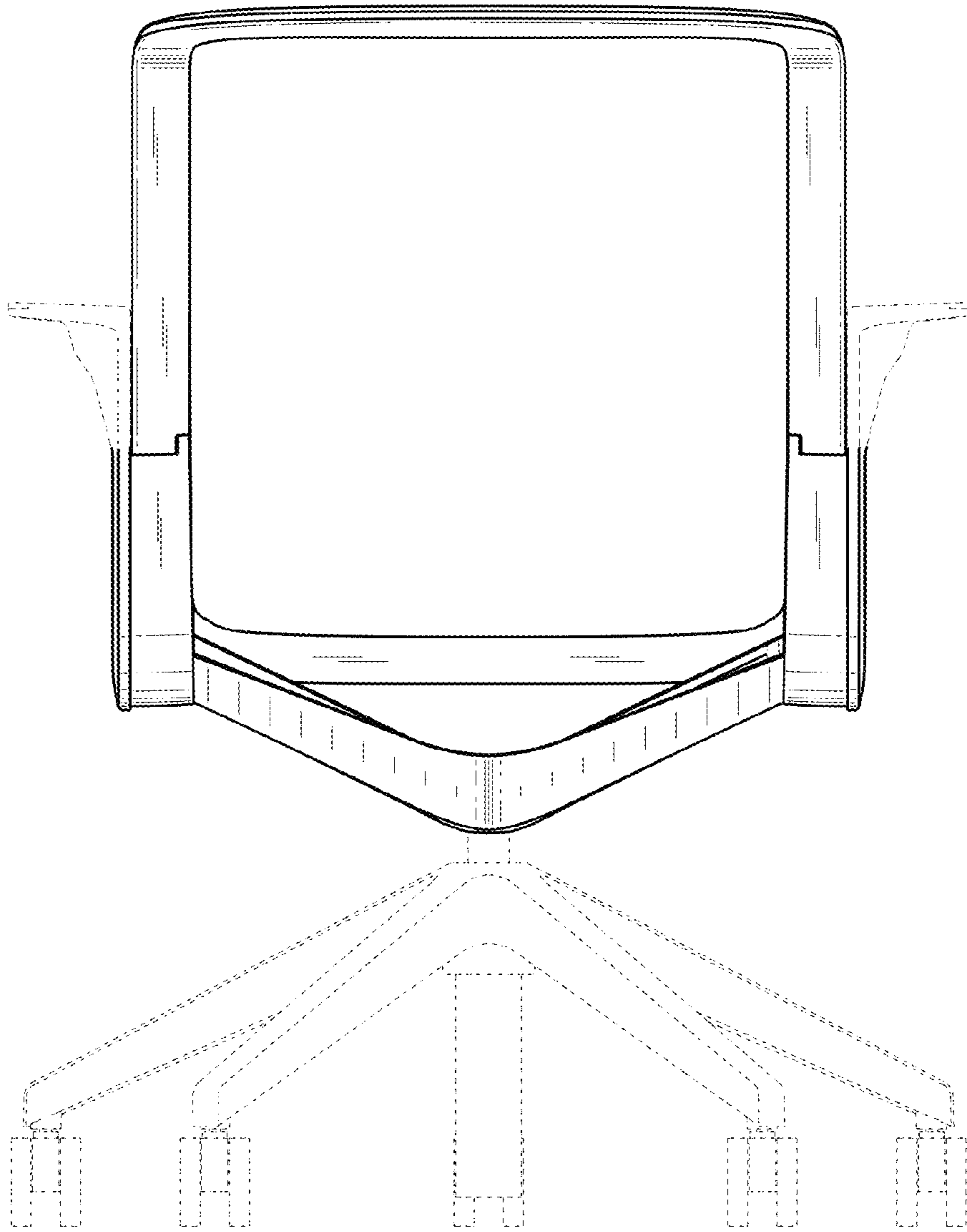


Fig. 28

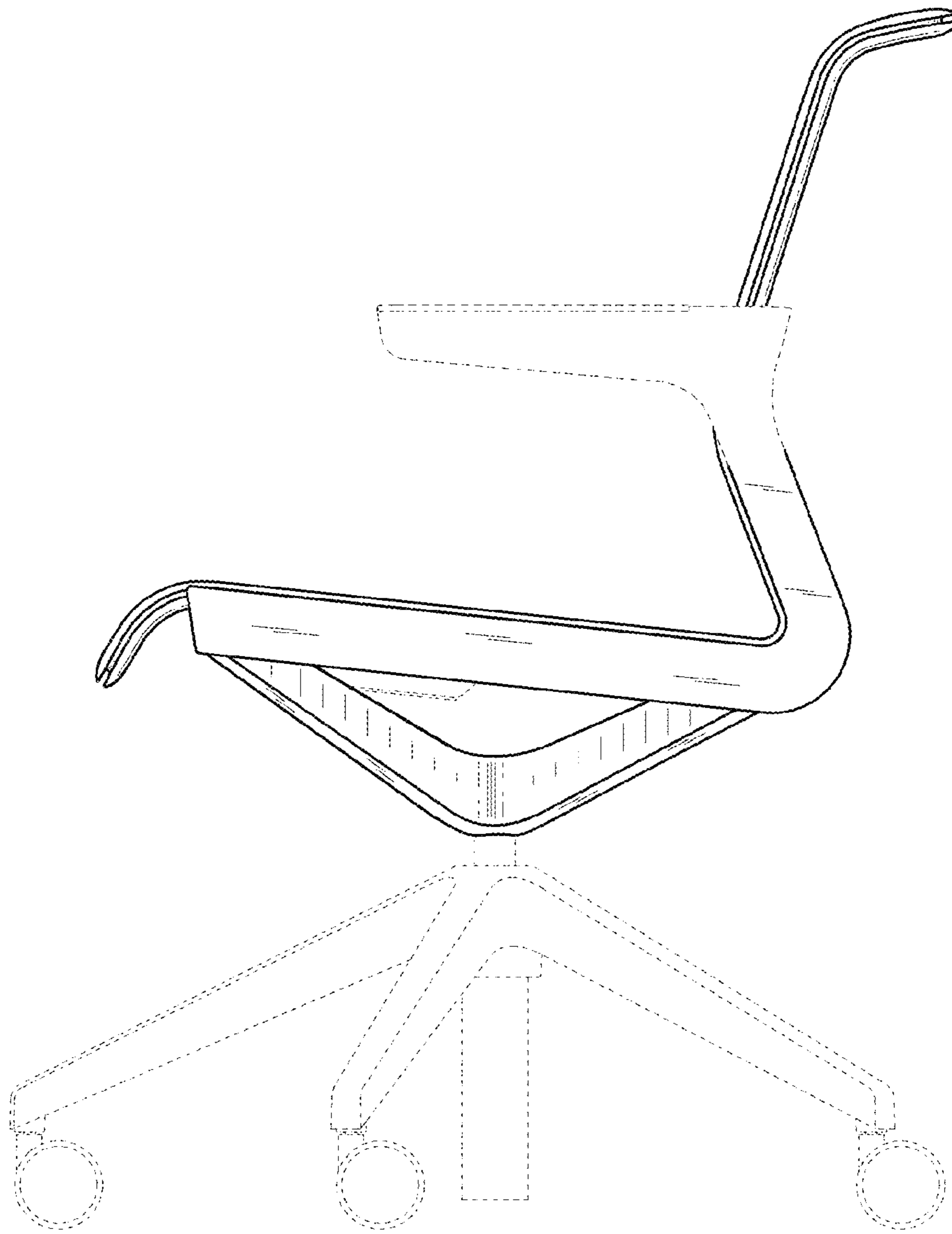


Fig. 29

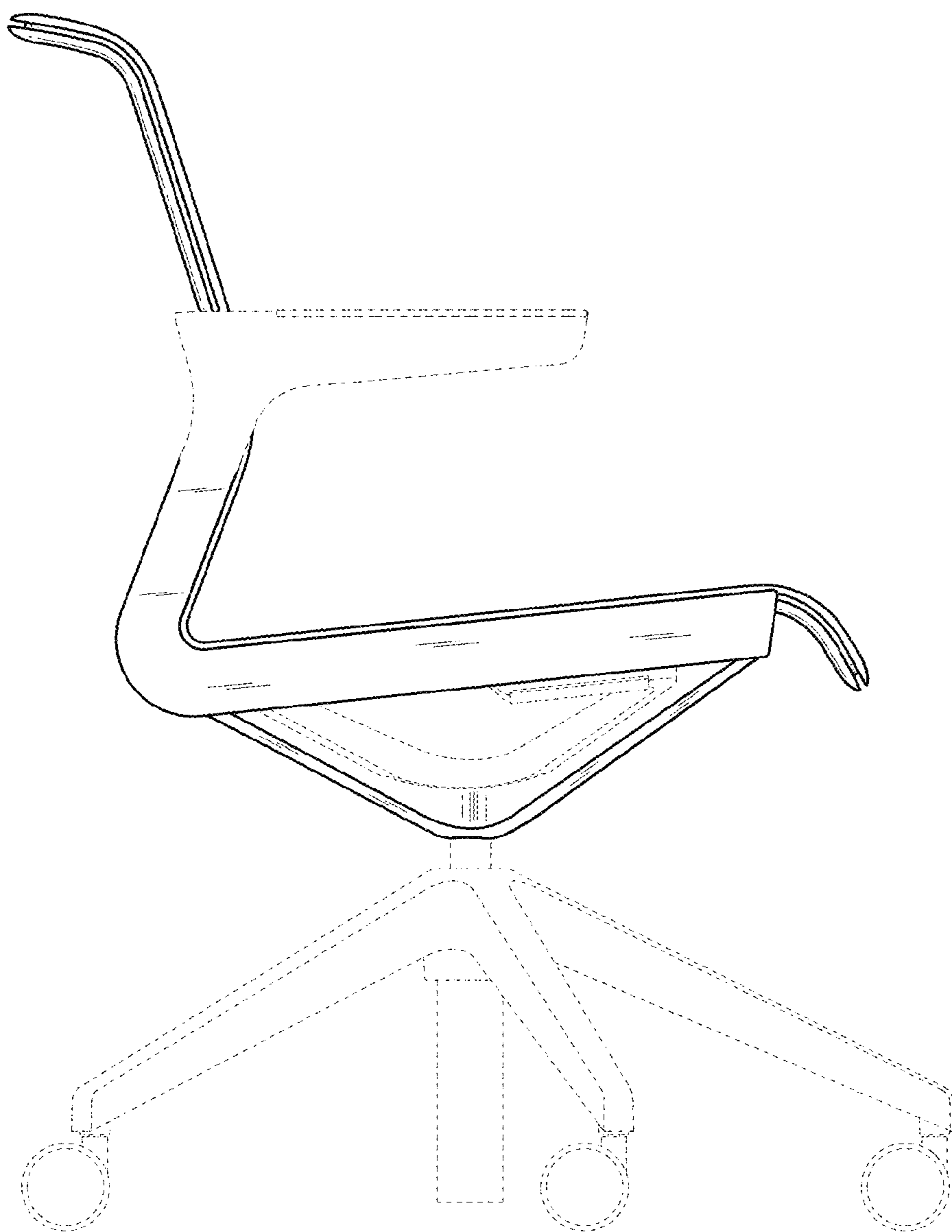


Fig. 30

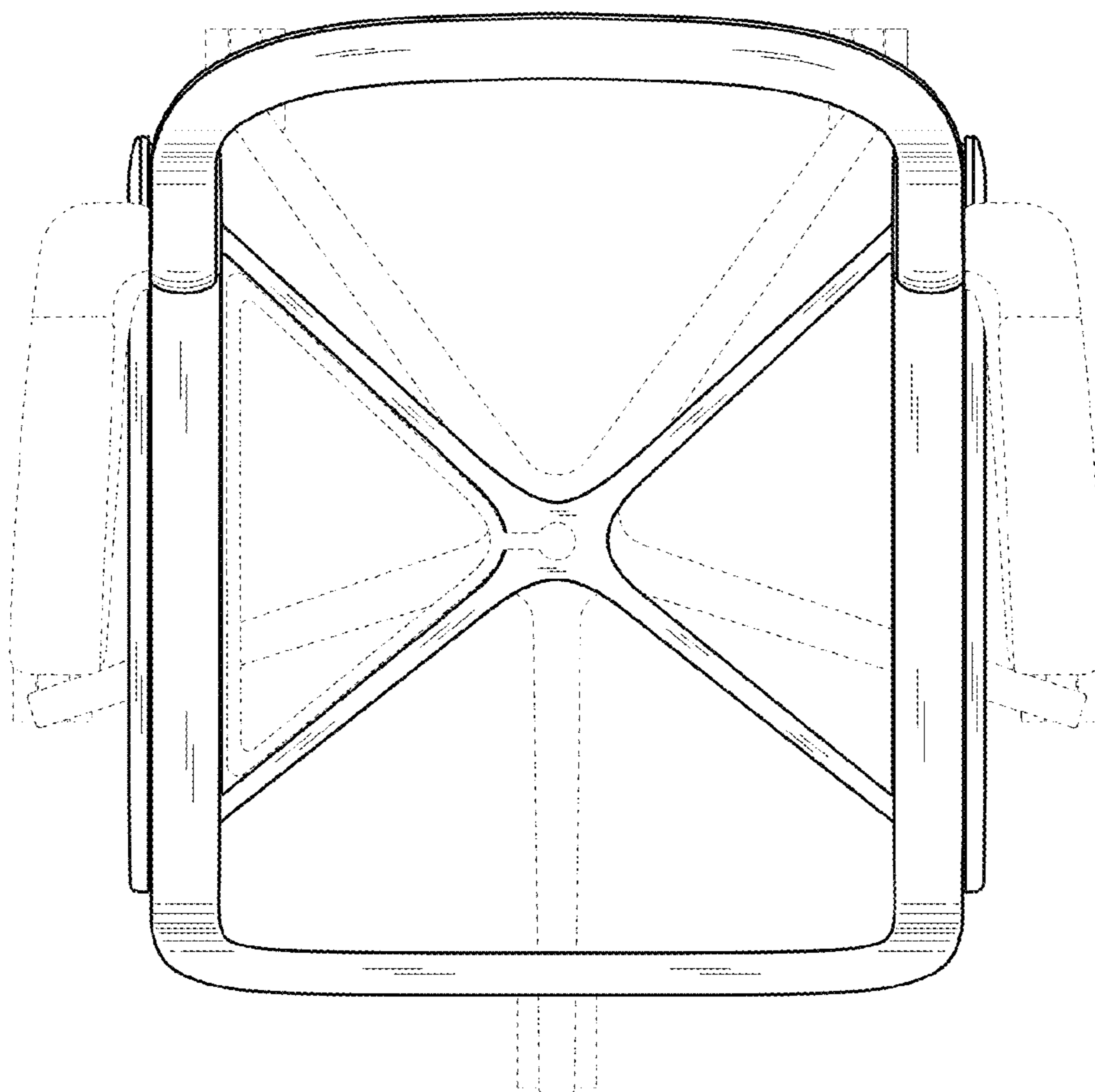


Fig. 31

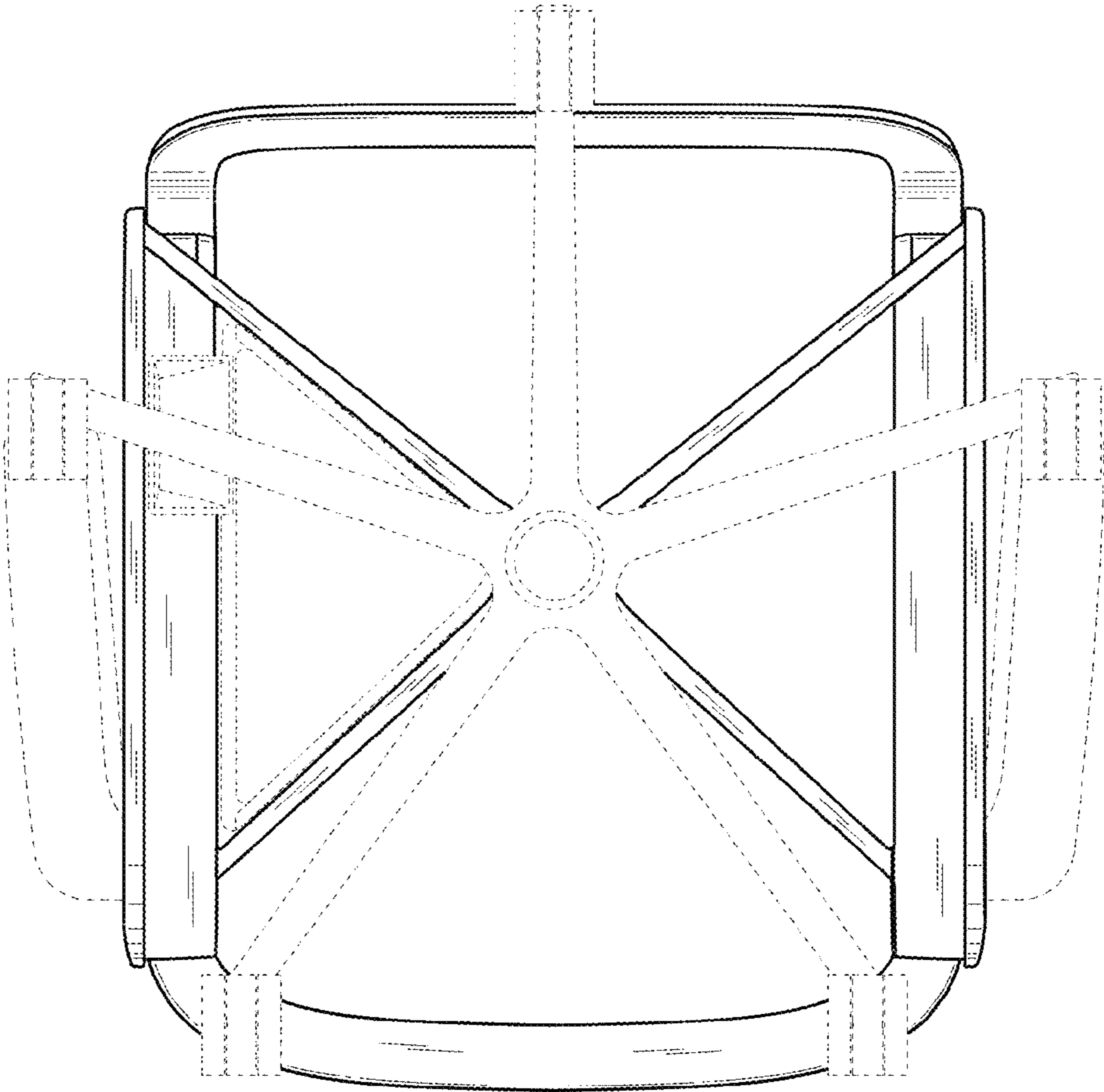


Fig. 32

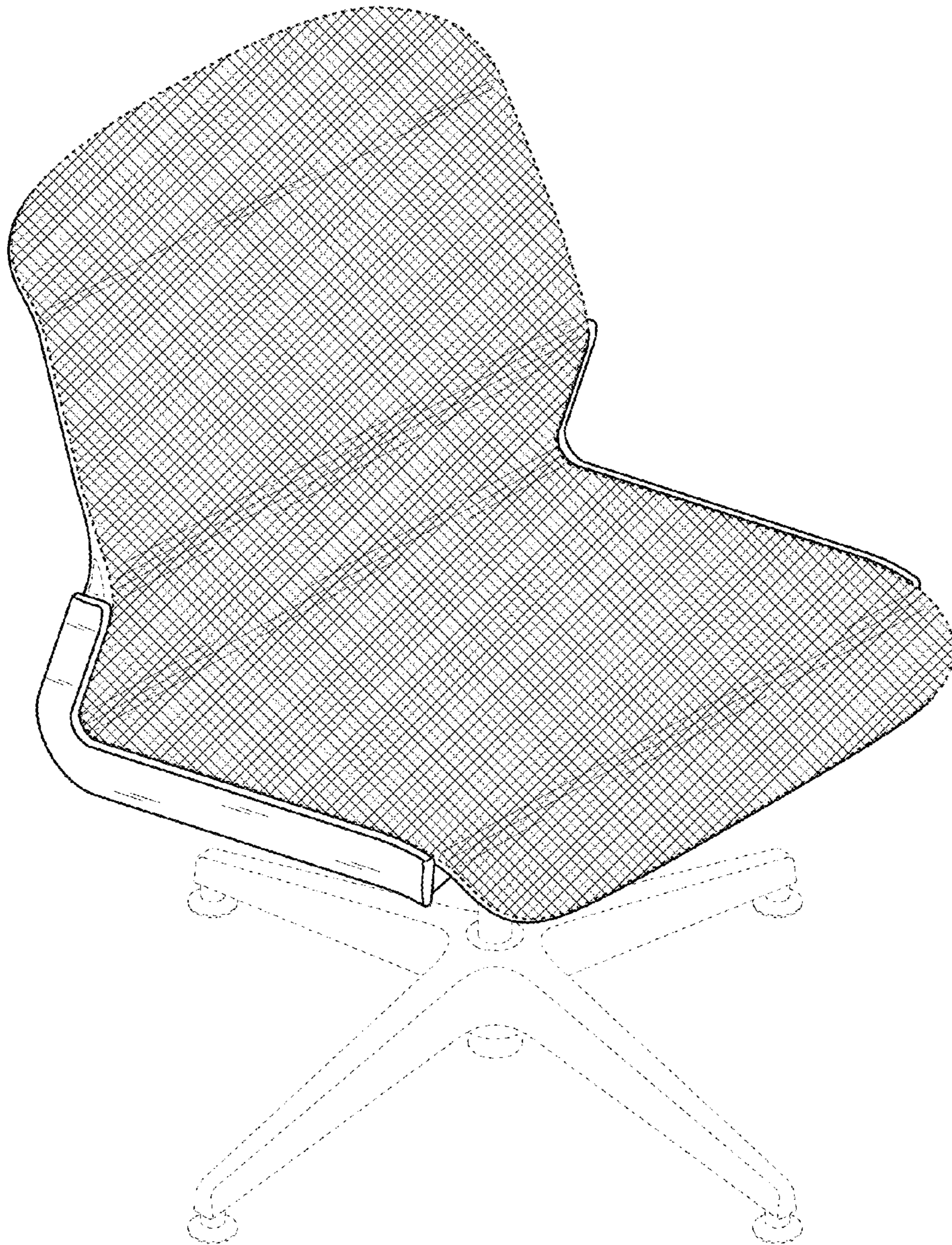


Fig. 33

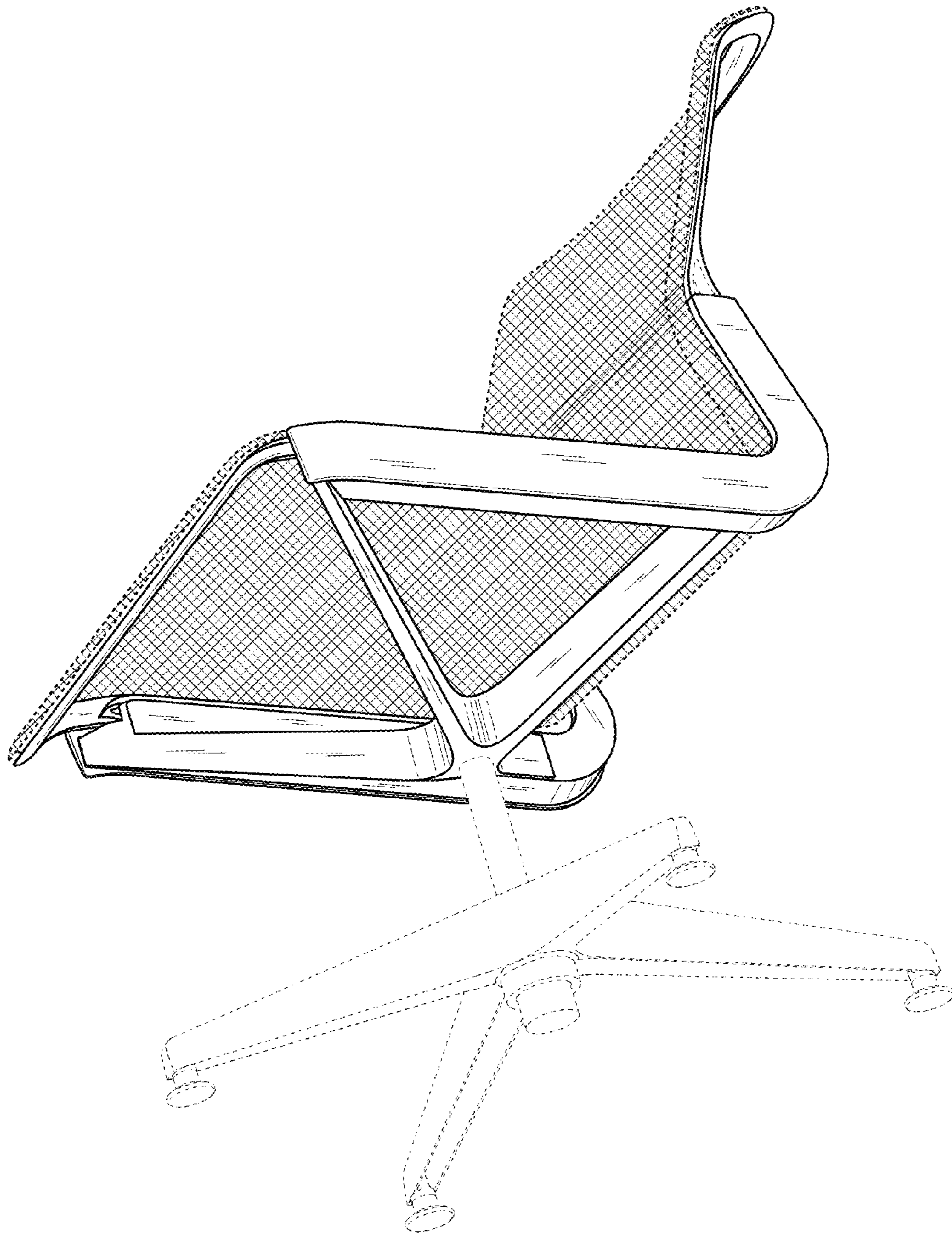


Fig. 34

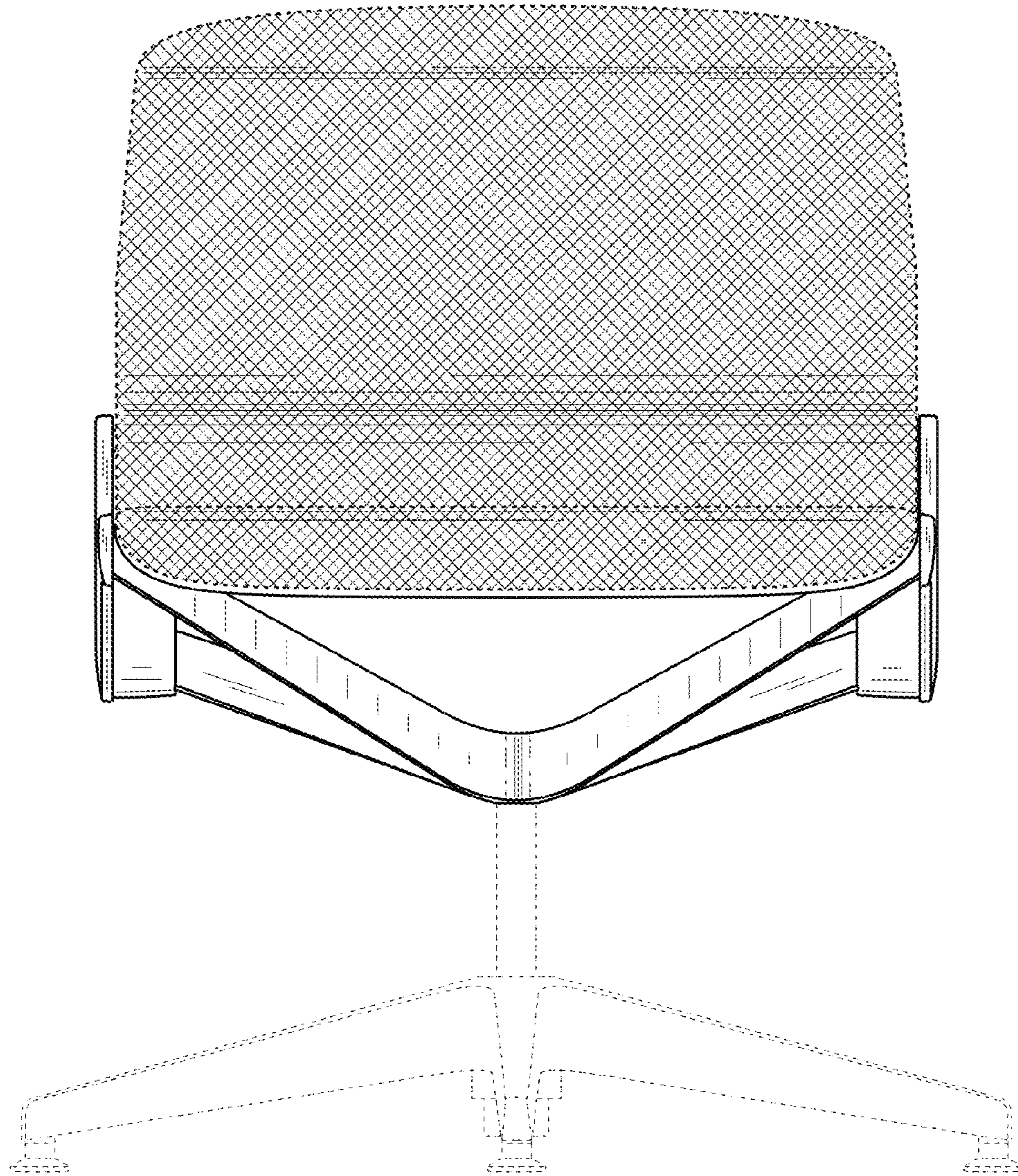


Fig. 35

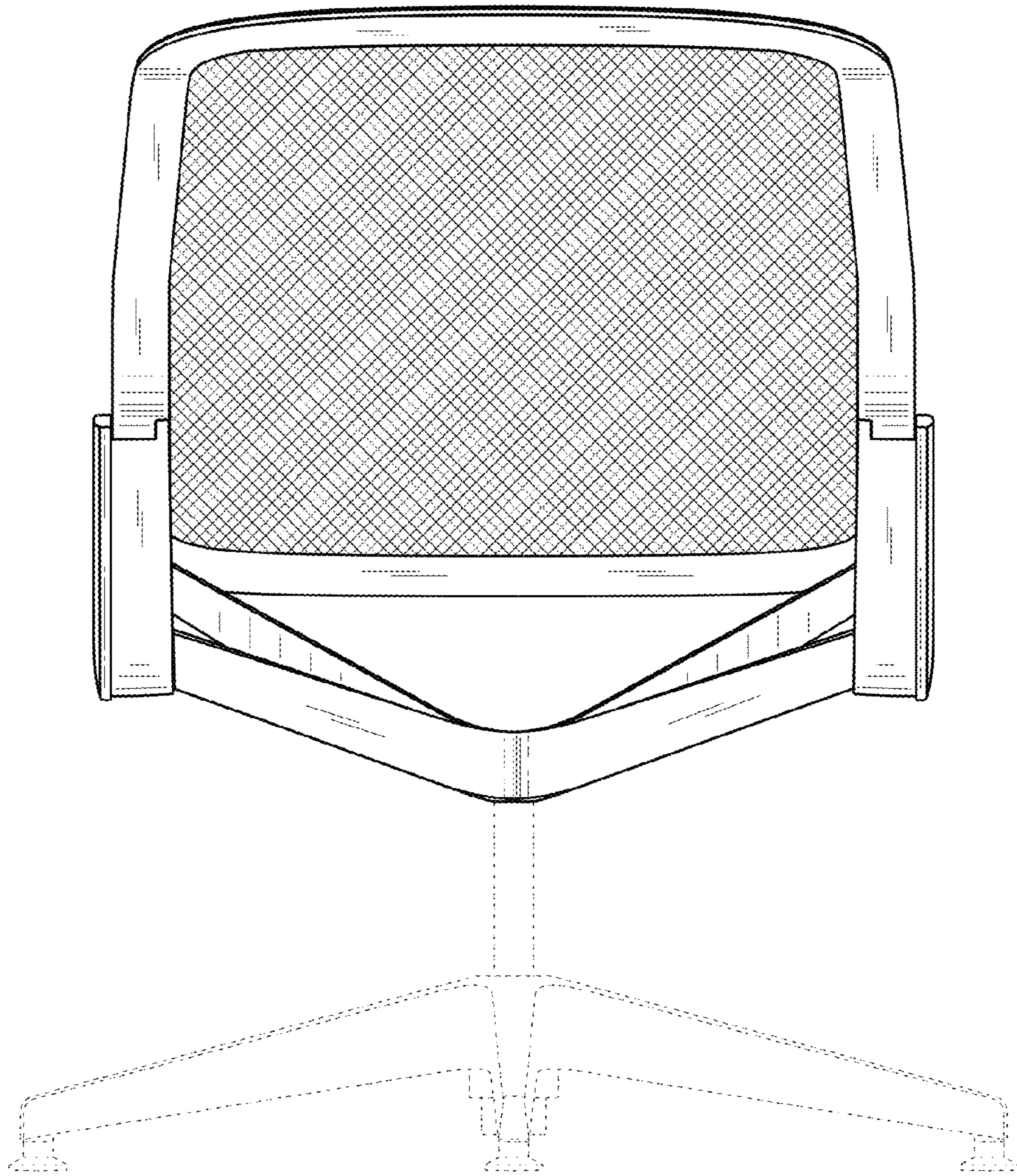


Fig. 36

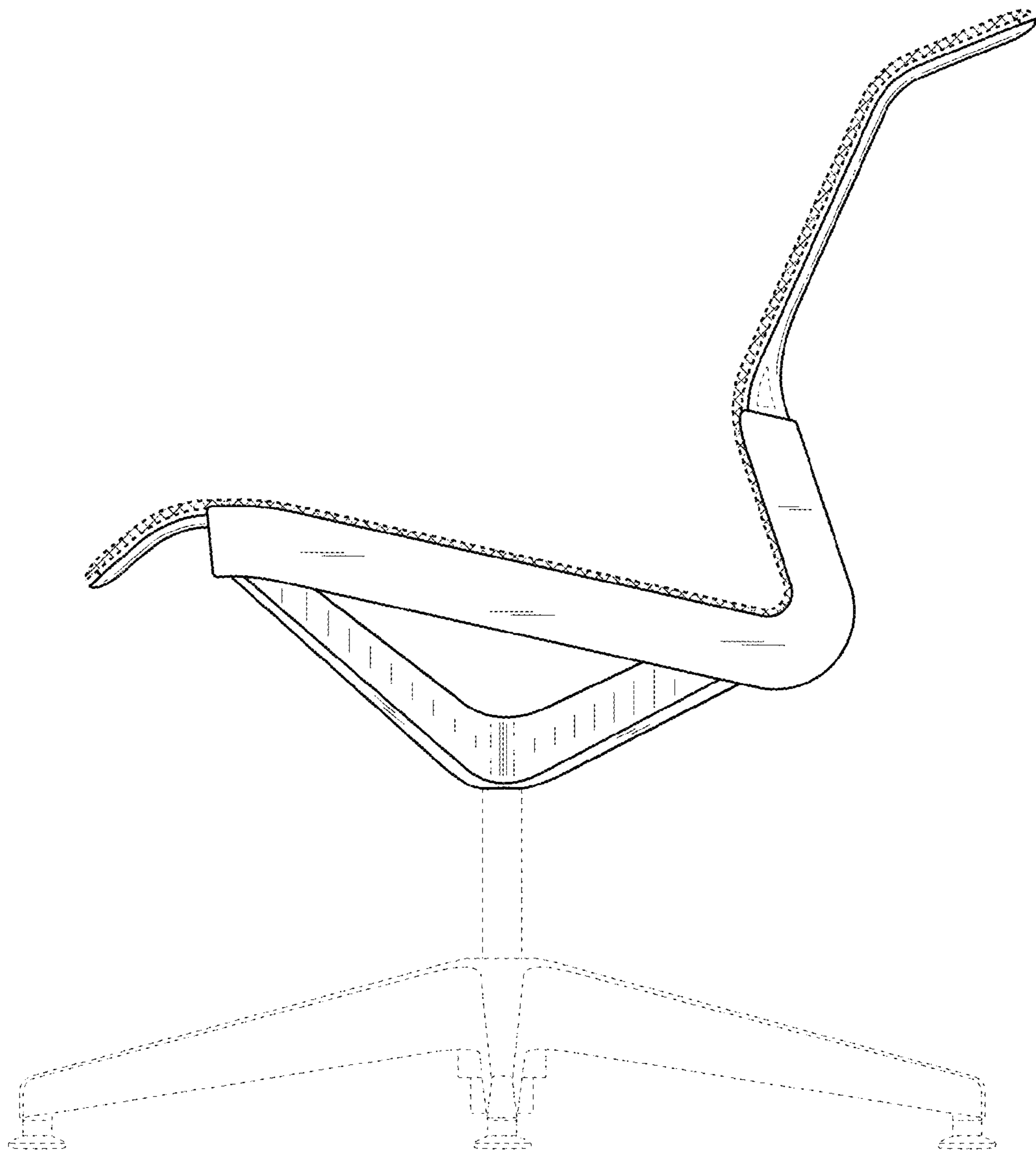


Fig. 37

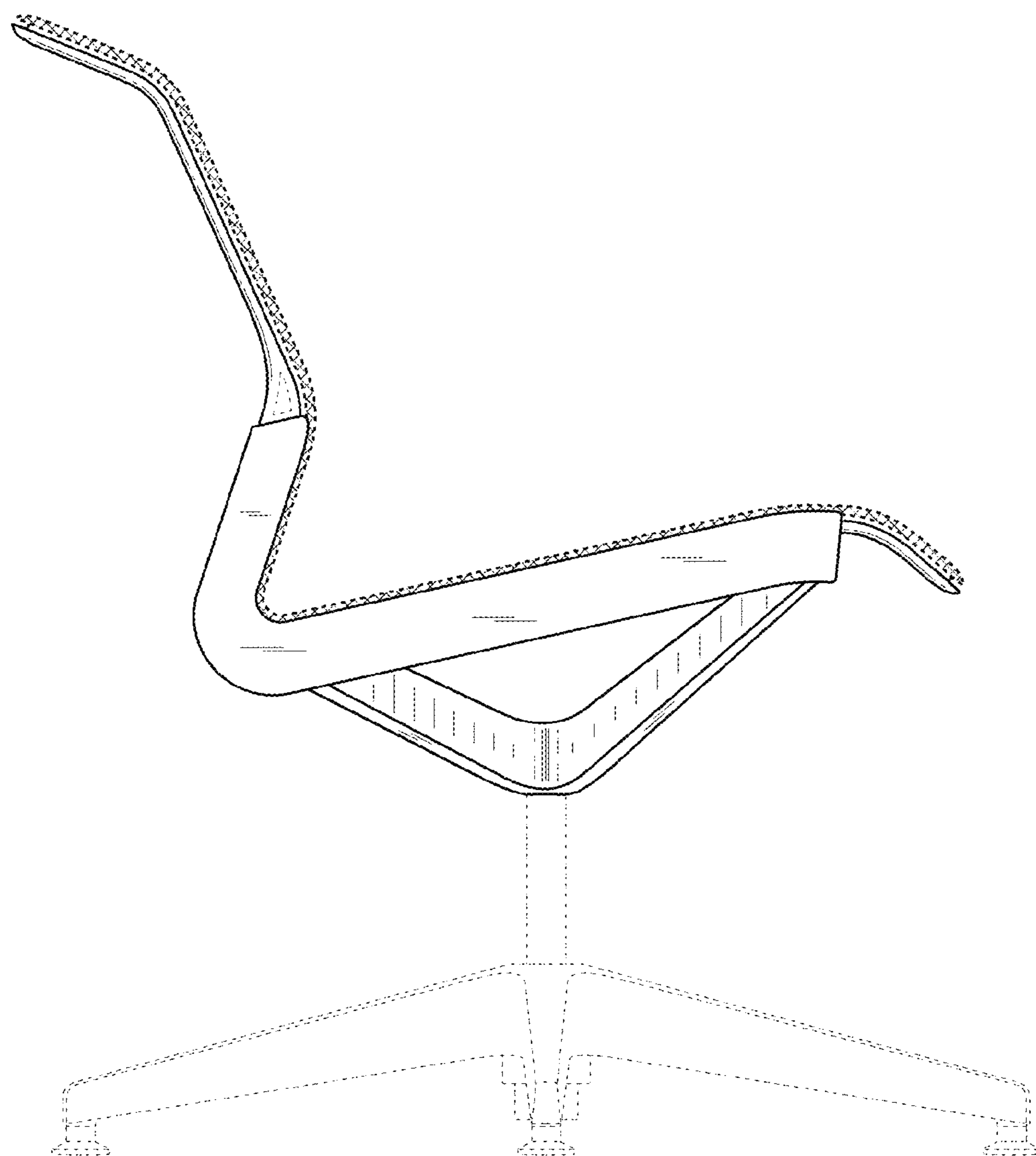


Fig. 38

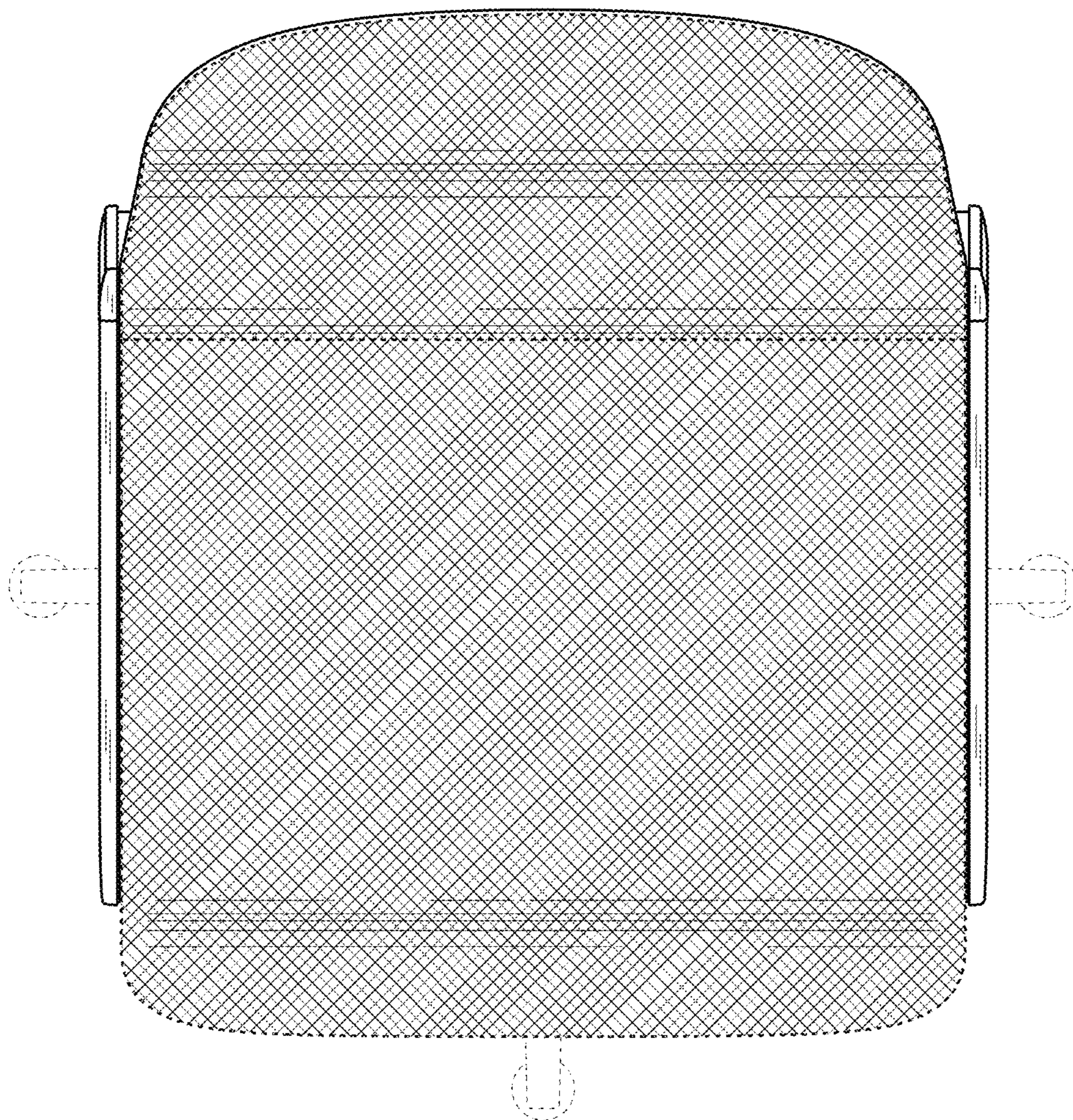


Fig. 39

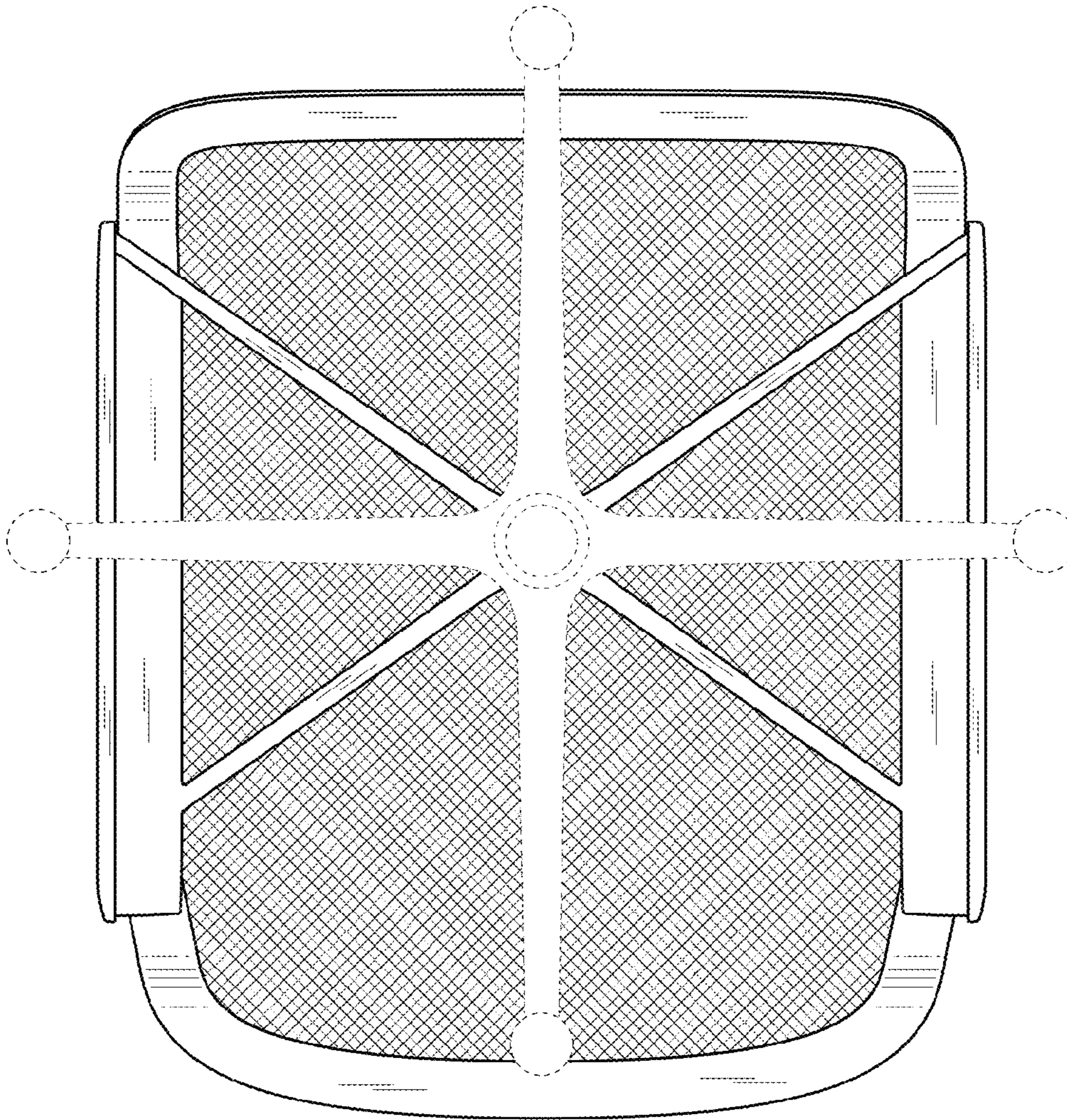


Fig. 40

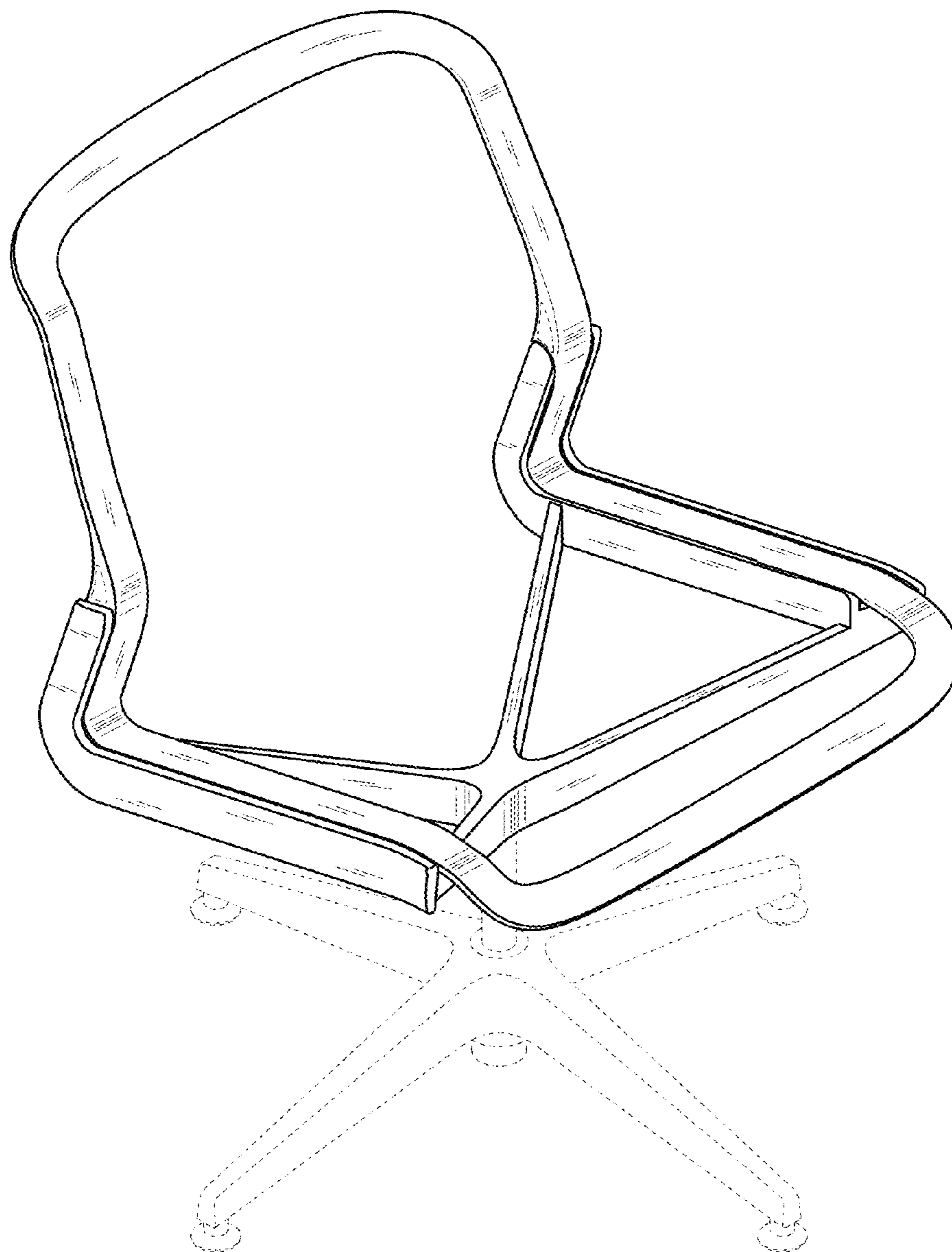


Fig. 41

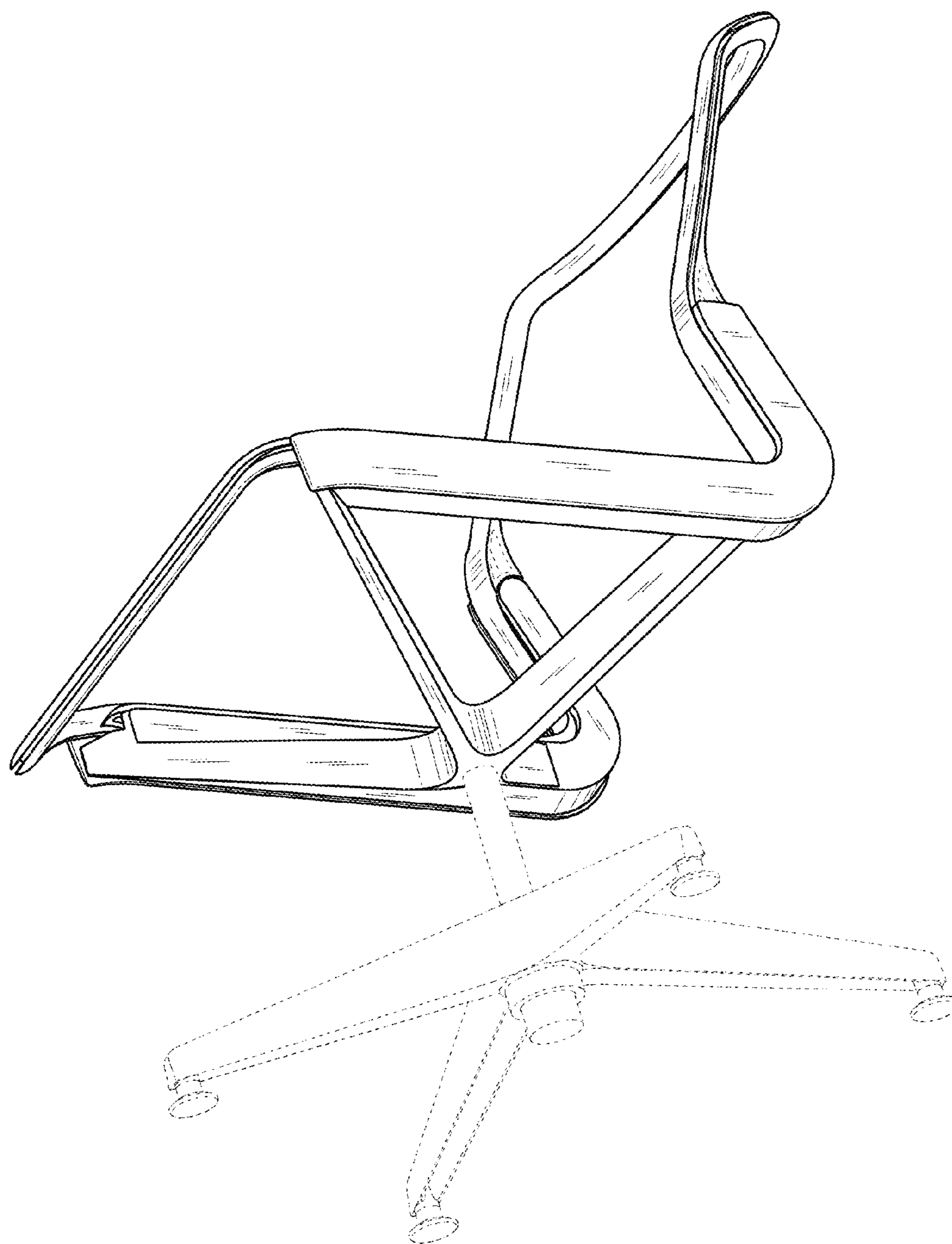


Fig. 42

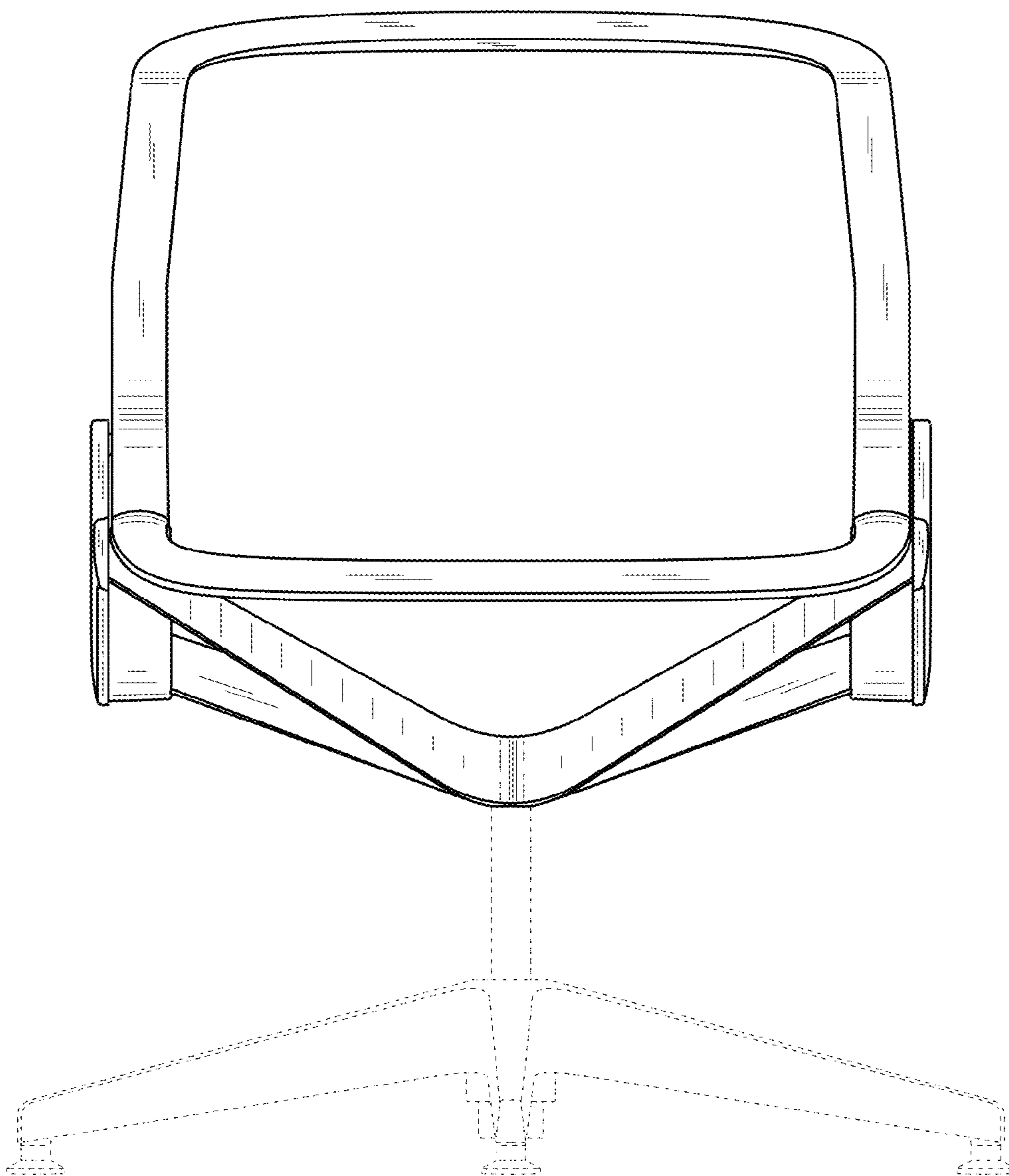


Fig. 43

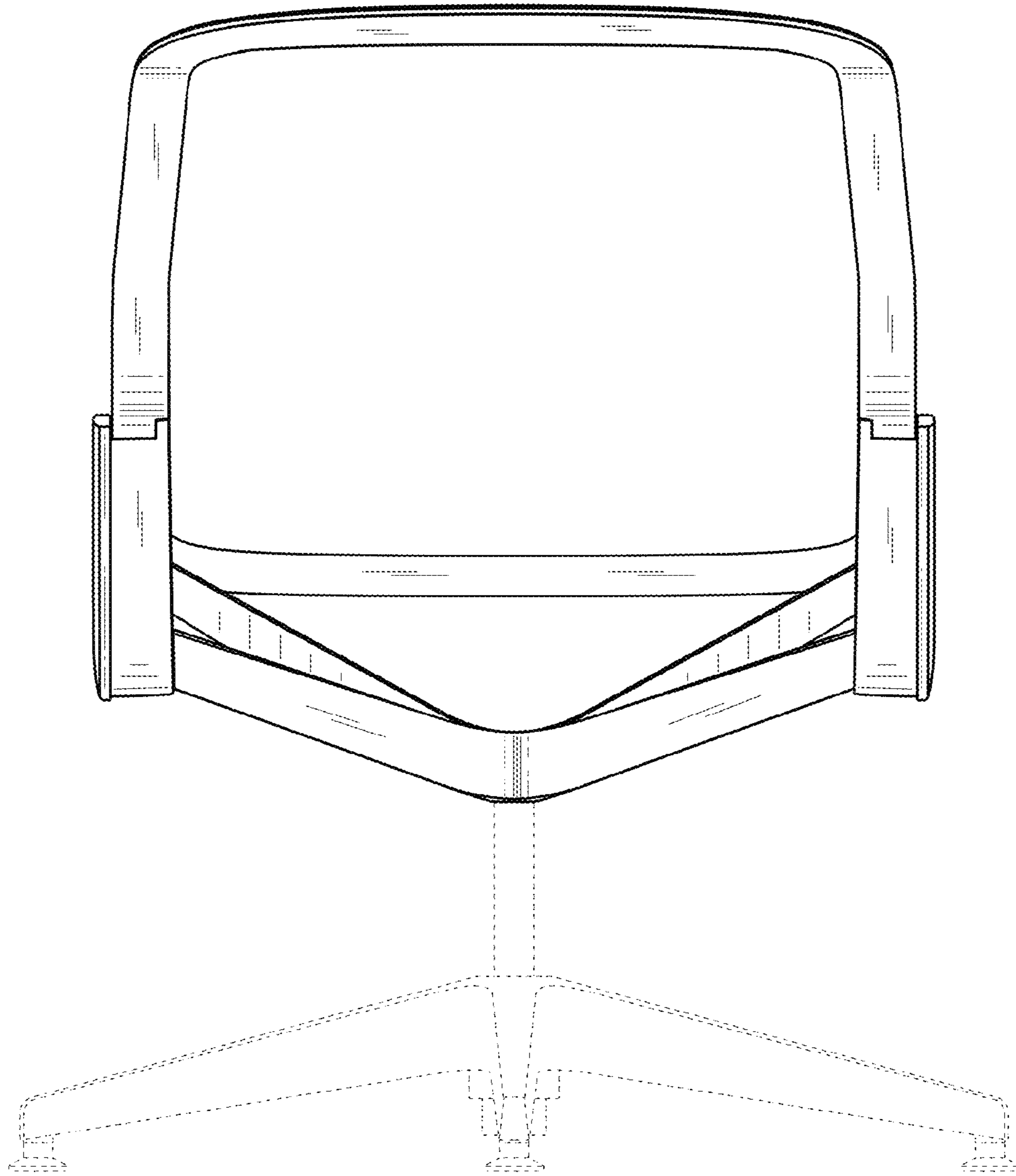


Fig. 44

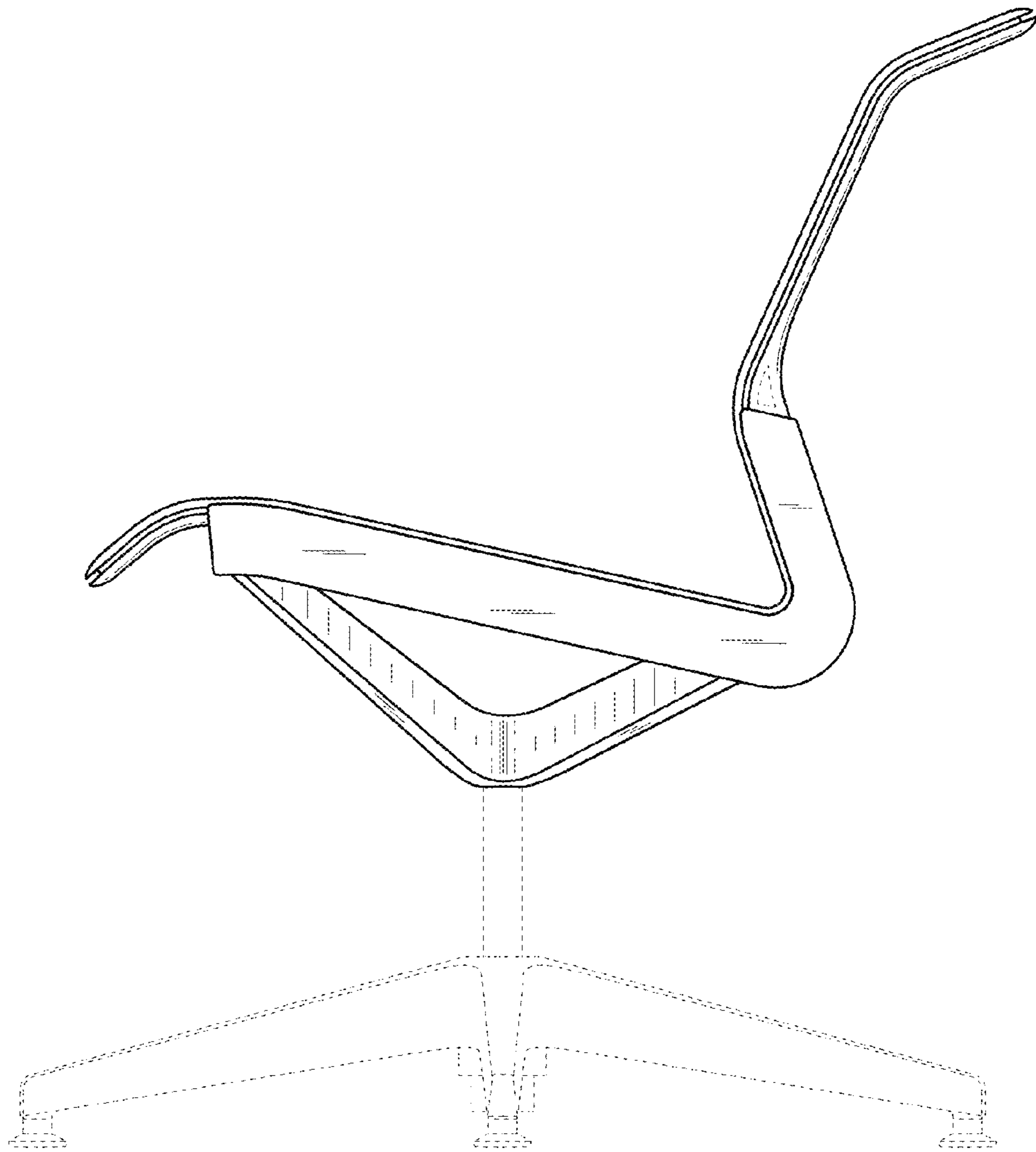


Fig. 45

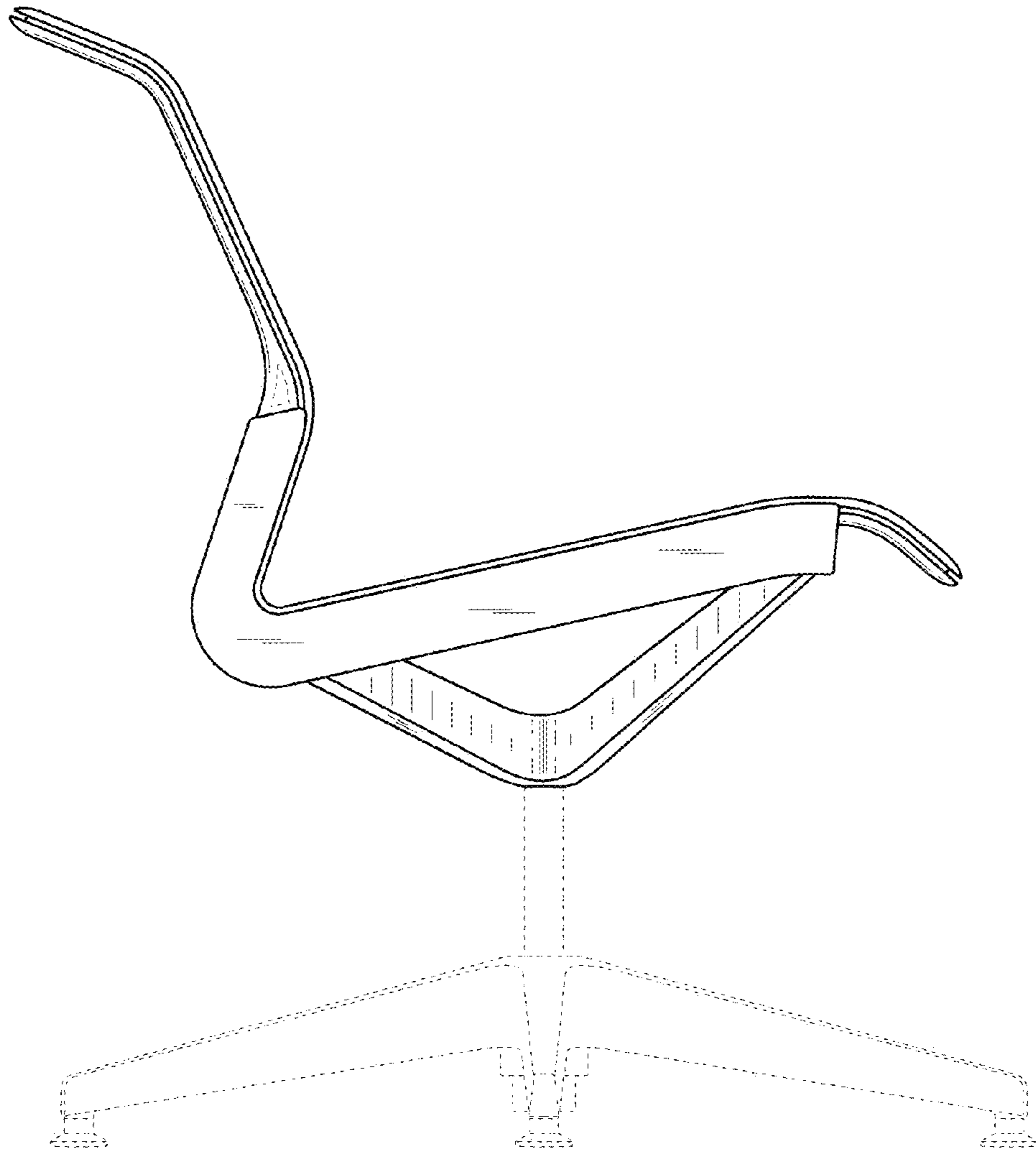


Fig. 46

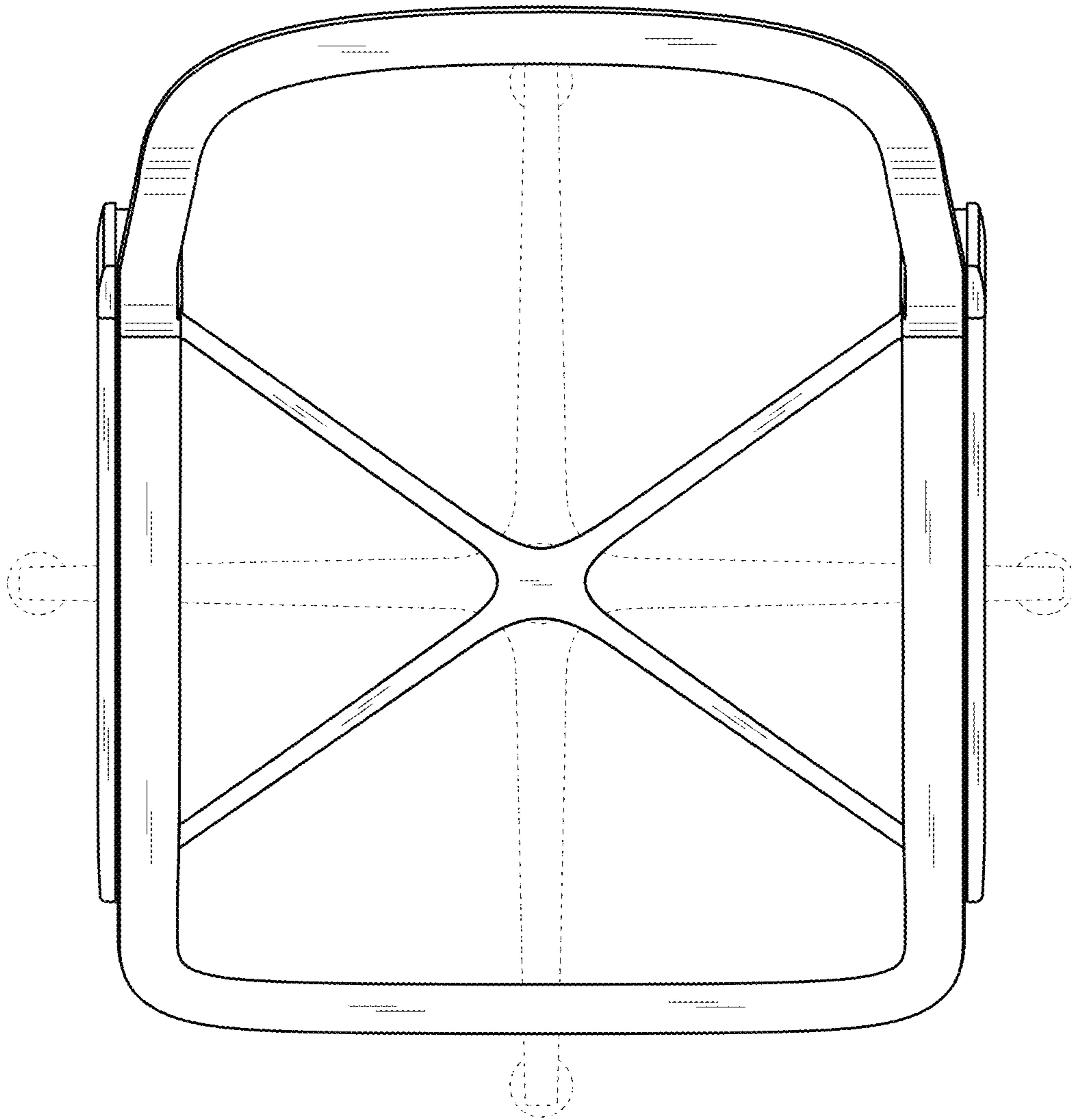


Fig. 47

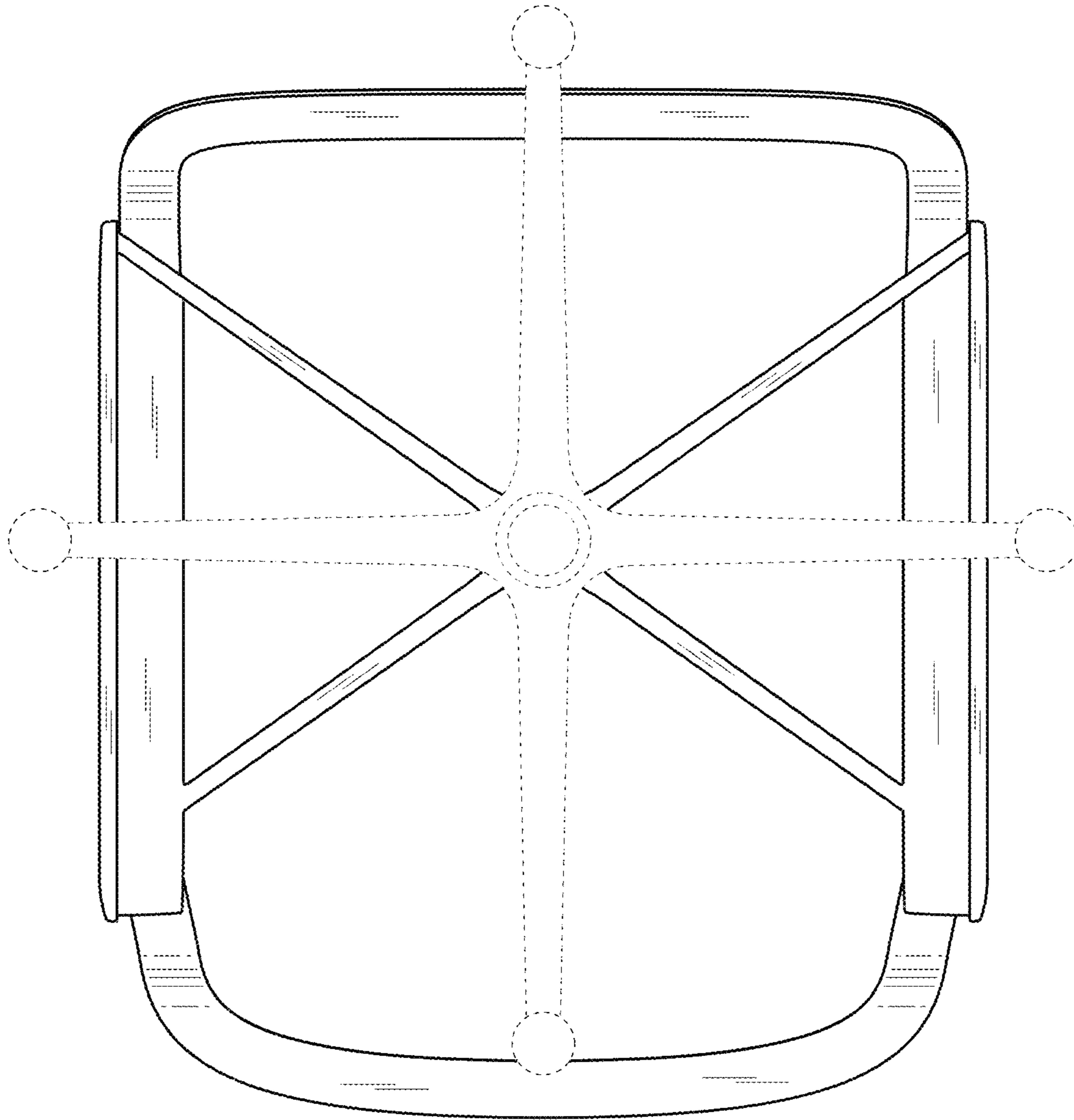


Fig. 48

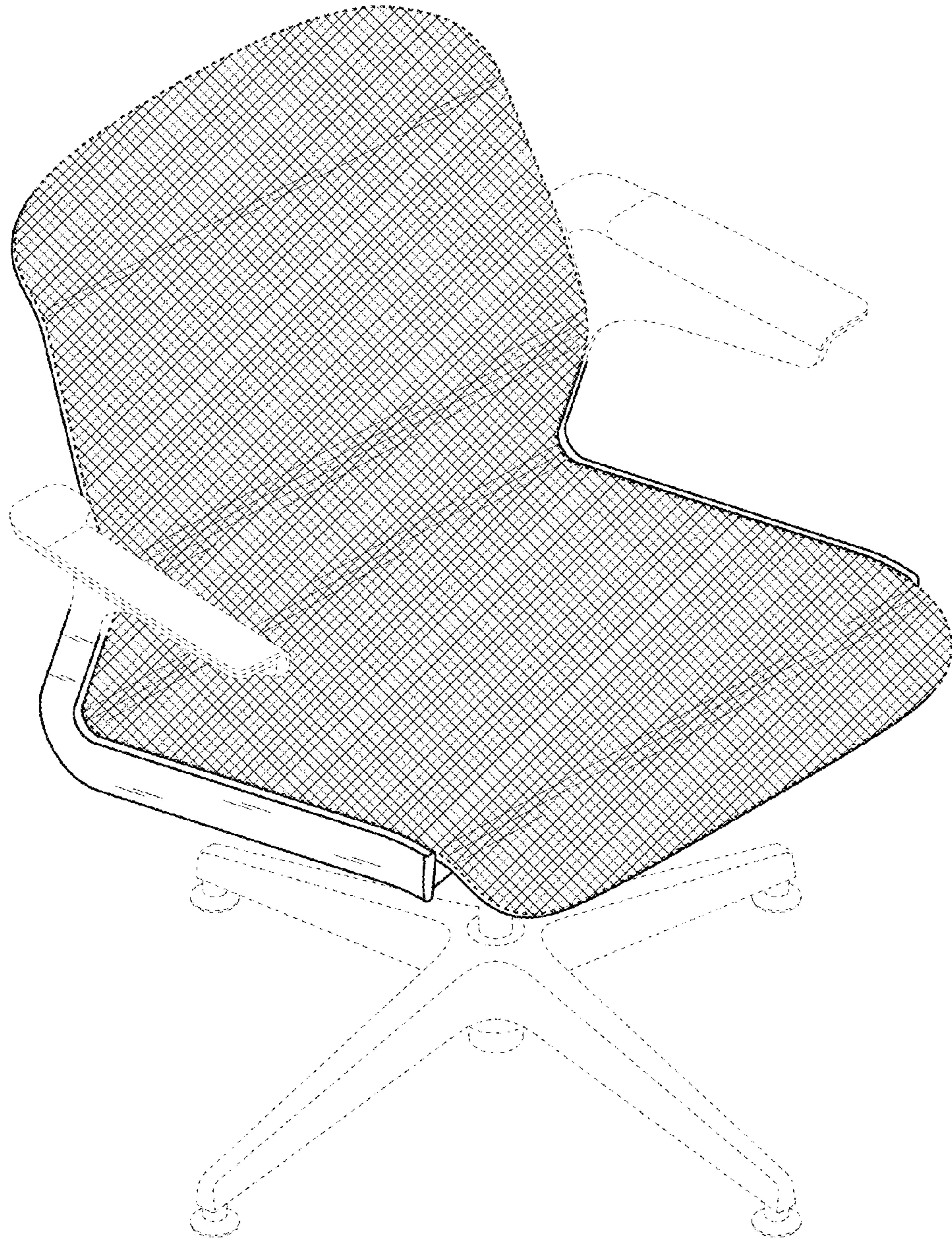


Fig. 49

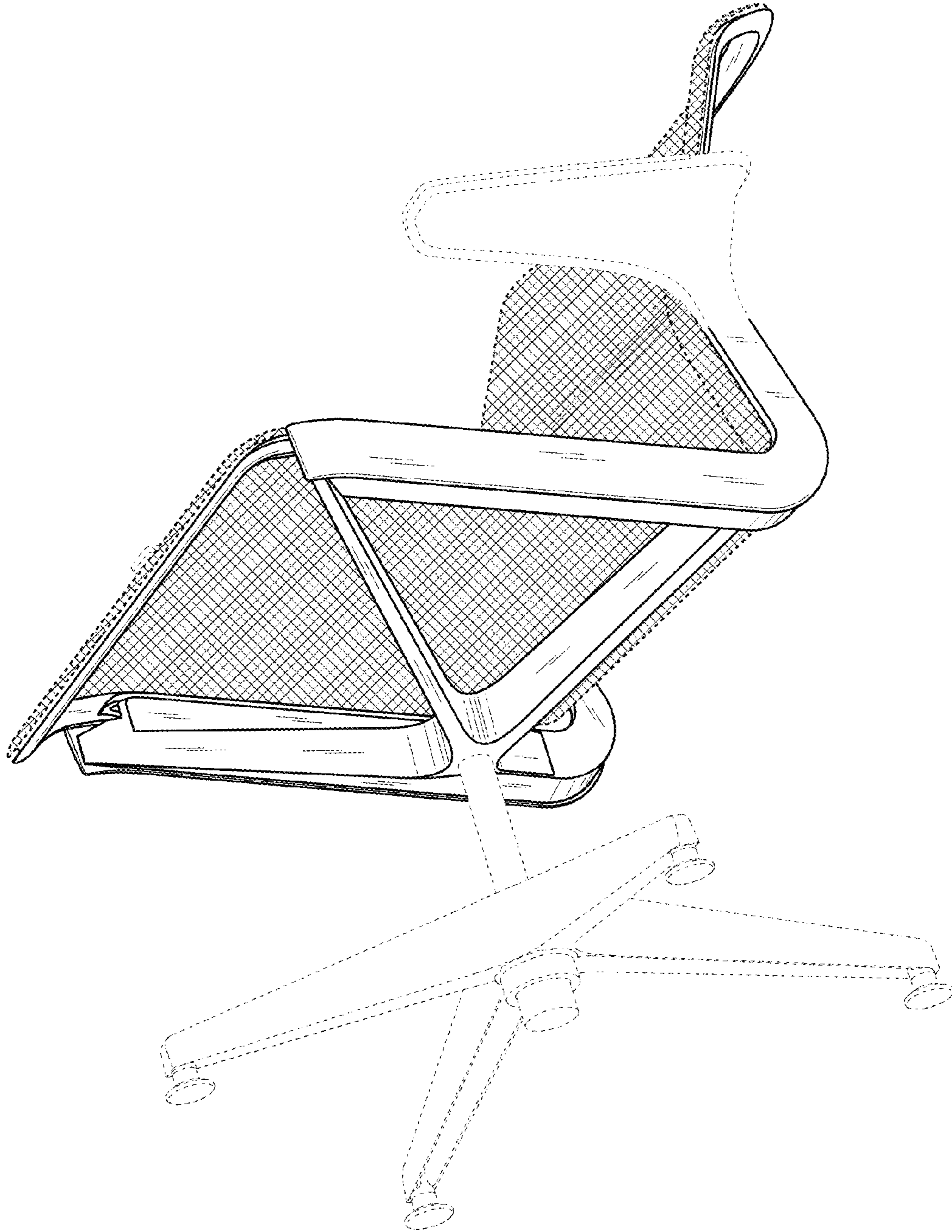


Fig. 50

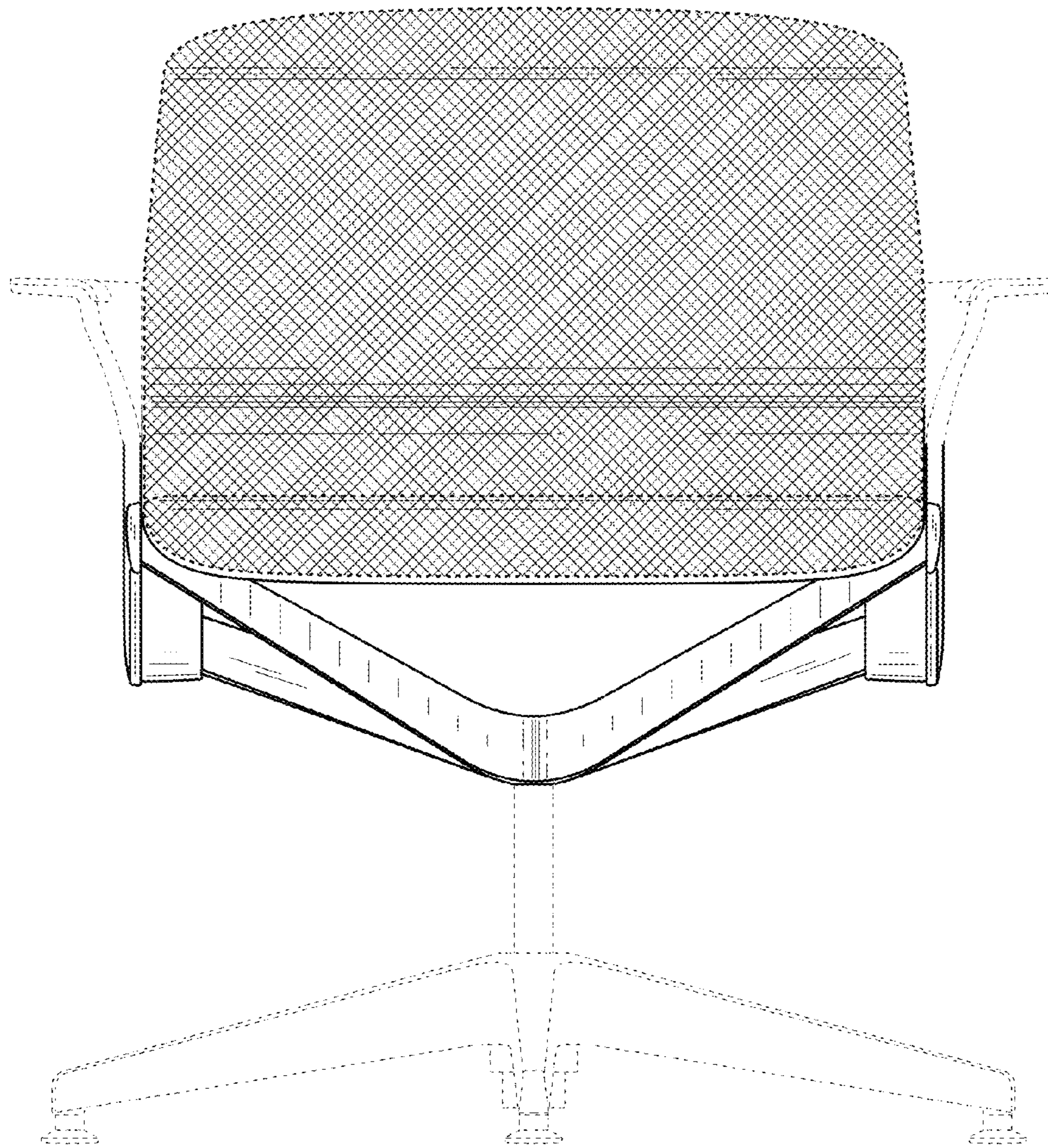


Fig. 51

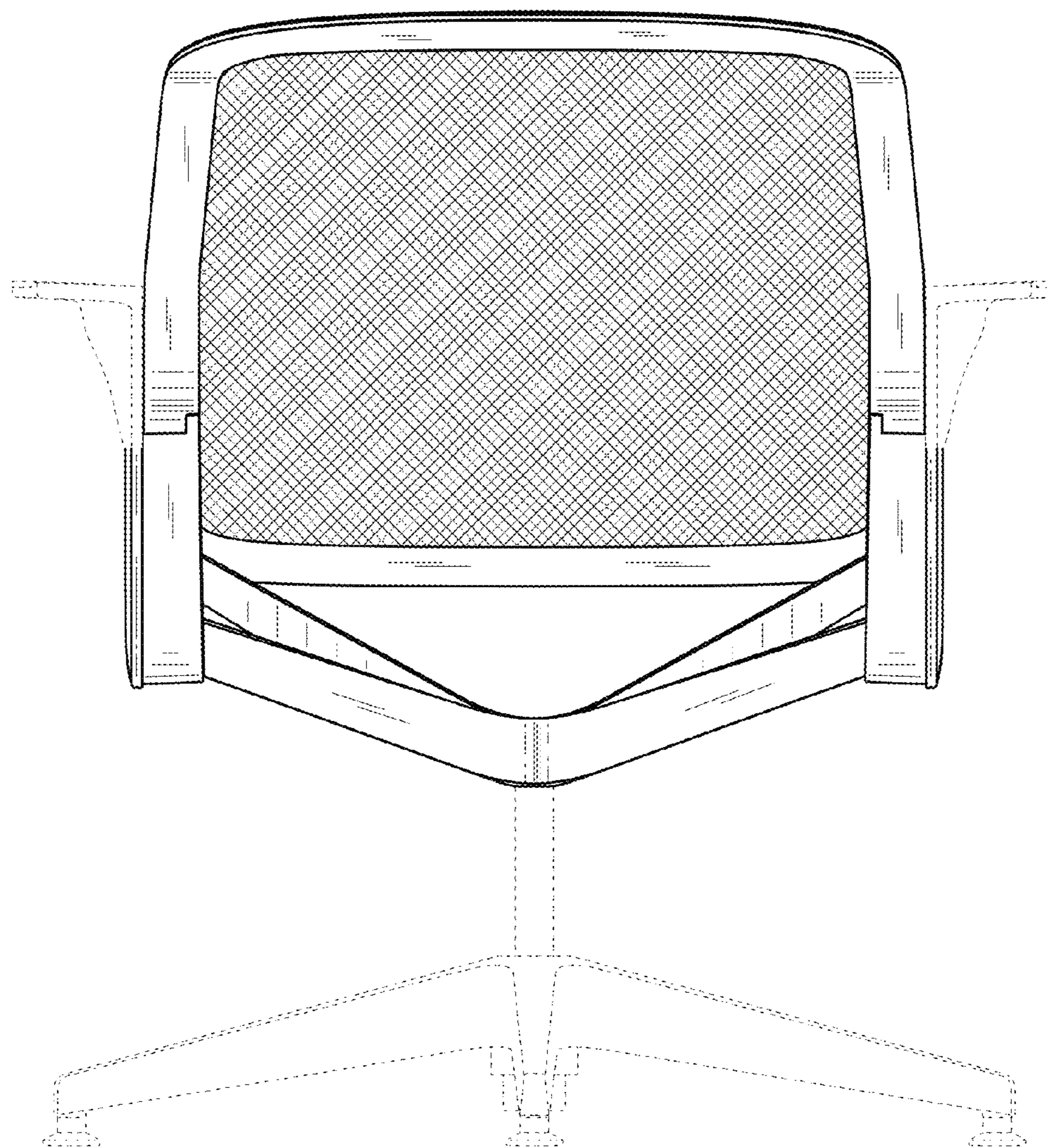


Fig. 52

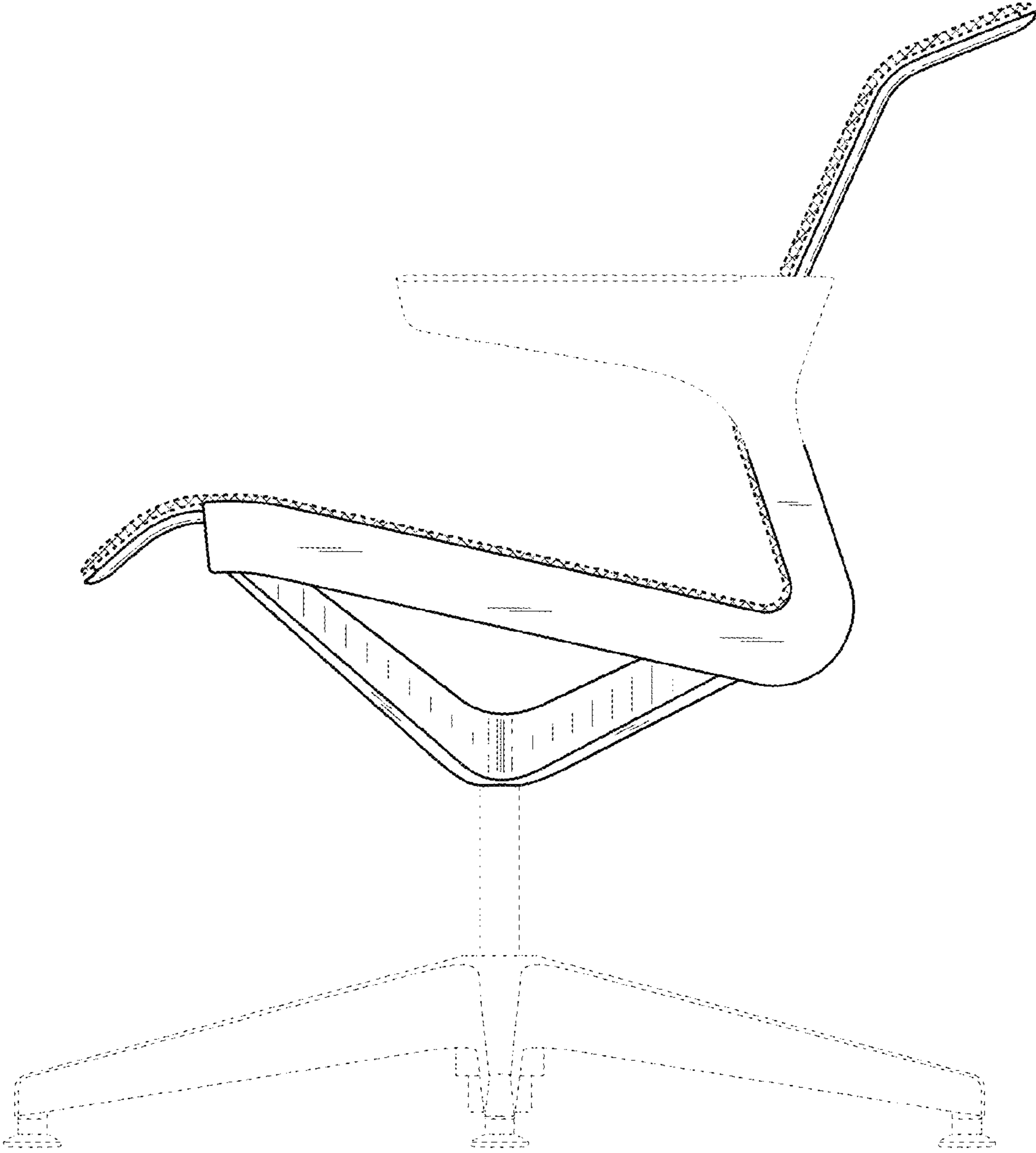


Fig. 53

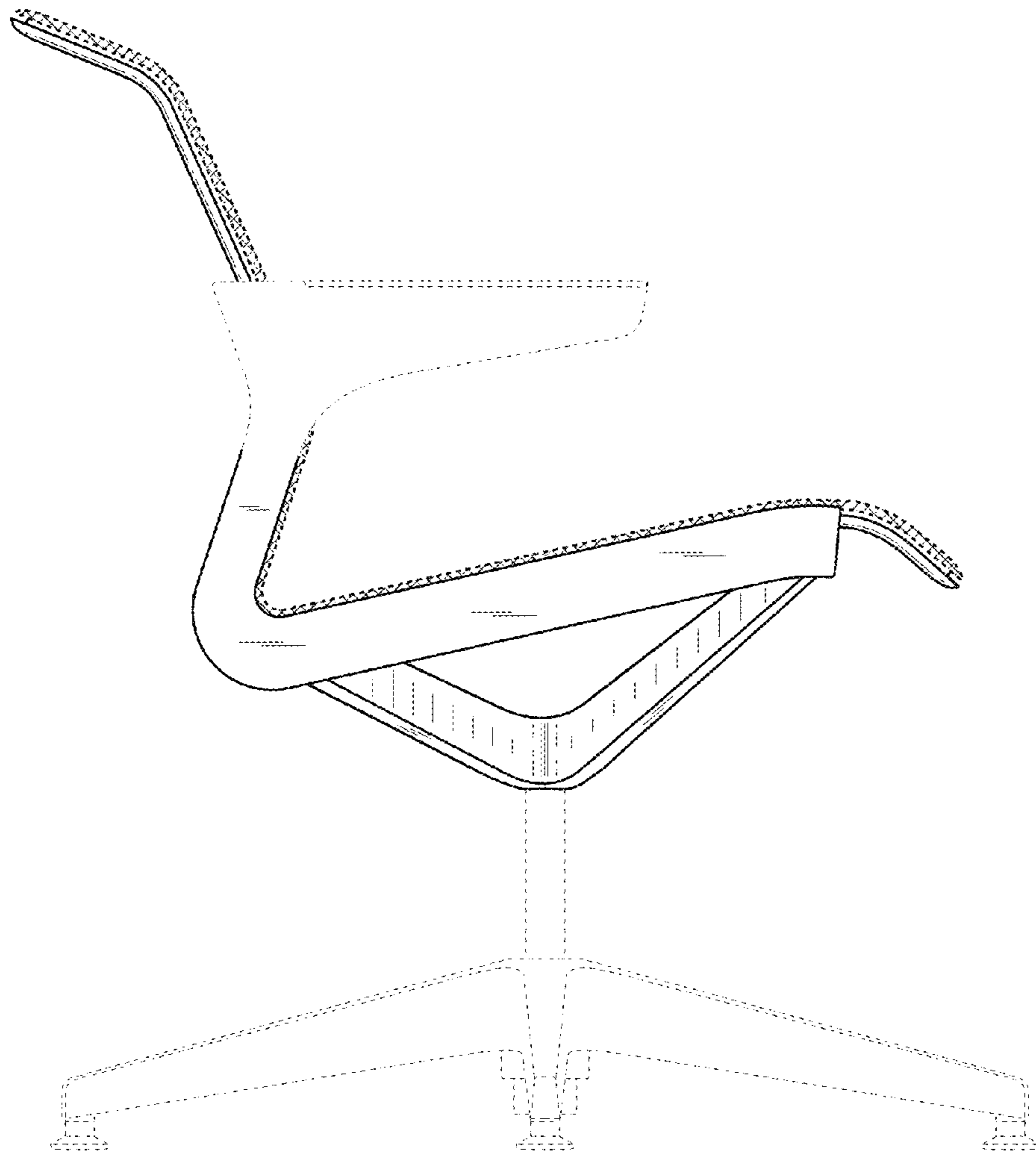


Fig. 54



Fig. 55

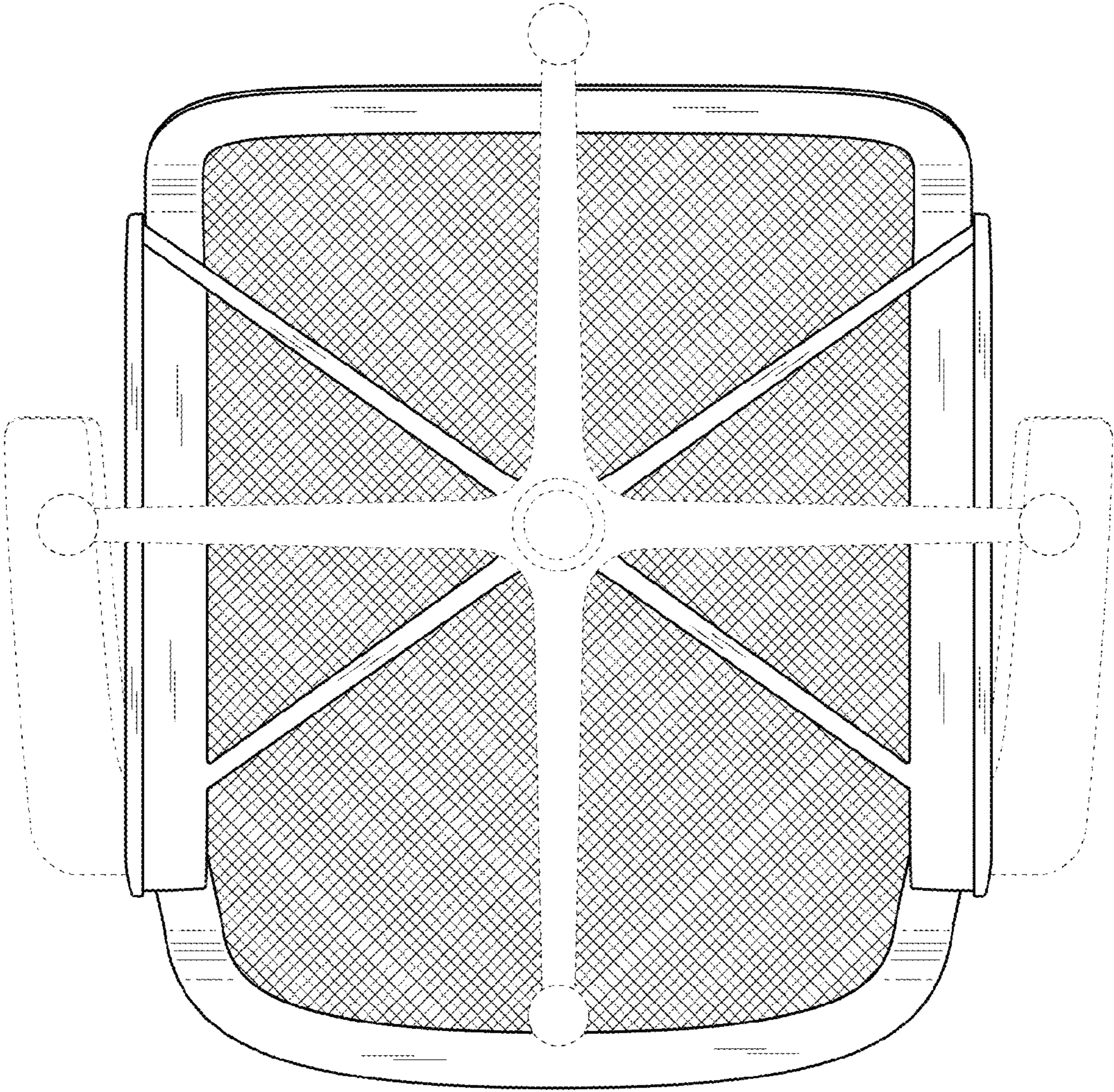


Fig. 56

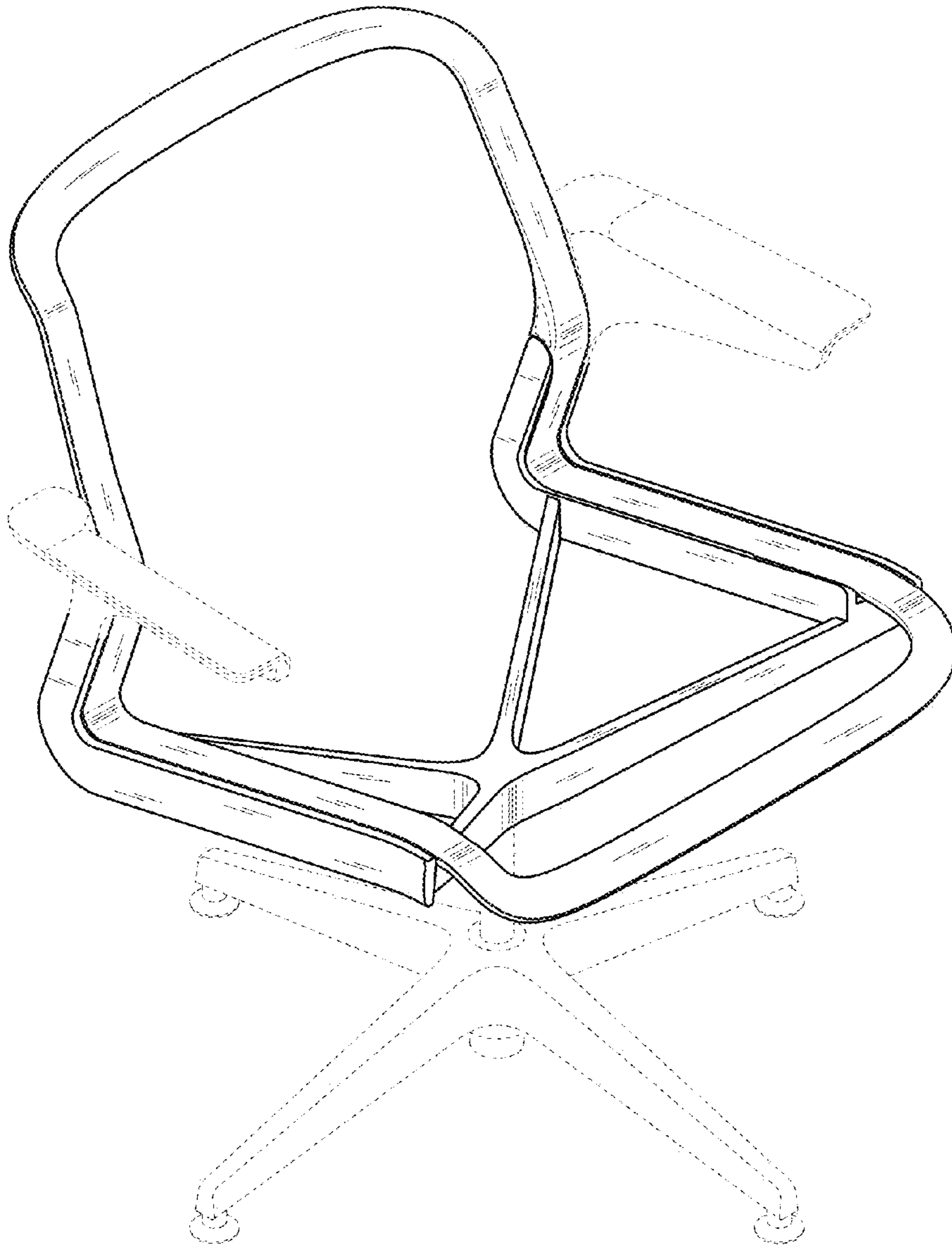


Fig. 57

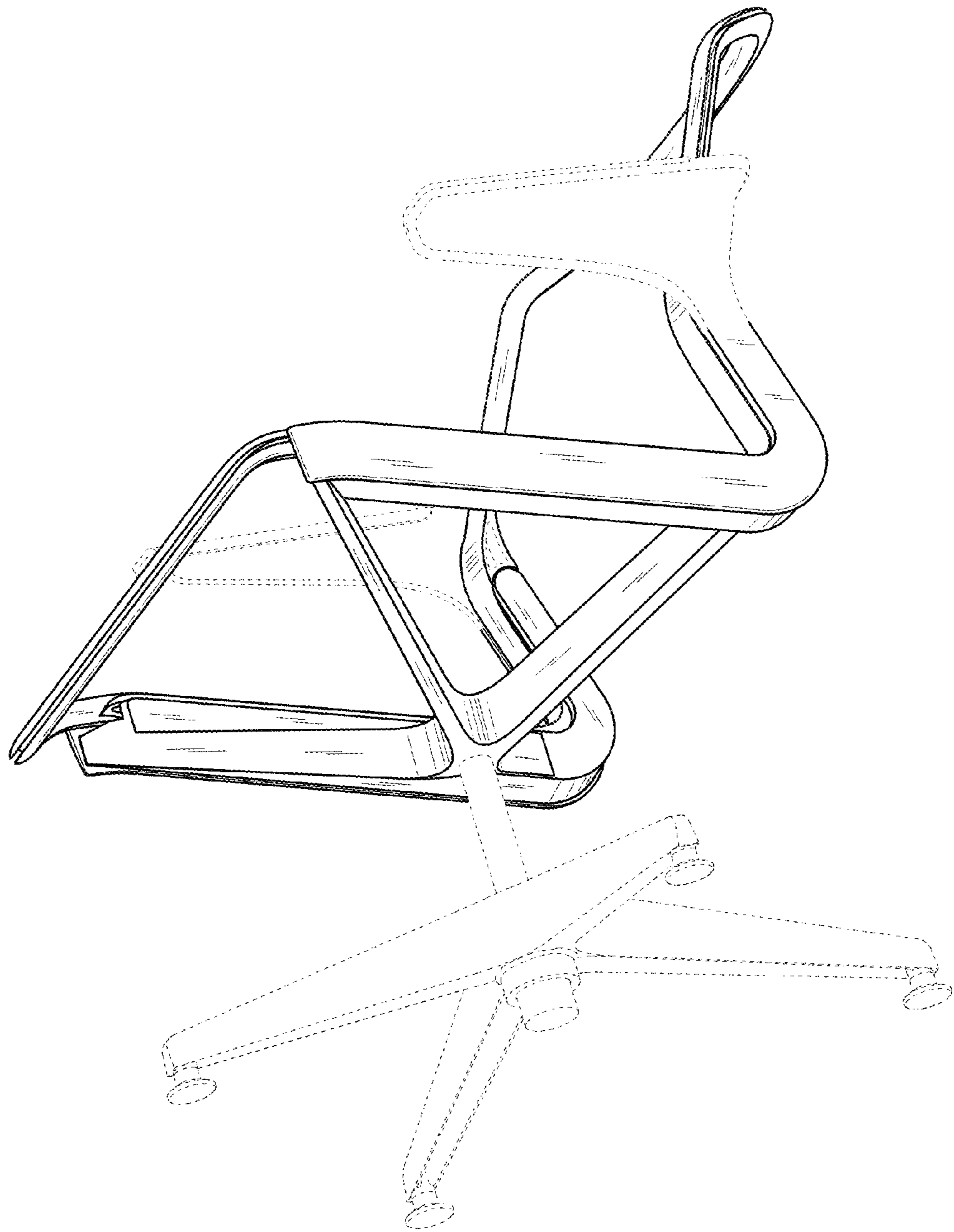


Fig. 58

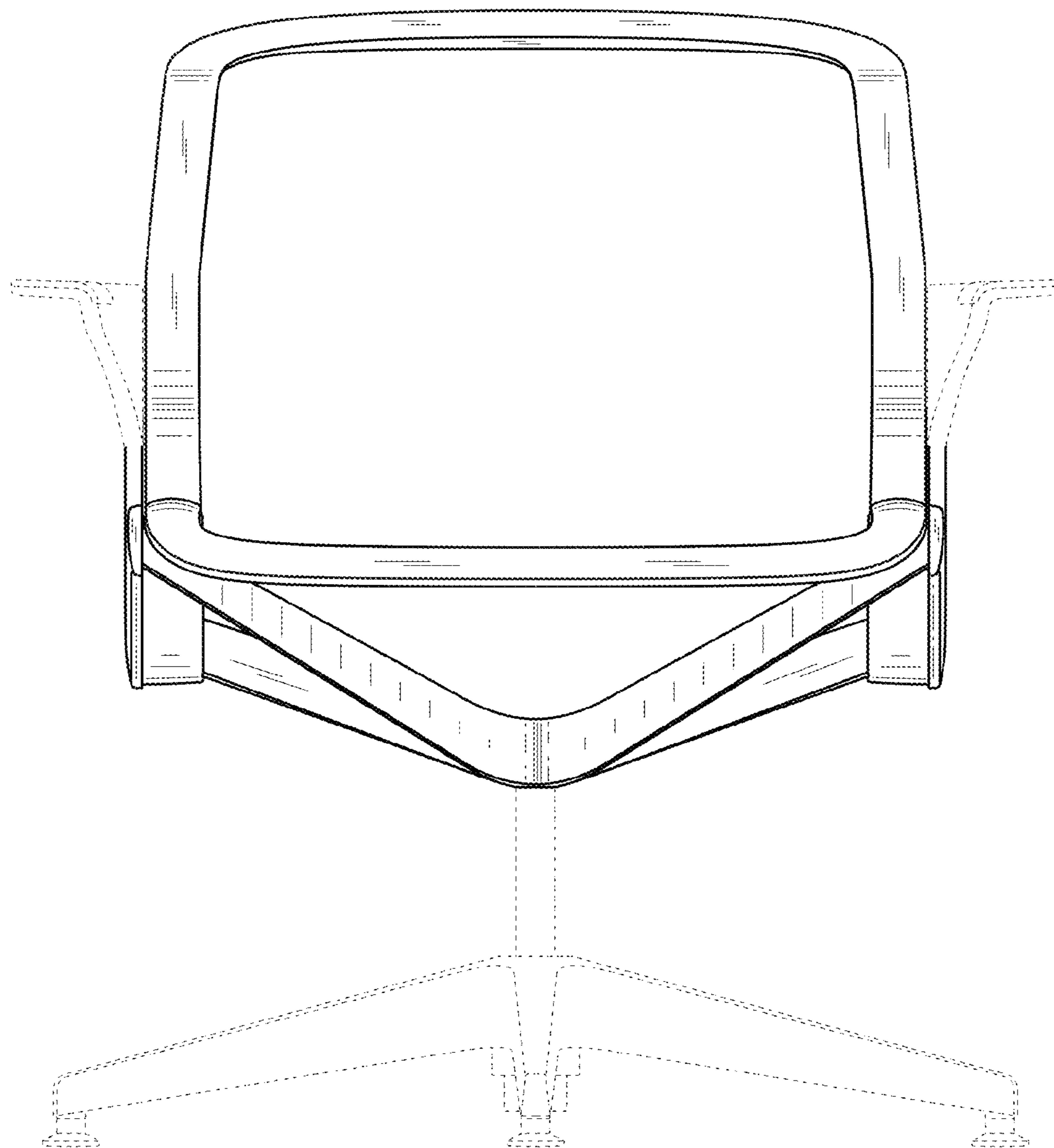


Fig. 59

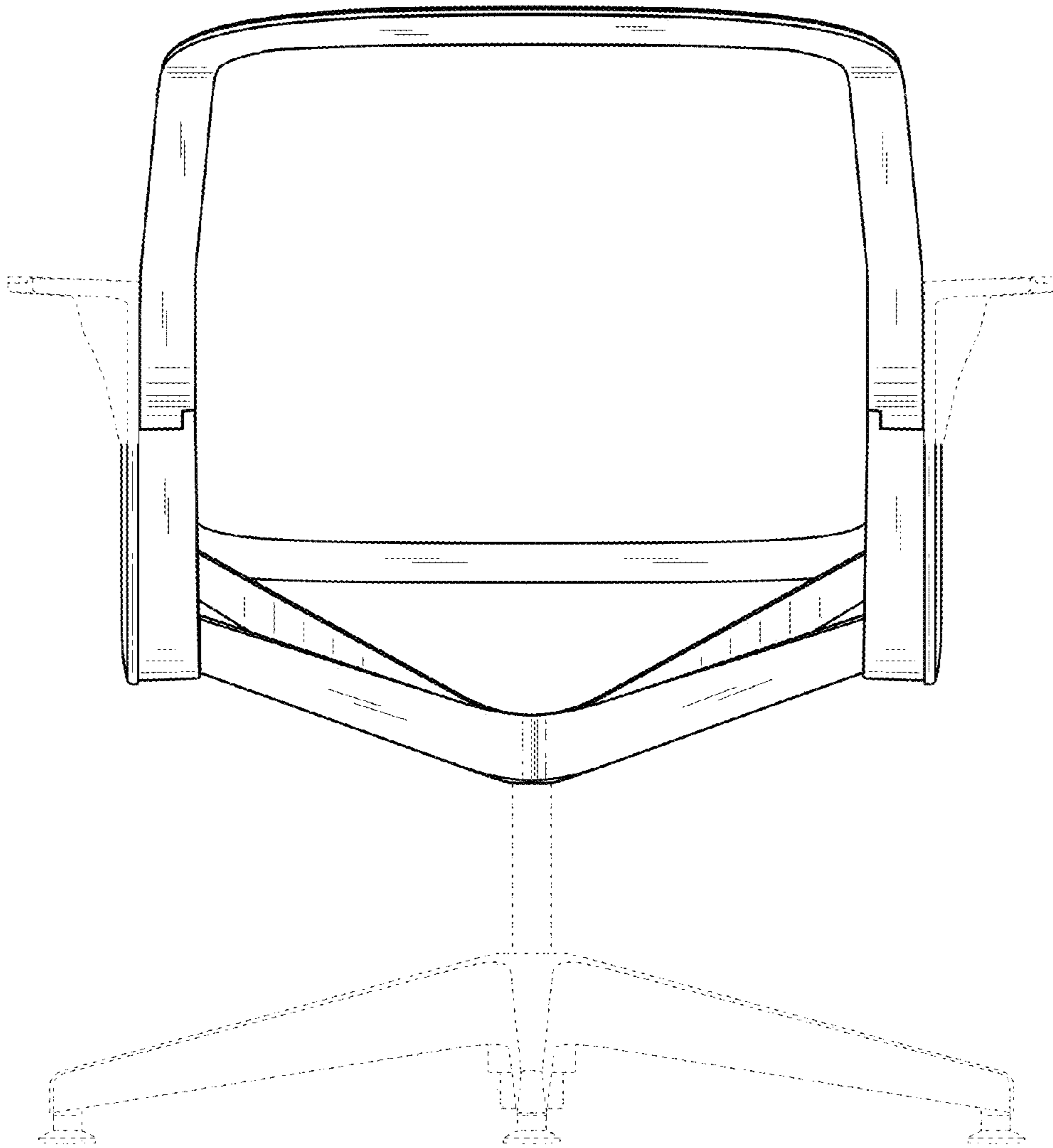


Fig. 60

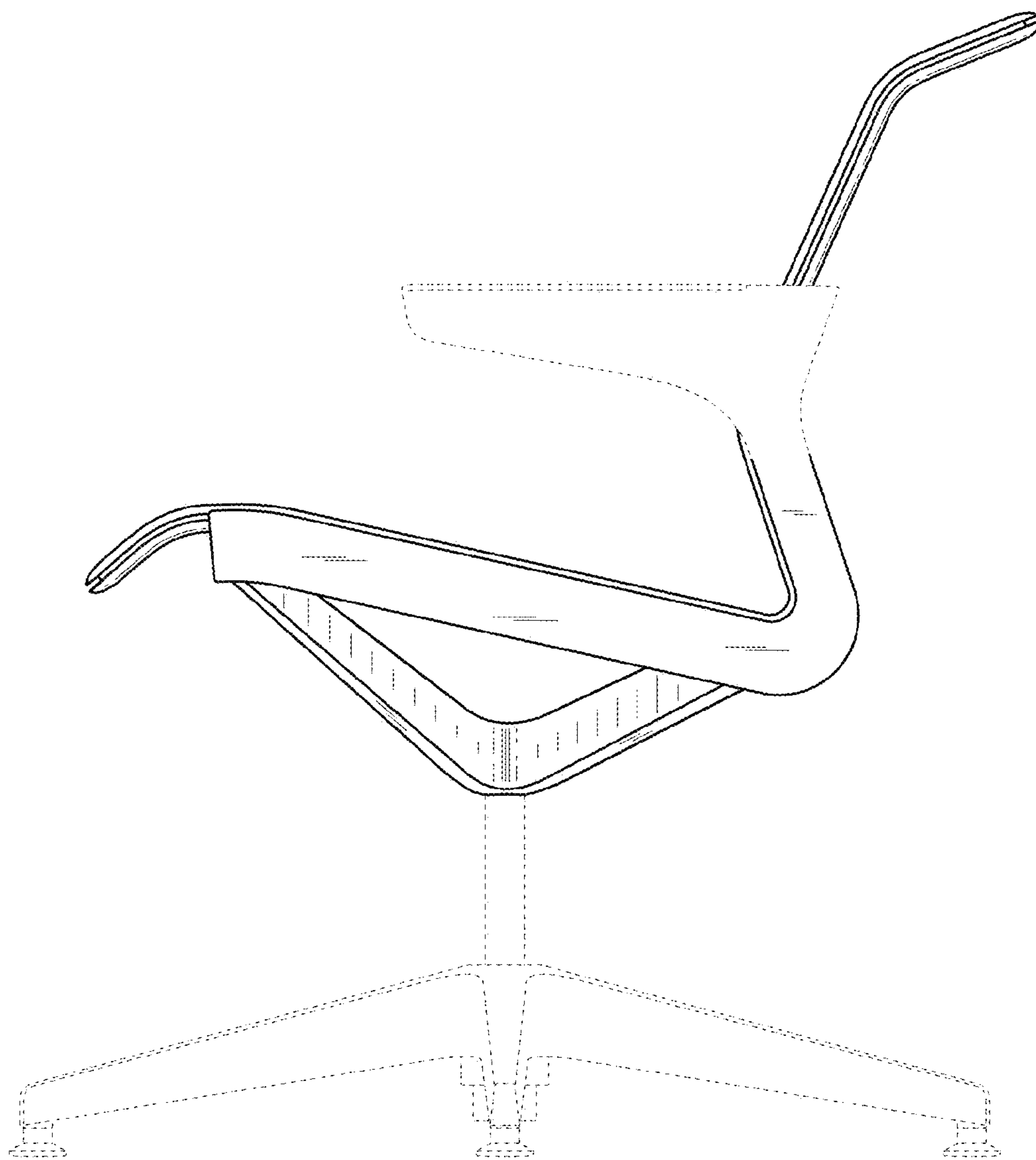


Fig. 61

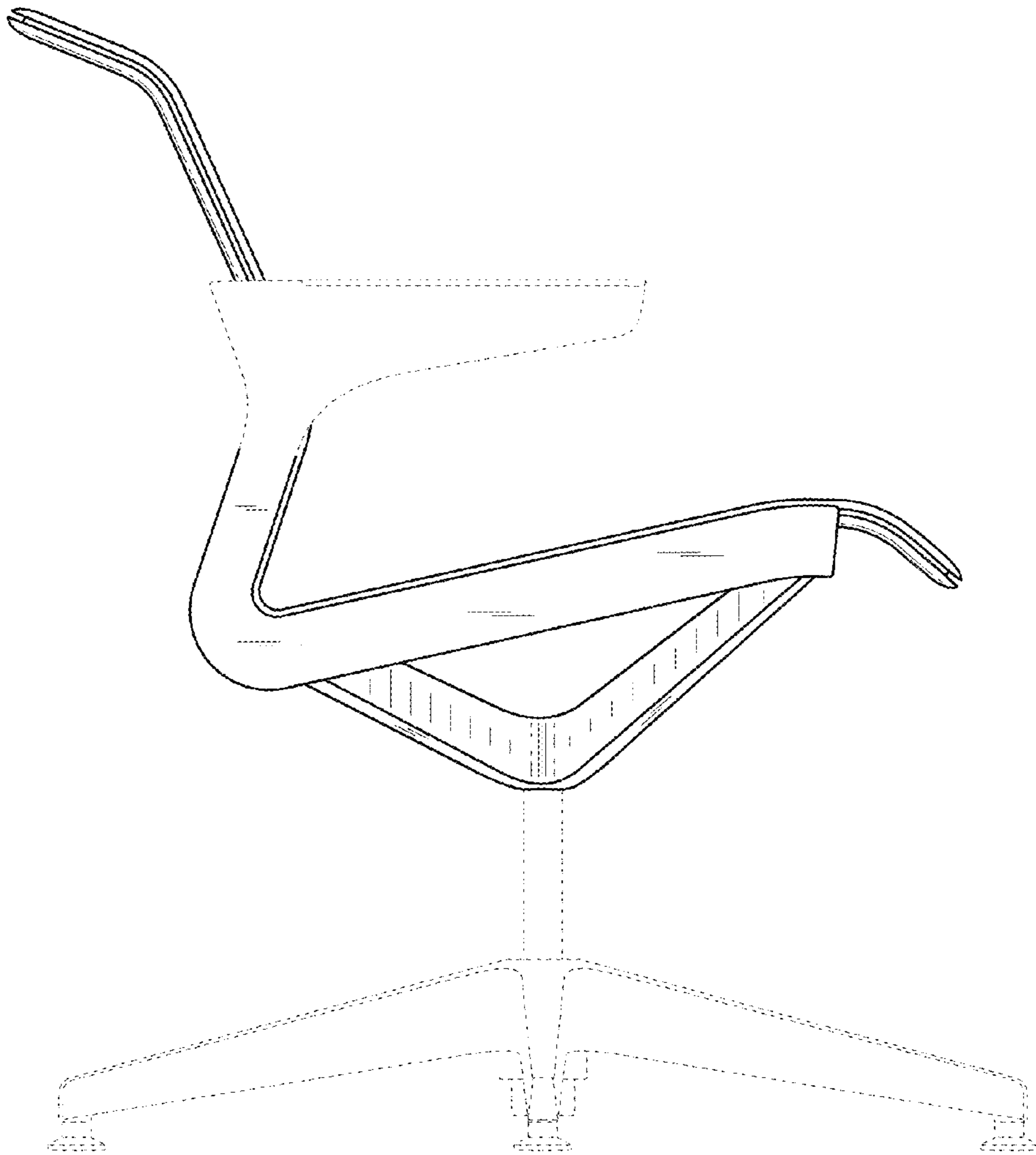


Fig. 62

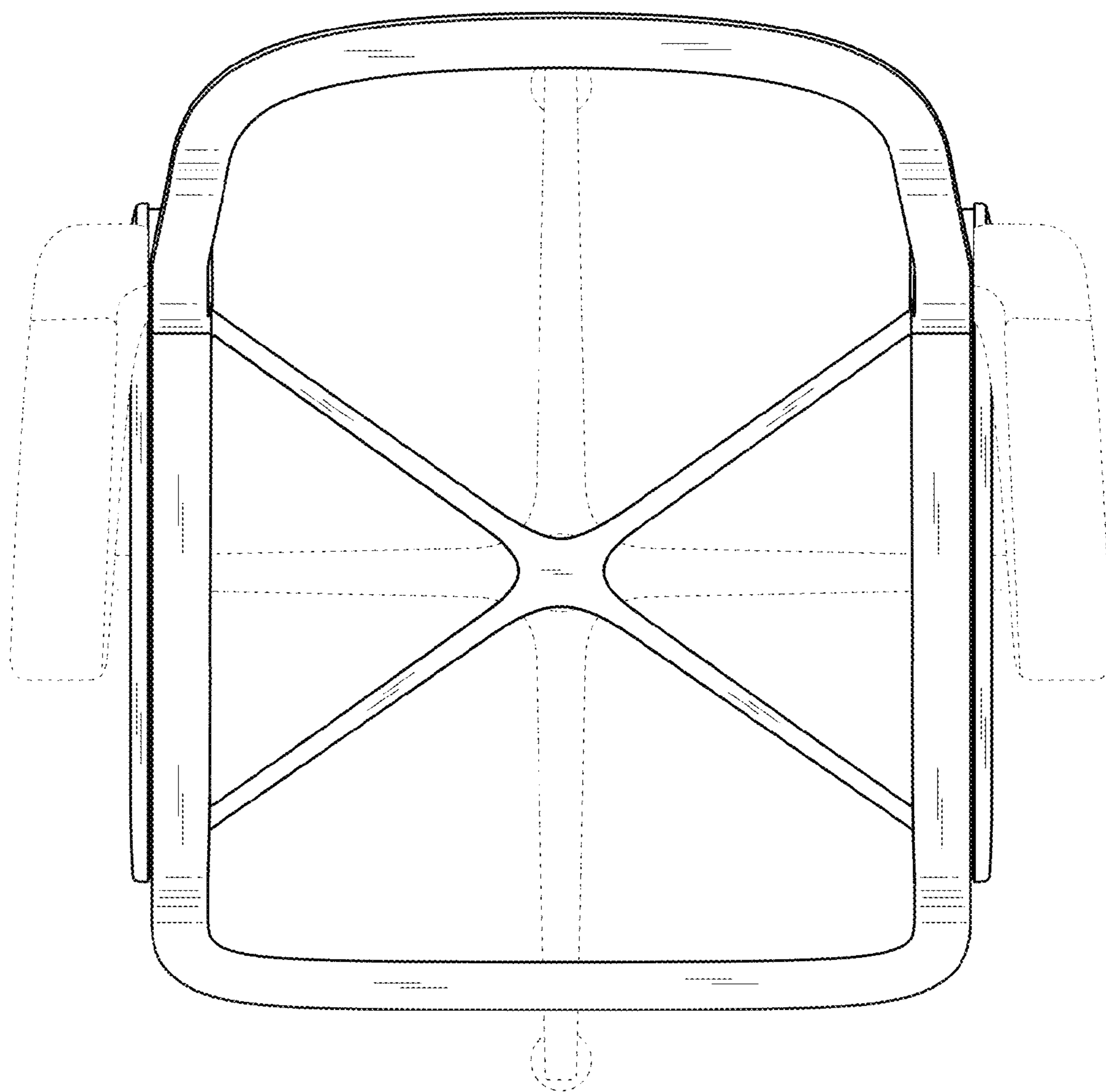


Fig. 63

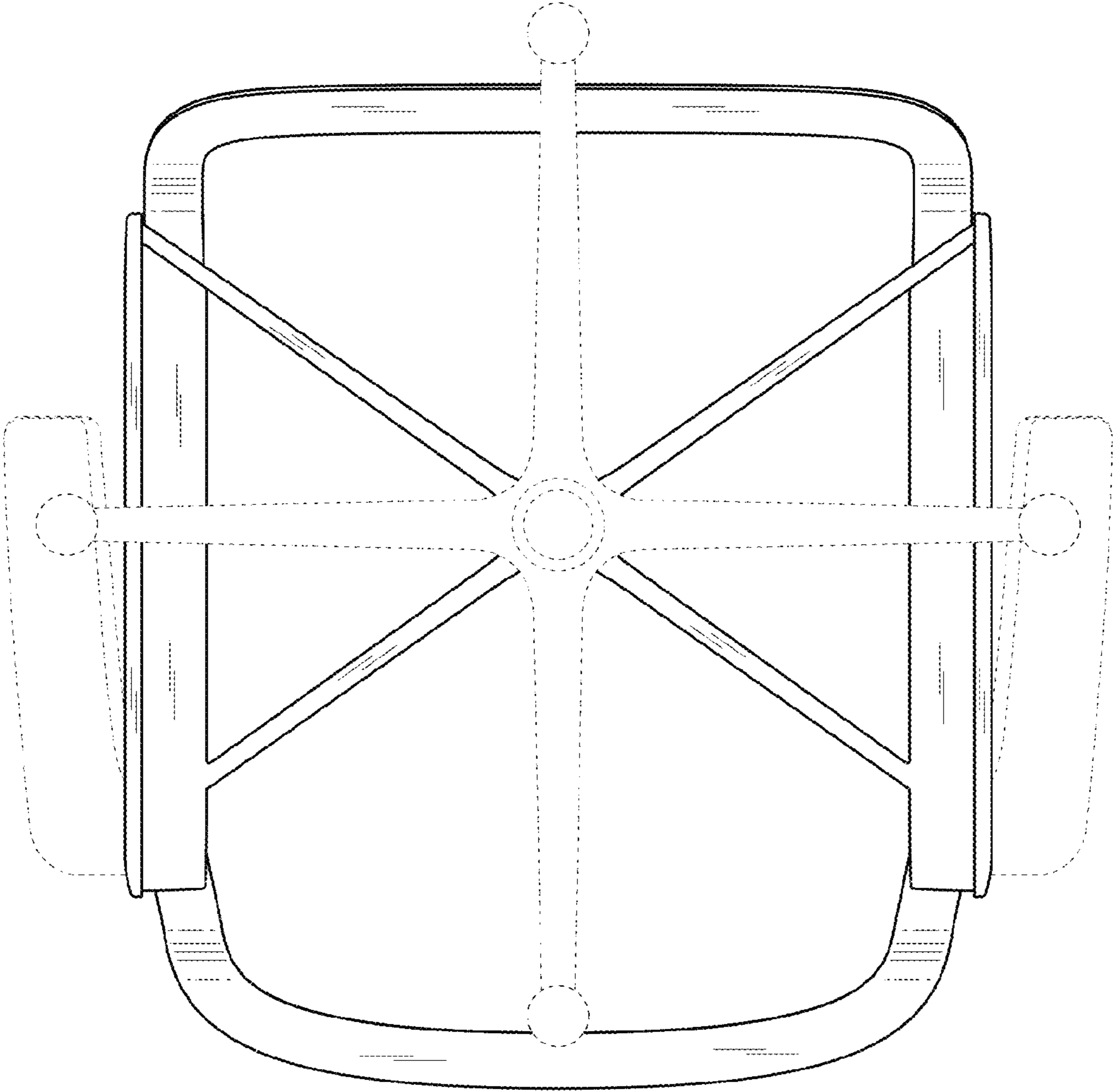


Fig. 64