

US00D707994S

(12) **United States Design Patent**
Le

(10) **Patent No.:** **US D707,994 S**
(45) **Date of Patent:** **** Jul. 1, 2014**

(54) **SHELF DIVIDER**

(71) Applicant: **Johannes Le**, Huntington Beach, CA
(US)

(72) Inventor: **Johannes Le**, Huntington Beach, CA
(US)

(73) Assignee: **Cambro Manufacturing Co.**,
Huntington, Beach, CA (US)

(**) Term: **14 Years**

(21) Appl. No.: **29/482,549**

(22) Filed: **Feb. 19, 2014**

(51) **LOC (10) Cl.** **06-06**

(52) **U.S. Cl.**
USPC **D6/706**

(58) **Field of Classification Search**
USPC D6/332, 491, 492, 509, 510, 511, 706;
D8/380, 381; 108/27, 50.02, 60;
211/153, 184
See application file for complete search history.

(56) **References Cited**

U.S. PATENT DOCUMENTS

D163,536 S * 6/1951 Morris D19/34.1
3,905,484 A * 9/1975 Dean et al. 211/184
D256,301 S * 8/1980 Cutts D6/509

D285,152 S * 8/1986 Smith D6/449
4,858,774 A * 8/1989 Winter et al. 211/184
4,889,397 A * 12/1989 Ryan 312/332.1
D343,082 S * 1/1994 Sayad D6/509
D407,011 S * 3/1999 Boije D8/381
5,971,173 A * 10/1999 Valiulis et al. 211/184
6,164,215 A * 12/2000 Cook et al. 108/60
D458,781 S * 6/2002 Cook et al. D6/511
D507,915 S * 8/2005 Nagel D6/511
D550,070 S * 9/2007 Lucht D8/381
D584,910 S * 1/2009 McConnell et al. D6/511
D664,794 S * 8/2012 Leveto D6/511
D685,215 S * 7/2013 Berger D6/706
8,556,092 B2 * 10/2013 Valiulis et al. 211/184

* cited by examiner

Primary Examiner — Kelley Donnelly

(74) *Attorney, Agent, or Firm* — George F. Bethel

(57) **CLAIM**

I claim the ornamental design for a shelf divider, as shown and described.

DESCRIPTION

FIG. 1 shows a right-hand perspective view of the shelf divider.

FIG. 2 is a front elevation view.

FIG. 3 is a right side elevation view.

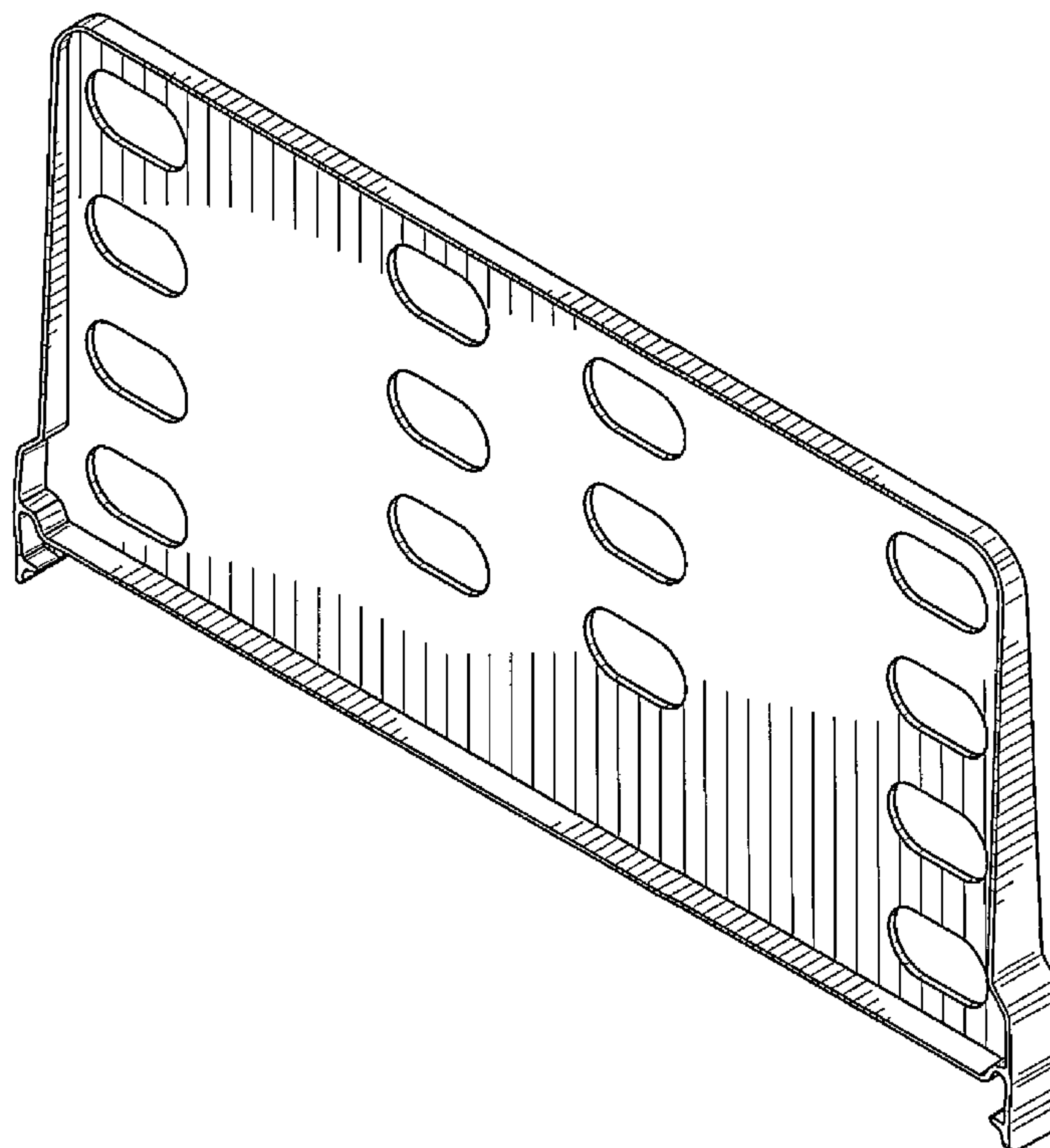
FIG. 4 is a top plan view.

FIG. 5 is a left side elevation view.

FIG. 6 is a bottom plan view; and,

FIG. 7 is a rear elevation view of the shelf divider.

1 Claim, 3 Drawing Sheets



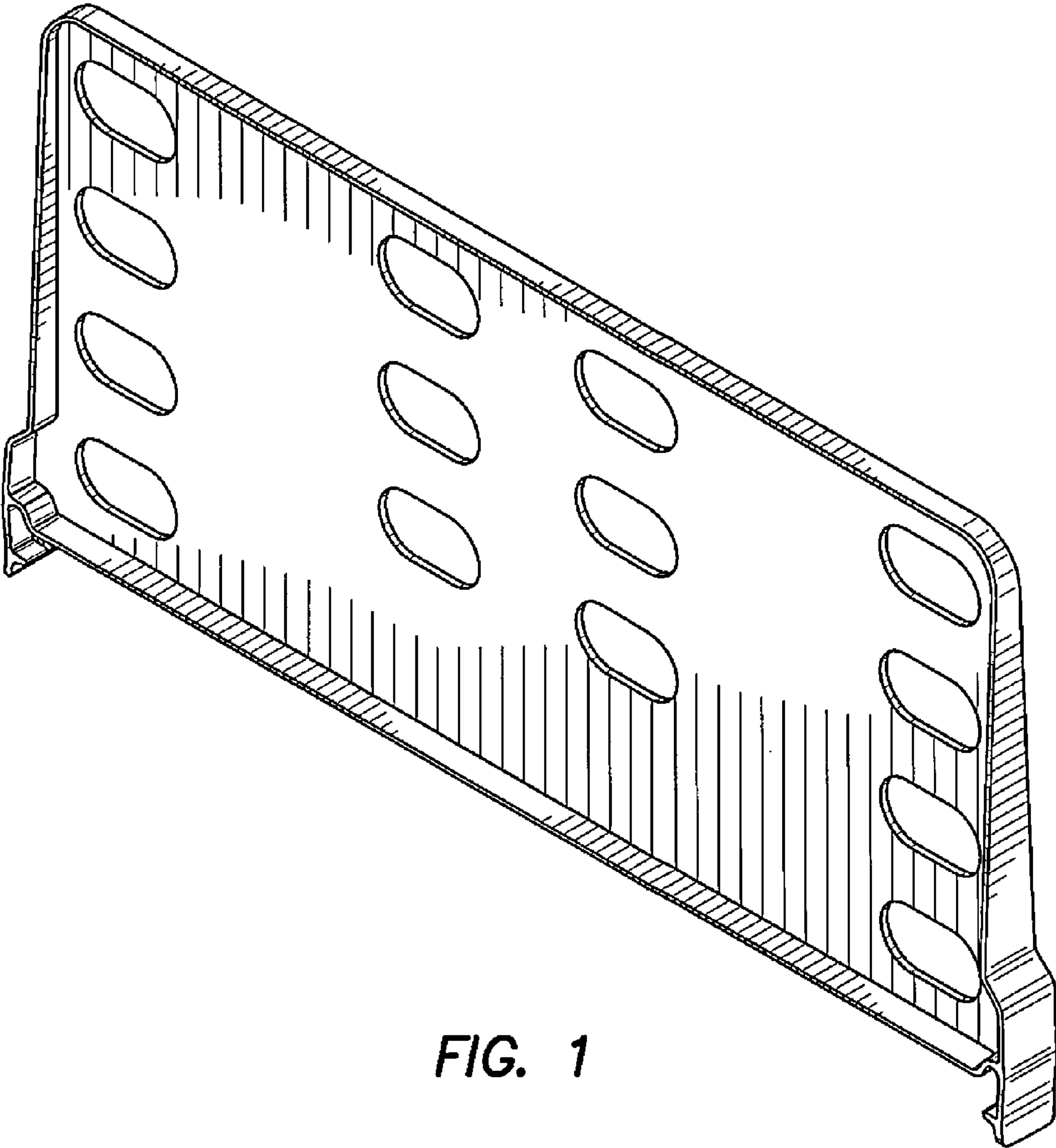


FIG. 1

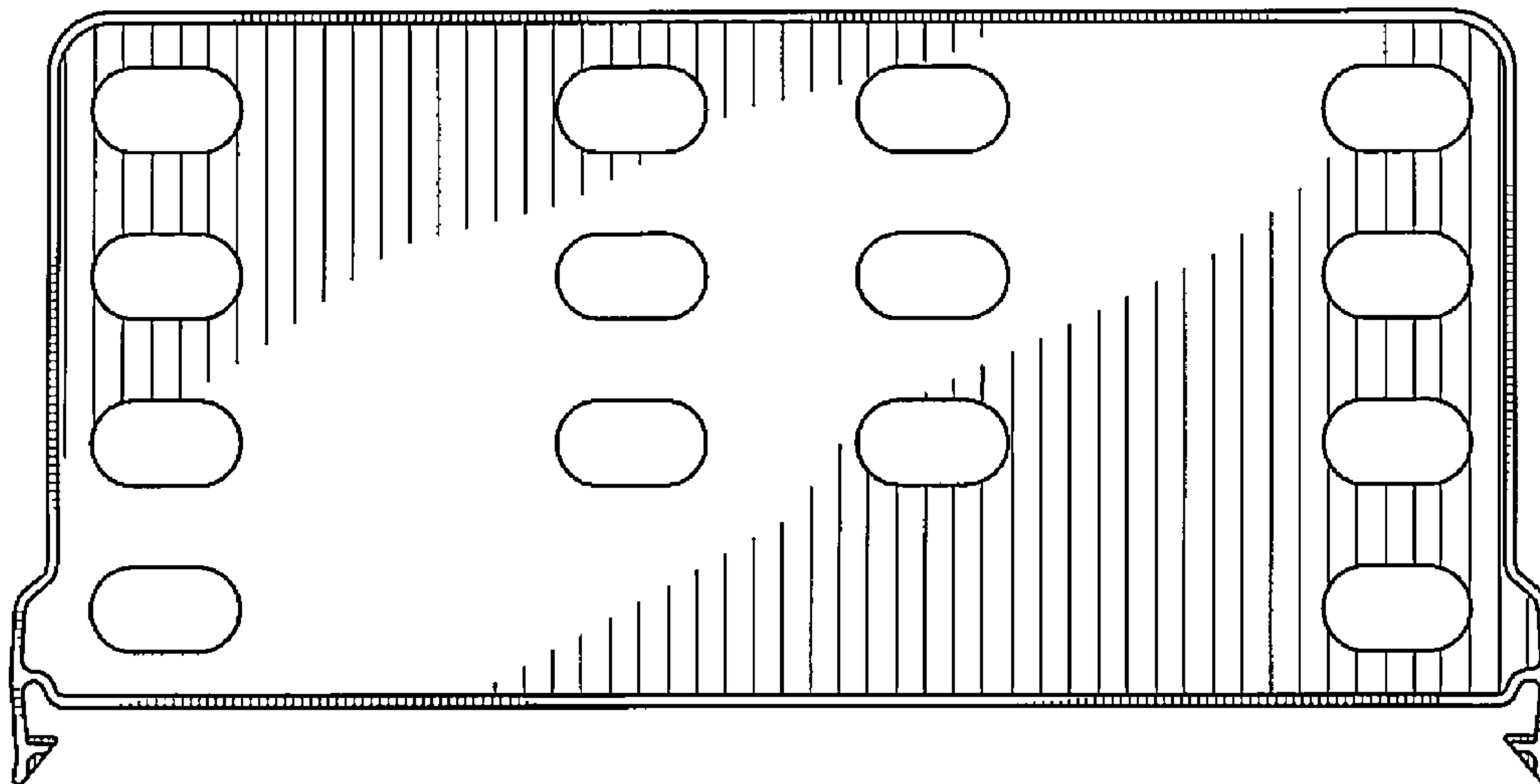


FIG. 2

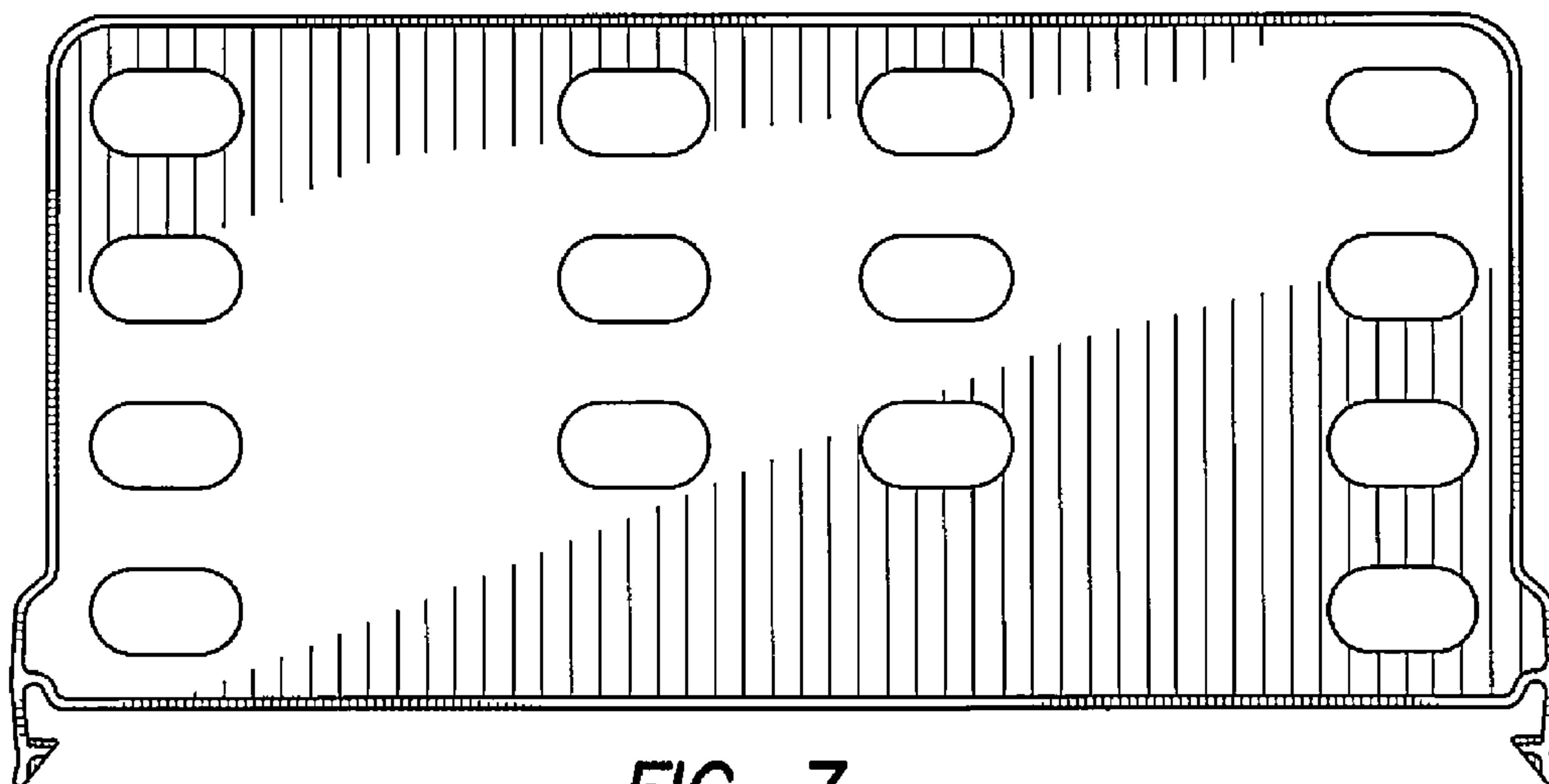


FIG. 7



FIG. 3



FIG. 5

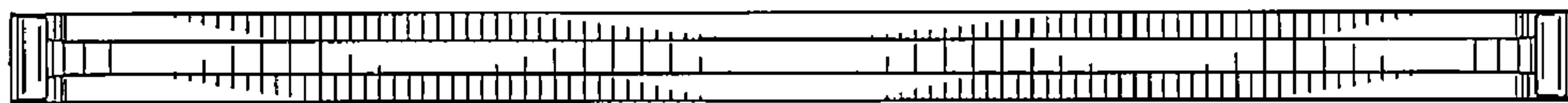


FIG. 4

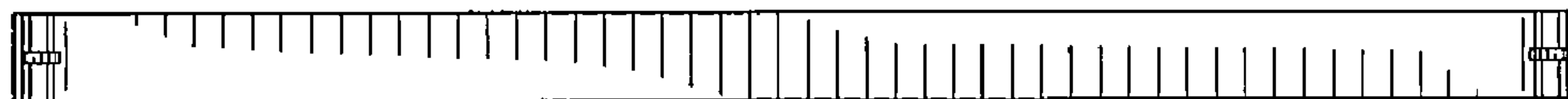


FIG. 6