



US00D707993S

(12) **United States Design Patent**  
**Grigonis, Jr.**

(10) **Patent No.:** **US D707,993 S**

(45) **Date of Patent:** **\*\* Jul. 1, 2014**

(54) **STAND FOR DISPLAYING A SKULL**

(56) **References Cited**

(71) Applicant: **George John Grigonis, Jr.**, Feasterville  
Trevose, PA (US)

U.S. PATENT DOCUMENTS

(72) Inventor: **George John Grigonis, Jr.**, Feasterville  
Trevose, PA (US)

D334,494 S *	4/1993	Stein .....	D6/466
D377,463 S *	1/1997	Cressall .....	D12/98
D400,736 S *	11/1998	Churchville et al. ....	D6/467
D460,038 S *	7/2002	Sosa .....	D12/300
D541,082 S *	4/2007	Nomoto .....	D6/474
D548,227 S *	8/2007	Wang et al. ....	D14/239
D607,235 S *	1/2010	Chue .....	D6/466
D633,730 S *	3/2011	Kimmet .....	D6/466
D666,025 S *	8/2012	Cobbett et al. ....	D6/466
D698,306 S *	1/2014	Grovender et al. ....	D12/317

(\*\*) Term: **14 Years**

\* cited by examiner

(21) Appl. No.: **29/463,509**

(22) Filed: **Dec. 16, 2013**

*Primary Examiner* — Kelley Donnelly

(51) **LOC (10) Cl.** ..... **06-06**

(74) *Attorney, Agent, or Firm* — Richard Starynski, Esq.

(52) **U.S. Cl.**  
USPC ..... **D6/675.3**

(57) **CLAIM**

The ornamental design of a stand for displaying a skull, as shown and described.

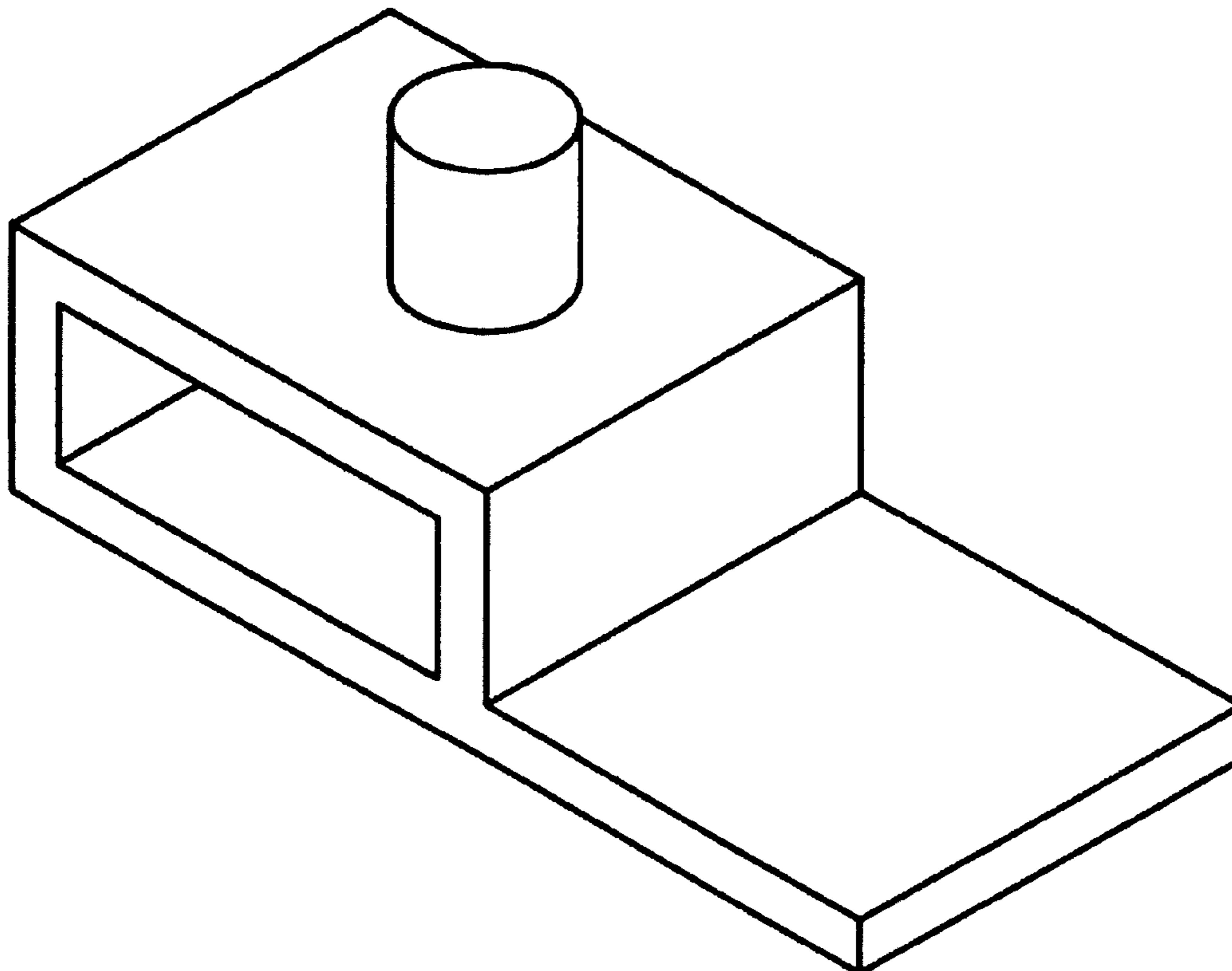
(58) **Field of Classification Search**  
USPC ..... D6/407, 629–630, 460–461, 468, 474,  
D6/477–479, 675, 675.1–675.3; 108/59,  
108/91–92, 96, 161; 211/40, 41.12, 42,  
211/49.1, 50, 71.01, 87.01, 90.04, 119.003,  
211/134, 153, 190; 312/9.1, 9.2, 9.64, 9.8,  
312/7.2; 206/307, 308.1

**DESCRIPTION**

FIG. 1 is a perspective view of a stand for displaying a skull, showing our new design;  
FIG. 2 is a top plan view thereof;  
FIG. 3 is a side elevation view thereof, with the opposite side elevation view being a mirror image thereof;  
FIG. 4 is a front section view thereof; and,  
FIG. 5 is a rear section view thereof.

See application file for complete search history.

**1 Claim, 5 Drawing Sheets**



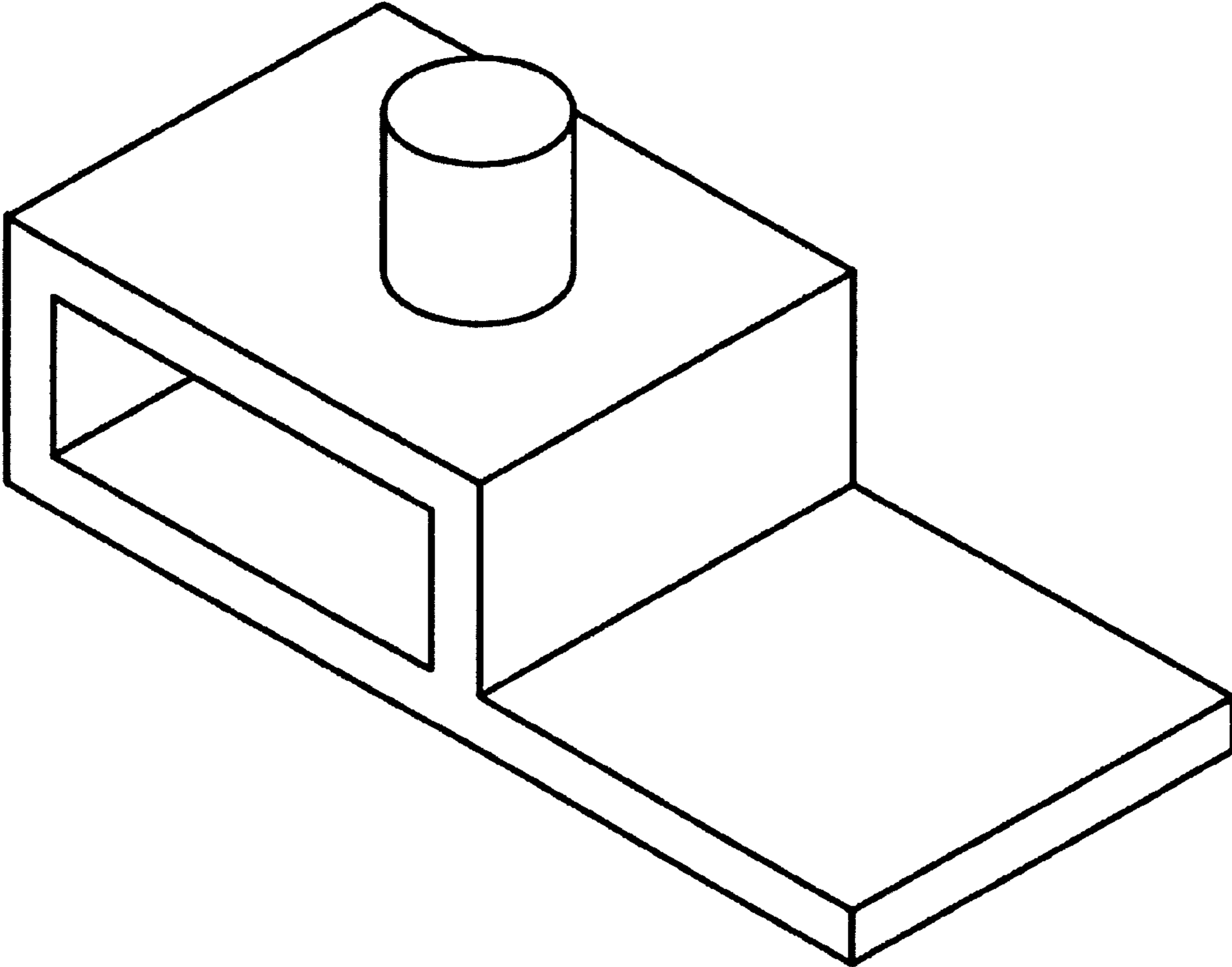


FIG. 1

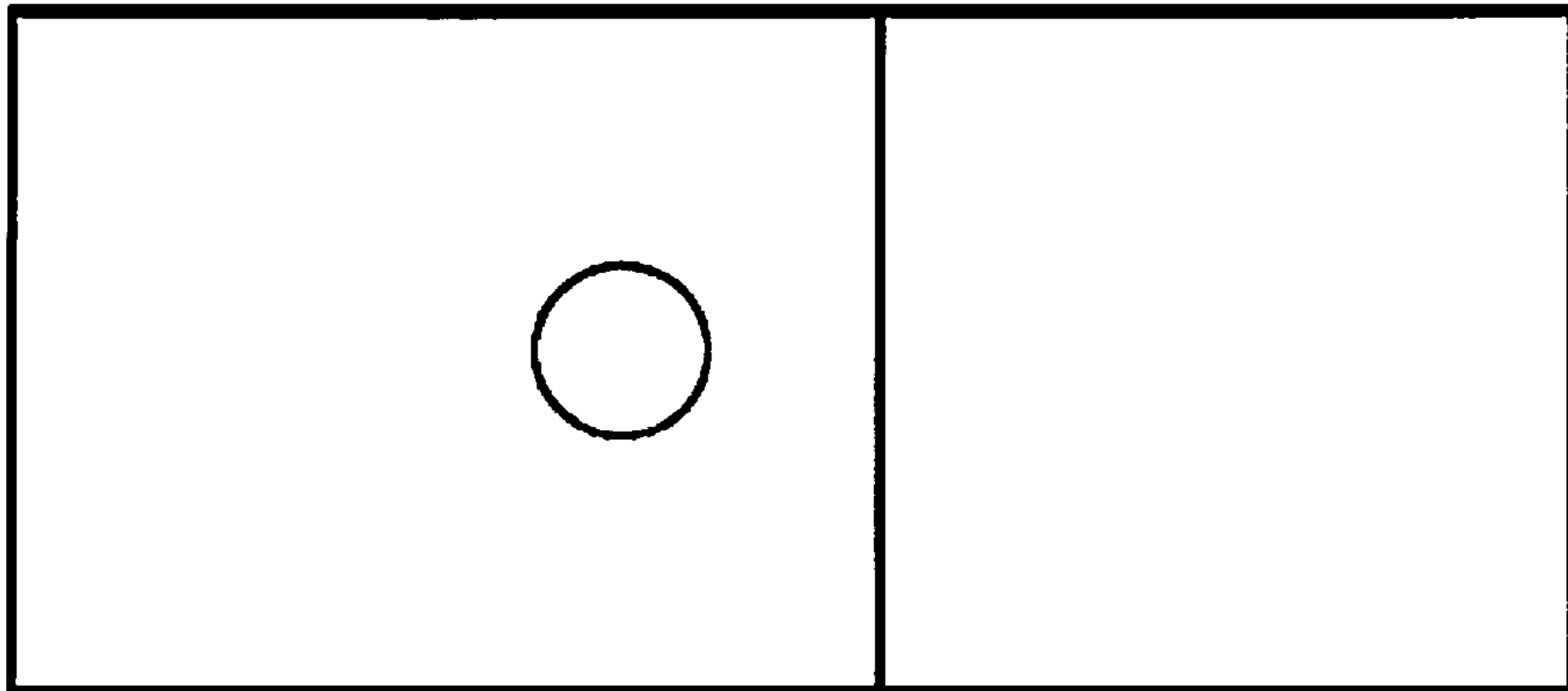


FIG. 2

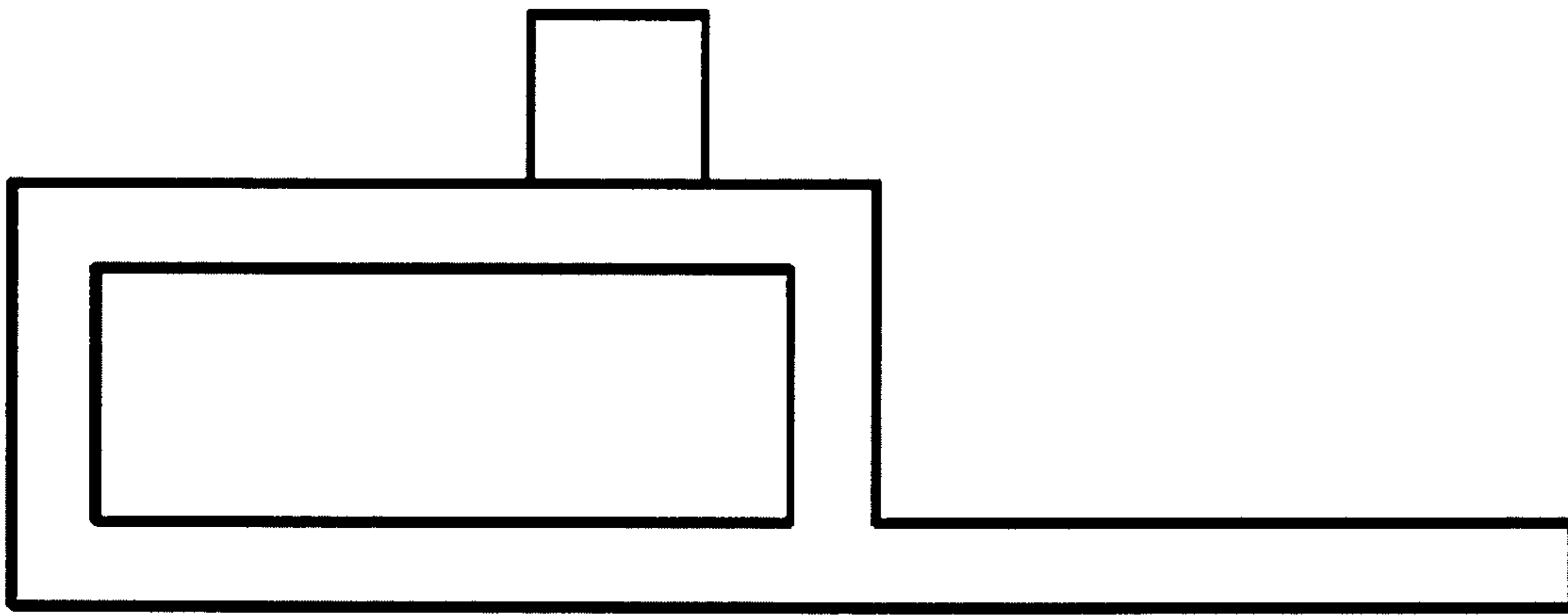


FIG. 3

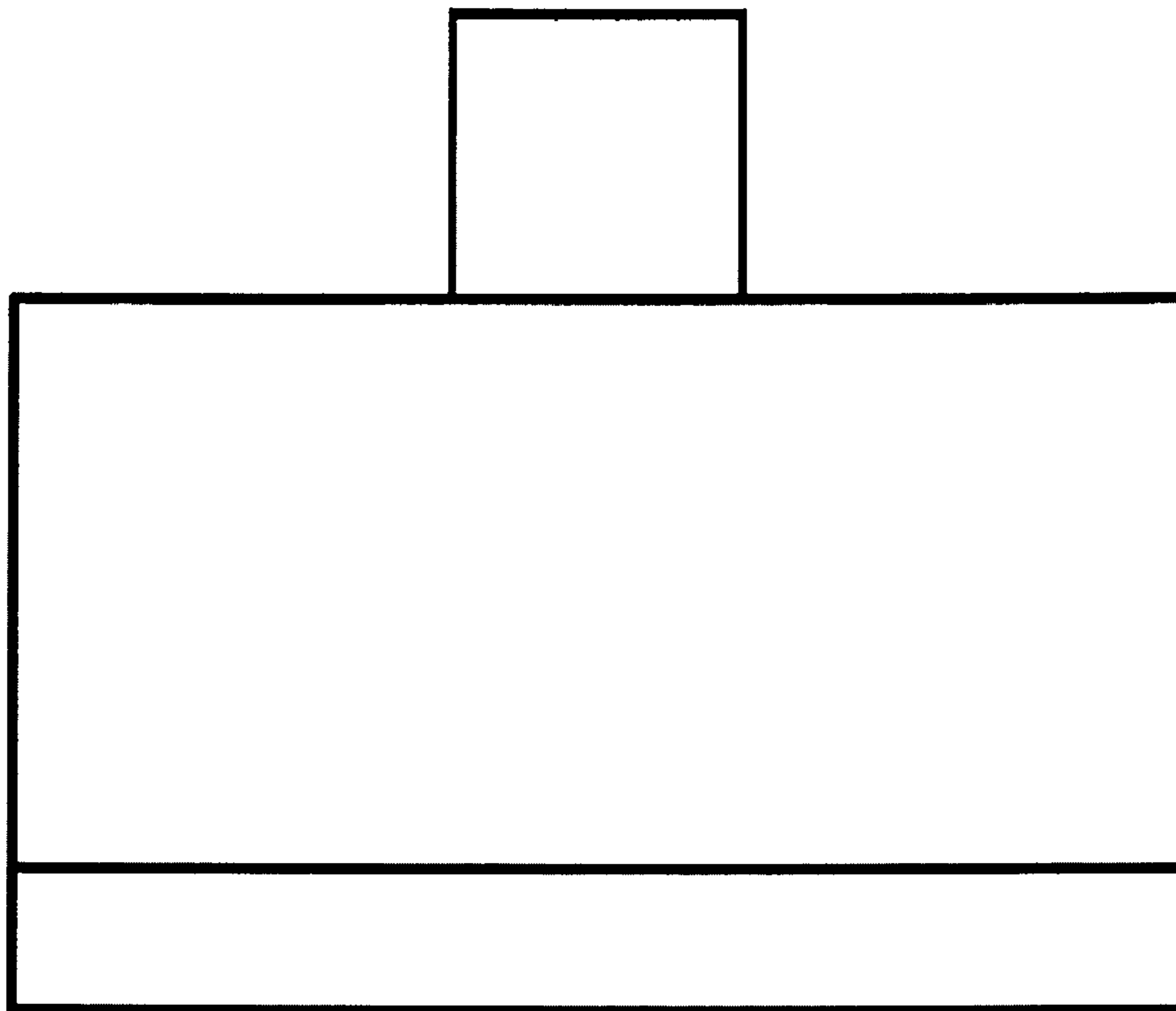


FIG. 4

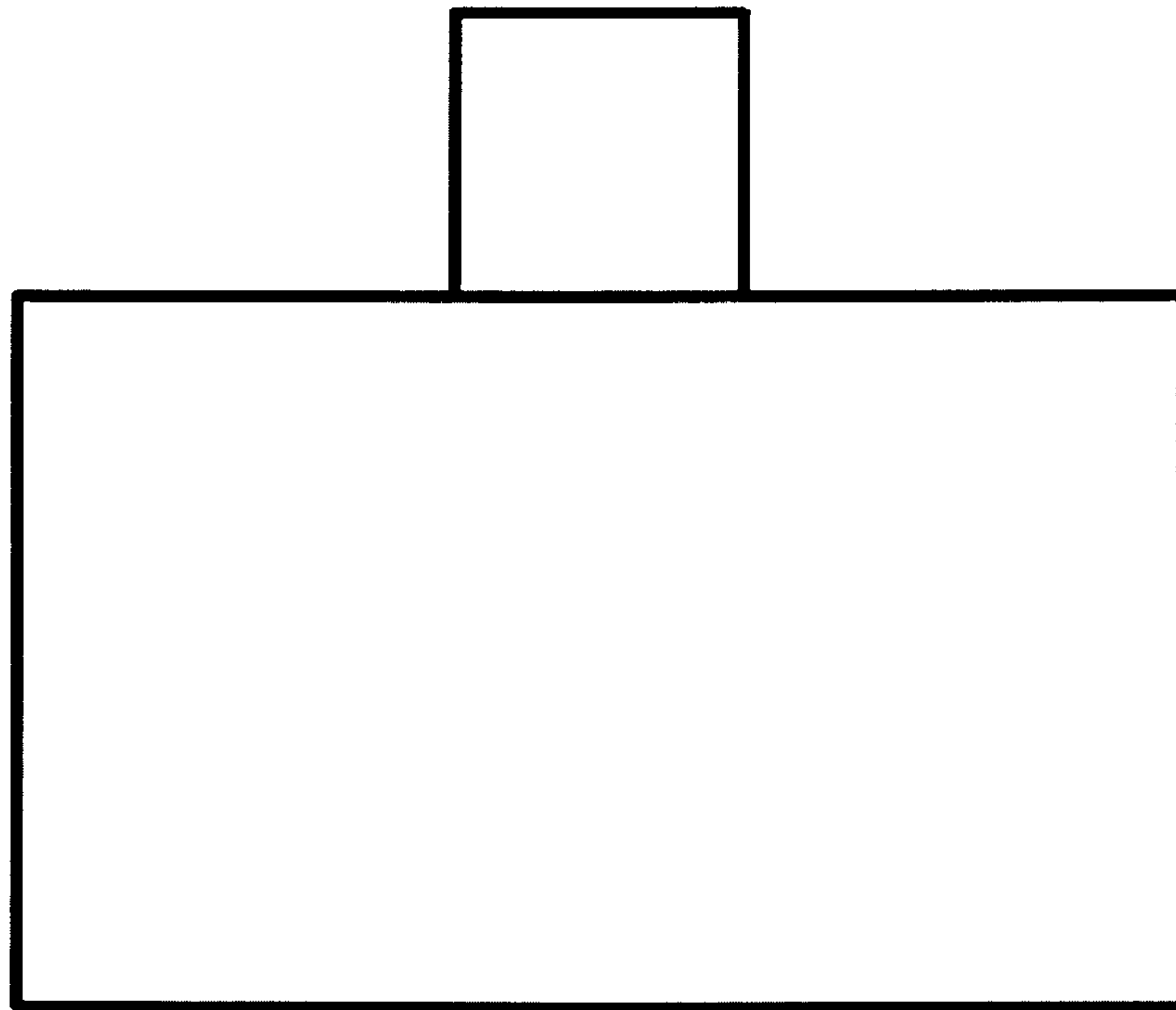


FIG. 5