

US00D707984S

(12) **United States Design Patent**
Keever

(10) **Patent No.:** **US D707,984 S**
(45) **Date of Patent:** **** Jul. 1, 2014**

(54) **MATTRESS ACCESSORY**

(75) Inventor: **Wesley R. Keever**, High Point, NC (US)

(73) Assignee: **Colonial, LLC**, High Point, NC (US)

(**) Term: **14 Years**

(21) Appl. No.: **29/426,662**

(22) Filed: **Jul. 9, 2012**

(51) **LOC (10) Cl.** **06-09**

(52) **U.S. Cl.**
USPC **D6/606**

(58) **Field of Classification Search**
USPC 5/482, 485, 495, 658, 907; D6/606,
D6/602, 603
See application file for complete search history.

(56) **References Cited**

U.S. PATENT DOCUMENTS

5,782,408	A *	7/1998	Carter	239/34
6,014,782	A *	1/2000	Stevenson	5/499
6,216,292	B1 *	4/2001	Oakhill et al.	5/482
6,845,532	B1 *	1/2005	Rosenblum	5/482
D655,965	S	3/2012	Schachte		
2010/0122413	A1 *	5/2010	McNair	5/485
2012/0299741	A1	11/2012	Wright, Jr.		

* cited by examiner

Primary Examiner — Janice Seeger

(74) *Attorney, Agent, or Firm* — Moore & Van Allen PLLC;
Nicholas C. Russell

(57) **CLAIM**

The ornamental design for a mattress accessory, as shown and described.

DESCRIPTION

FIG. 1 is a perspective view of a mattress accessory in accordance with one embodiment;

FIG. 2 is a top view of the mattress accessory of FIG. 1;

FIG. 3 is a first side view of the mattress accessory of FIG. 1; FIG. 4 is a second side view of the mattress accessory of FIG. 1;

FIG. 5 is a top, unattached view of the mattress accessory of FIG. 1;

FIG. 6 is a perspective view of a mattress accessory in accordance with a second embodiment;

FIG. 7 is a top view of the mattress accessory of FIG. 6;

FIG. 8 is a first side view of the mattress accessory of FIG. 6; FIG. 9 is a second side view of the mattress accessory of FIG. 6;

FIG. 10 is a top, unattached view of the mattress accessory of FIG. 6;

FIG. 11 is a perspective view of a mattress accessory in accordance with a third embodiment;

FIG. 12 is a top view of the mattress accessory of FIG. 11;

FIG. 13 is a first side view of the mattress accessory of FIG. 11;

FIG. 14 is a second side view of the mattress accessory of FIG. 11;

FIG. 15 is a top, unattached view of the mattress accessory of FIG. 11;

FIG. 16 is a perspective view of a mattress accessory in accordance with a fourth embodiment;

FIG. 17 is a top view of the mattress accessory of FIG. 16;

FIG. 18 is a first side view of the mattress accessory of FIG. 16;

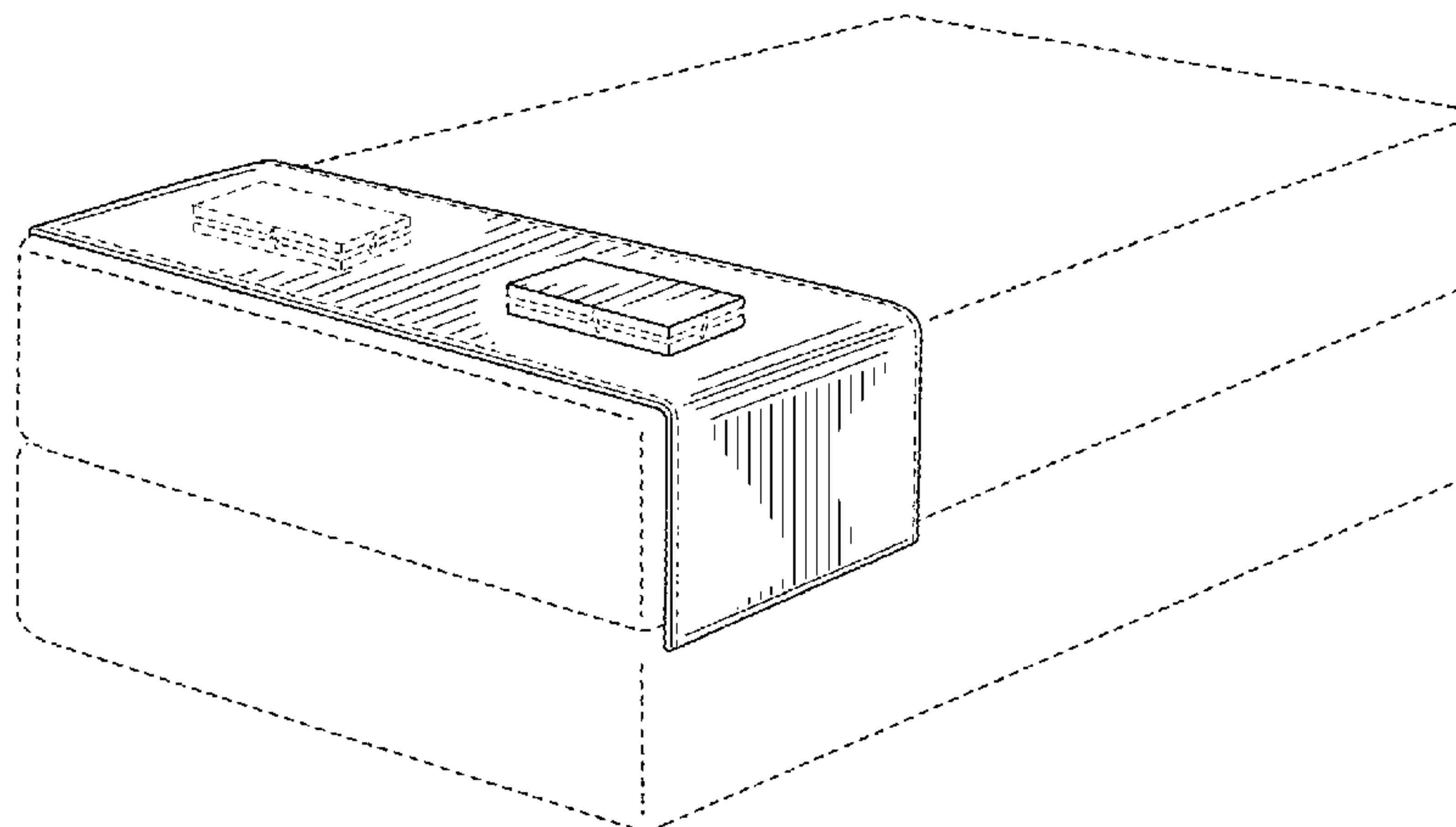
FIG. 19 is a second side view of the mattress accessory of FIG. 16; and,

FIG. 20 is a top, unattached view of the mattress accessory of FIG. 16.

The broken line drawings of the images, text, and other elements shown in the figure are shown for illustrative purposes only and form no part of the claimed design. In addition, the surface shading, if any, illustrated in the drawings is provided merely to highlight the contour of the design; it is not intended to be illustrative of texture or gloss.

The rectangular elements on the top of the mattress accessory are shown with a symbolic break in height. The appearance of any portion of the rectangles between the break lines forms no part of the claimed design.

1 Claim, 12 Drawing Sheets



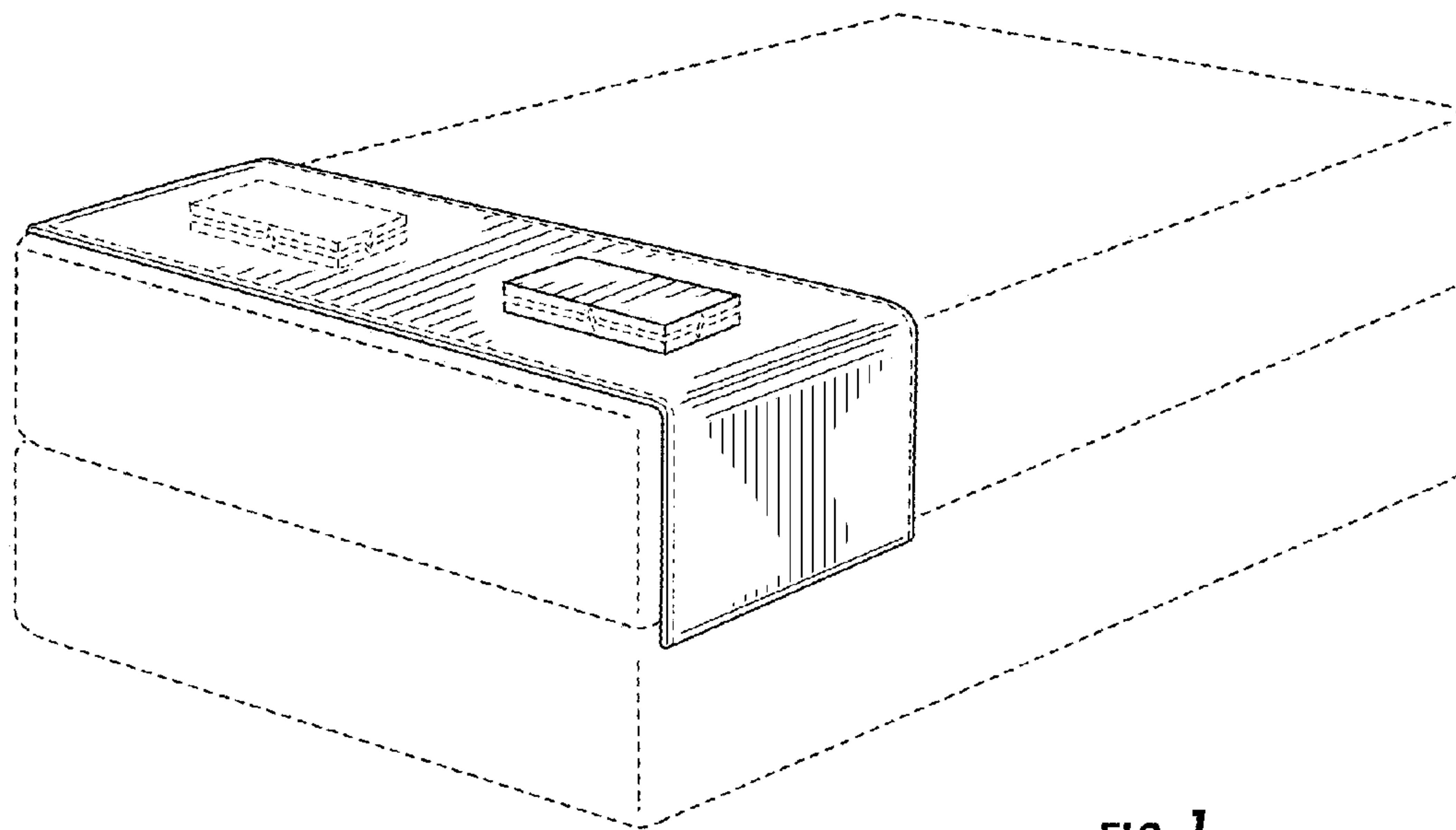


FIG. 1

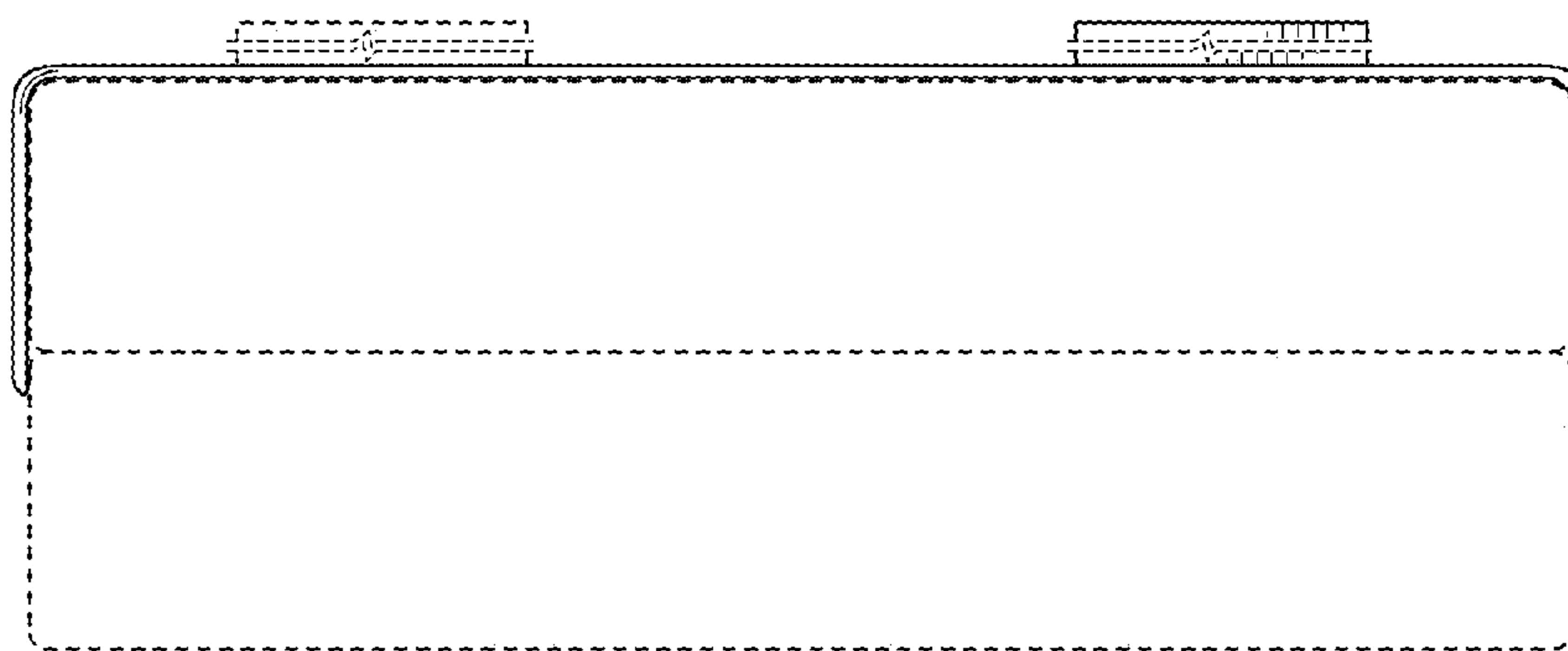


FIG. 3

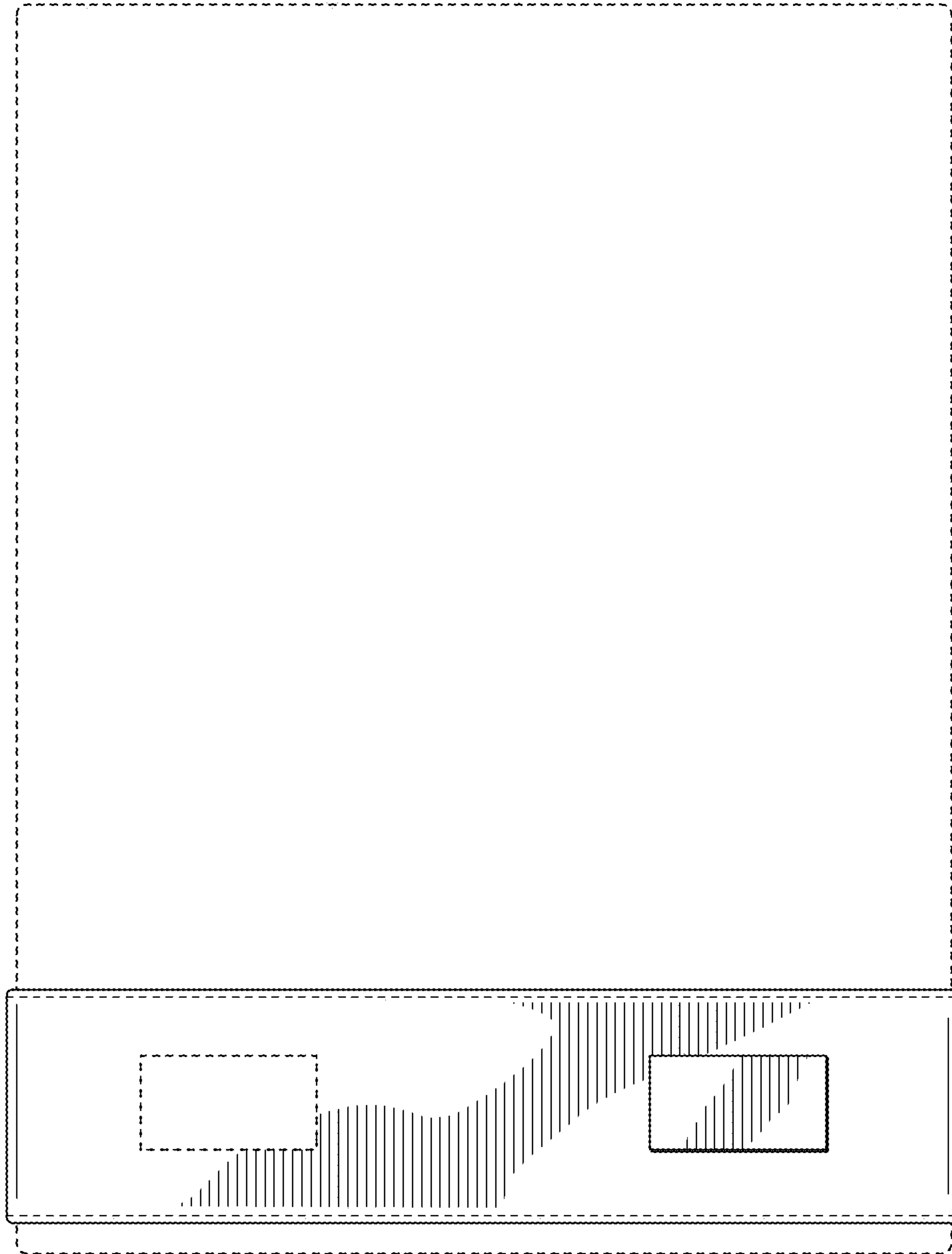


FIG. 2

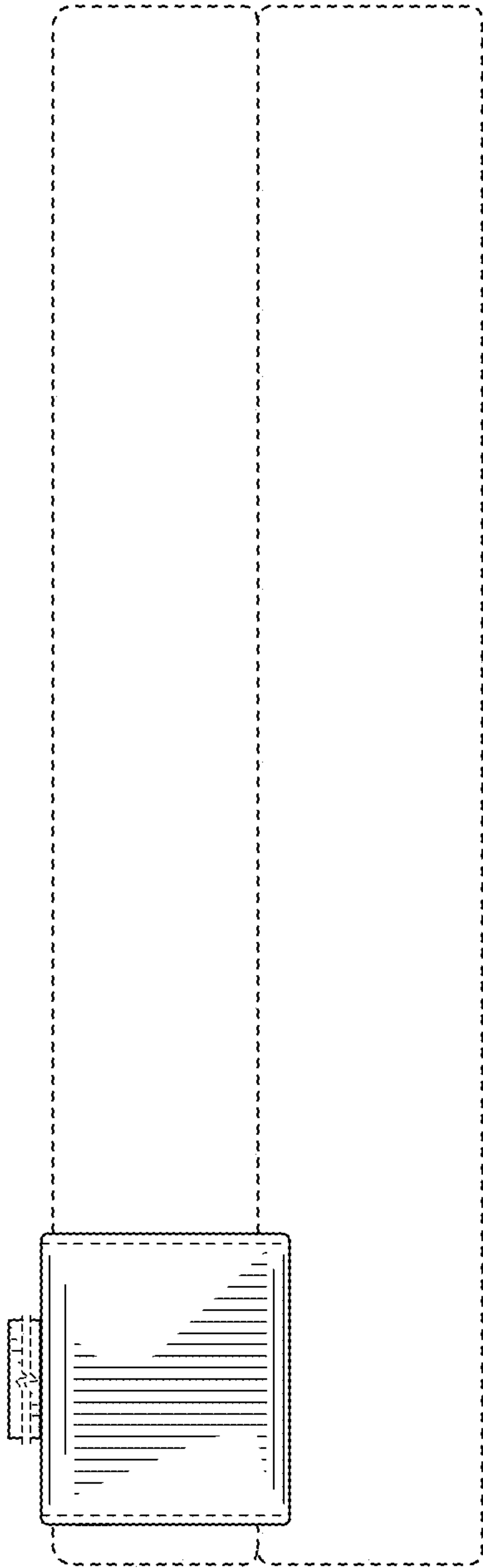


FIG. 4

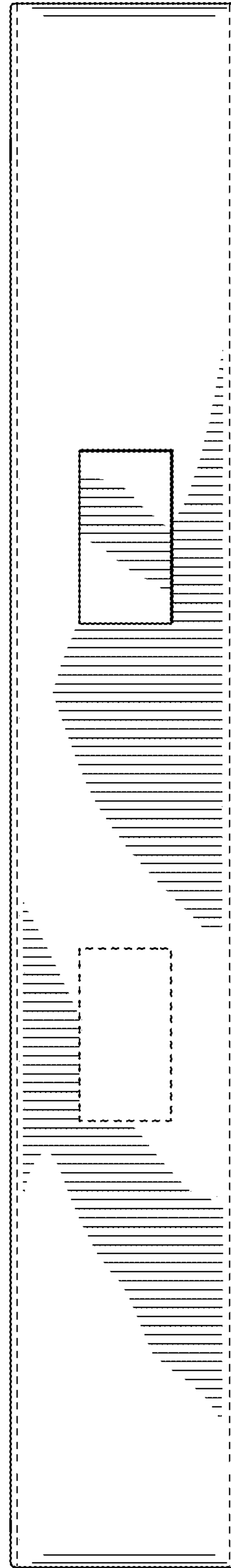


FIG. 5

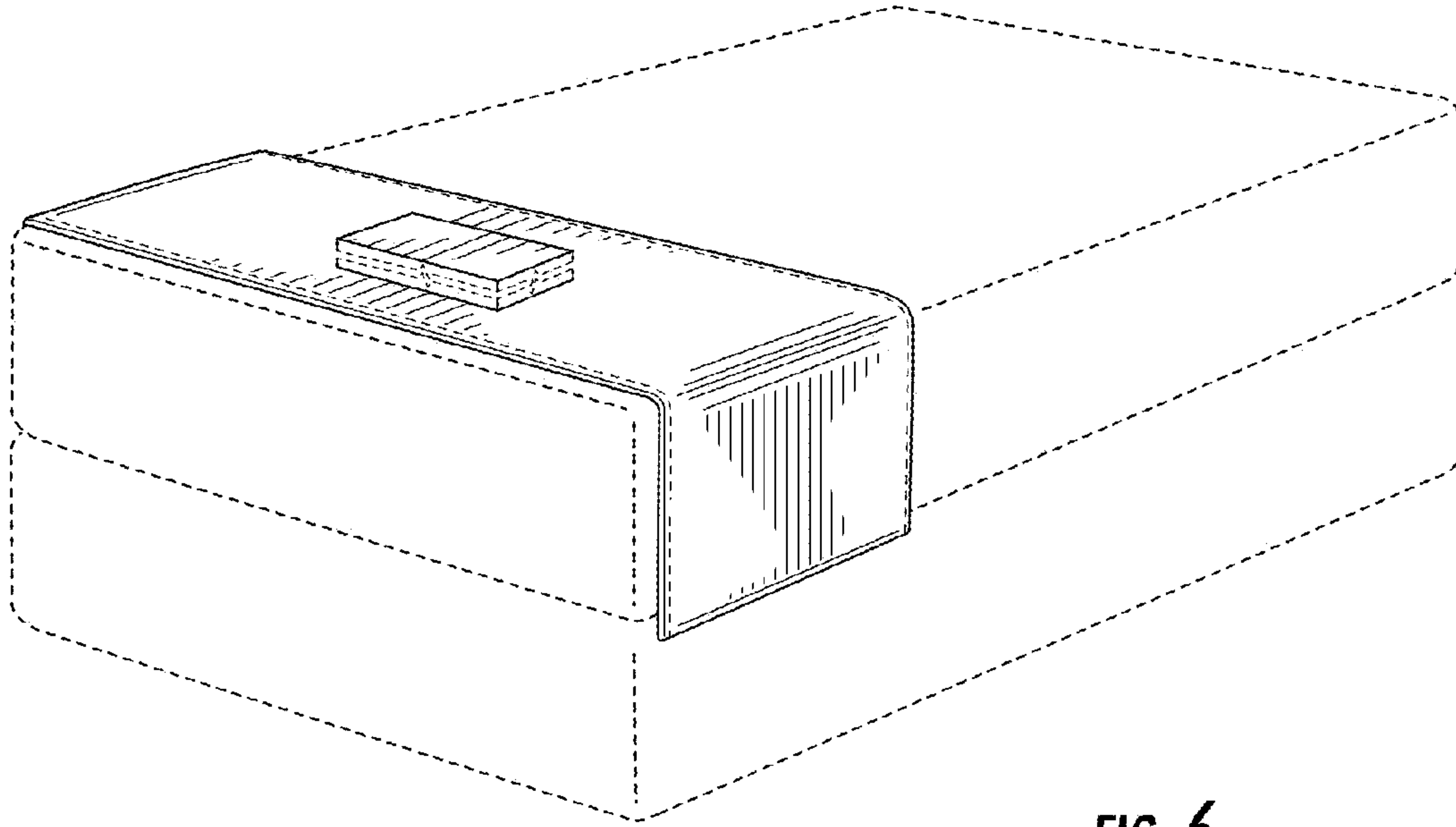


FIG. 6

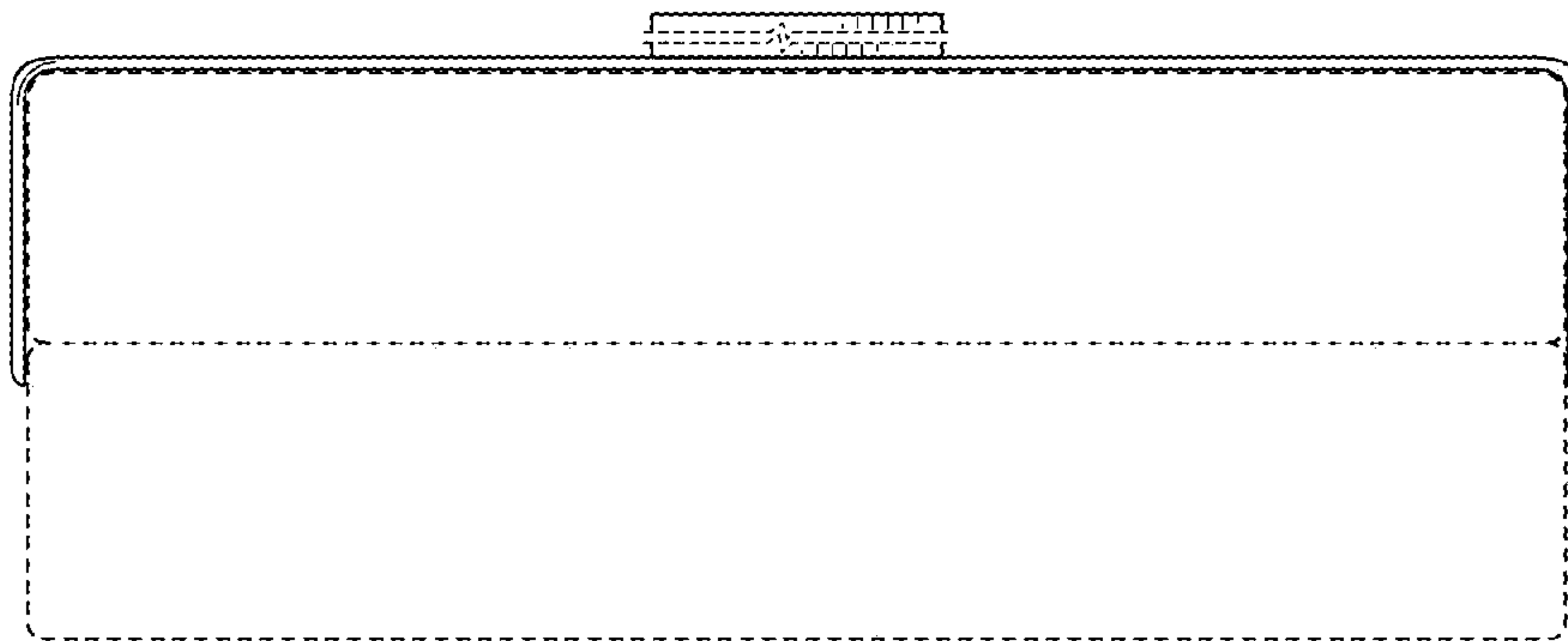


FIG. 8

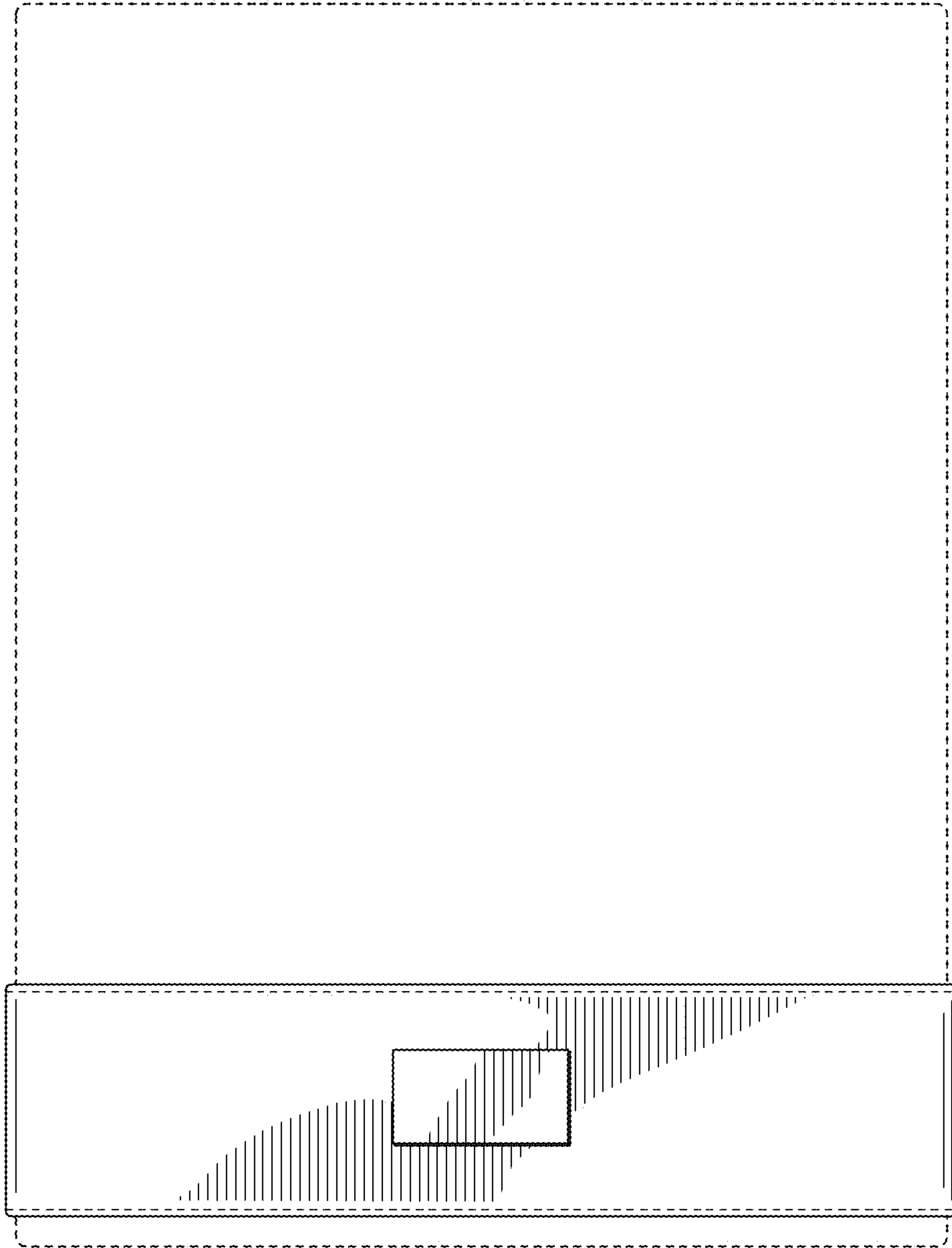


FIG. 7

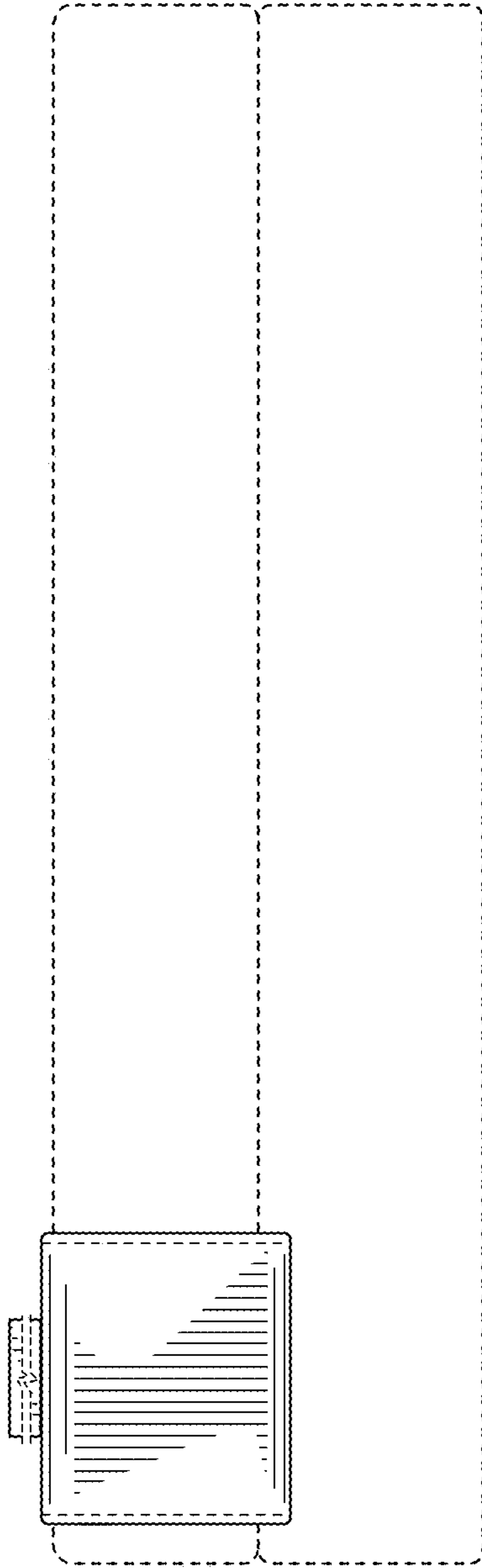


FIG. 9

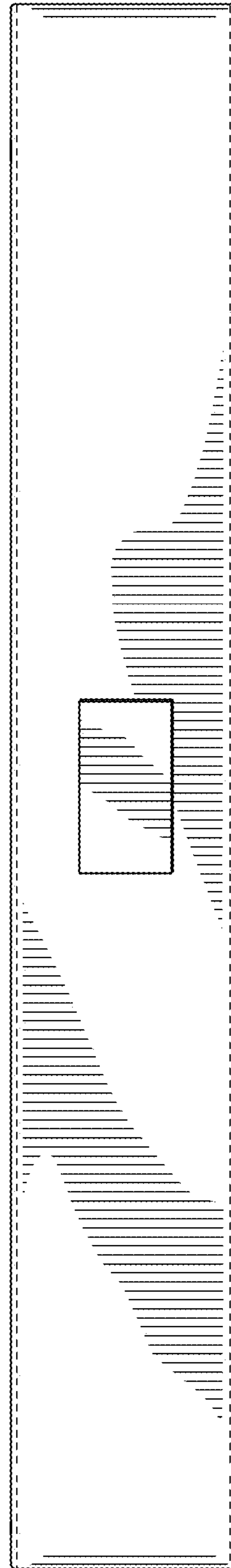


FIG. 10

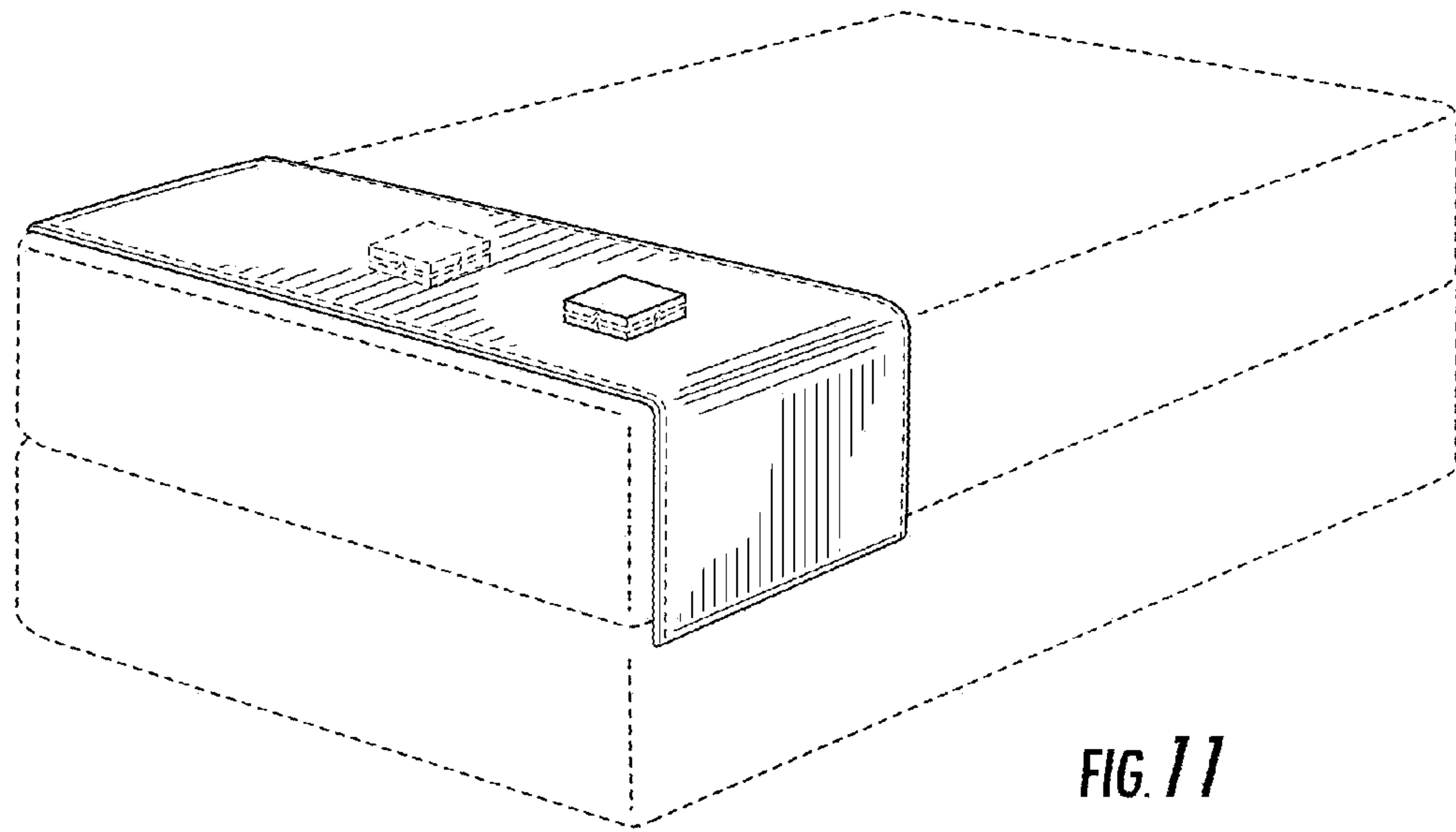


FIG. 11

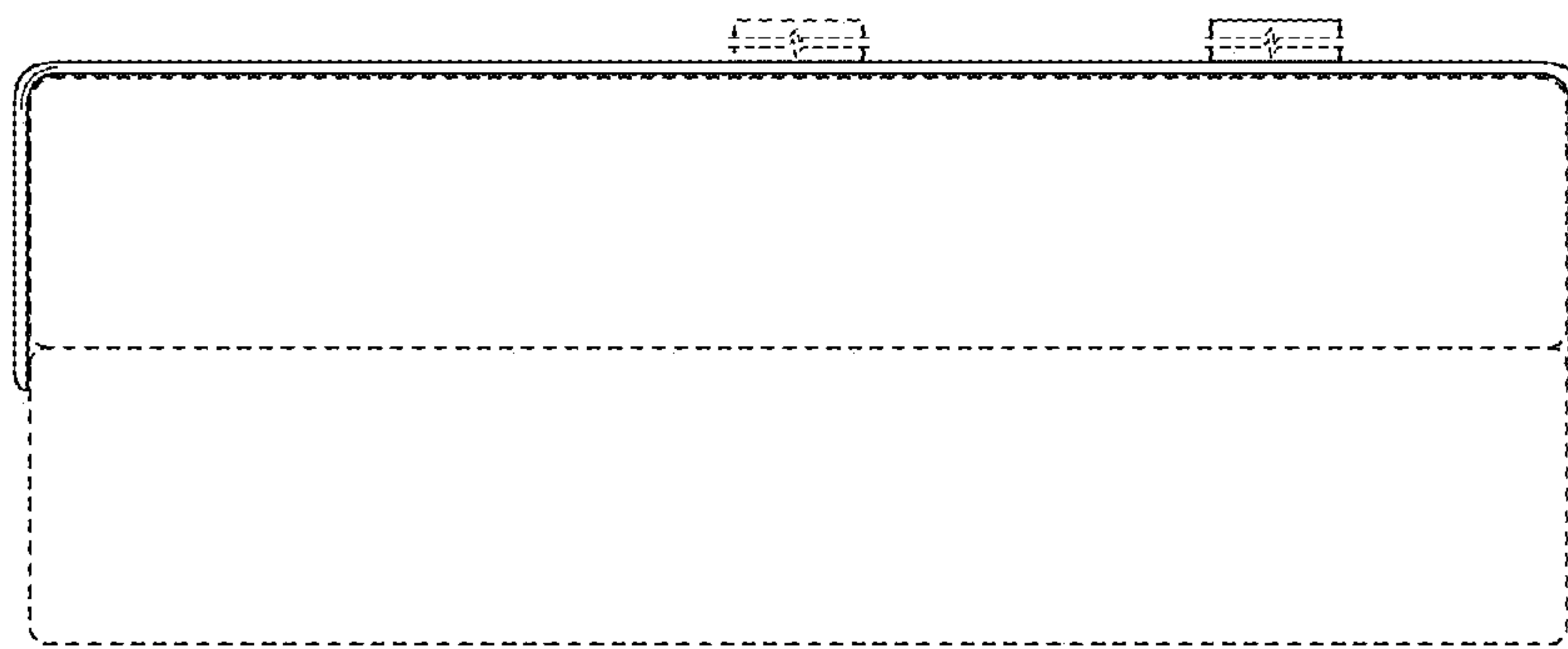


FIG. 13

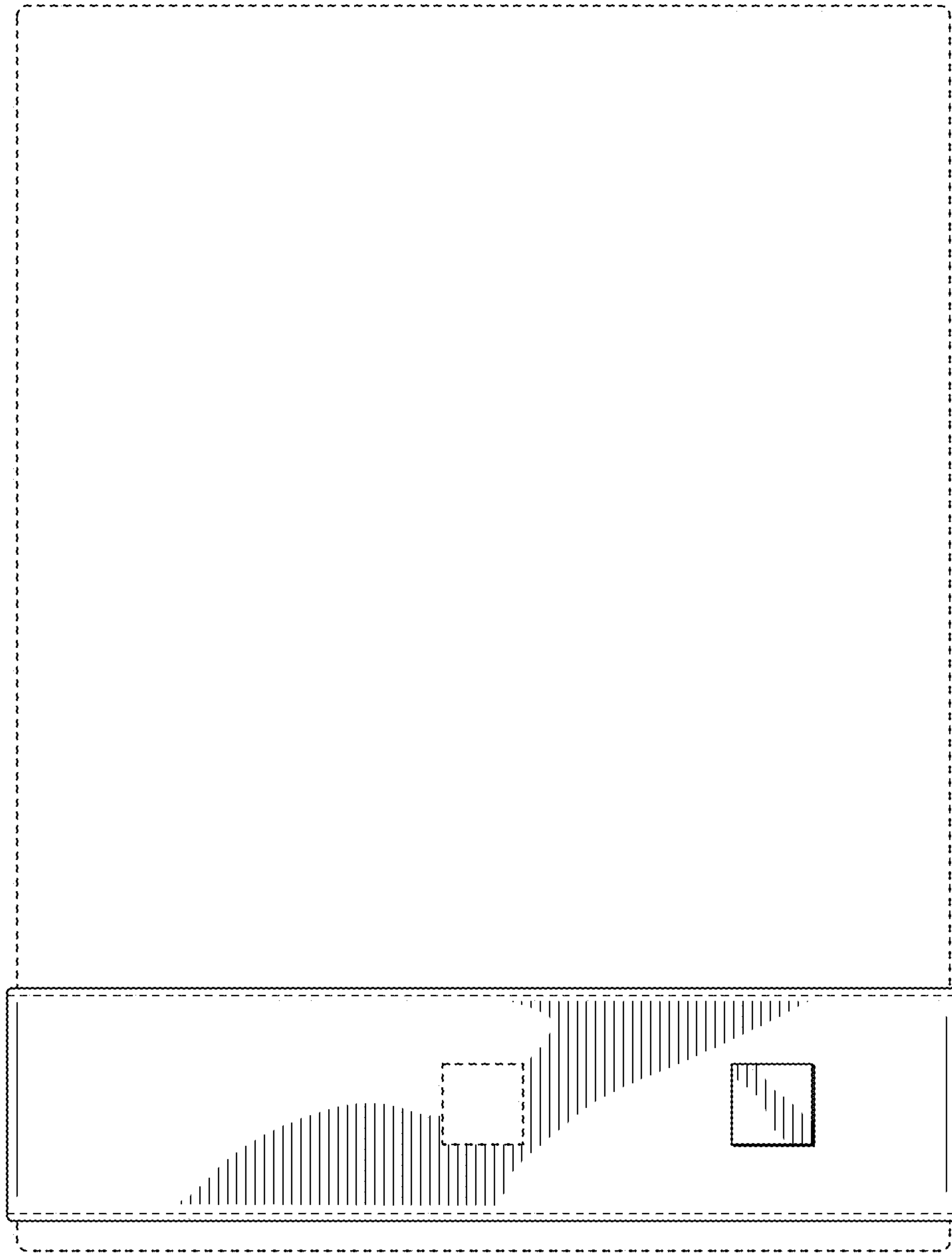


FIG. 12

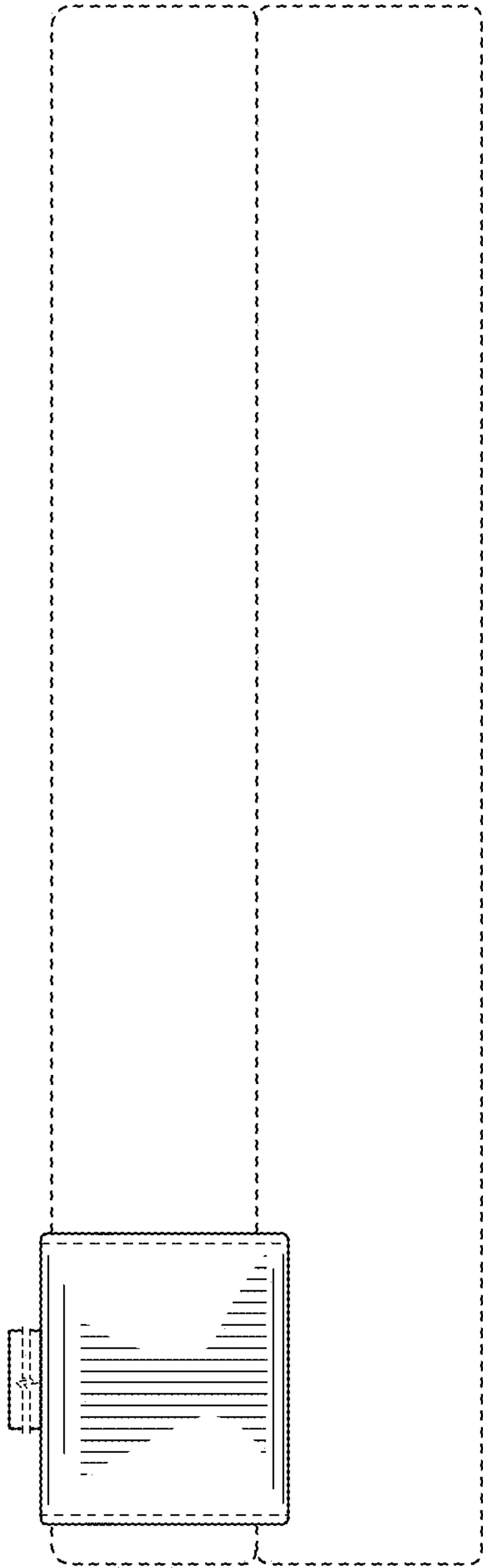


FIG. 14

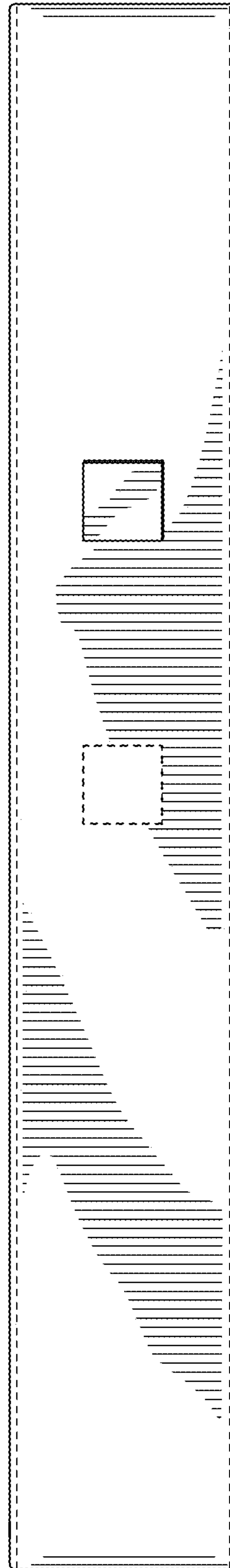


FIG. 15

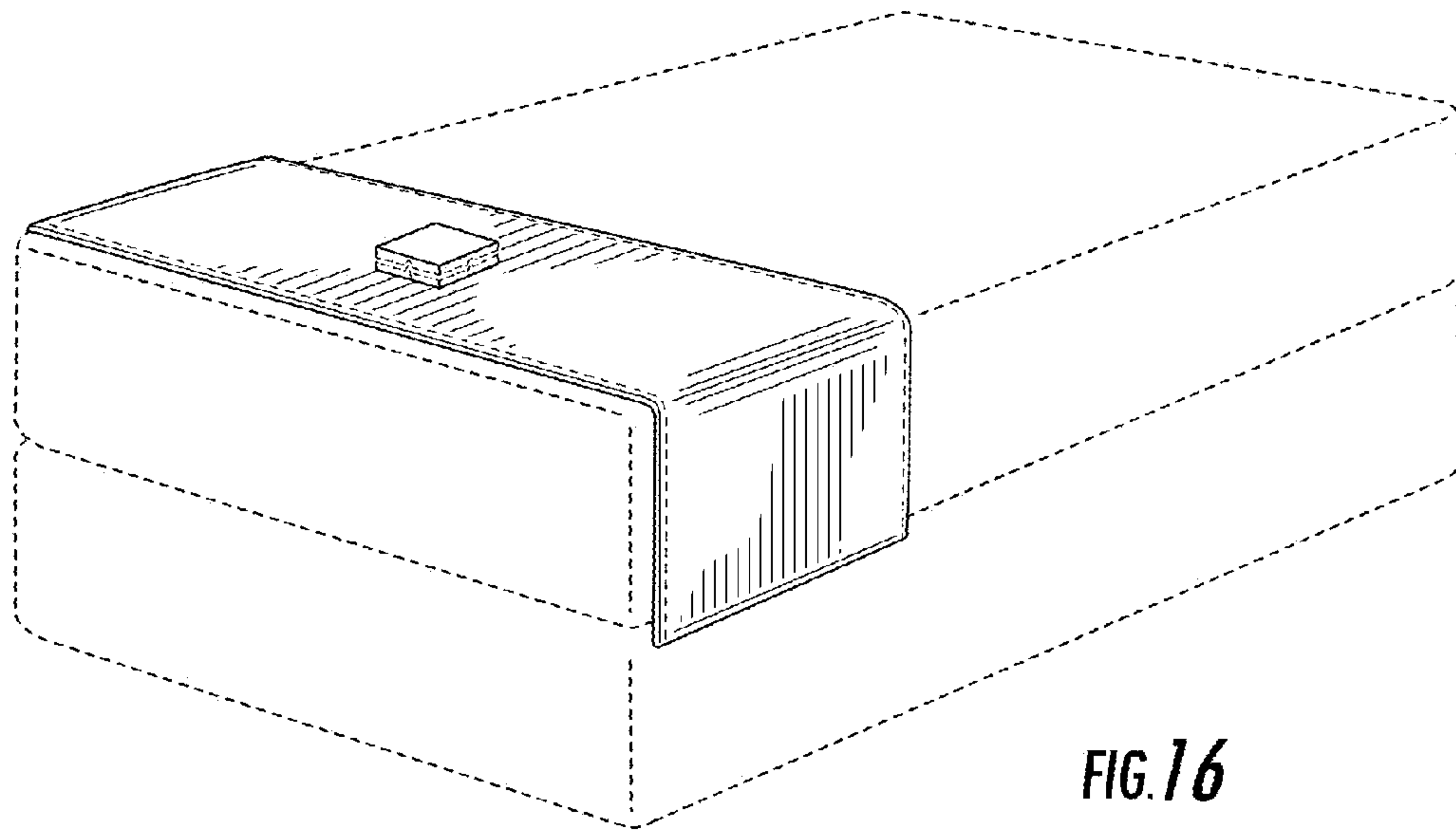


FIG. 16

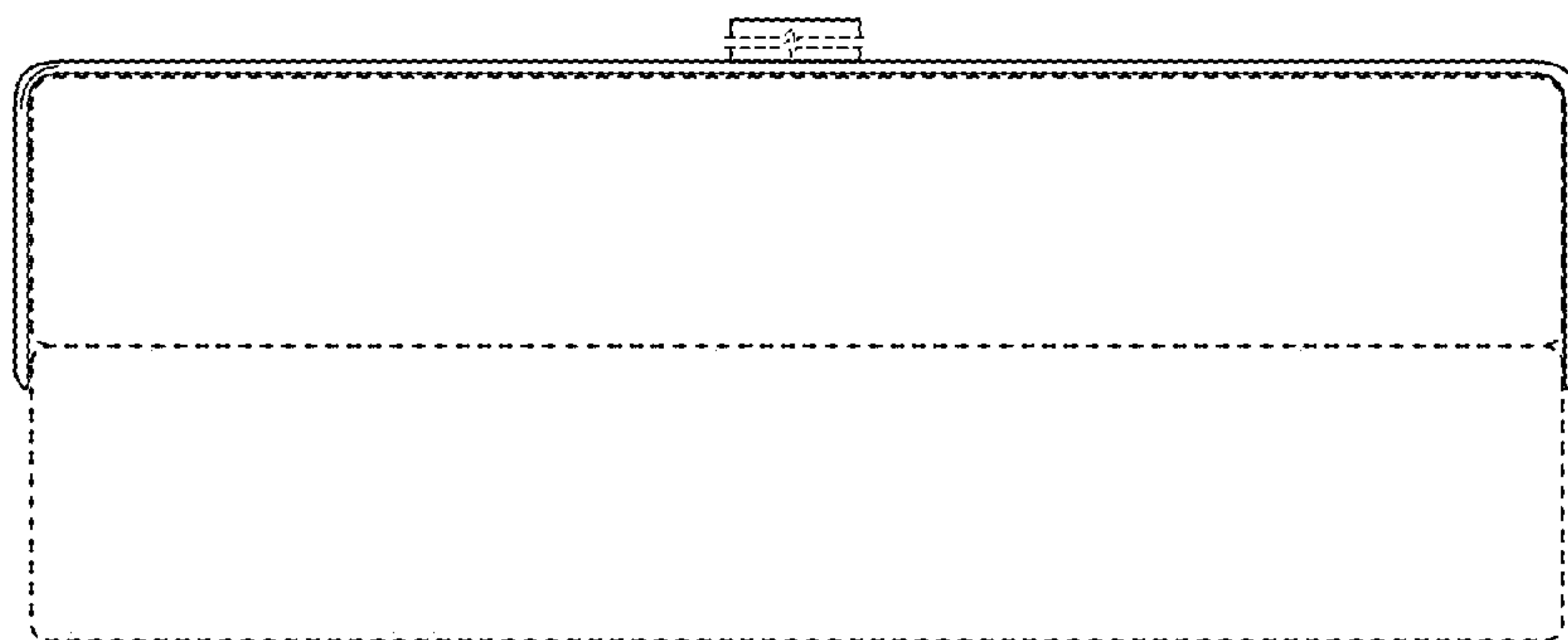


FIG. 18

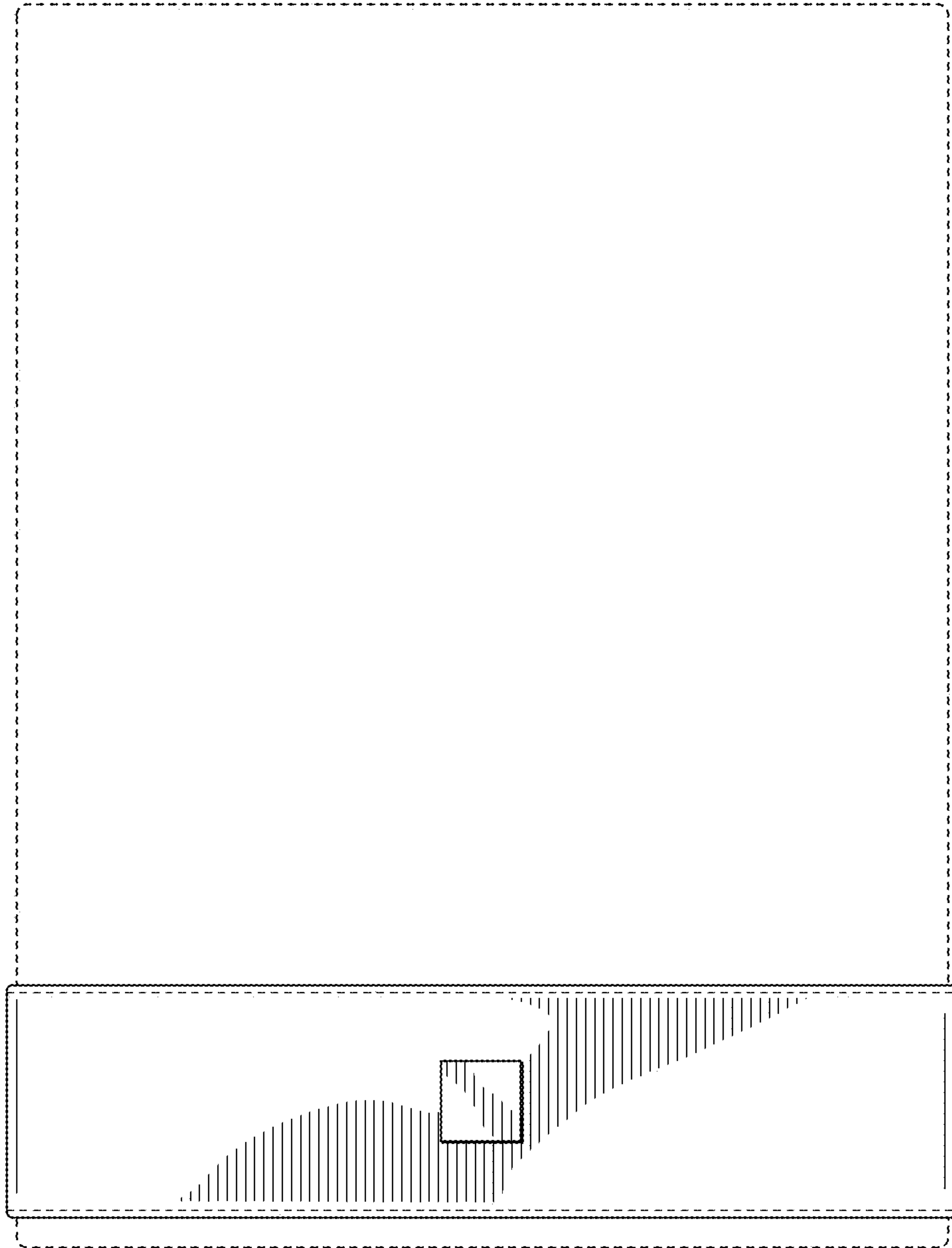


FIG. 17

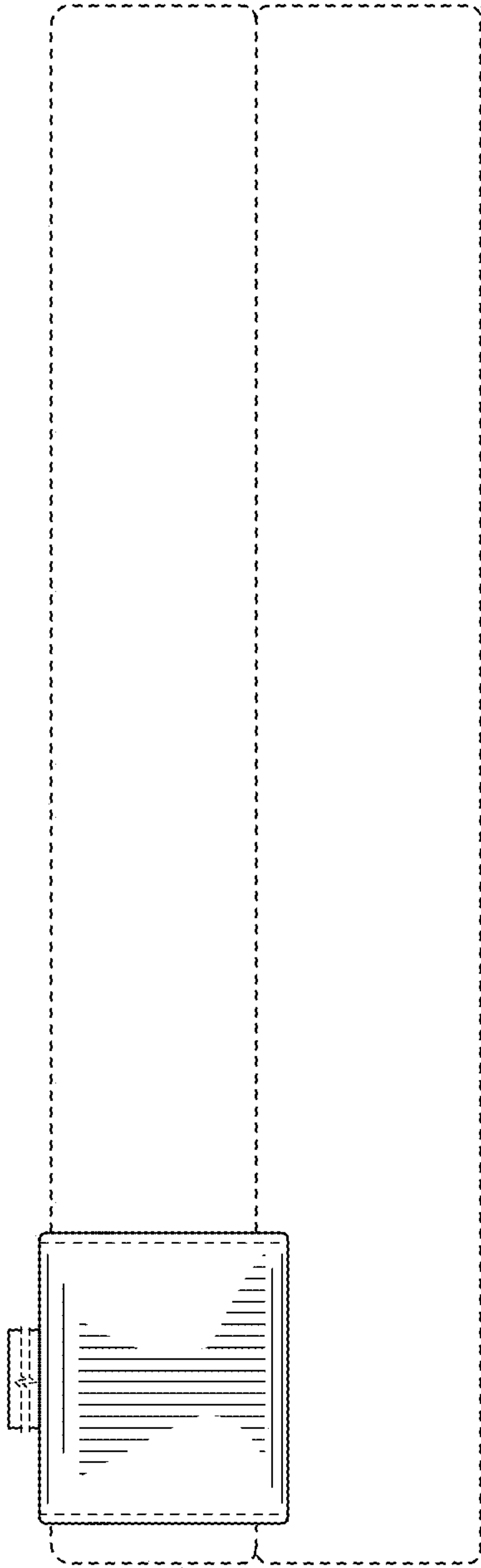


FIG. 19

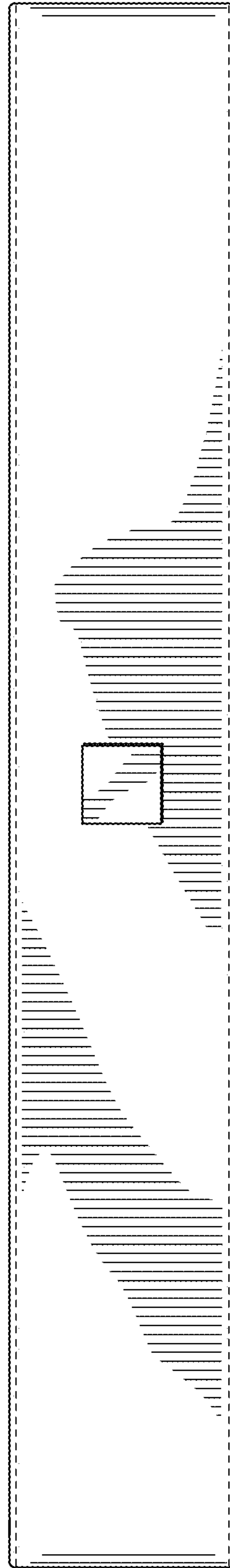


FIG. 20