



US00D707983S

(12) **United States Design Patent**
Hughes

(10) **Patent No.:** **US D707,983 S**

(45) **Date of Patent:** **** Jul. 1, 2014**

(54) **MATTRESS**

(71) Applicant: **Michael L Hughes**, Thousand Oaks, CA
(US)

(72) Inventor: **Michael L Hughes**, Thousand Oaks, CA
(US)

(73) Assignee: **PlushBeds, Inc.**, Wilmington, DE (US)

(**) Term: **14 Years**

(21) Appl. No.: **29/446,046**

(22) Filed: **Feb. 20, 2013**

(51) **LOC (10) Cl.** **06-09**

(52) **U.S. Cl.**
USPC **D6/605**

(58) **Field of Classification Search**
USPC D6/595, 596, 601, 604, 605, 606;
5/690, 706, 716, 717, 739, 740, 657.5,
5/907; D1/100; D28/8.1; D25/113;
D9/414, 416

See application file for complete search history.

(56) **References Cited**

U.S. PATENT DOCUMENTS

1,762,106	A *	6/1930	Pittoni	5/739
2,609,548	A *	9/1952	Doane	5/692
2,614,272	A *	10/1952	Morner	5/655.3
2,859,455	A *	11/1958	Koenigsberg	5/740
2,973,526	A *	3/1961	Wetzler	5/737
3,047,888	A *	8/1962	Shecter et al.	428/218

D616,236	S *	5/2010	Morrison	D6/596
D621,197	S *	8/2010	Gladney et al.	D6/605
D622,531	S *	8/2010	Morrison et al.	D6/605
D662,753	S *	7/2012	Shive	D6/605
D670,129	S *	11/2012	Price	D6/605
D687,655	S *	8/2013	Price	D6/605

* cited by examiner

Primary Examiner — Janice Seeger

(74) *Attorney, Agent, or Firm* — White-Welker & Welker, LLC; Matthew T. Welker, Esq.

(57) **CLAIM**

The ornamental design for a mattress, as shown and described.

DESCRIPTION

FIG. 1 is a front, top perspective view of a the mattress showing the design;

FIG. 2 is a front view thereof, the rear view being a mirror image thereof;

FIG. 3 is a left side view thereof, the right side being a mirror image thereof;

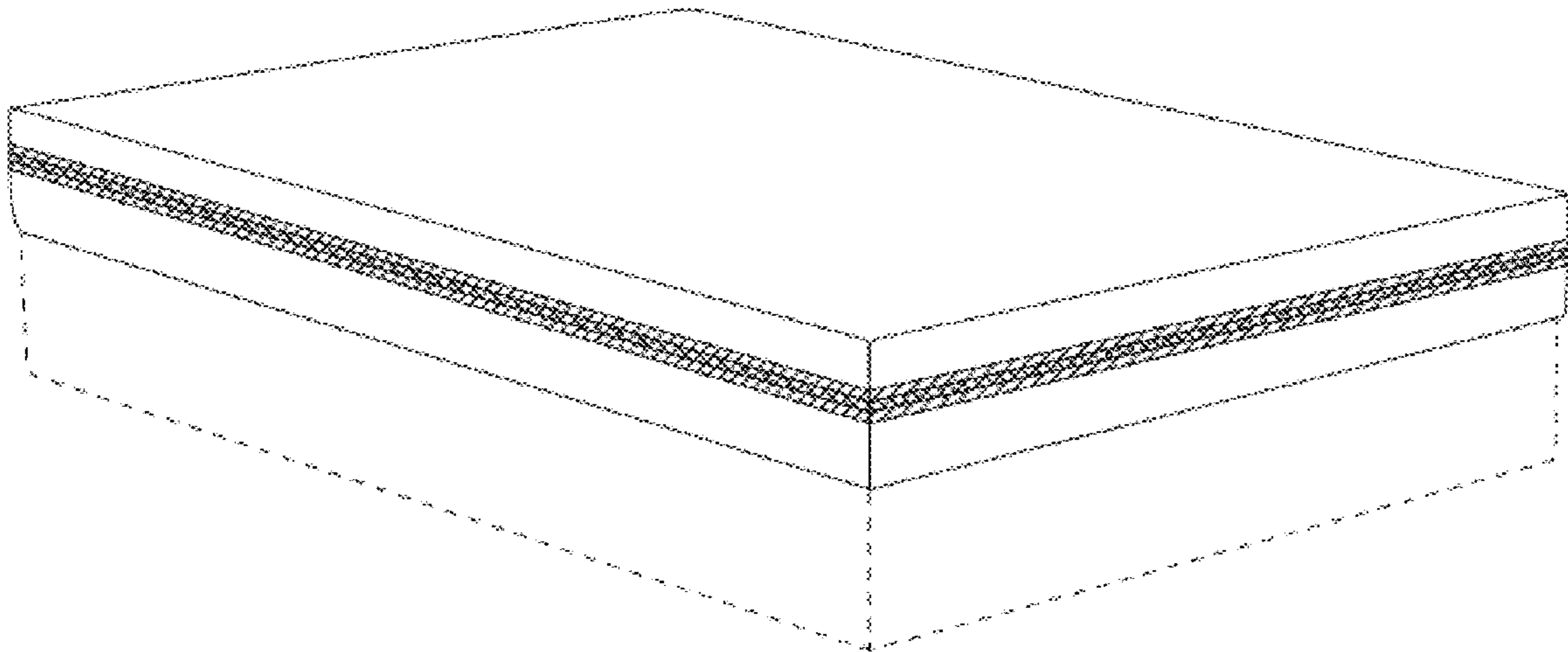
FIG. 4 is a perspective view showing the mattress in an alternate environment on a bed frame;

FIG. 5 is a perspective view showing the mattress in a second alternate environment and in an articulated position; and,

FIG. 6 is an enlarged and more detailed view of the mattress design illustrating the three line and two stripe design.

The surface shading indicates a contrast in appearance.

1 Claim, 6 Drawing Sheets



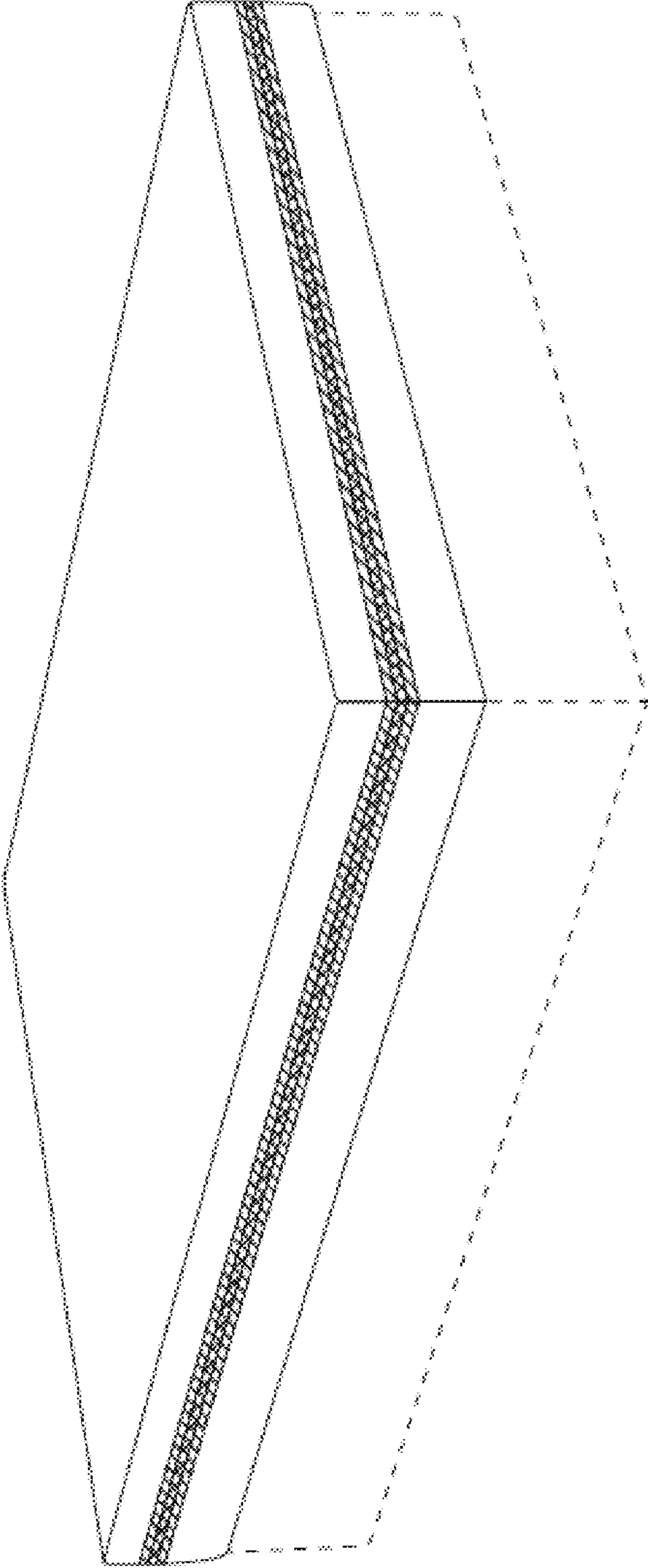


FIG. 1

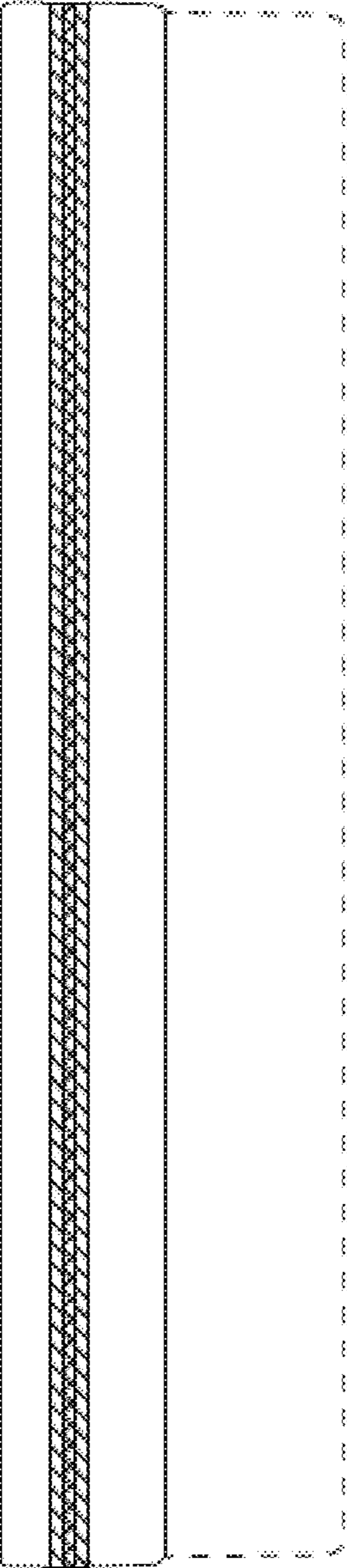


FIG. 2

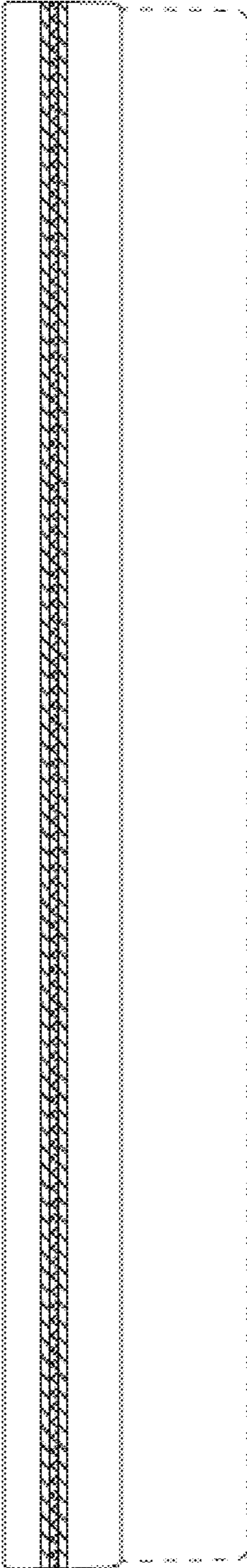


FIG. 3

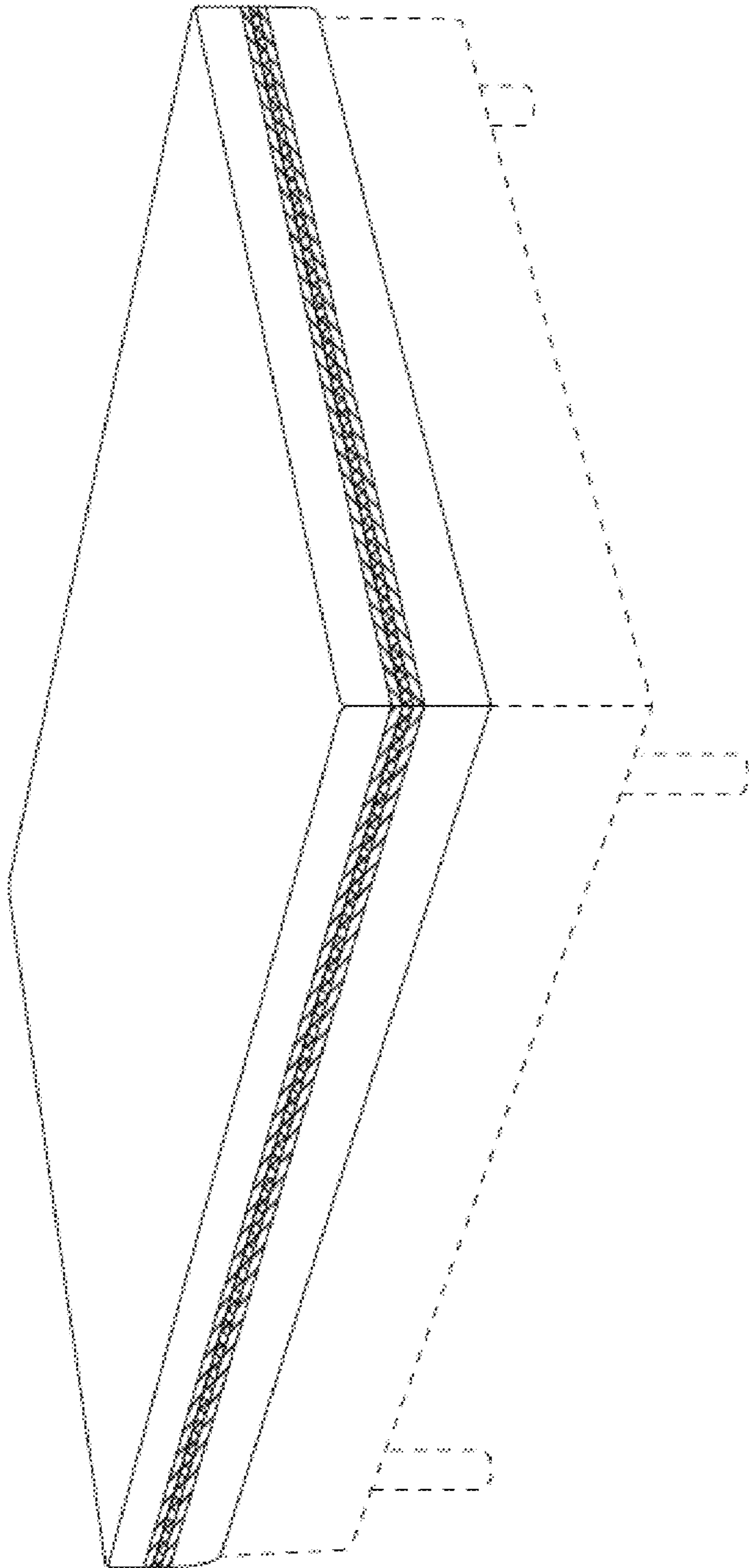


FIG. 4

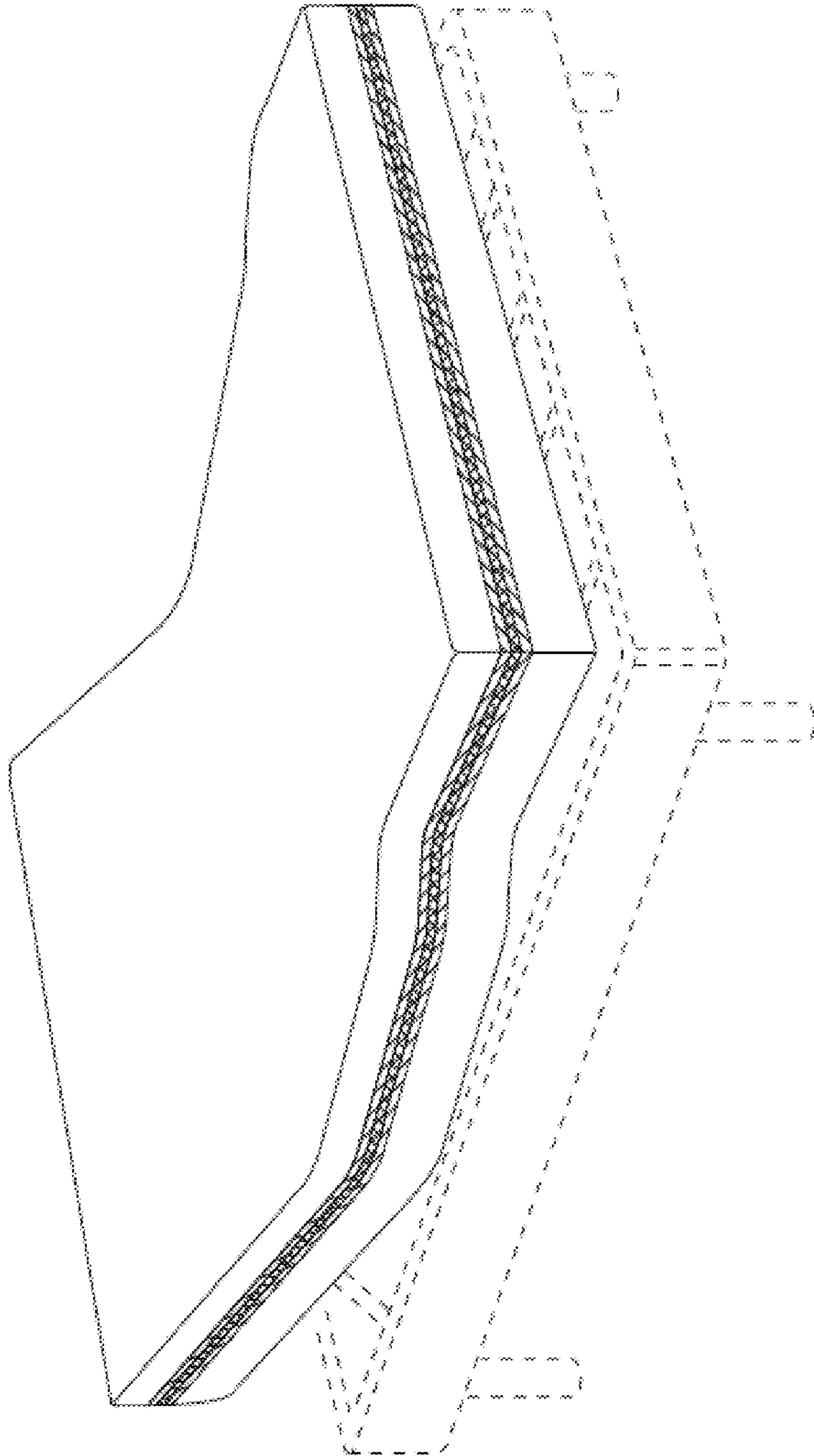


FIG. 5

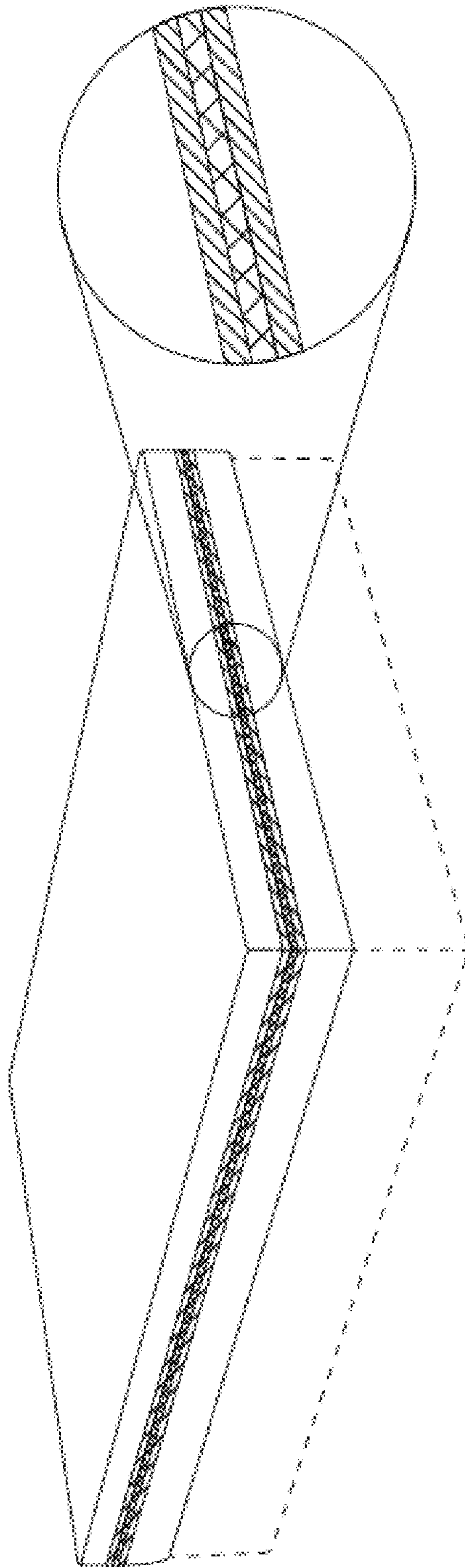


FIG. 6