



US00D707982S

(12) **United States Design Patent**
Chin et al.

(10) **Patent No.:** **US D707,982 S**

(45) **Date of Patent:** **** Jul. 1, 2014**

(54) **CHANGING CUSHION**

(71) Applicant: **Playtex Products, Inc.**, Shelton, CT (US)
(72) Inventors: **Jennifer Chin**, Stamford, CT (US);
Marisol Rodriguez, Brooklyn, NY (US)
(73) Assignee: **Eveready Battery Company, Inc.**, St. Louis, MO (US)

(**) Term: **14 Years**

(21) Appl. No.: **29/439,630**

(22) Filed: **Dec. 13, 2012**

(51) **LOC (10) Cl.** **06-09**

(52) **U.S. Cl.**
USPC **D6/601**

(58) **Field of Classification Search**
USPC D6/595, 596, 601, 604, 333, 390;
5/630, 636, 648, 652-655, 655.3,
5/655.9, 656, 657.5, 417, 420, 945, 947
See application file for complete search history.

(56) **References Cited**

U.S. PATENT DOCUMENTS

D310,609 S *	9/1990	Burkhardt	D6/601
D312,372 S *	11/1990	Rutherford	D6/601
D328,682 S *	8/1992	Carney	D6/601
2004/0139548 A1 *	7/2004	Hwang-Pao	5/636

* cited by examiner

Primary Examiner — Janice Seeger
(74) *Attorney, Agent, or Firm* — Energizer Personal Care, LLC

(57) **CLAIM**

We claim the ornamental design for the changing cushion, as shown and described.

DESCRIPTION

FIG. 1 is an upper front perspective view of a changing cushion.
FIG. 2 is a lower bottom perspective view thereof.
FIG. 3 is a top view thereof.
FIG. 4 is a front view of FIG. 3.
FIG. 5 is a back view of FIG. 3.
FIG. 6 is a bottom view thereof.
FIG. 7 is a left side view of FIG. 3; and,
FIG. 8 is a right side view of FIG. 3.
The broken lines in the figures depict environmental subject matter only and form no part of the claimed design.

1 Claim, 4 Drawing Sheets

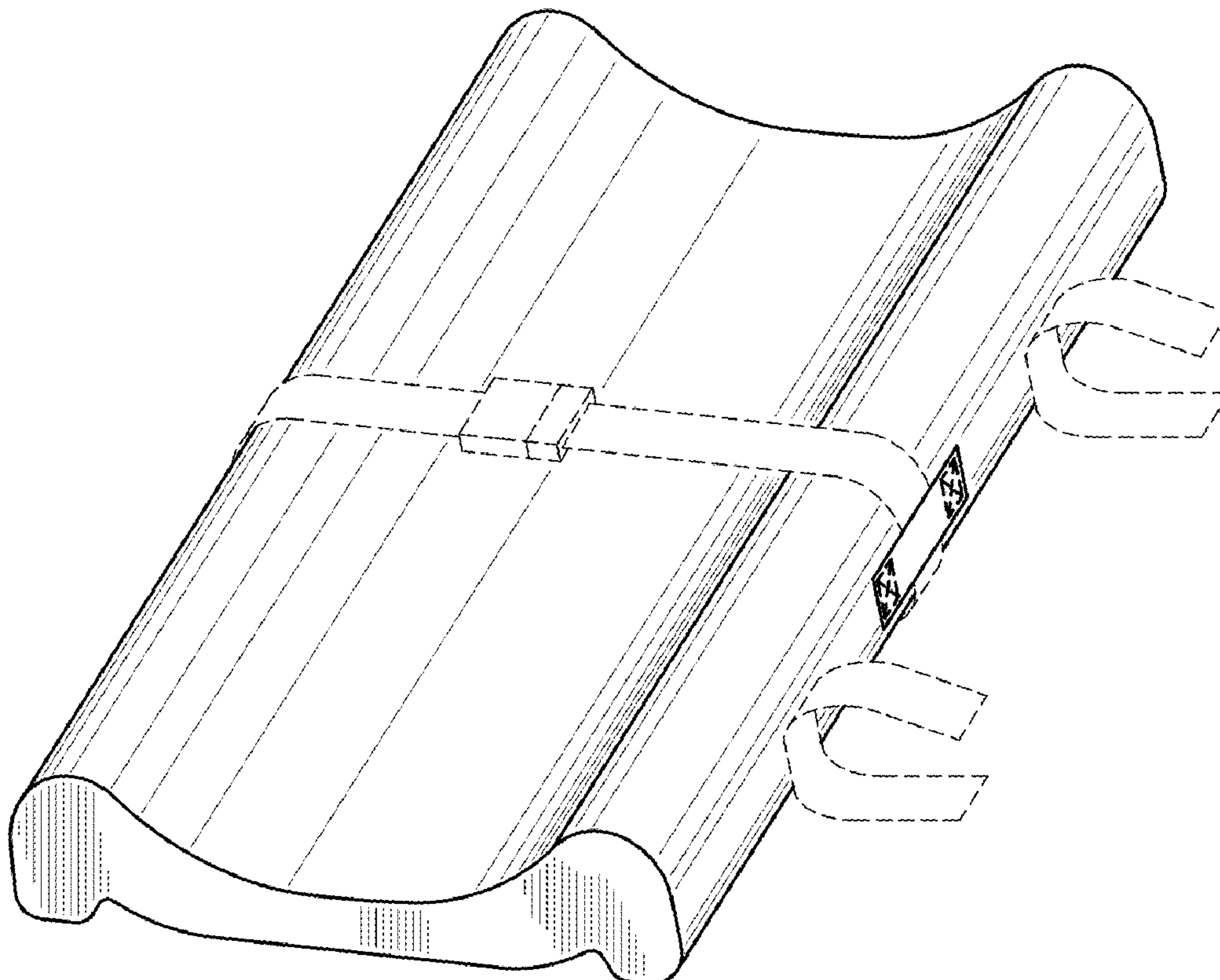


FIG. 1

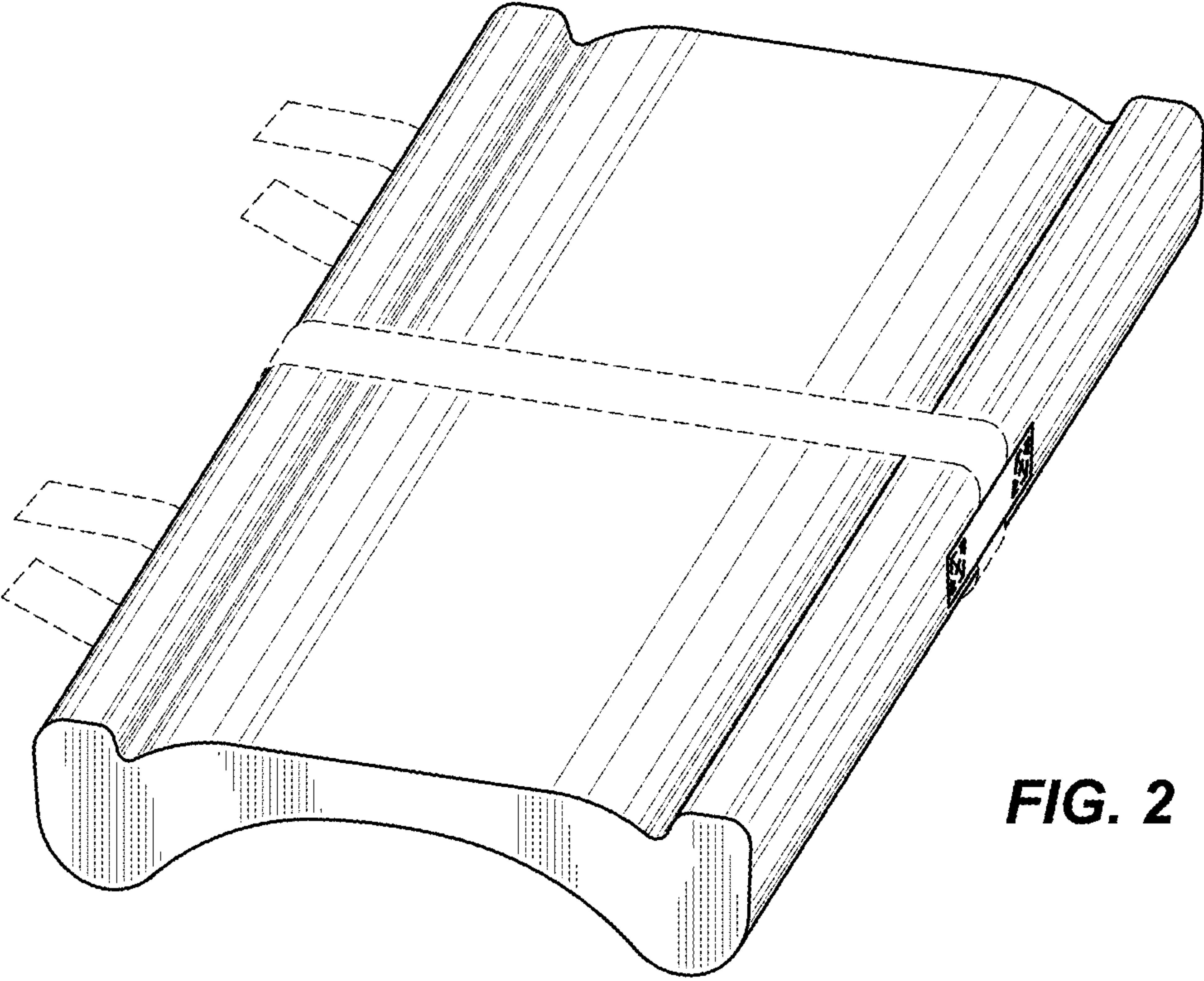
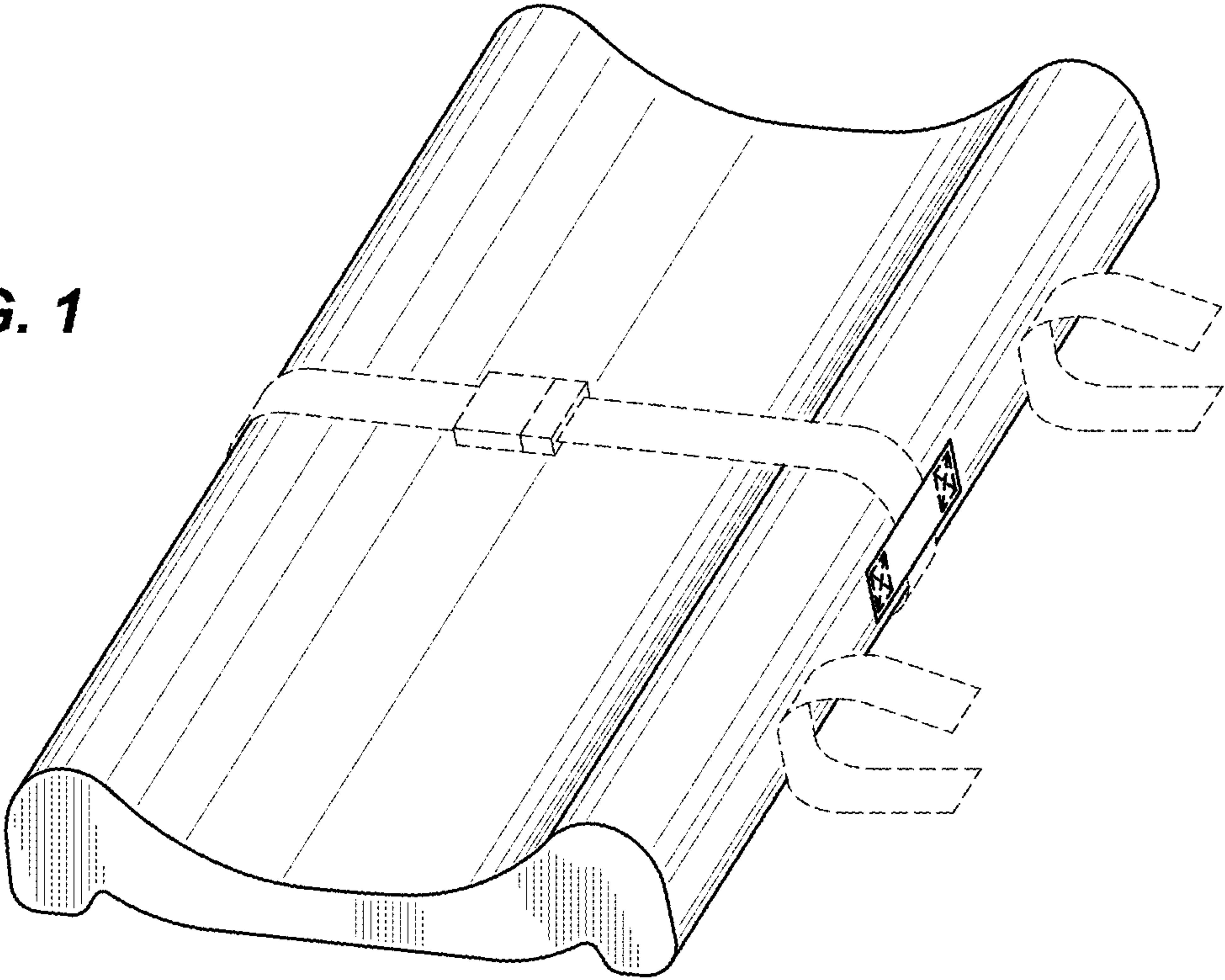


FIG. 2

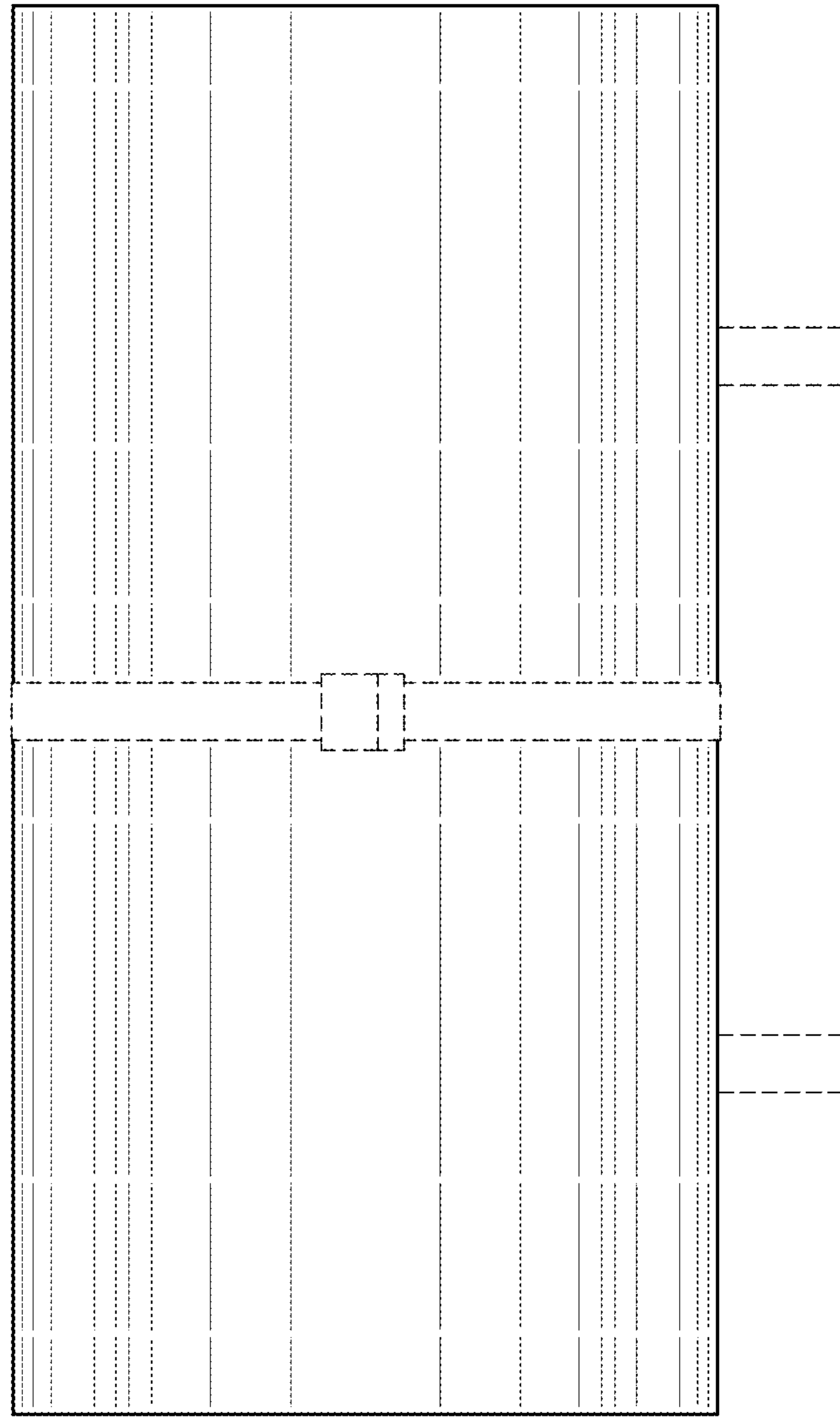


FIG. 3

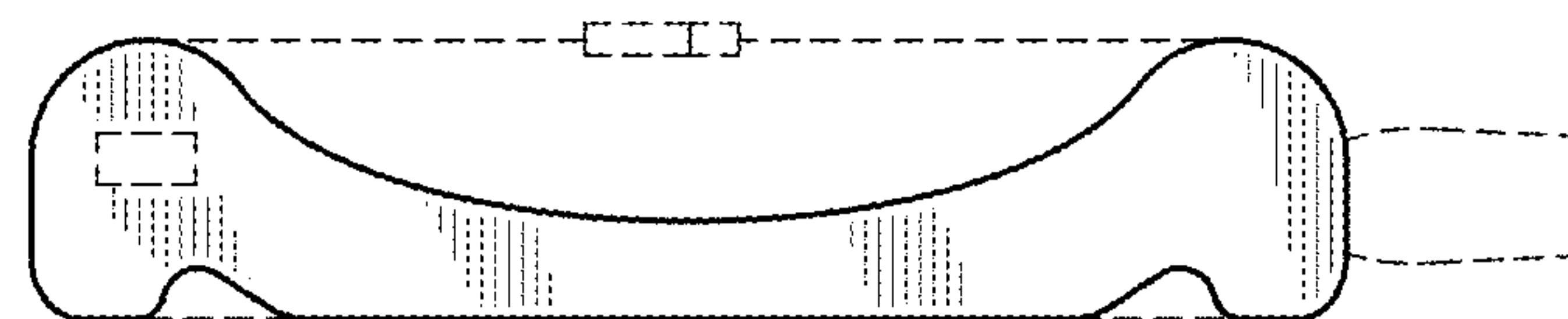


FIG. 4

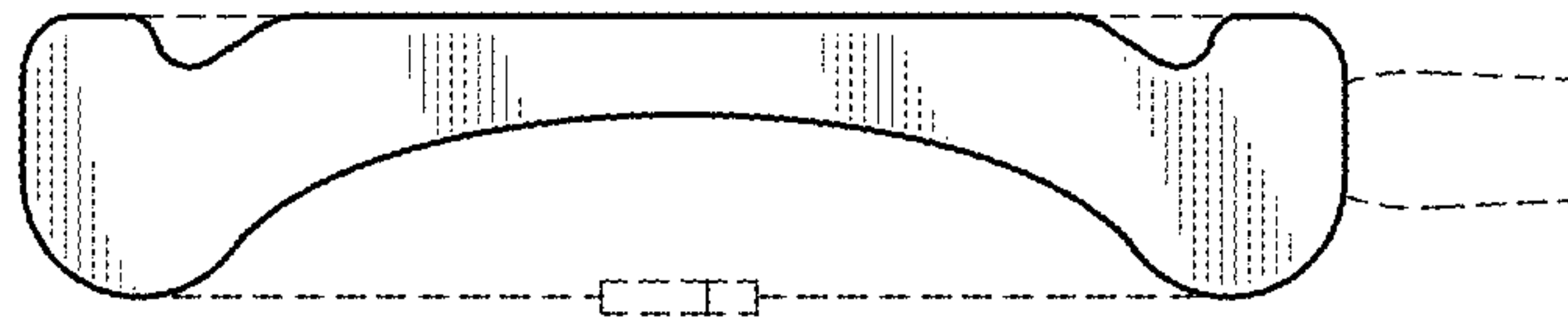


FIG. 5

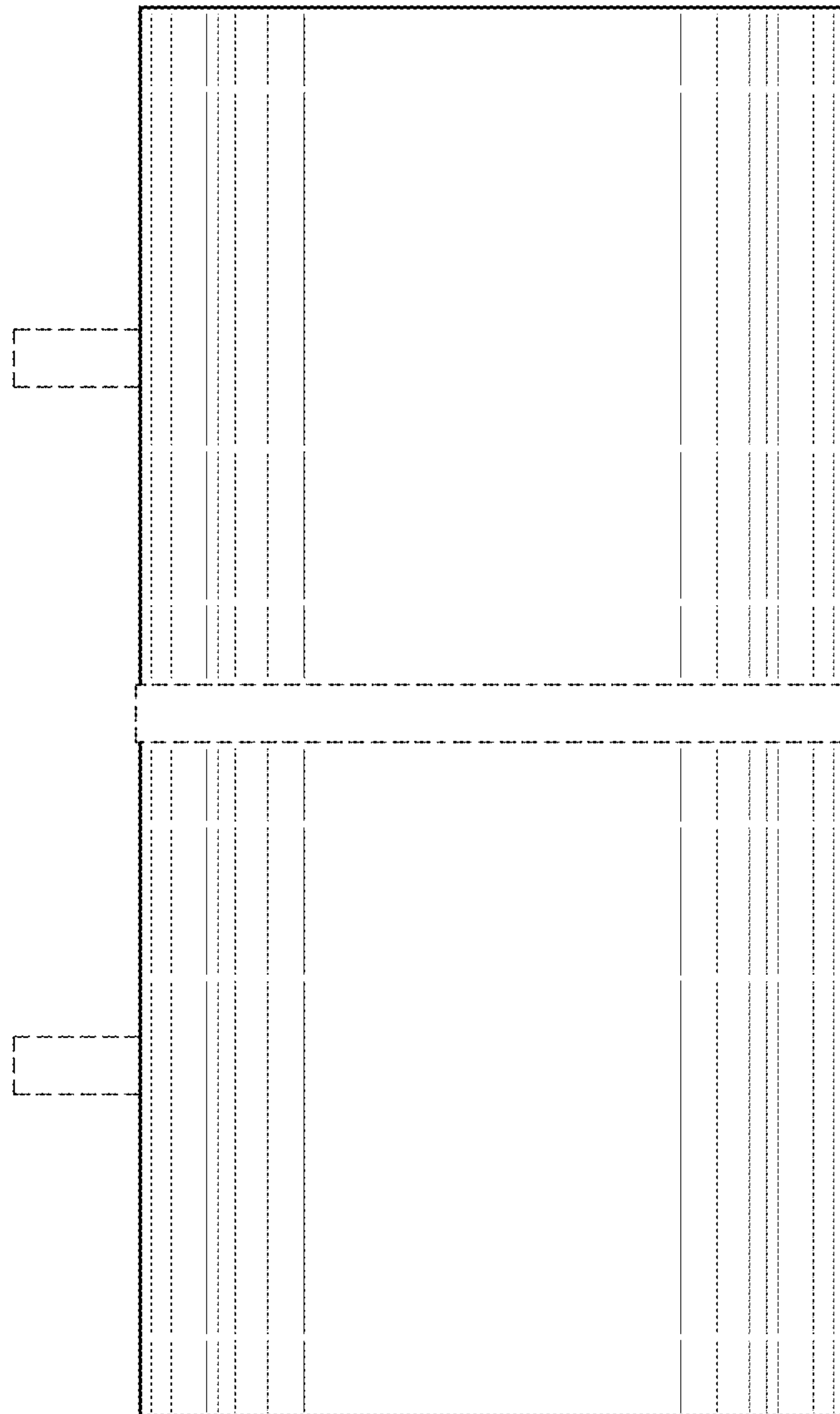


FIG. 6

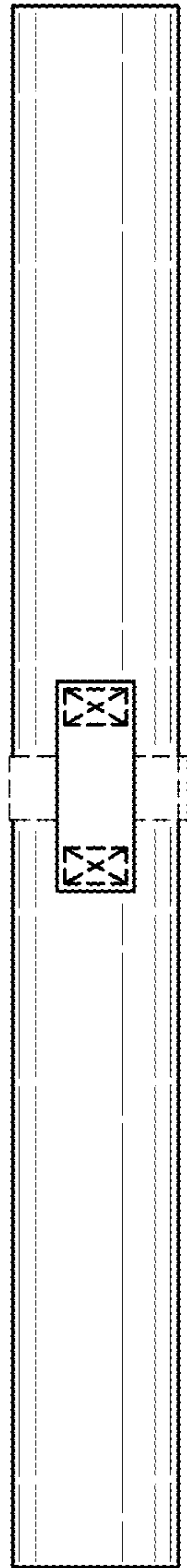


FIG. 7

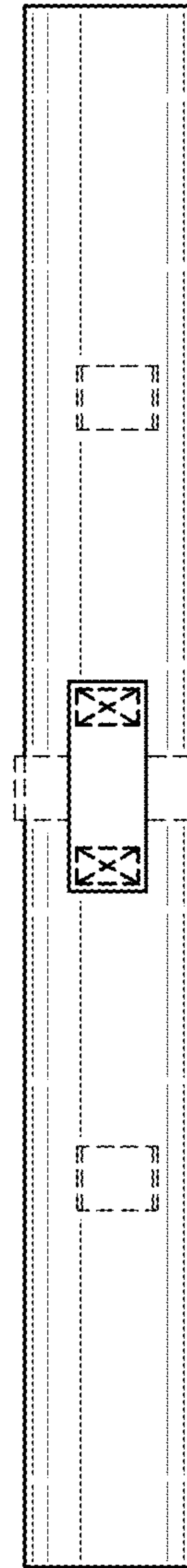


FIG. 8