



US00D707980S

(12) **United States Design Patent**
Pesl

(10) **Patent No.:** **US D707,980 S**

(45) **Date of Patent:** **** Jul. 1, 2014**

(54) **POT HOLDER**

(76) **Inventor:** **William Thomas Pesl**, Green Bay, WI
(US)

(**) **Term:** **14 Years**

(21) **Appl. No.:** **29/427,732**

(22) **Filed:** **Jul. 21, 2012**

(51) **LOC (10) Cl.** **06-04**

(52) **U.S. Cl.**
USPC **D6/556**

(58) **Field of Classification Search**
USPC D6/553, 556; 211/13.1, 71.01, 86.01,
211/88.03, 106, 181.1; 47/39, 72, 65.5;
248/200, 302, 304, 309.1, 311.2, 314
See application file for complete search history.

(56) **References Cited**

U.S. PATENT DOCUMENTS

365,555	A	*	6/1887	Tolman	D11/152
D266,382	S	*	10/1982	Hutchinson	D6/556
D271,831	S	*	12/1983	McGain	D6/566
D359,629	S	*	6/1995	Korkowski	D6/403
D406,978	S	*	3/1999	Cox	D6/566

D554,927	S	*	11/2007	Smith	D6/566
D591,094	S	*	4/2009	Paille	D6/556
D632,517	S	*	2/2011	Pribanich	D6/556
D643,661	S	*	8/2011	Ferrer	D6/556

* cited by examiner

Primary Examiner — Brian N Vinson

(74) *Attorney, Agent, or Firm* — Steven H. Greenfield;
Greenfield Invention and Patent Consulting Inc.

(57) **CLAIM**

The ornamental design for a pot holder, as shown and described.

DESCRIPTION

FIG. 1 is a front view of an ornamental pot holder showing my new design;
FIG. 2 is a rear view thereof;
FIG. 3 is a first side view thereof;
FIG. 4 is a second side view thereof;
FIG. 5 is a bottom view thereof;
FIG. 6 is a top view thereof;
FIG. 7 is a rear perspective view thereof;
FIG. 8 is a bottom perspective view thereof; and,
FIG. 9 is a front perspective view thereof.

1 Claim, 9 Drawing Sheets

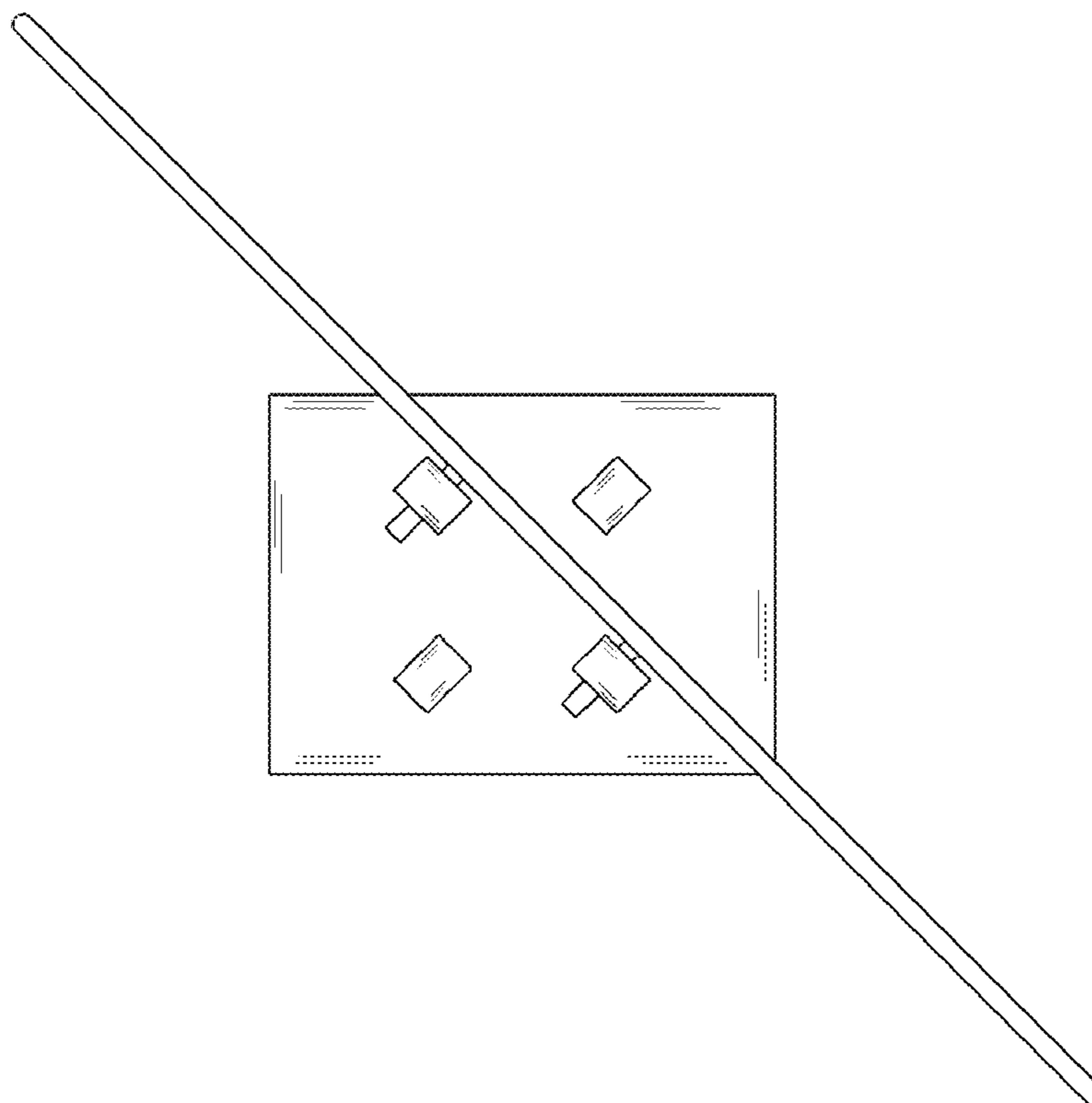


FIG. 1

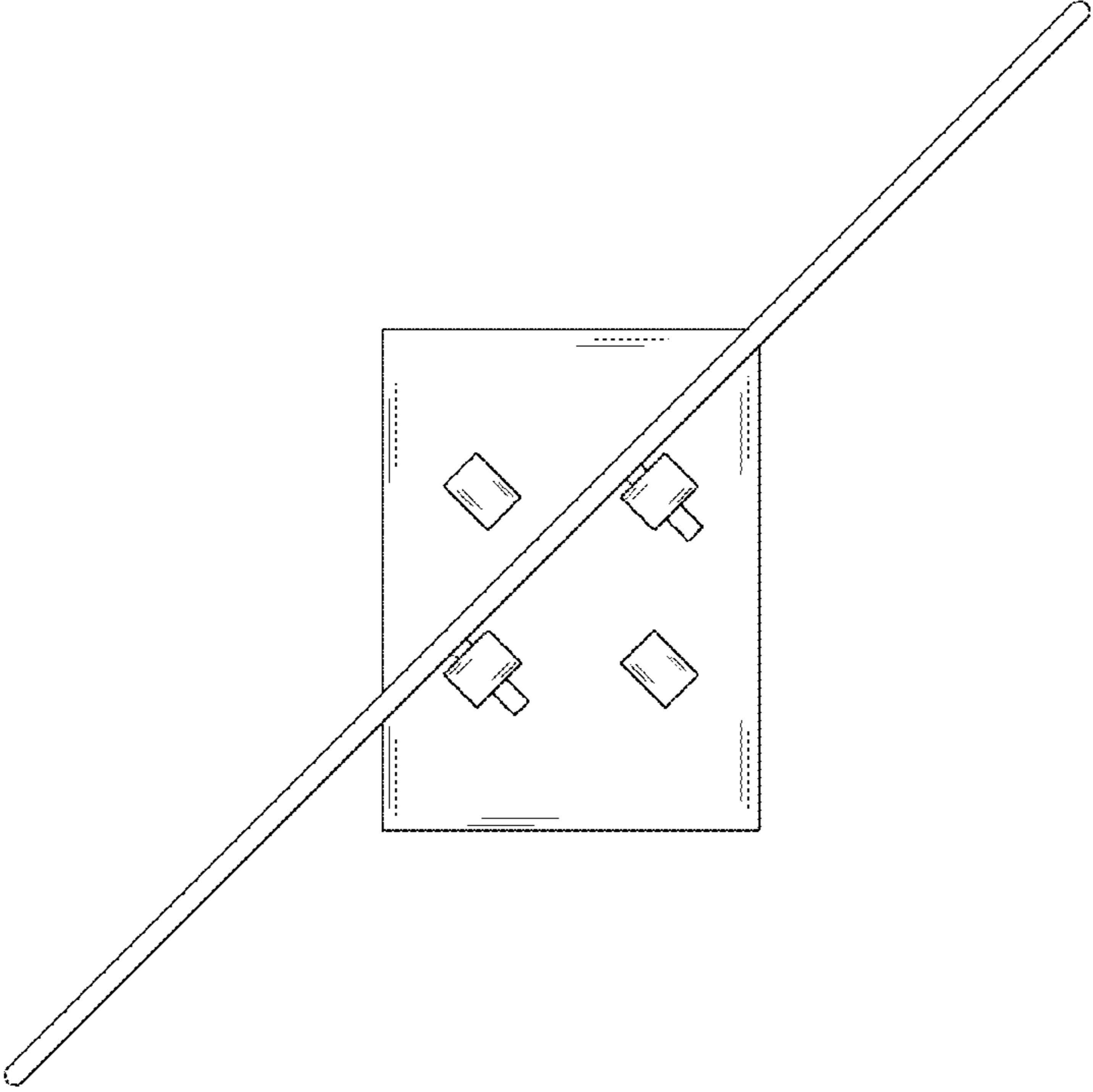


FIG. 2

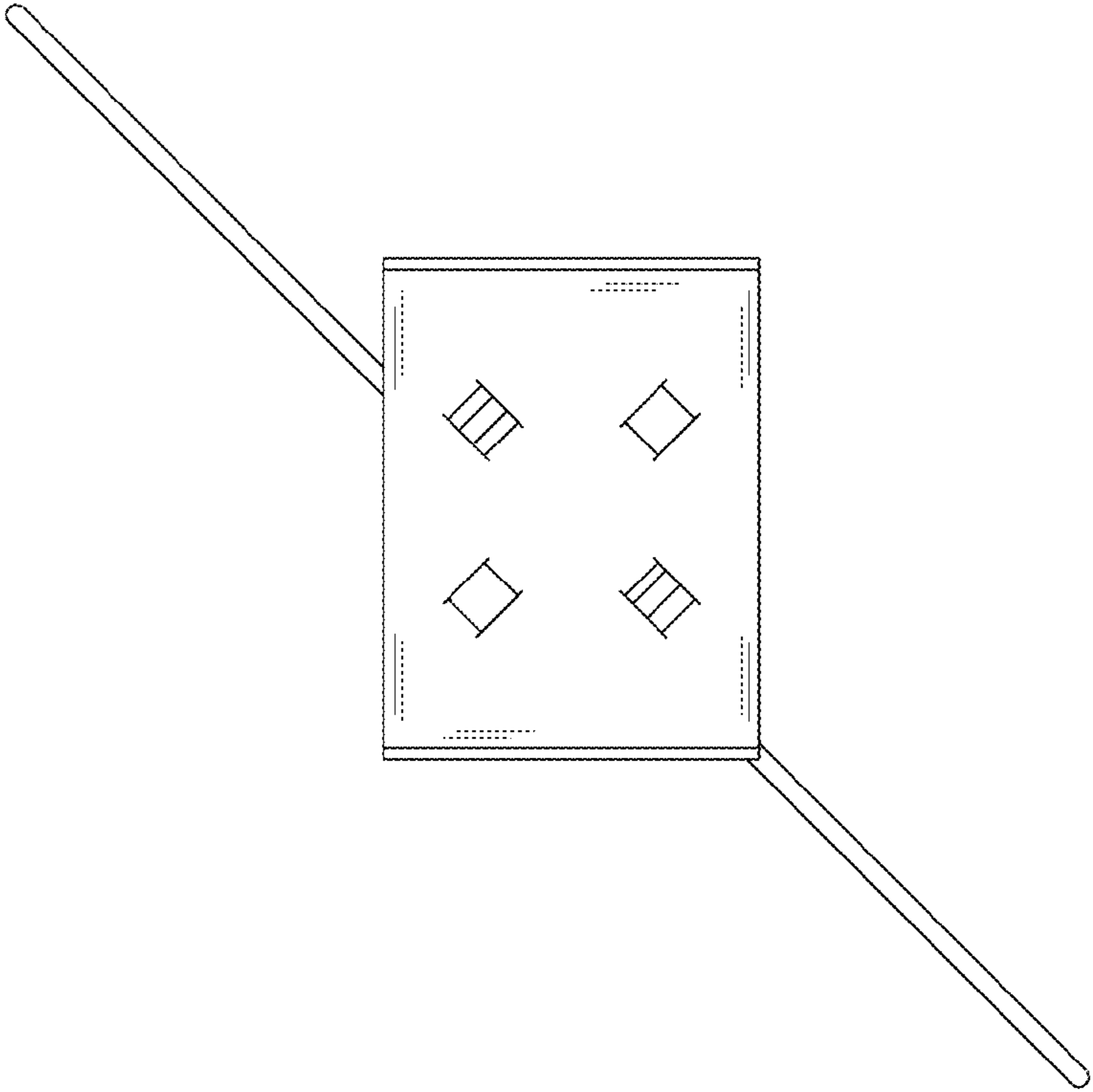


FIG. 3

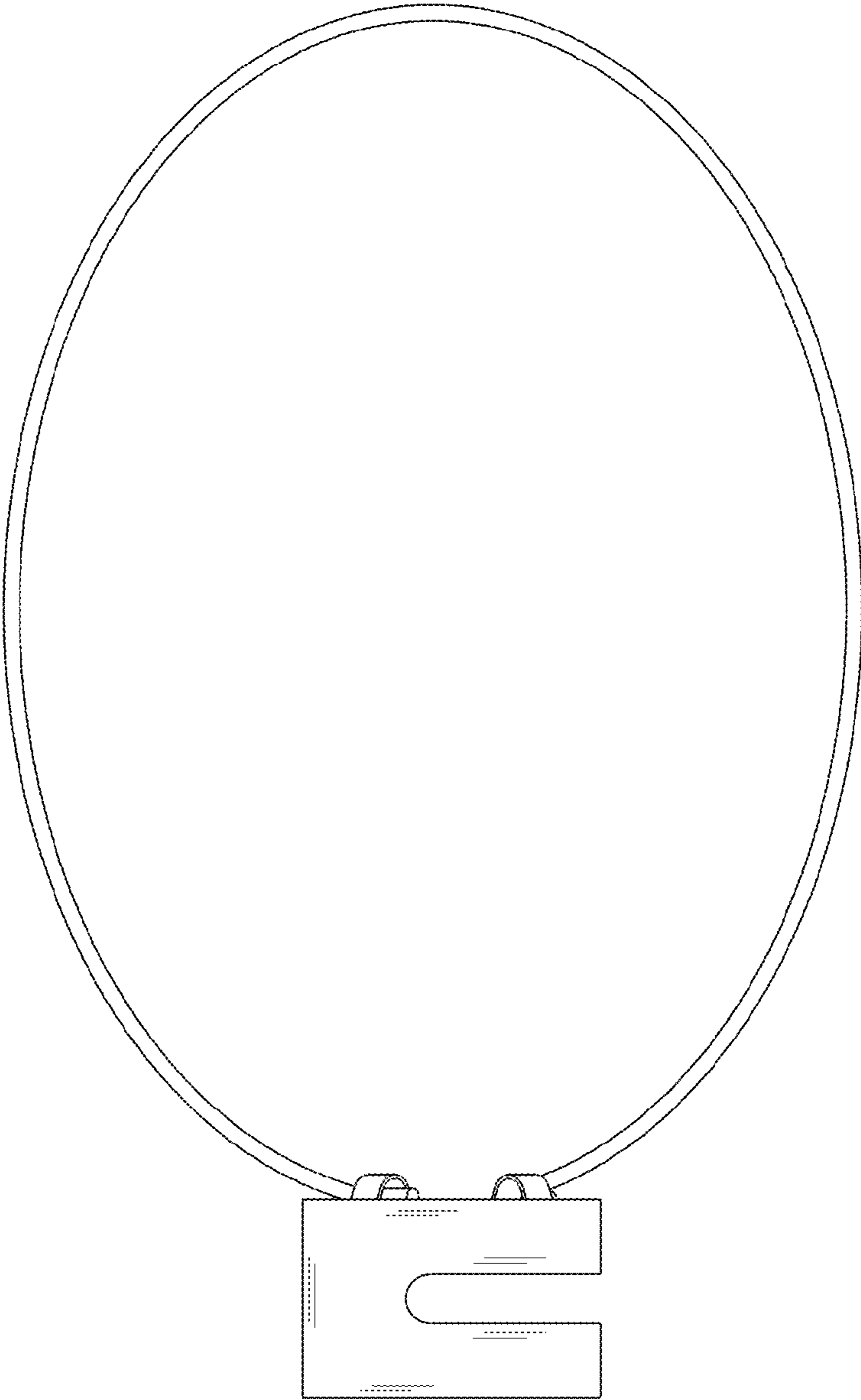
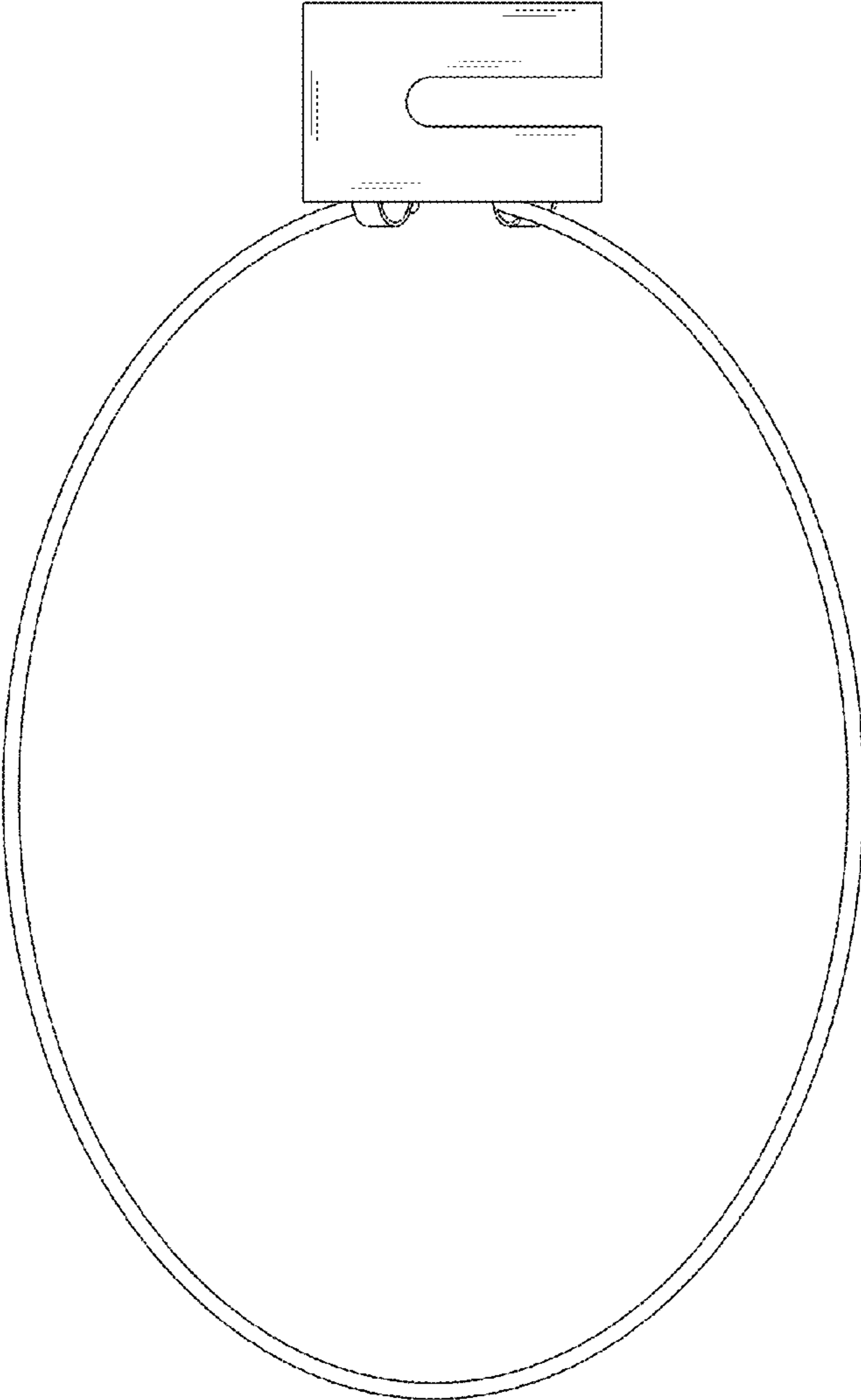


FIG. 4



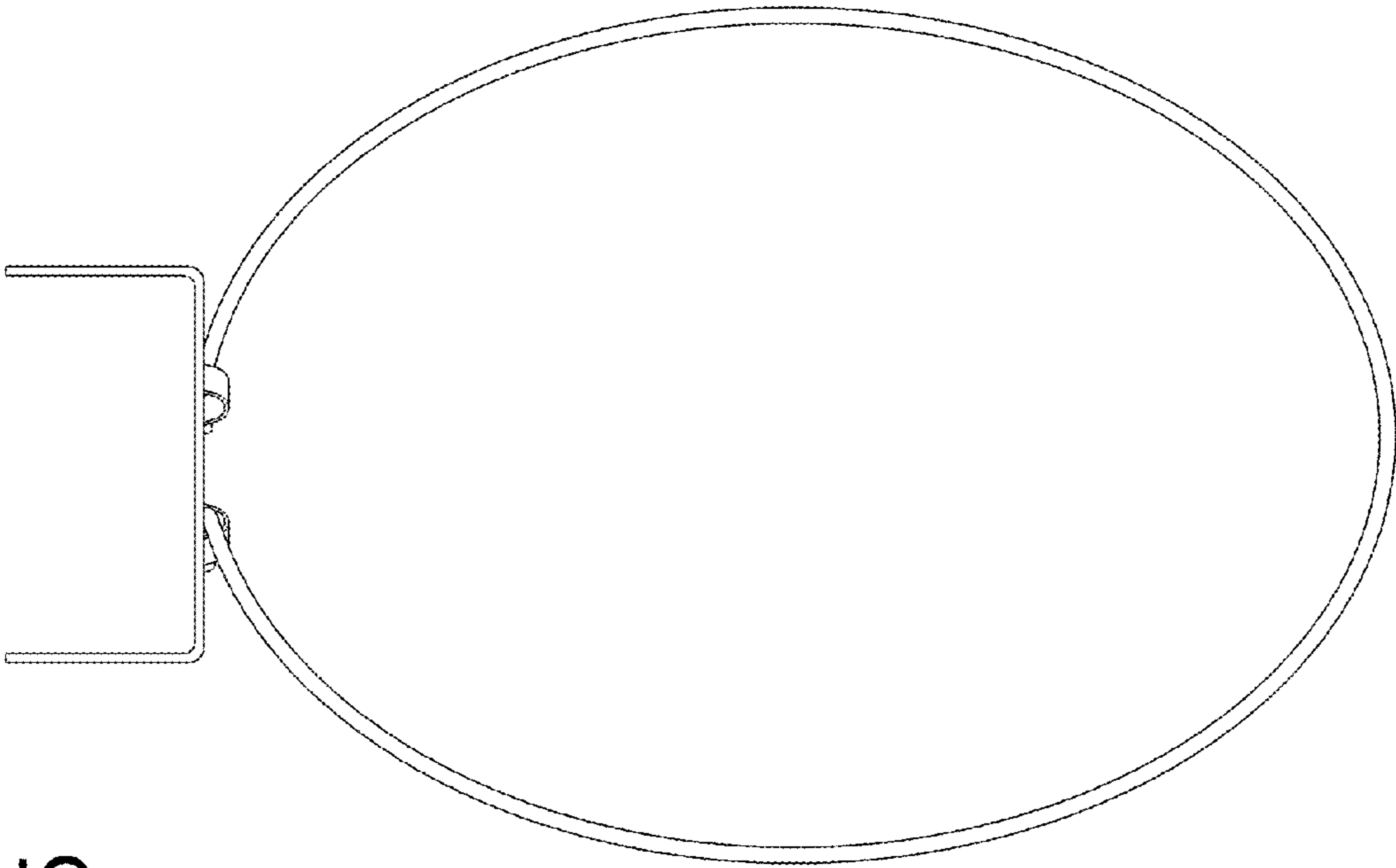


FIG. 5

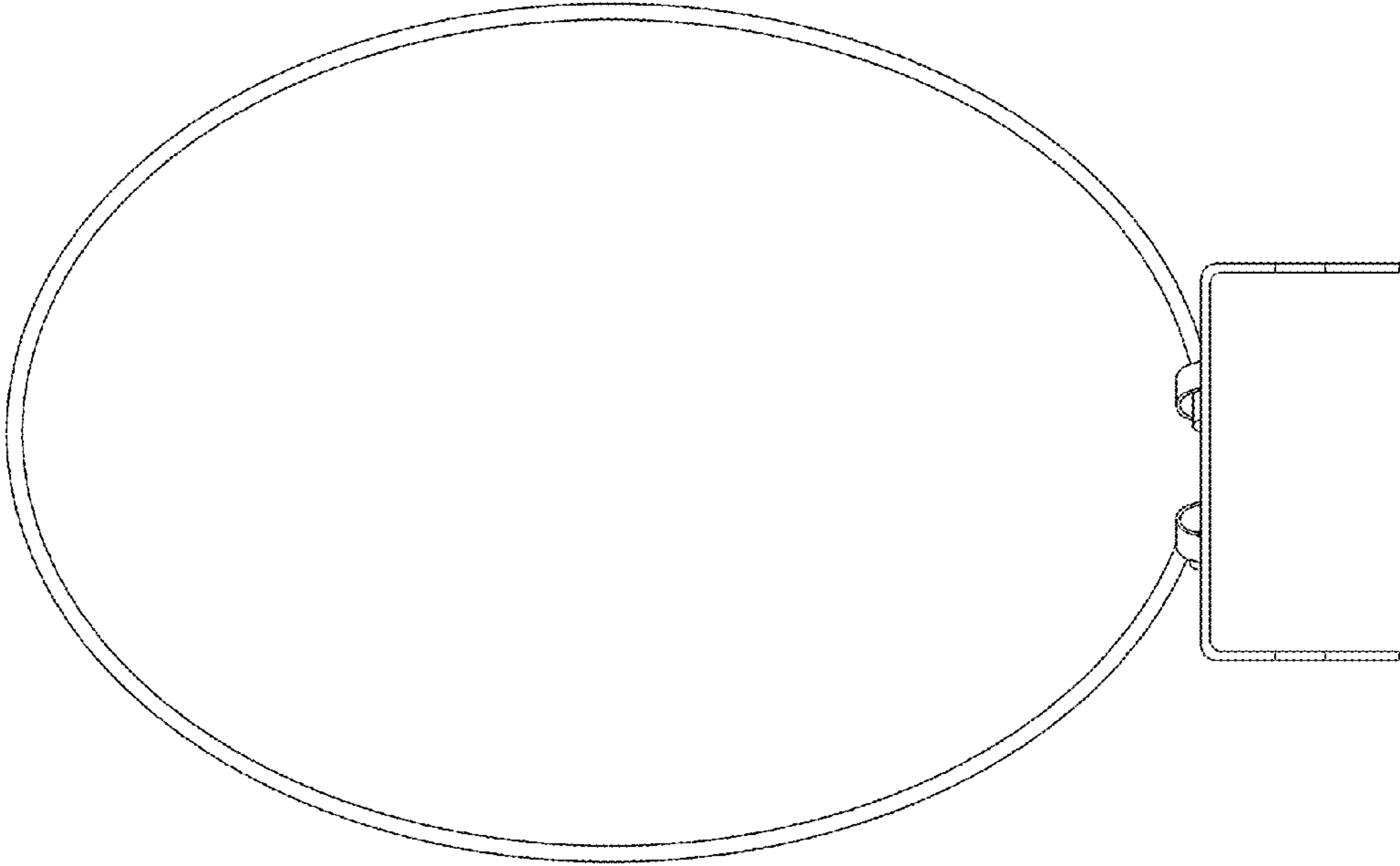


FIG. 6

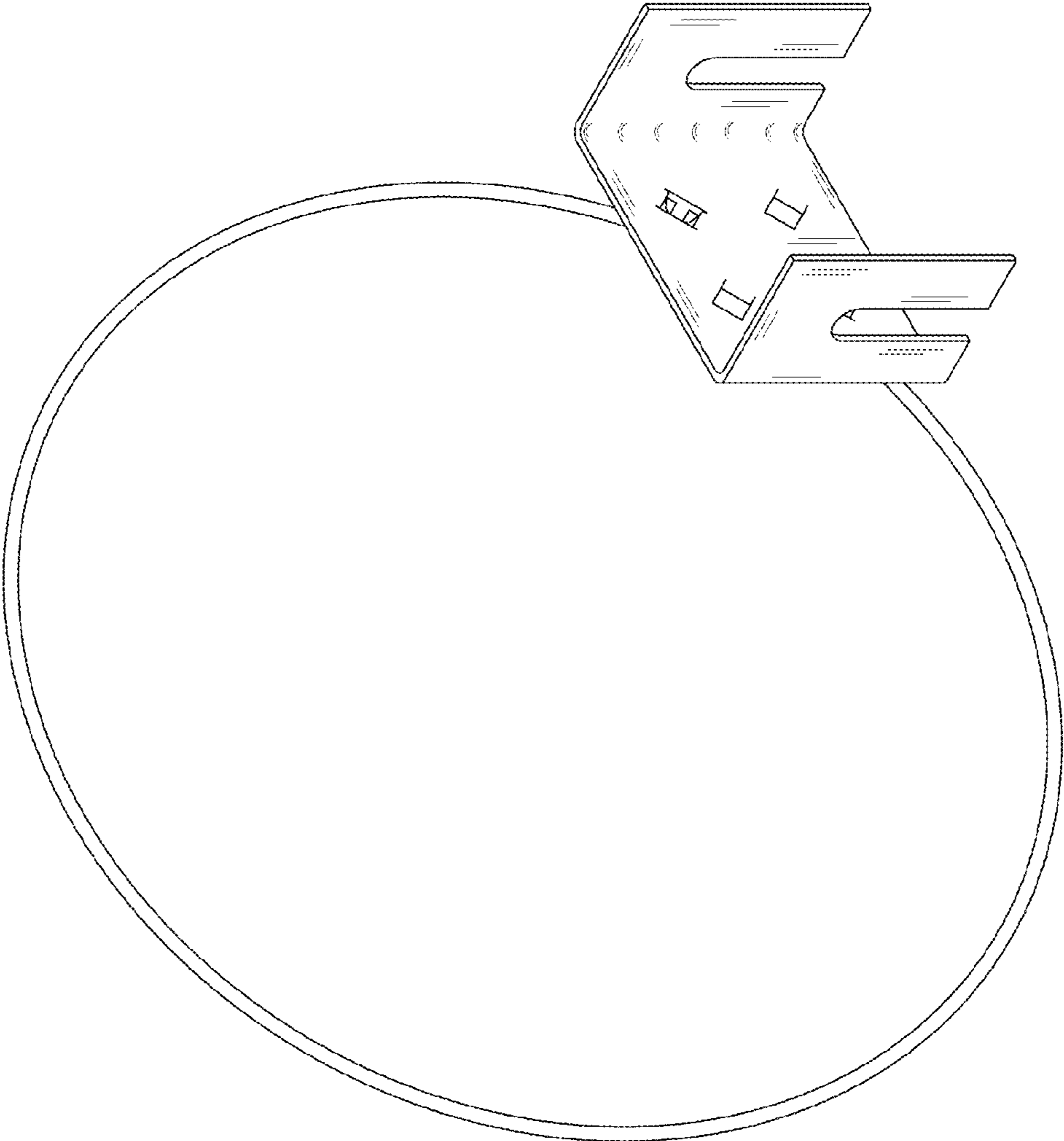


FIG. 7

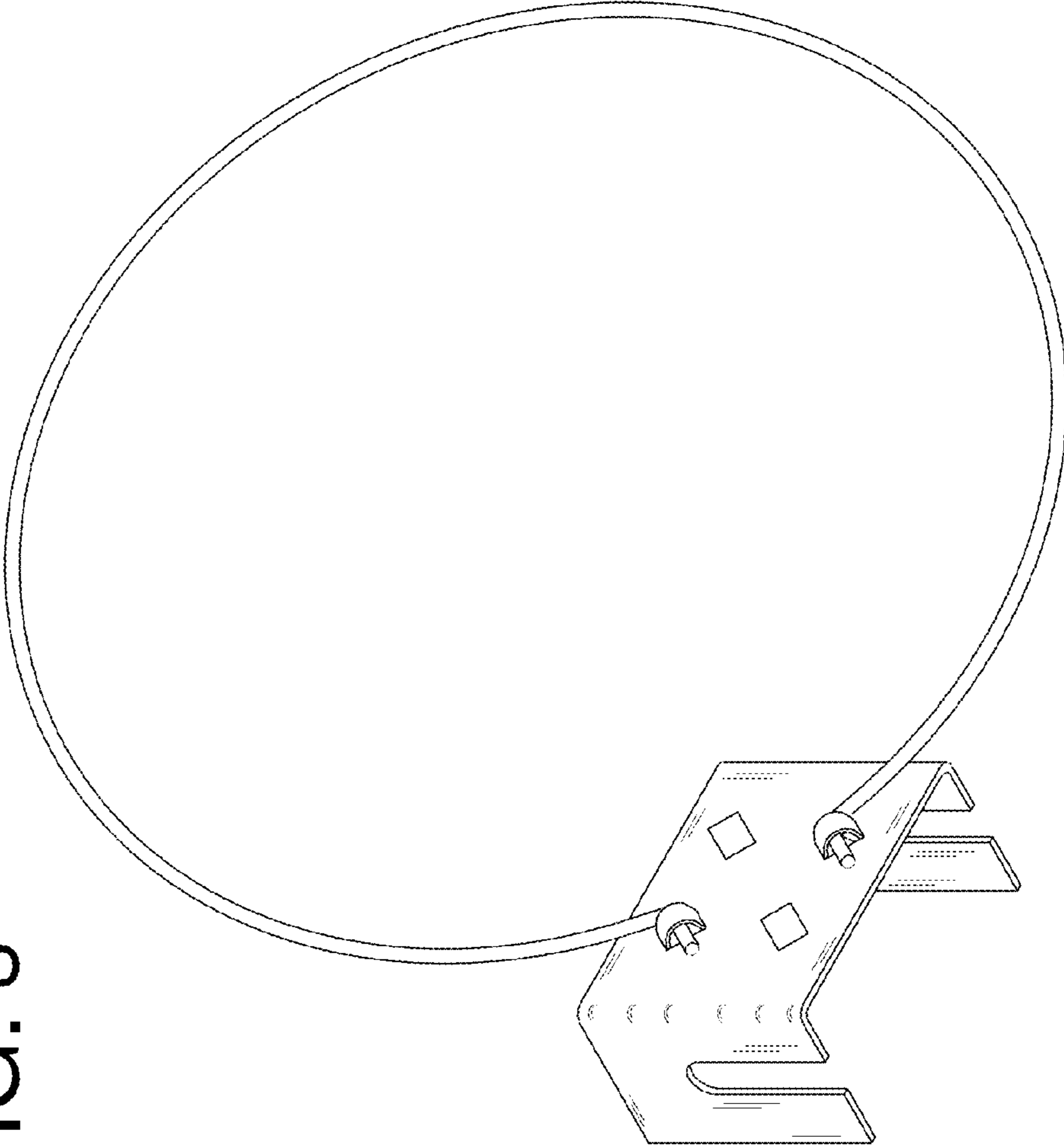


FIG. 8

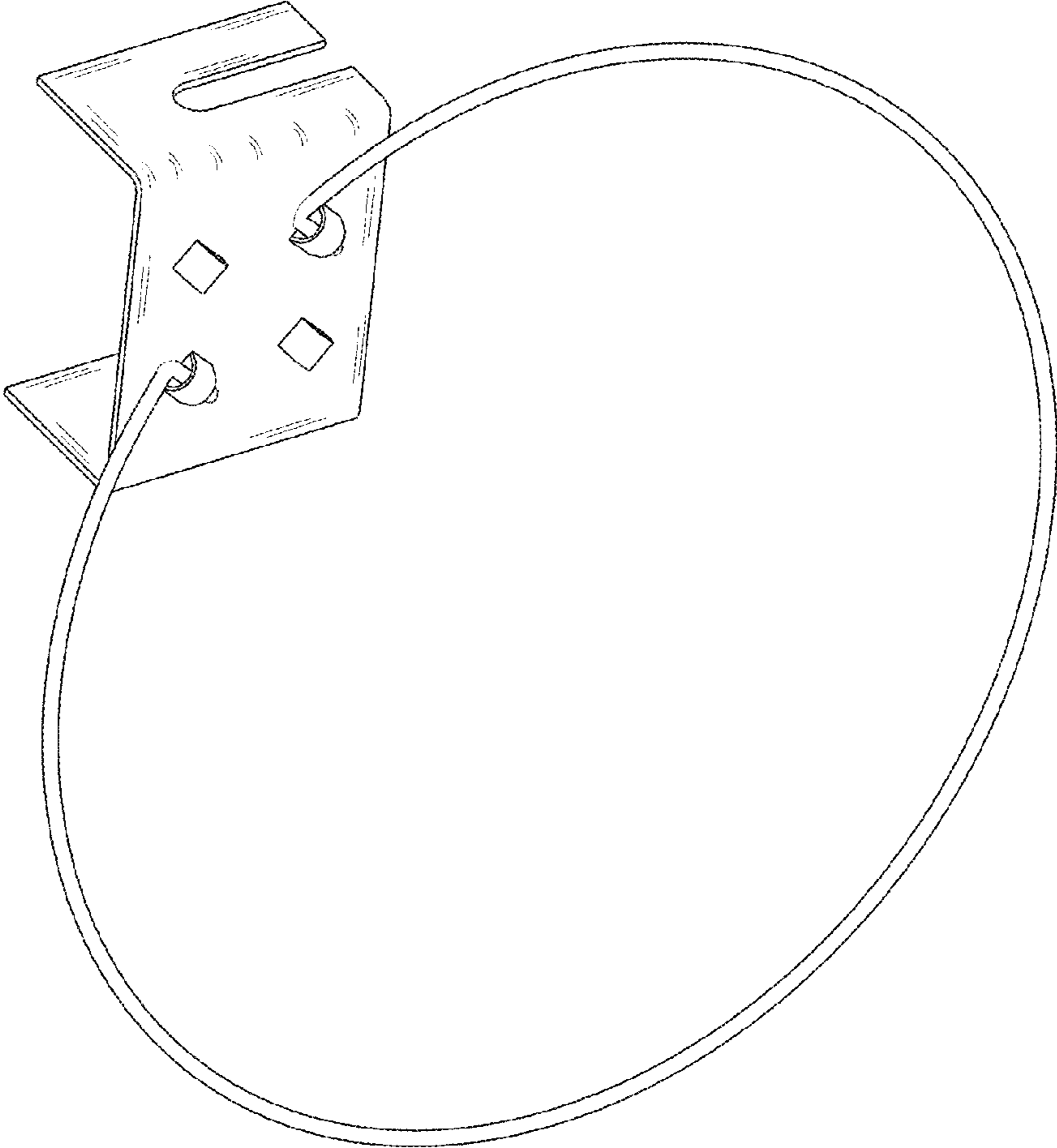


FIG. 9