



US00D707979S

(12) **United States Design Patent**  
**Hagleitner**

(10) **Patent No.:** **US D707,979 S**  
(45) **Date of Patent:** **\*\* Jul. 1, 2014**

(54) **DISPENSER WITH BACKLIGHTING**  
**FEATURE**

(76) Inventor: **Hans Georg Hagleitner**, Zell am See  
(AT)

(\*\*) Term: **14 Years**

(21) Appl. No.: **29/429,868**

(22) Filed: **Aug. 17, 2012**

(30) **Foreign Application Priority Data**

Feb. 17, 2012 (EM) ..... 1993577-0001  
Feb. 17, 2012 (EM) ..... 1993577-0002  
Feb. 17, 2012 (EM) ..... 1993577-0003  
May 7, 2012 (EM) ..... 2037903-0004

(51) **LOC (10) Cl.** ..... **23-02**

(52) **U.S. Cl.**  
USPC ..... **D6/545**

(58) **Field of Classification Search**  
USPC ..... D6/542-545; 221/208, 282, 283;  
222/105, 173, 180, 181.1, 181.2, 181.3  
See application file for complete search history.

(56) **References Cited**

U.S. PATENT DOCUMENTS

D464,514 S \* 10/2002 Lewis et al. .... D6/545  
D597,356 S \* 8/2009 Storz ..... D6/545  
D611,747 S \* 3/2010 Kramer et al. .... D6/545  
D637,848 S \* 5/2011 Kramer et al. .... D6/545  
D680,781 S \* 4/2013 Marshall ..... D6/545

\* cited by examiner

*Primary Examiner* — Brian N Vinson

(74) *Attorney, Agent, or Firm* — Laurence A. Greenberg;  
Werner H. Stemer; Ralph E. Locher

(57) **CLAIM**

The ornamental design for a dispenser with a backlighting feature, as shown and described.

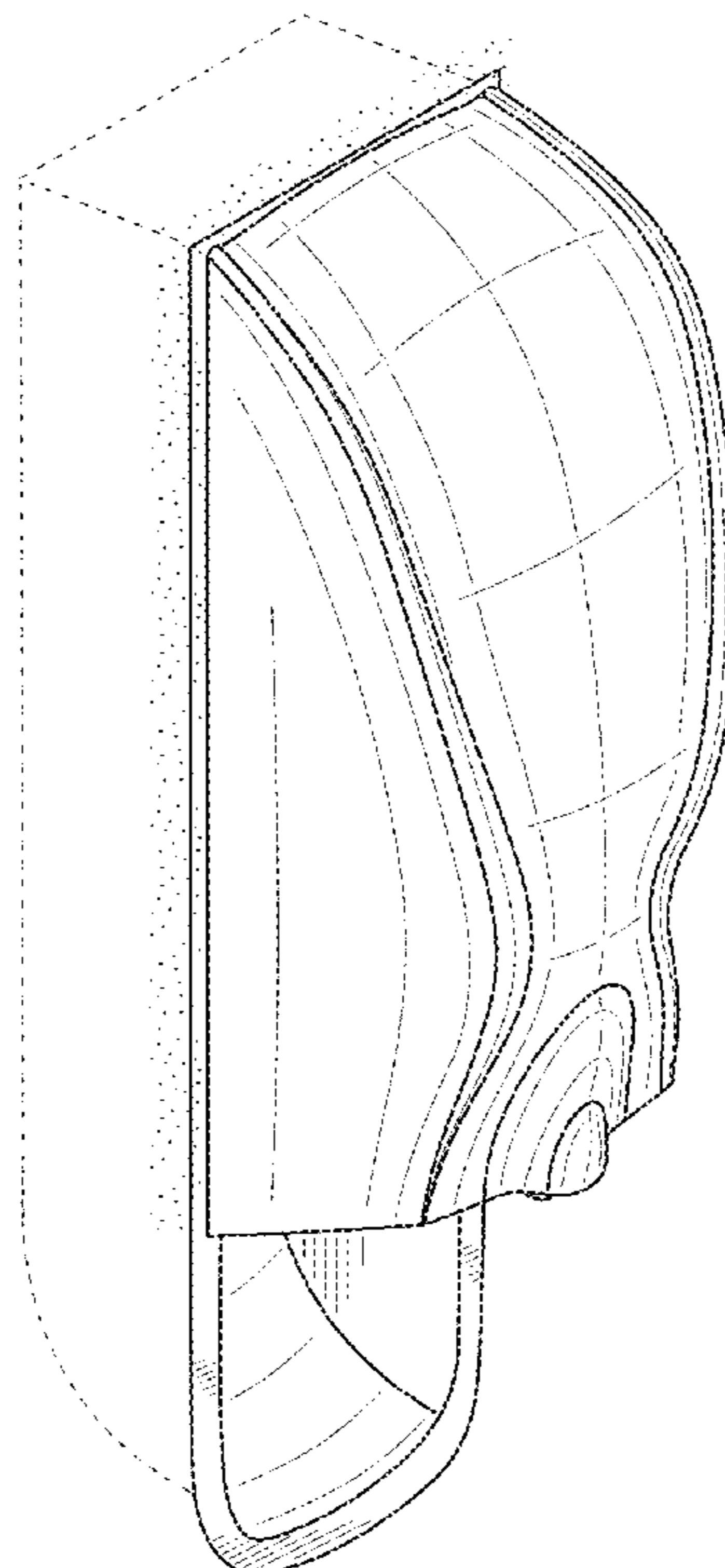
**DESCRIPTION**

FIG. 1 is a left side, top perspective view of the dispenser, showing my new design;  
FIG. 2 is a front elevational view thereof;  
FIG. 3 is a right side elevational view thereof, the left side being a mirror image thereof;  
FIG. 4 is a top view thereof; and,  
FIG. 5 is a bottom view thereof.

The broken-line disclosure represents portions of the article which form no part of the claimed design.

The stippling surrounding the dispenser at the back wall represents backlighting forming a halo around the dispenser.

**1 Claim, 5 Drawing Sheets**



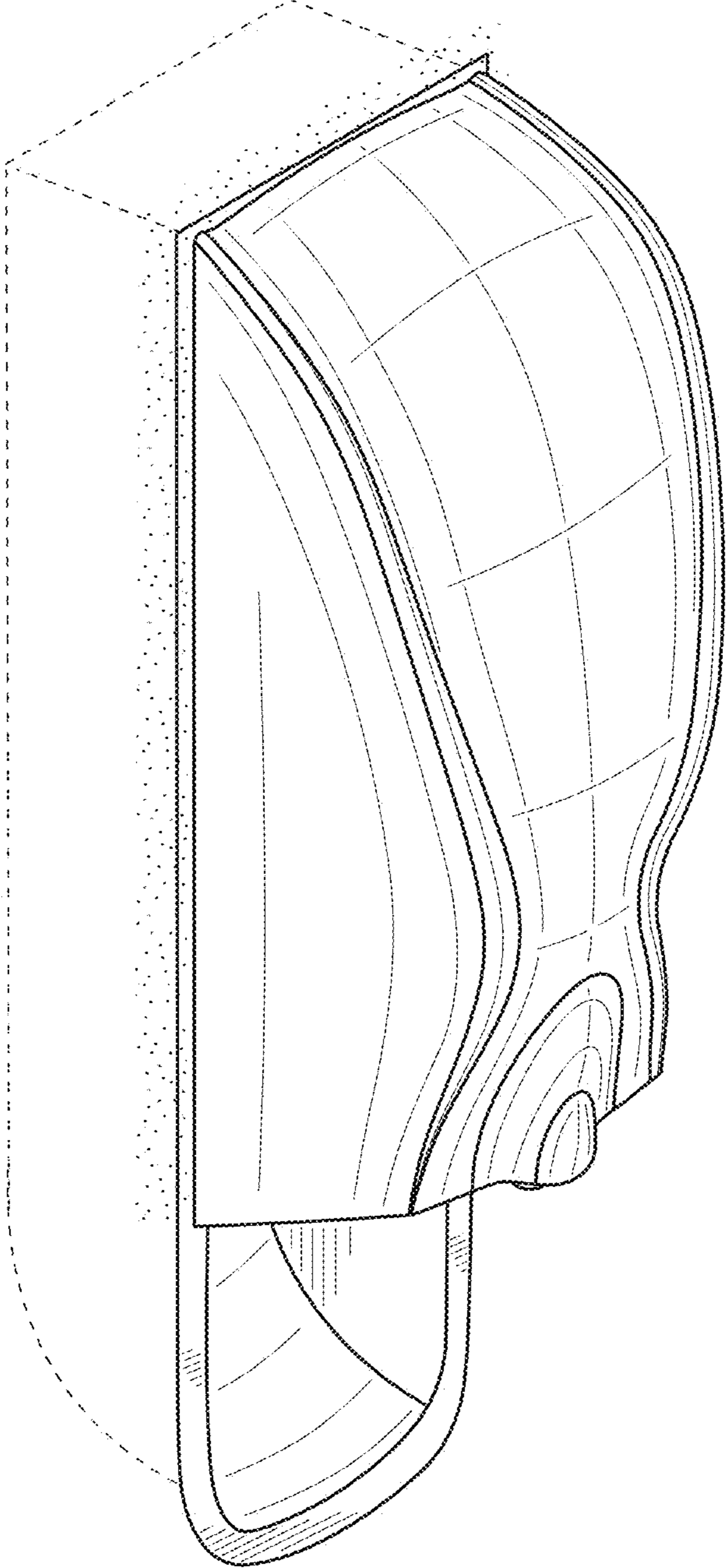


FIG. 1

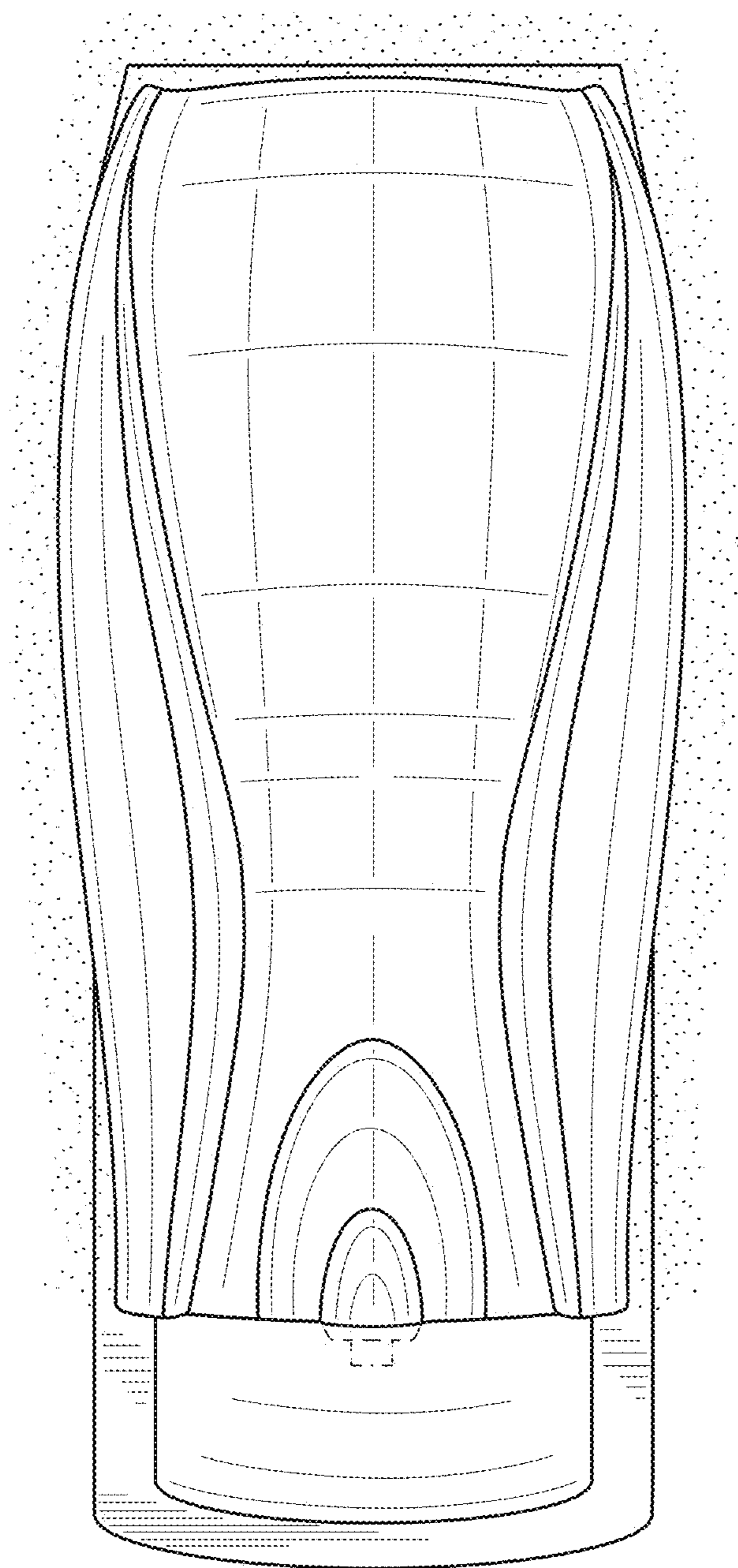


FIG. 2

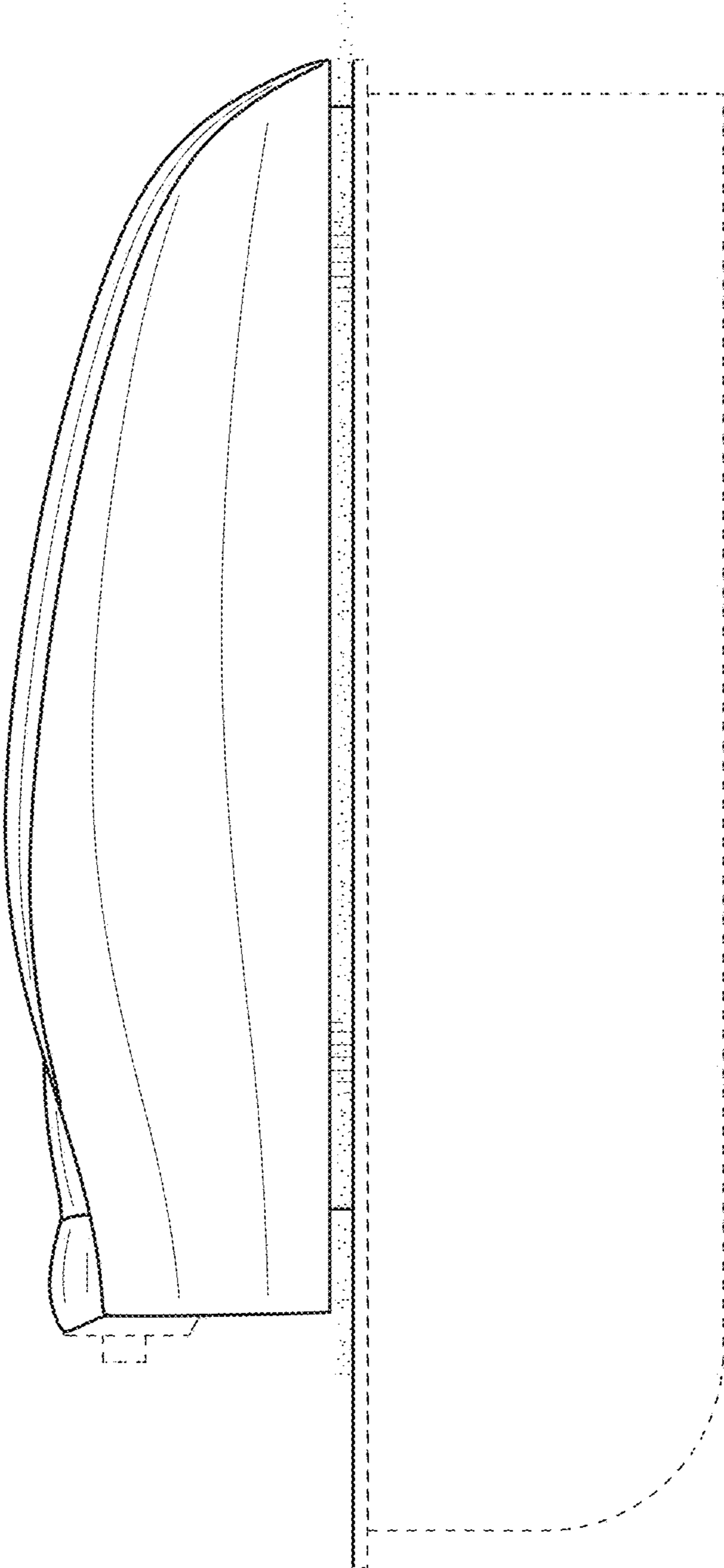


FIG. 3

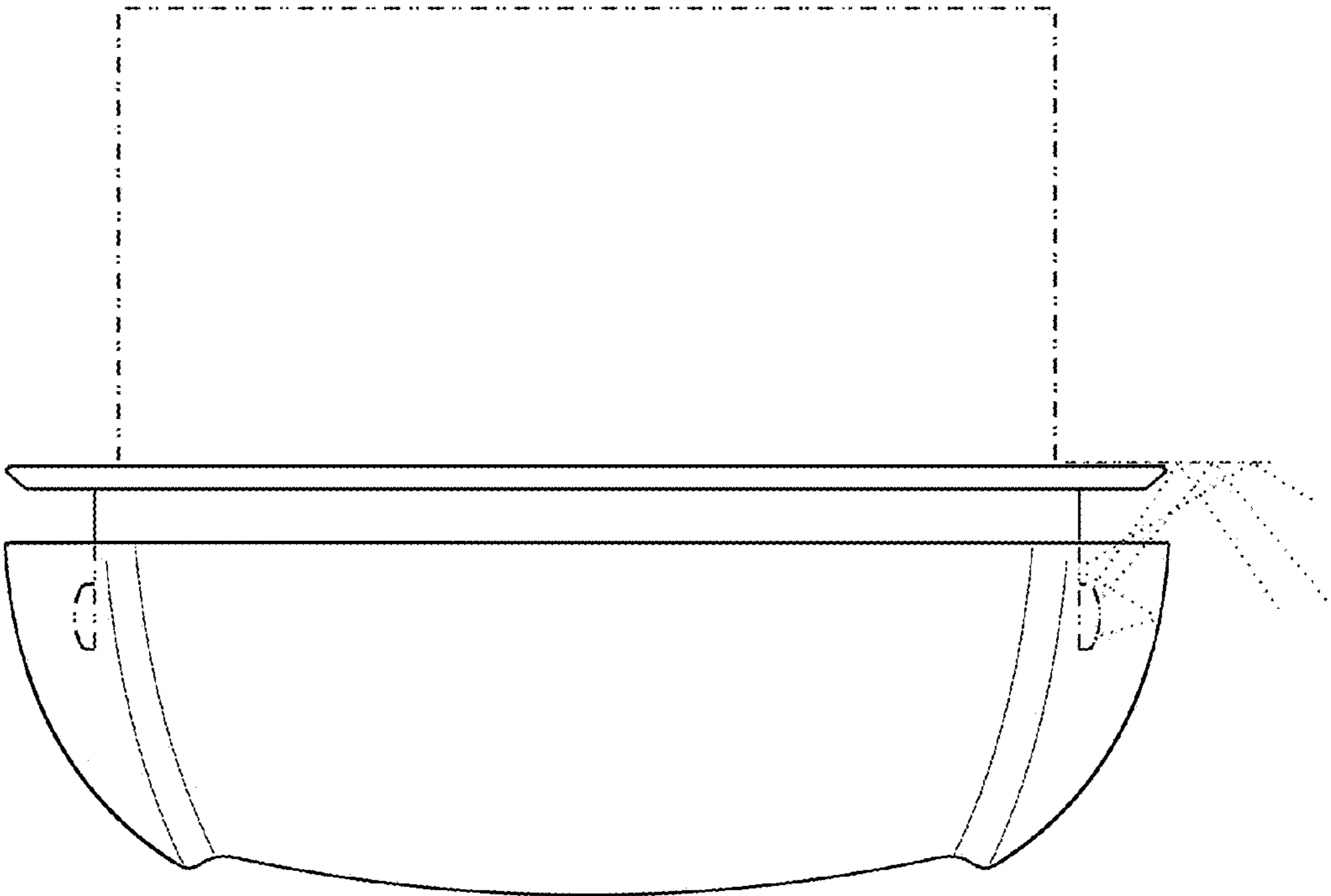


FIG. 4

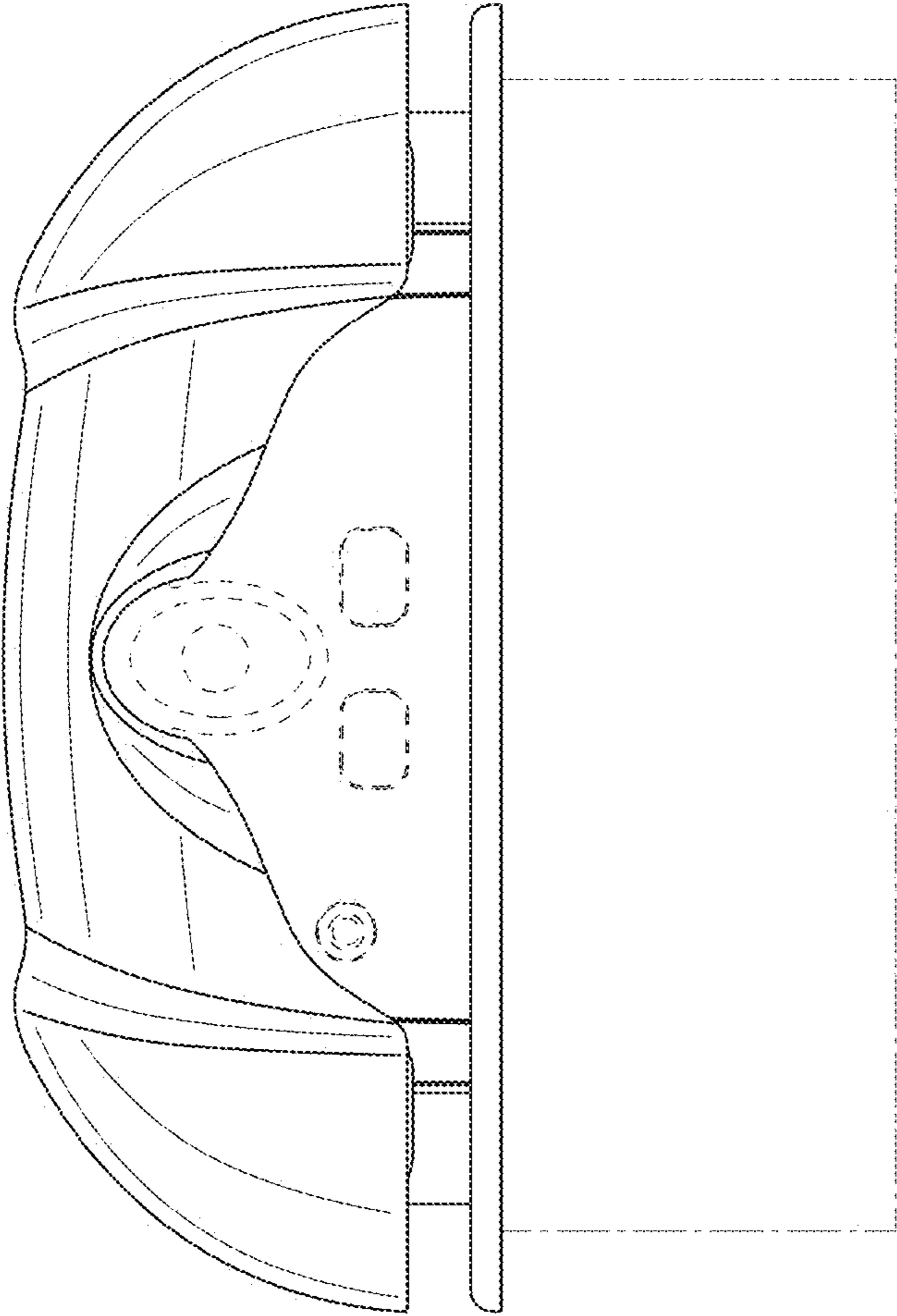


FIG. 5