



US00D707978S

(12) **United States Design Patent**  
**Ruiz et al.**

(10) **Patent No.:** **US D707,978 S**

(45) **Date of Patent:** **\*\* Jul. 1, 2014**

(54) **SHOE RACK**

(71) Applicant: **Whitmor, Inc.**, South Haven, MS (US)

(72) Inventors: **Milton D. Ruiz**, Germantown, TN (US);  
**Sandy Felsenthal**, Memphis, TN (US)

(73) Assignee: **Whitmor Inc.**, South Haven, MS (US)

(\*\*) Term: **14 Years**

(21) Appl. No.: **29/462,027**

(22) Filed: **Jul. 30, 2013**

(51) **LOC (10) Cl.** ..... **06-06**

(52) **U.S. Cl.**  
USPC ..... **D6/514; D6/320**

(58) **Field of Classification Search**  
USPC ..... D6/320, 514, 570, 548; 211/13.1,  
211/34-39, 114; 248/309.2  
See application file for complete search history.

(56) **References Cited**

U.S. PATENT DOCUMENTS

D139,415	S	*	11/1944	Brown	.....	D6/320
D287,550	S	*	1/1987	Tocci	.....	D6/320
D354,412	S	*	1/1995	Emery	.....	D6/548
D377,728	S	*	2/1997	Klein et al.	.....	D6/570
D382,434	S	*	8/1997	Klein et al.	.....	D6/570
D398,468	S	*	9/1998	Yemini	.....	D6/548
5,855,279	A	*	1/1999	Klein et al.	.....	211/113
D419,349	S	*	1/2000	Klein et al.	.....	D6/548
6,138,841	A	*	10/2000	Klein et al.	.....	211/113

D493,289	S	*	7/2004	Klein et al.	.....	D6/320
D507,137	S	*	7/2005	Klein et al.	.....	D6/514
D525,061	S	*	7/2006	Abdi et al.	.....	D6/514
D525,062	S	*	7/2006	Abdi et al.	.....	D6/514

\* cited by examiner

*Primary Examiner* — Brian N Vinson

(74) *Attorney, Agent, or Firm* — Husch Blackwell, LLP; H. Frederick Rusche

(57) **CLAIM**

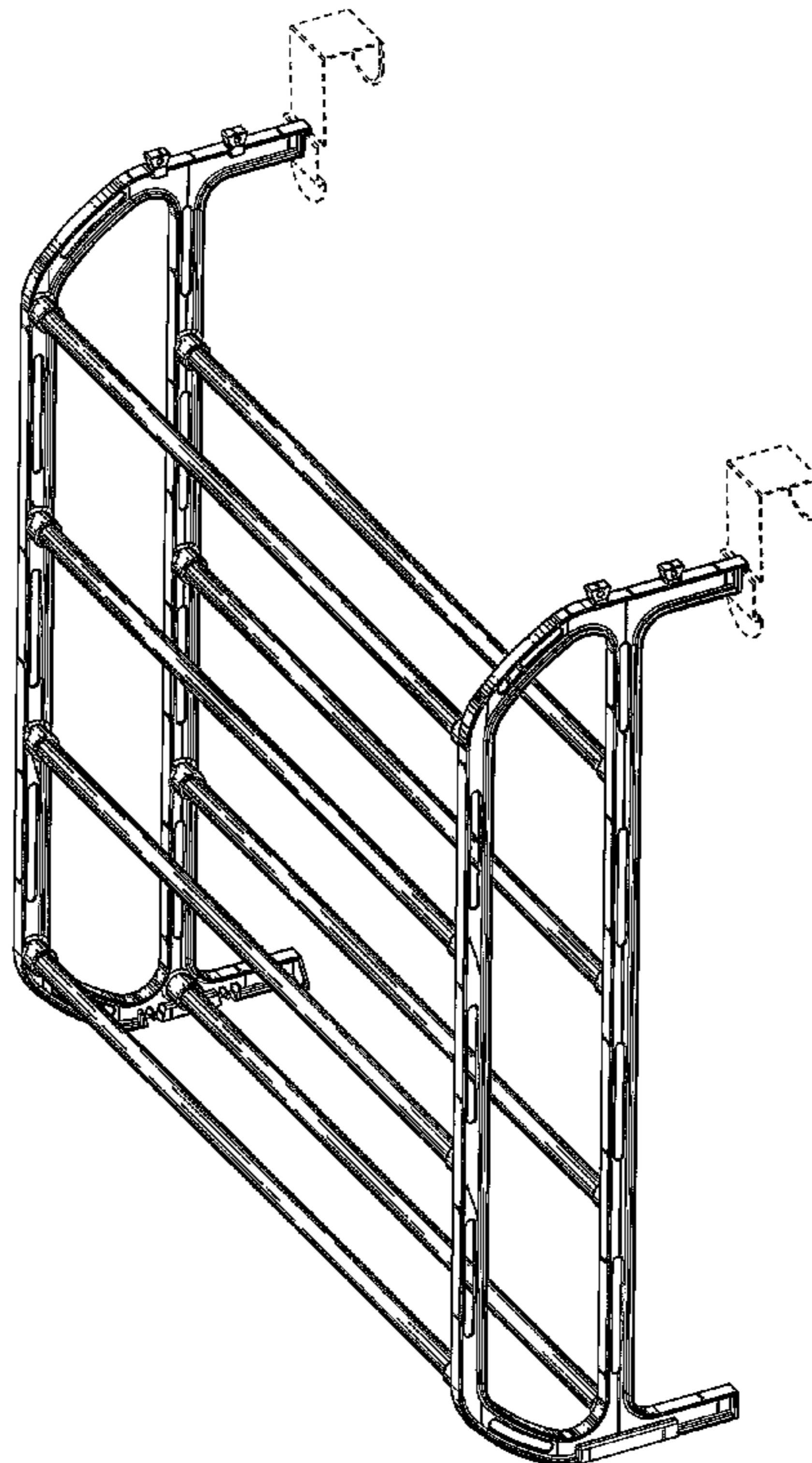
The ornamental design for a shoe rack, as shown and described.

**DESCRIPTION**

FIG. 1 is a top, front, and right side perspective view of a shoe rack showing our new design;  
FIG. 2 is a right side view thereof, the left side view being a mirror image of that shown;  
FIG. 3 is a top view thereof;  
FIG. 4 is a bottom view thereof;  
FIG. 5 is a front view thereof;  
FIG. 6 is a rear view thereof; and,  
FIG. 7 is a reduced top, front, and right side perspective view thereof.

The broken-line disclosure of door mounting means, door fragment, and second shoe rack are for illustrative purposes only and form no part of the claimed design.

**1 Claim, 7 Drawing Sheets**



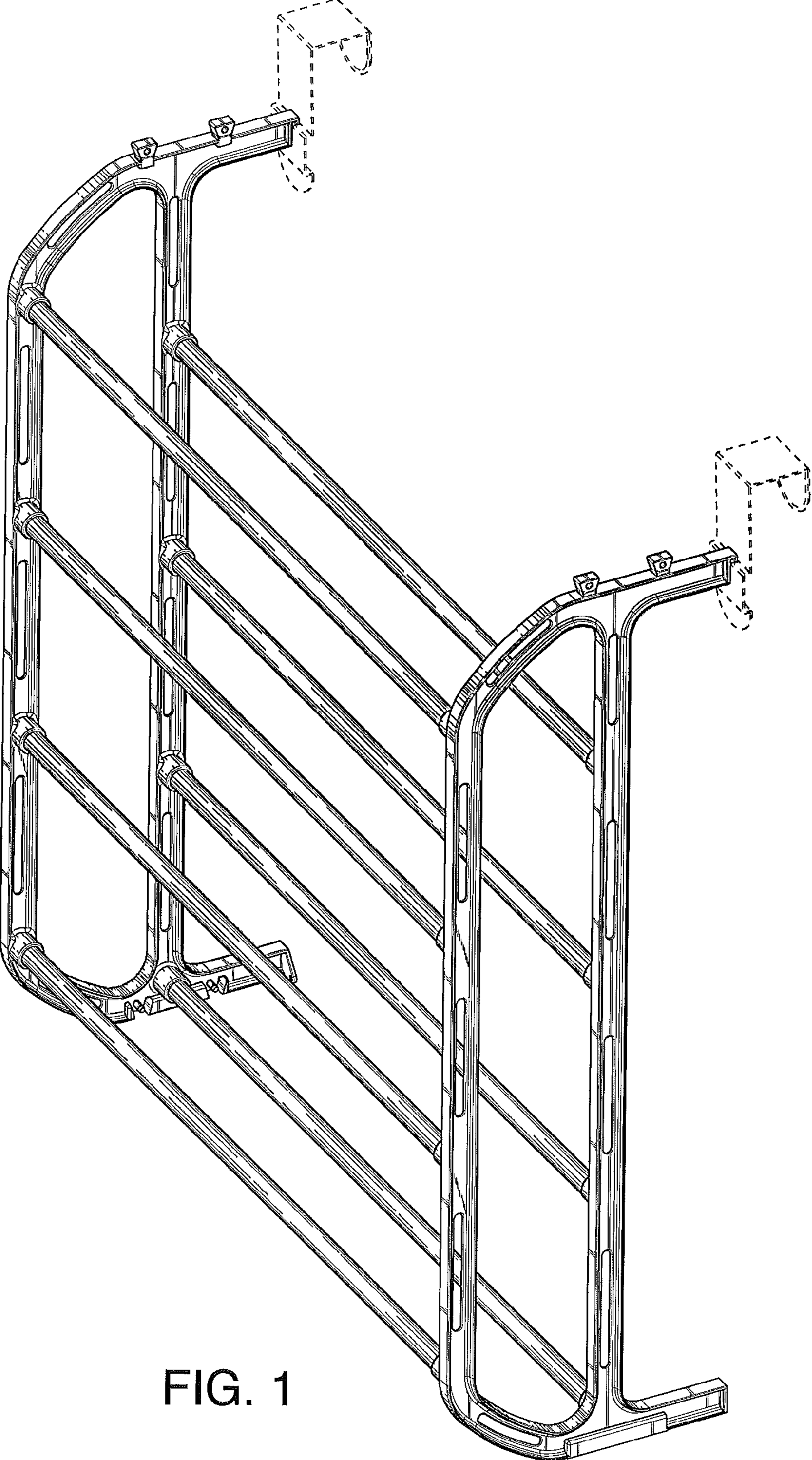


FIG. 1

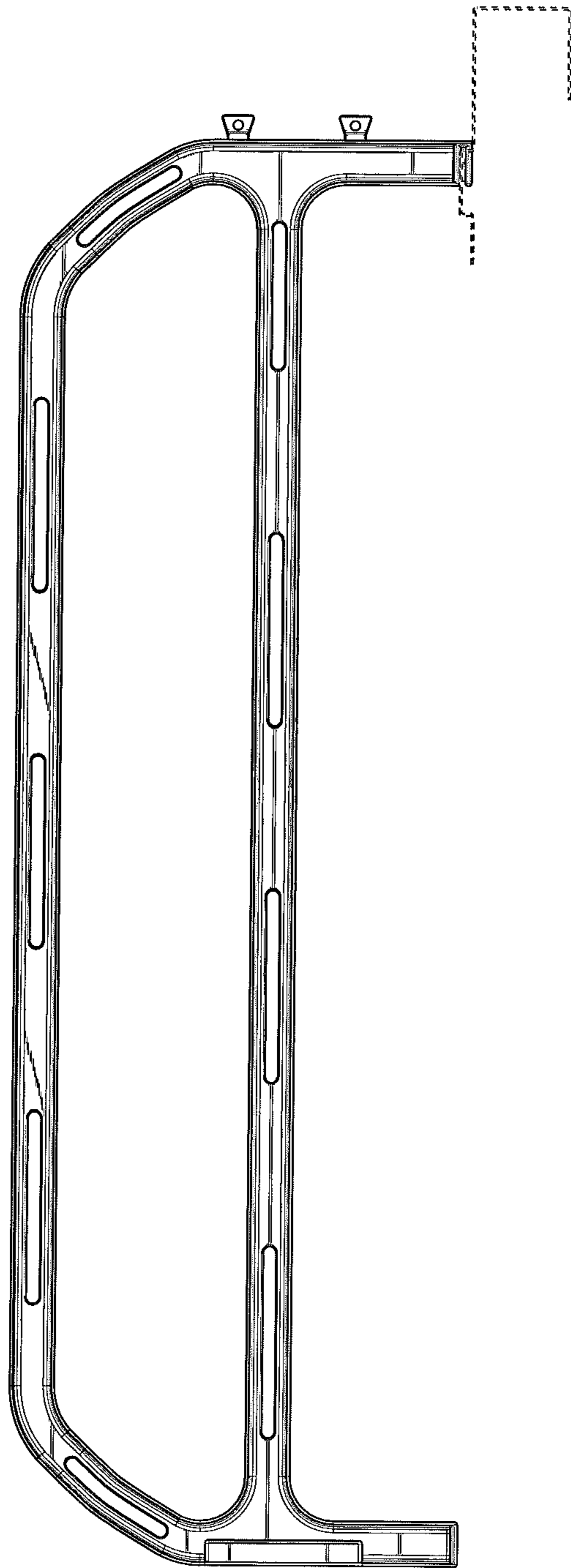


FIG. 2

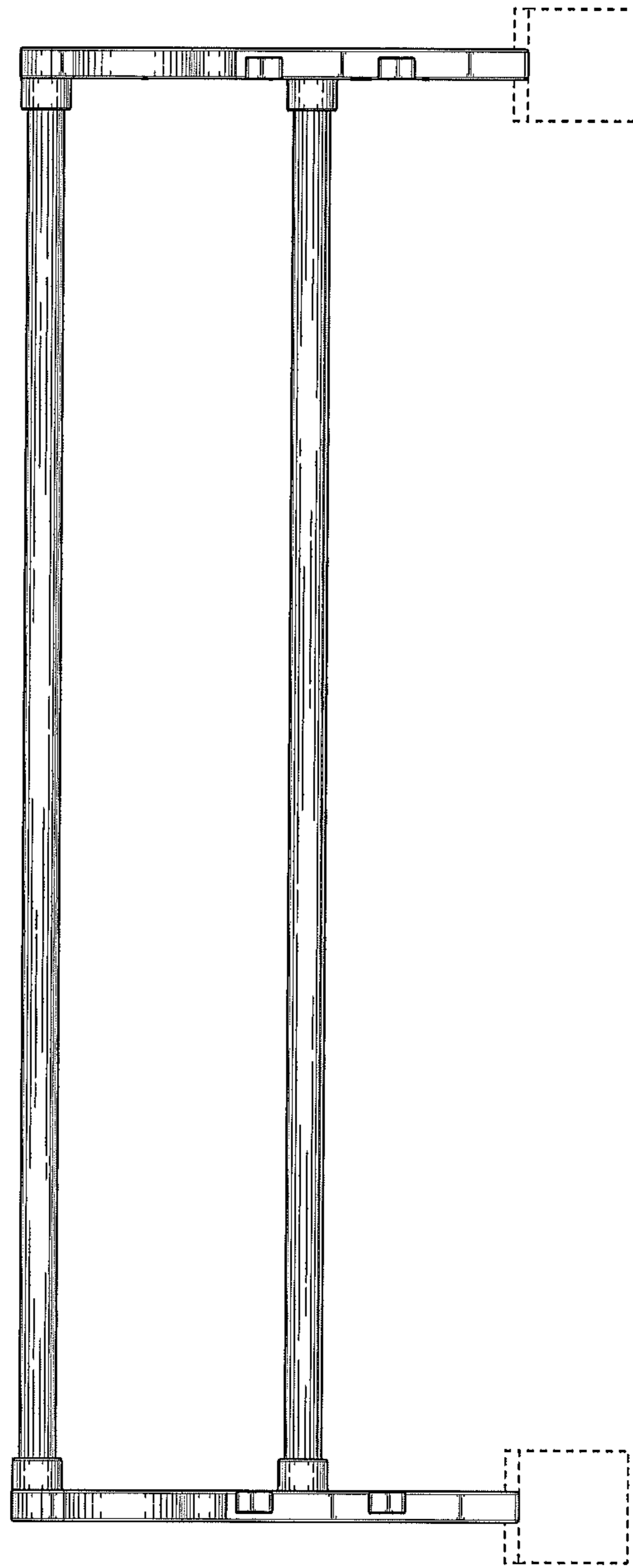


FIG. 3

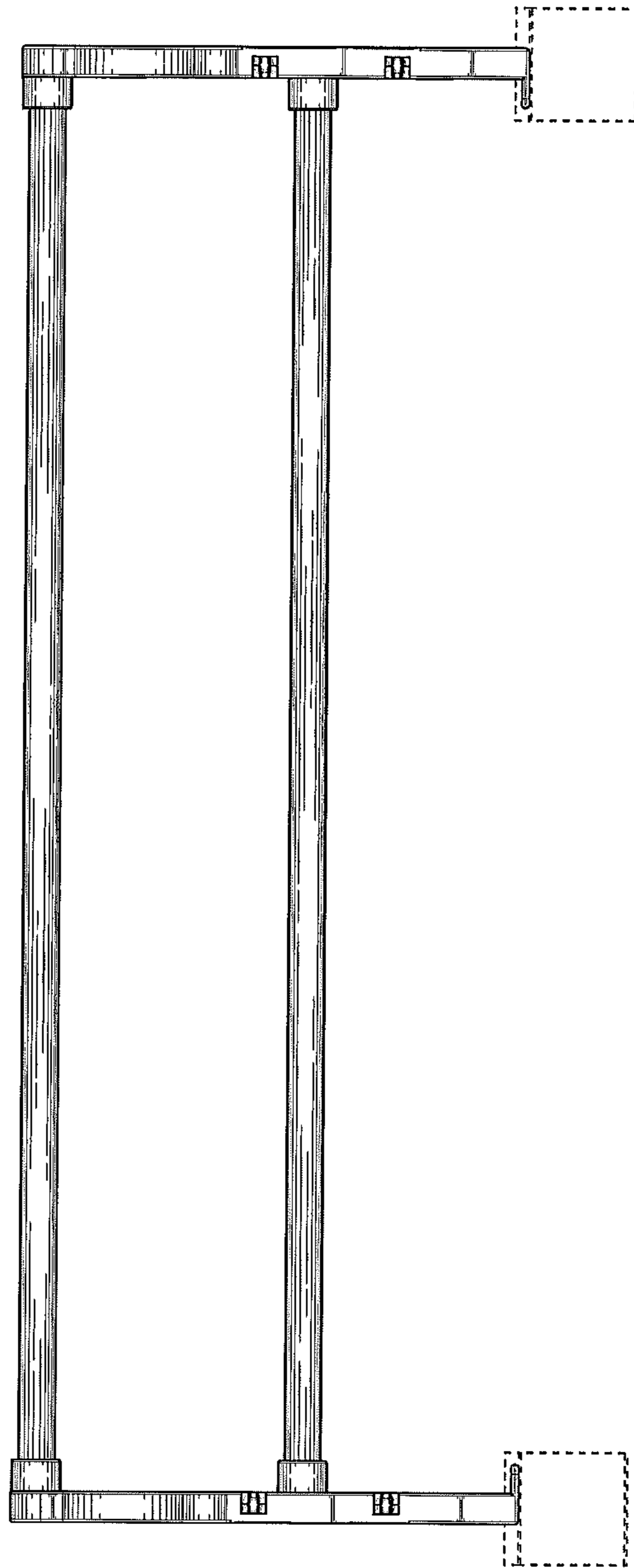


FIG. 4

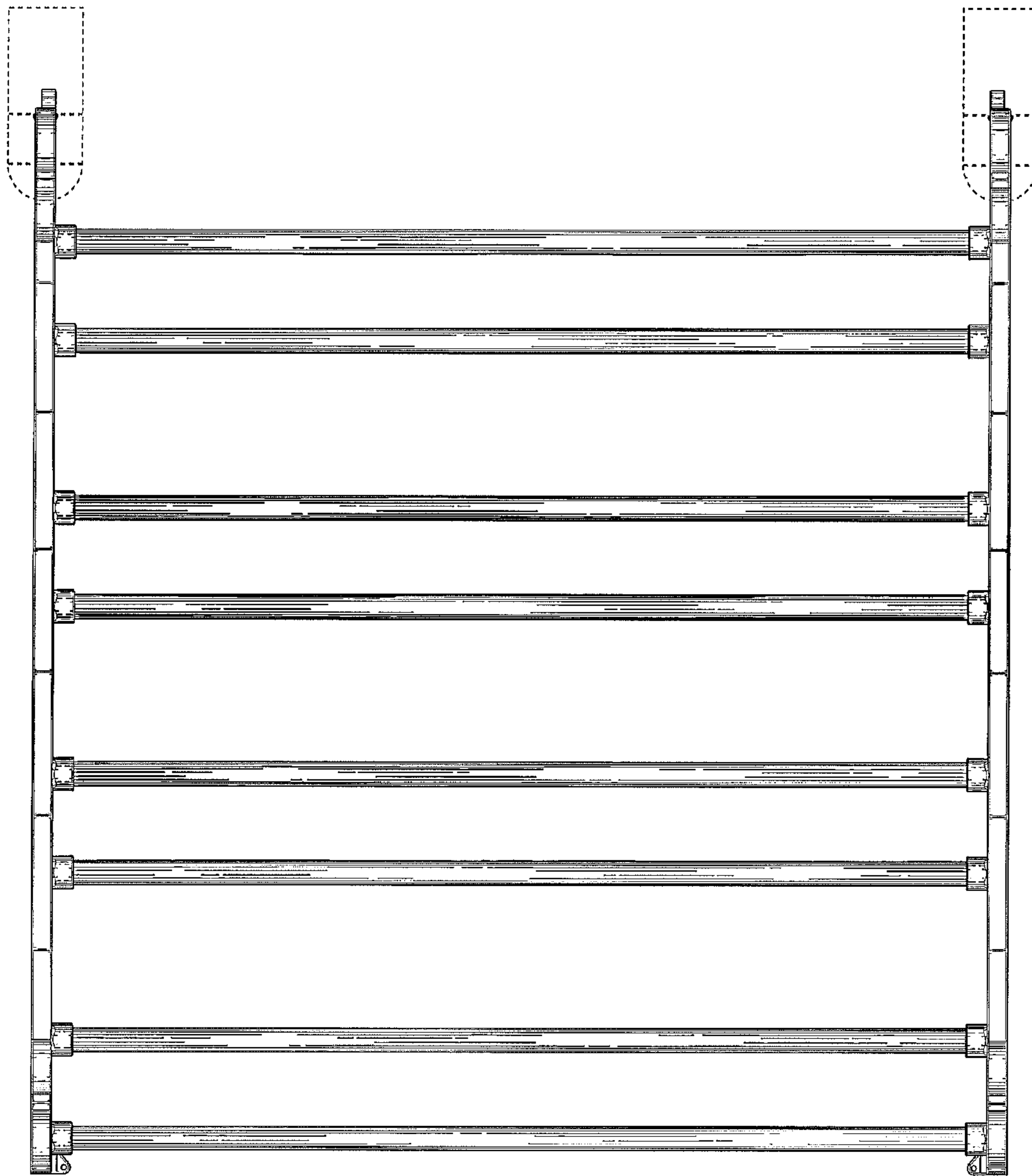


FIG. 5

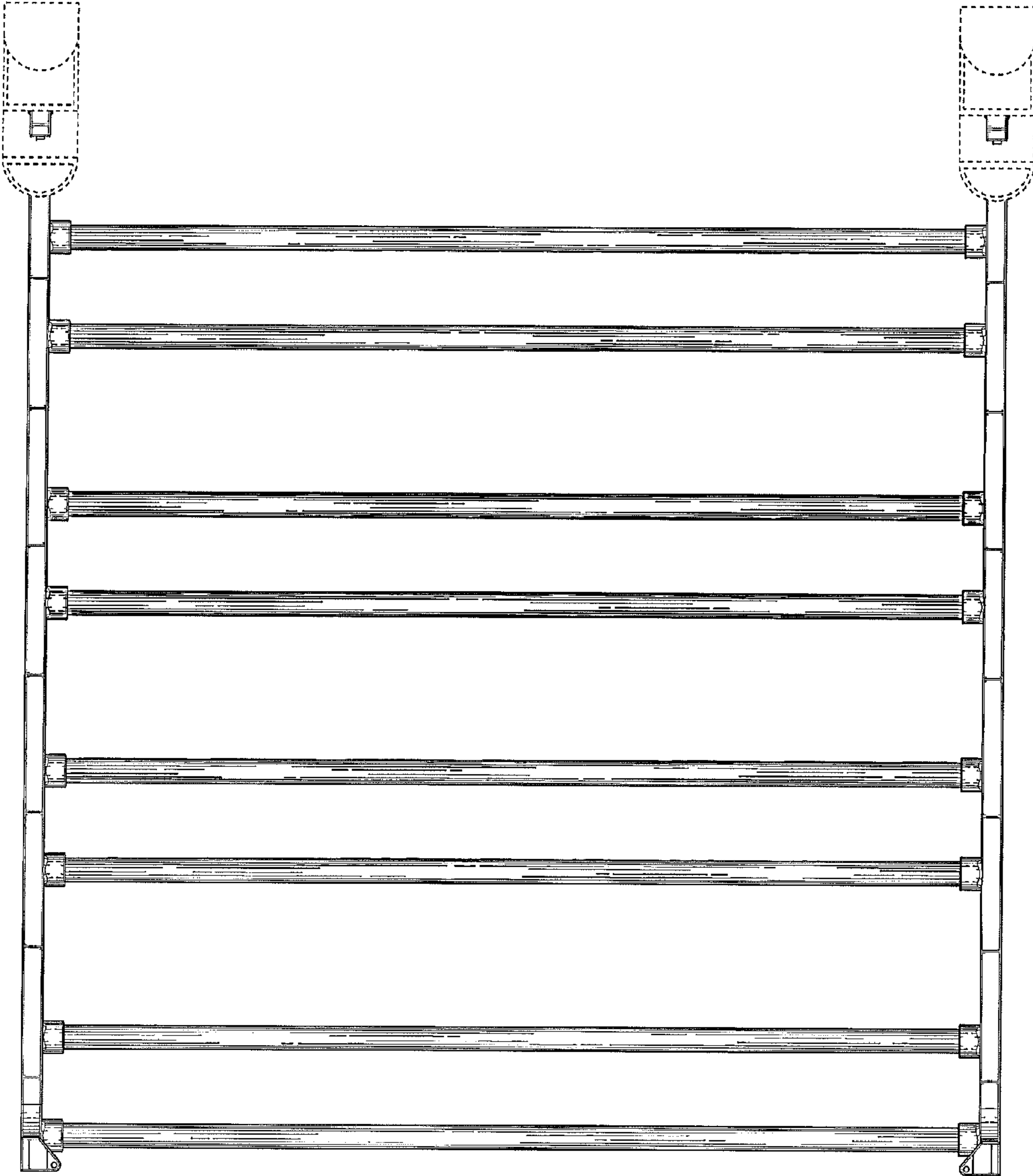


FIG. 6

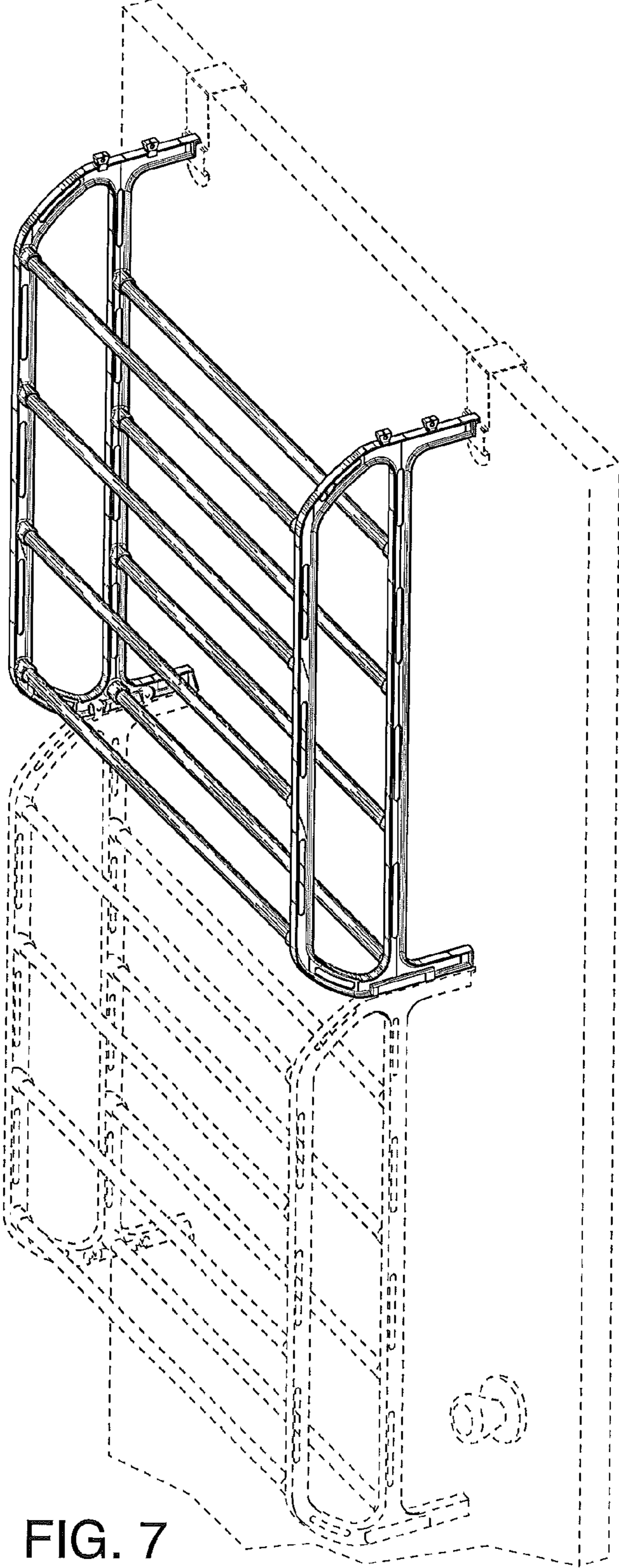


FIG. 7