

US00D707975S

(12) **United States Design Patent**
Habraken

(10) **Patent No.:** **US D707,975 S**
(45) **Date of Patent:** **** Jul. 1, 2014**

(54) **FOLDABLE STOOL**

(71) Applicant: **Jan Habraken**, New York, NY (US)
(72) Inventor: **Jan Habraken**, New York, NY (US)
(73) Assignee: **Kikkerland Design, Inc.**, New York, NY (US)
(**) Term: **14 Years**
(21) Appl. No.: **29/443,294**

(22) Filed: **Jan. 15, 2013**
(51) **LOC (10) Cl.** **06-01**
(52) **U.S. Cl.**
USPC **D6/353**
(58) **Field of Classification Search**
CPC A47C 1/14; A47C 3/16-3/20; A47C 4/00;
A47C 4/28; A47C 5/02; A47C 7/02; A47C
9/00; A47C 9/02; A47C 9/002; A47C 9/007;
A47C 9/025; A47C 11/00; A47C 12/00;
A47C 13/00; A47C 16/02
USPC D6/335, 344, 347, 349-355, 358, 360,
D6/363-365, 367-370, 685, 687, 688, 690,
D6/691-691.6, 692, 694, 716-716.7
See application file for complete search history.

(56) **References Cited**

U.S. PATENT DOCUMENTS

1,811,674	A *	6/1931	Longley	108/171
4,383,488	A	5/1983	Macho et al.	
4,630,861	A	12/1986	Henschel	
D460,566	S	7/2002	Henschel et al.	
D554,875	S *	11/2007	Emert	D6/353

(Continued)

OTHER PUBLICATIONS

Rhino II Step Stool + White. [online] Retrieved May 1, 2014 from URL: <<https://www.kikkerland.com/products/rhino-ii-step-stool+-white/>>.*

(Continued)

Primary Examiner — Susan Bennett Hattan
Assistant Examiner — Vy Koenig
(74) *Attorney, Agent, or Firm* — Cascio & Zervas

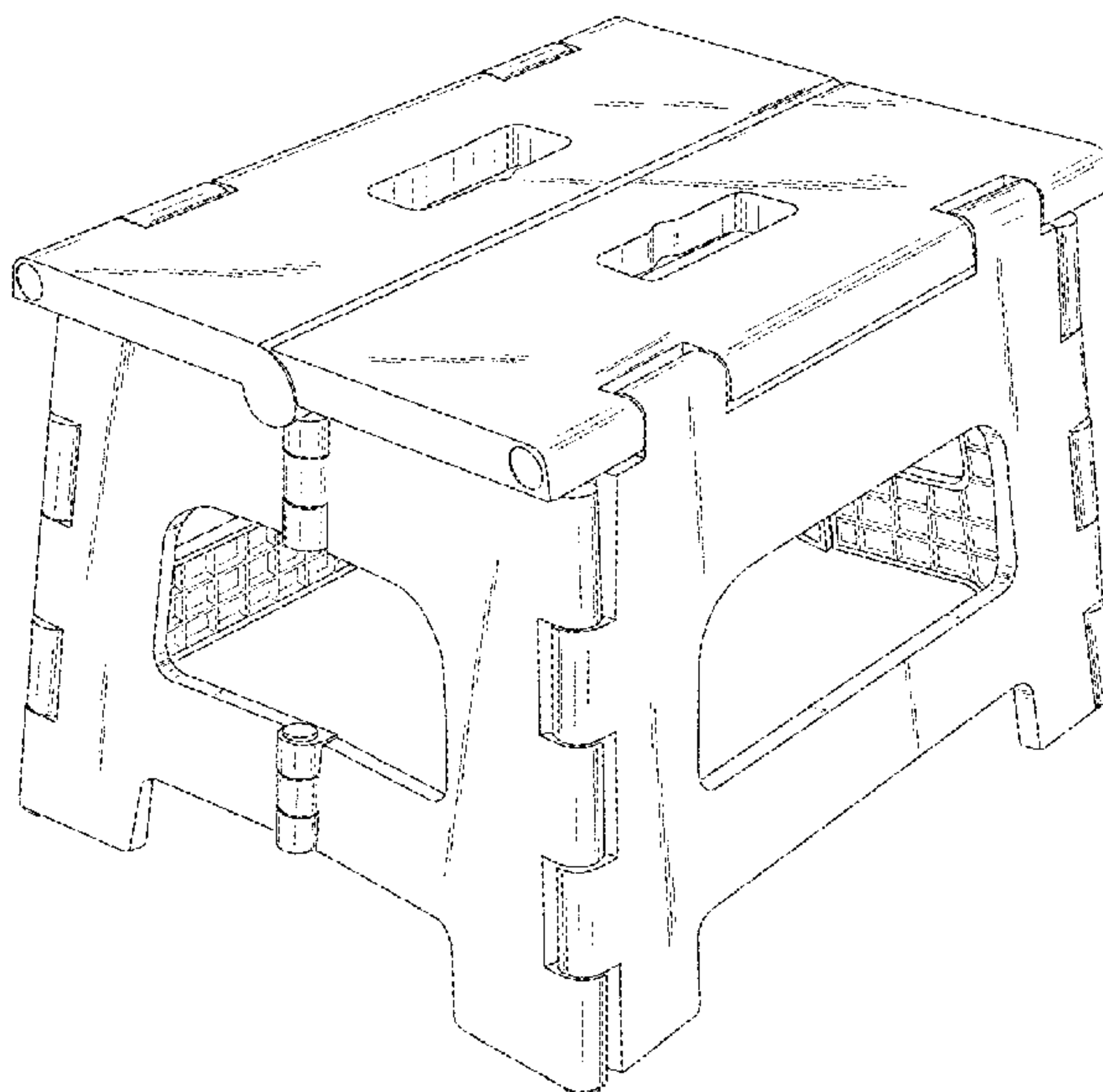
(57) **CLAIM**

The ornamental design for a foldable stool, as shown and described.

DESCRIPTION

FIG. 1 is a front elevational view of the foldable stool in an open position showing my design;
FIG. 2 is a rear elevational view in an open position;
FIG. 3 is a right side elevational view an open position;
FIG. 4 is a left side elevational view an open position;
FIG. 5 is a top plan view in an open position;
FIG. 6 is a bottom plan view in an open position;
FIG. 7 is a front perspective view in an open position;
FIG. 8 is a top plan view in a folded position;
FIG. 9 is a bottom plan view in a folded position;
FIG. 10 is a left side elevational view in a folded position;
FIG. 11 is a right side elevational view in a folded position;
FIG. 12 is a front elevational view in a folded position;
FIG. 13 is a rear elevational view in a folded position; and,
FIG. 14 is a front perspective view in a folded position.

1 Claim, 6 Drawing Sheets



(56)

References Cited

U.S. PATENT DOCUMENTS

D566,856 S 4/2008 Eveleth
D577,833 S * 9/2008 Eveleth D25/65
D579,680 S * 11/2008 Emert D6/353
D582,168 S * 12/2008 Sandel D6/349
D586,572 S * 2/2009 Collette D6/349
D586,923 S * 2/2009 Eveleth D25/65
D609,927 S * 2/2010 Floer D6/350
D632,101 S * 2/2011 Sandel et al. D6/349
D639,080 S 6/2011 Van Der Lande

D644,032 S * 8/2011 Eveleth D6/353
D665,180 S * 8/2012 Ekelchik D6/353
D668,070 S * 10/2012 Kim D6/353

OTHER PUBLICATIONS

Easy Reach by Gorilla Ladders Plastic 1-Step Folding Stool
(4-Pack). [online] Retrieved May 1, 2014 from URL: <http://www.homedepot.com/p/t/203710760?storeId=10051&langId=-1&catalogId=10053&ci_src=344702680%E2%80%A6>.*

* cited by examiner

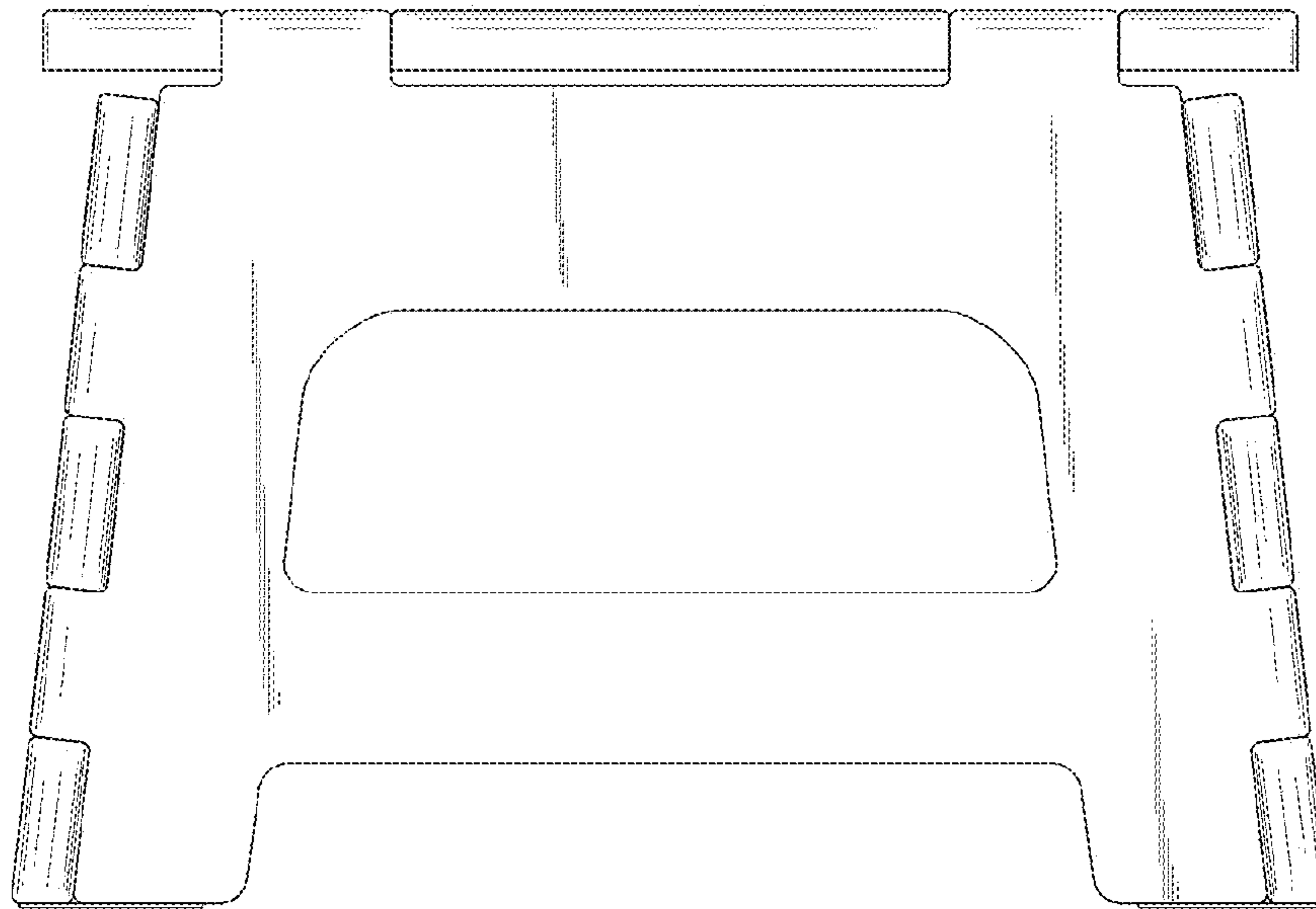


FIG. 1

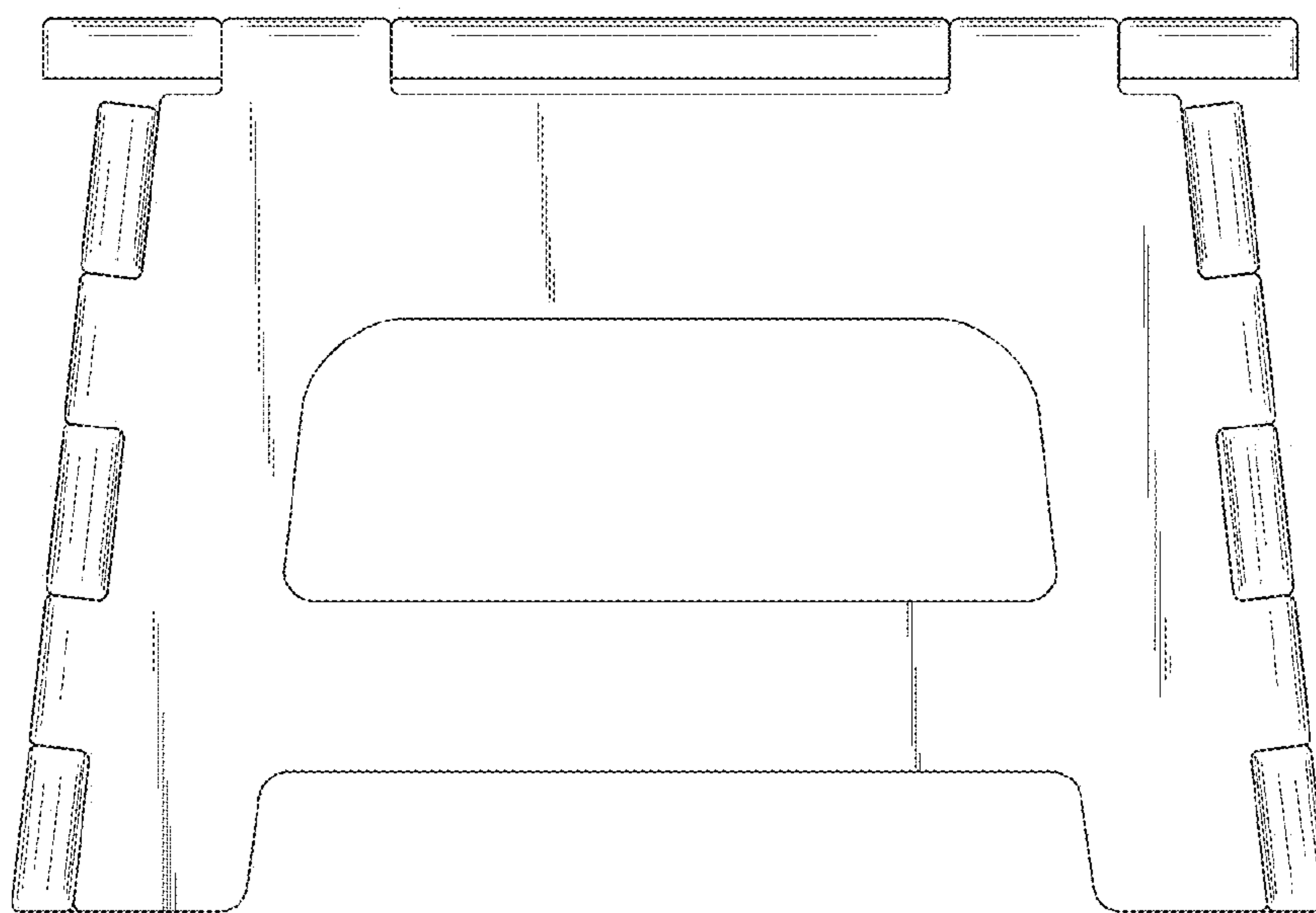


FIG. 2

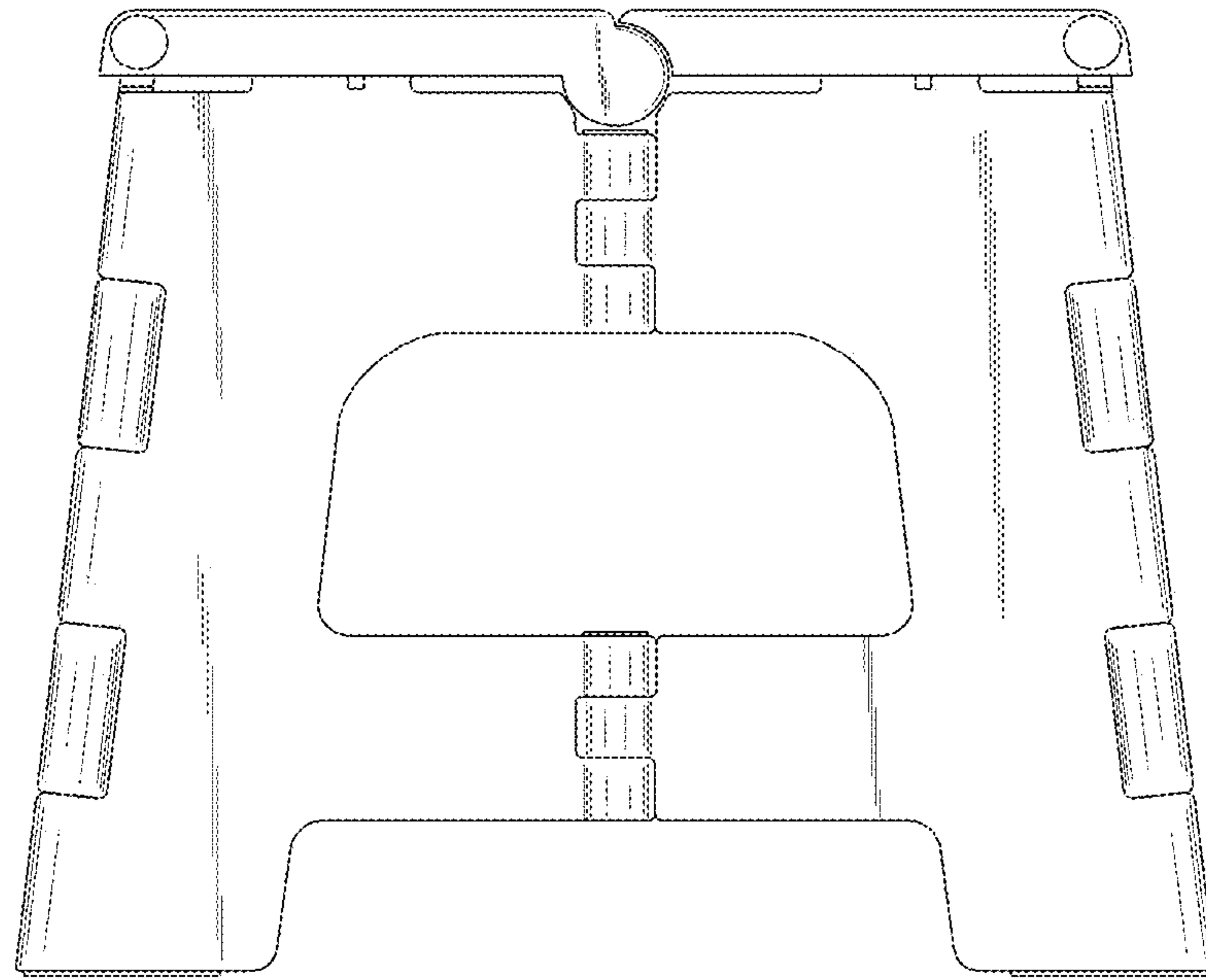


FIG. 3

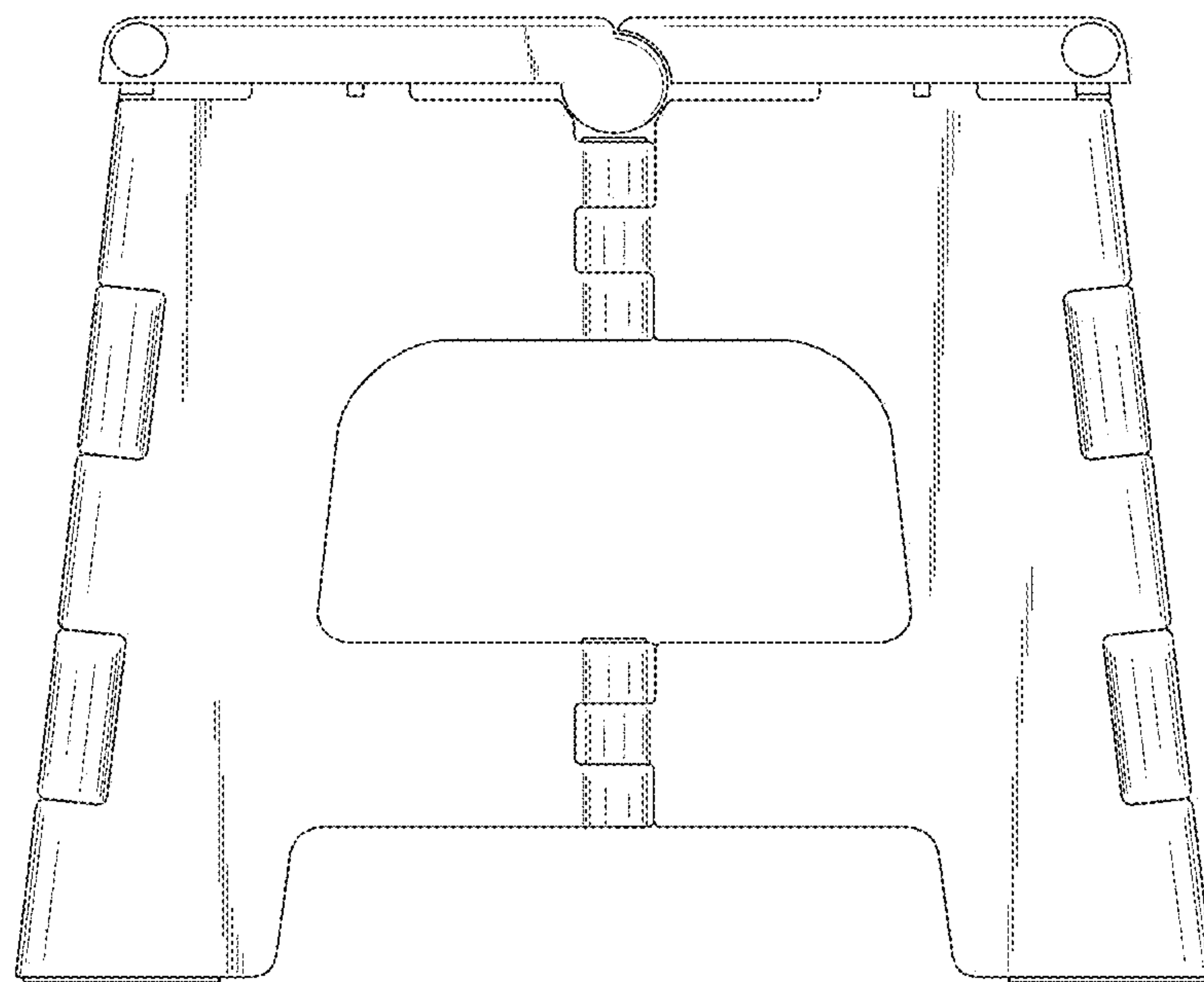


FIG. 4

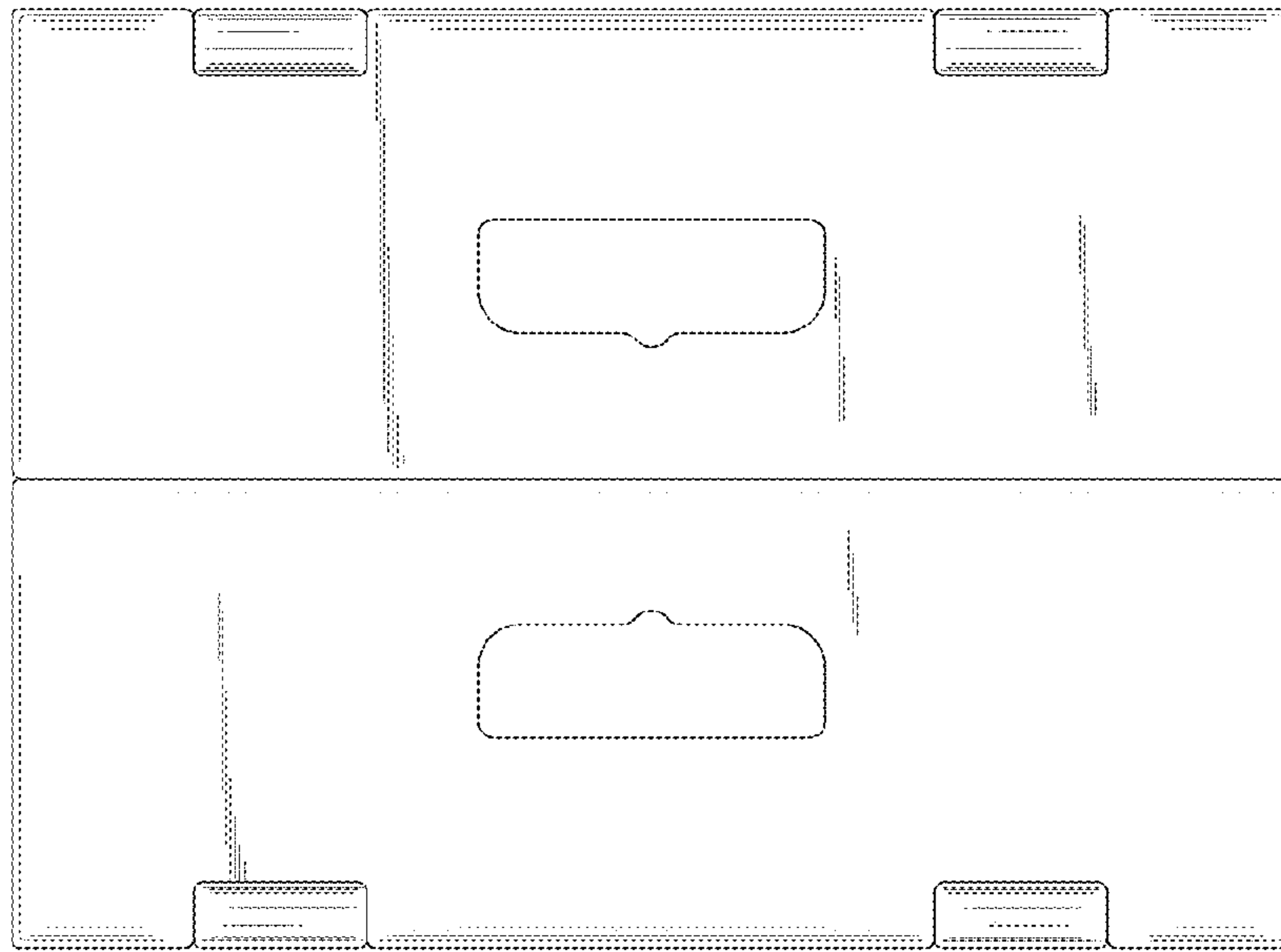


FIG. 5

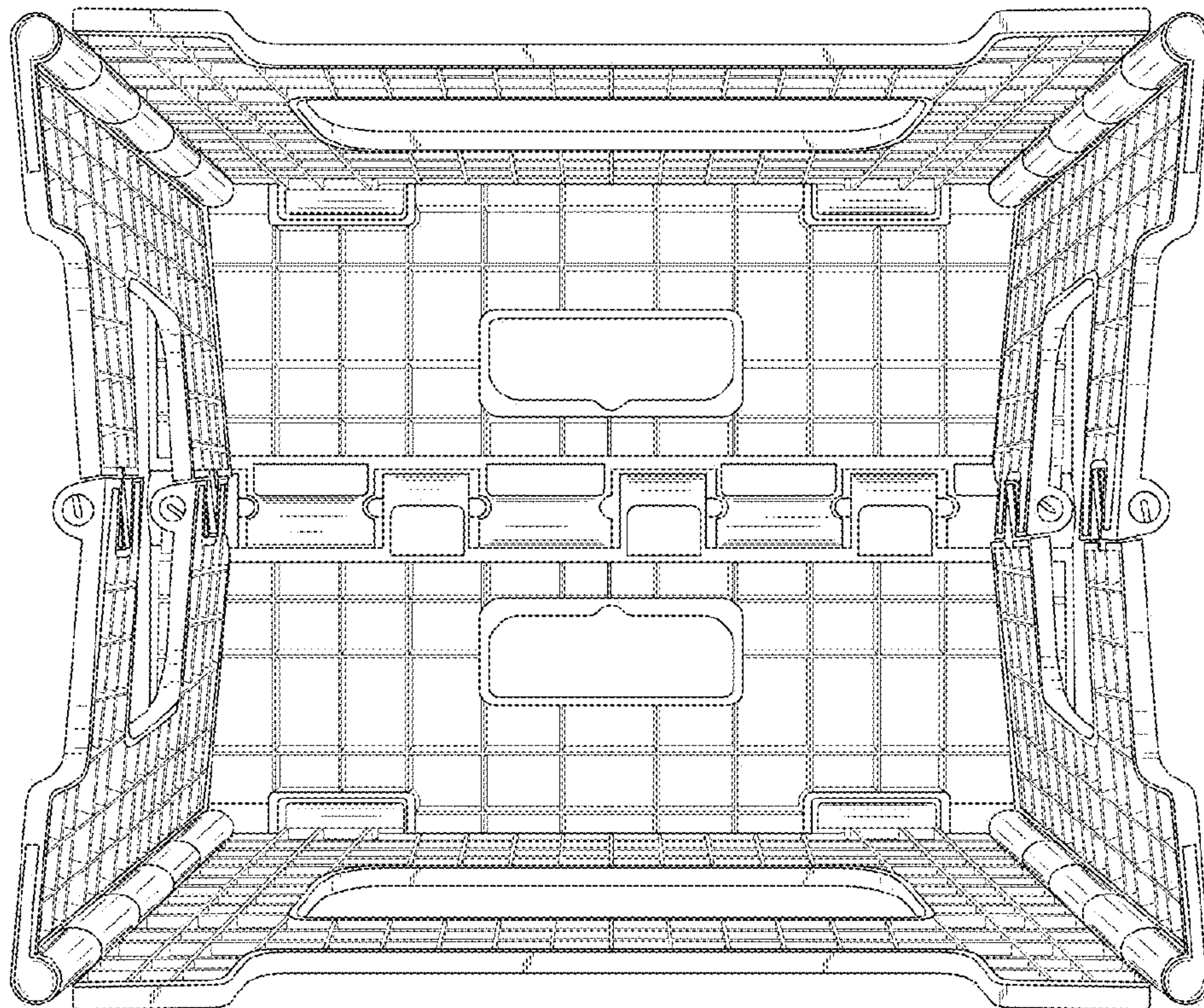


FIG. 6

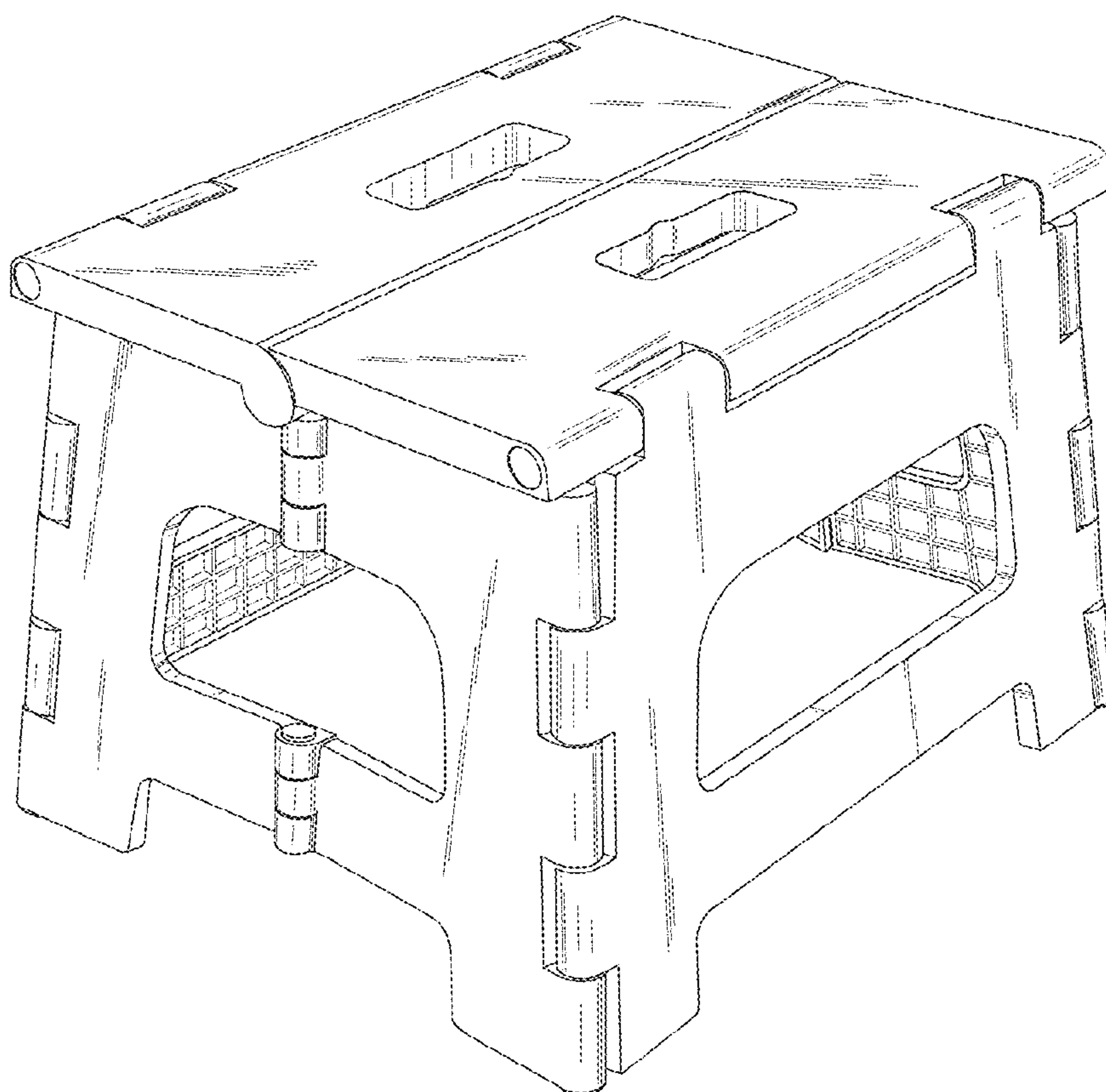


FIG. 7

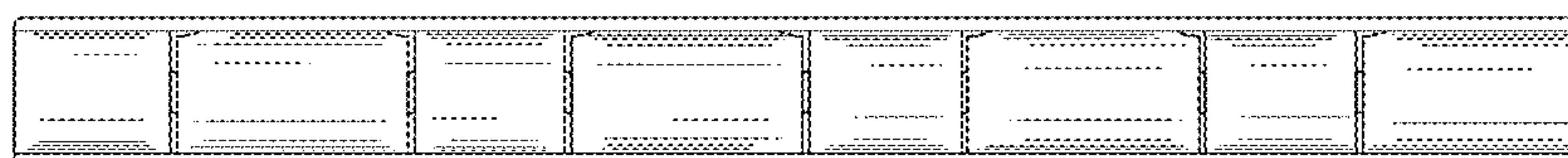


FIG. 8

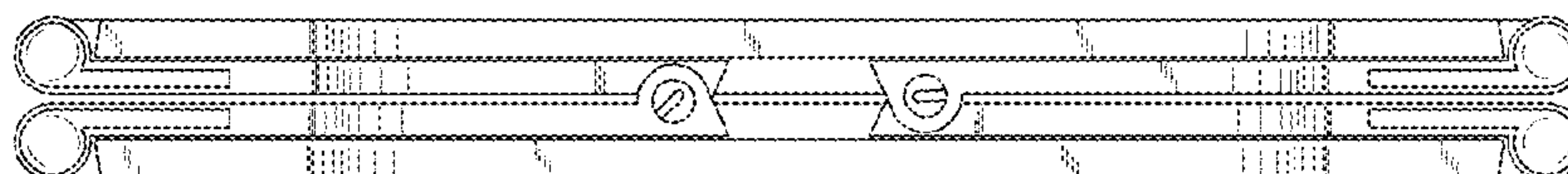


FIG. 9

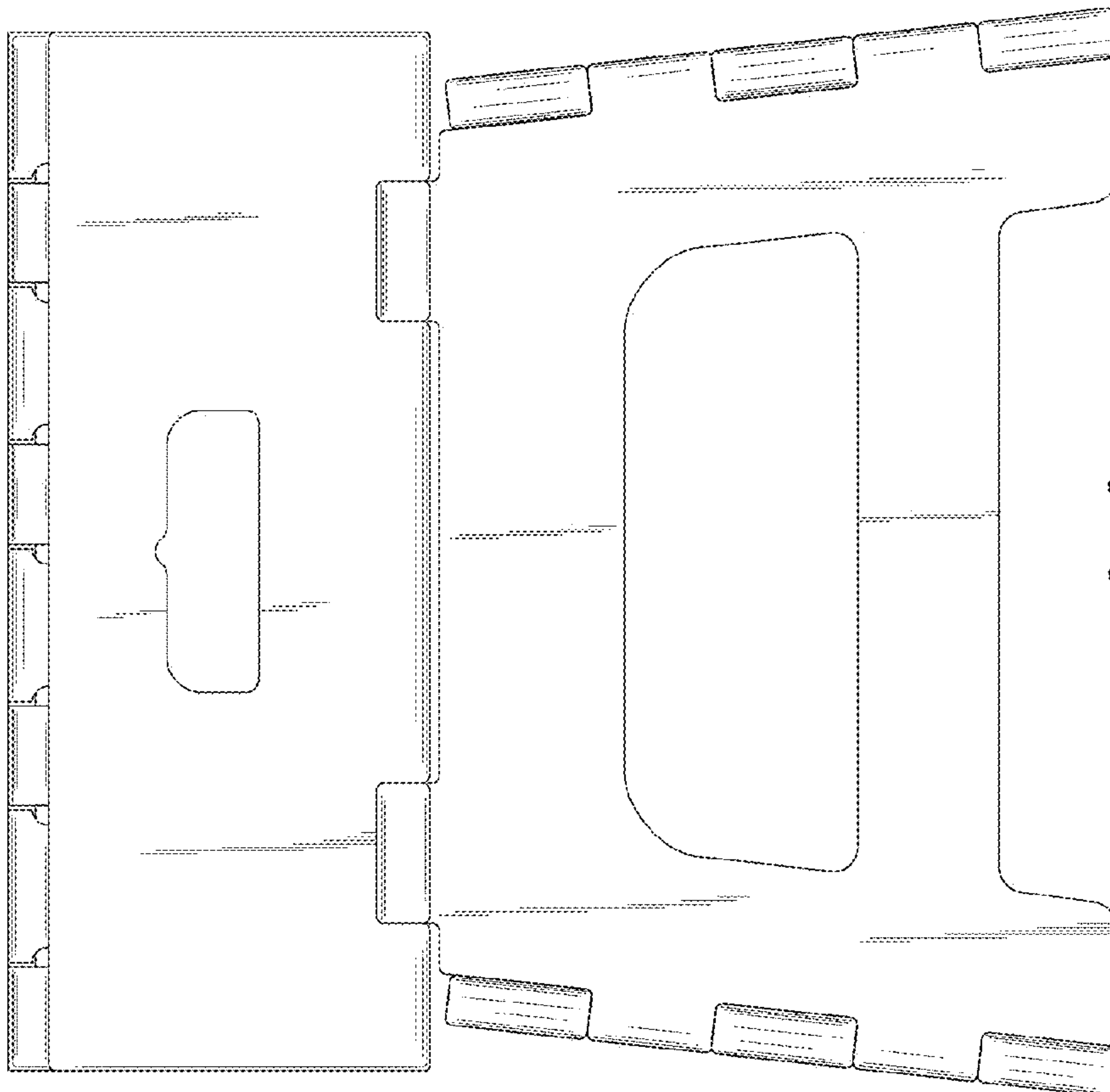


FIG. 12

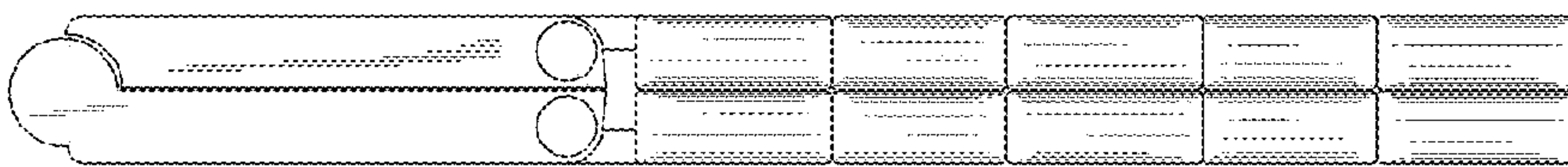


FIG. 11

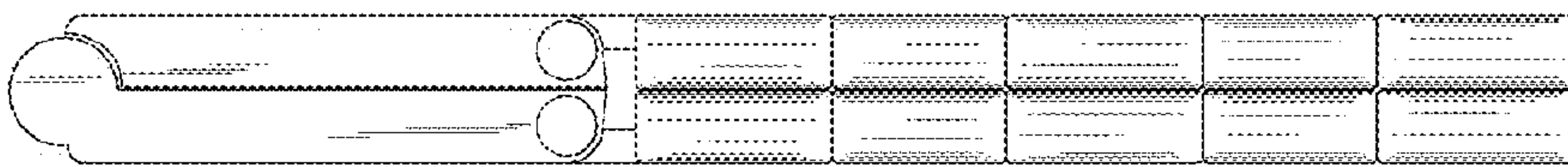


FIG. 10

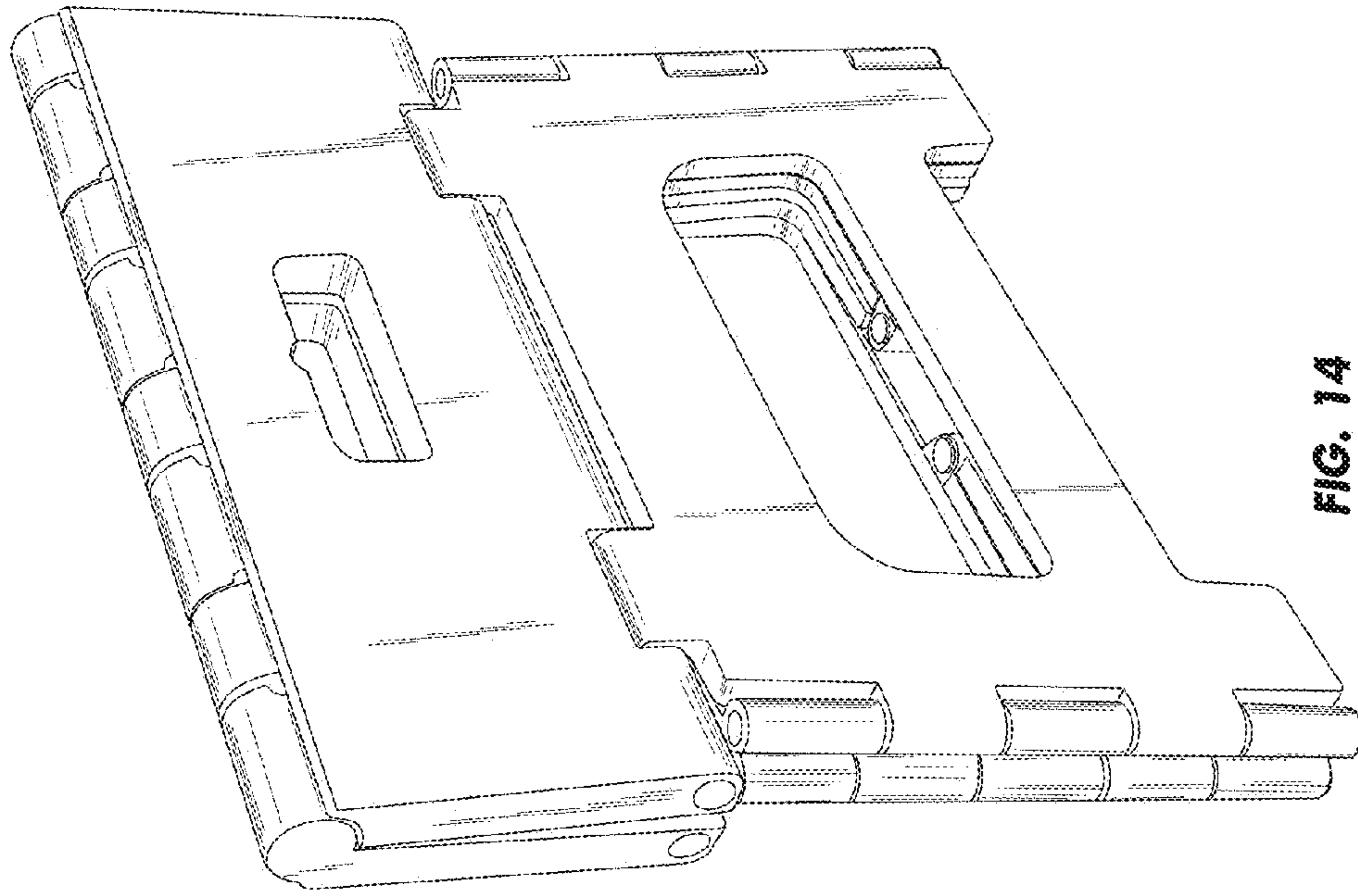


FIG. 14

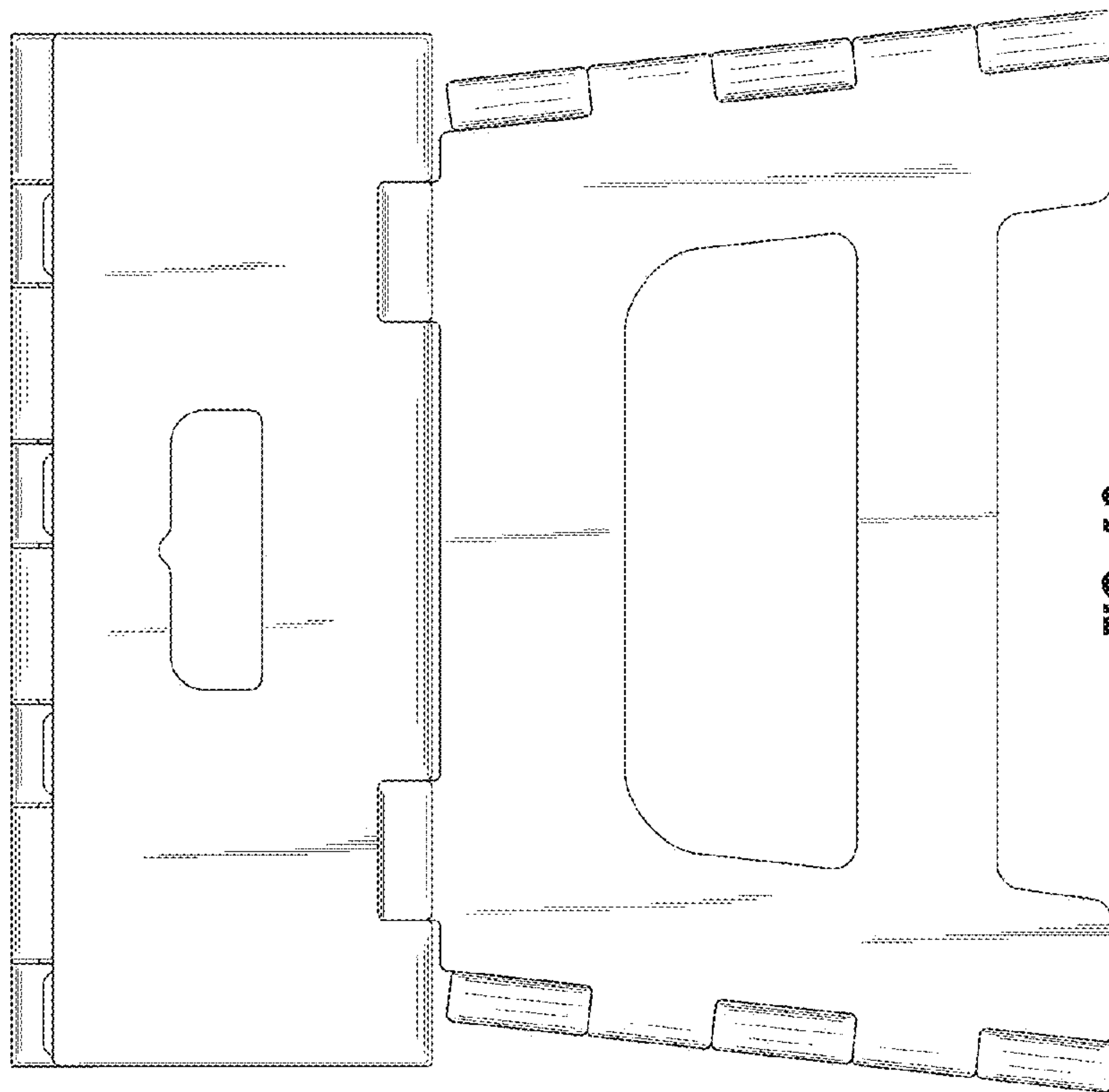


FIG. 13