



US00D707966S

(12) **United States Design Patent**
Settelmayer

(10) **Patent No.:** **US D707,966 S**

(45) **Date of Patent:** **** Jul. 1, 2014**

- (54) **ROLLING STORAGE CASE**
- (71) Applicant: **Thule Sweden AB**, Hillerstorp (SE)
- (72) Inventor: **Joseph John Settelmayer**,
McKinleyville, CA (US)
- (73) Assignee: **Thule Sweden AB**, Hillerstorp (SE)
- (**) Term: **14 Years**
- (21) Appl. No.: **29/461,784**
- (22) Filed: **Jul. 26, 2013**
- (51) **LOC (10) Cl.** **03-01**
- (52) **U.S. Cl.**
USPC **D3/276; D3/279**
- (58) **Field of Classification Search**
USPC D3/272, 276, 278, 279, 273, 274, 281,
D3/289, 321; 190/100-127, 903, 37, 39,
190/18 A
See application file for complete search history.

- 6,148,971 A * 11/2000 Kho 190/18 A
- D475,196 S * 6/2003 VanSkiver et al. D3/276
- D507,878 S * 8/2005 Kavovit D3/289
- D648,129 S * 11/2011 Badanjo D3/279
- D678,676 S * 3/2013 Bettua et al. D3/276
- 2013/0233660 A1* 9/2013 Bettua et al. 190/9

* cited by examiner

Primary Examiner — Jennifer Rivard

(74) *Attorney, Agent, or Firm* — Novak Druce Connolly
Bove + Quigg LLP

(57) **CLAIM**

I claim the ornamental design for a rolling storage case, as shown and described.

DESCRIPTION

FIG. 1 is a perspective view of a rolling storage case;
FIG. 2 is a left side elevational view thereof;
FIG. 3 is a right side elevational view thereof;
FIG. 4 is a front elevational view thereof;
FIG. 5 is a back elevational view thereof;
FIG. 6 is a top plan view thereof; and,
FIG. 7 is a bottom plan view thereof.

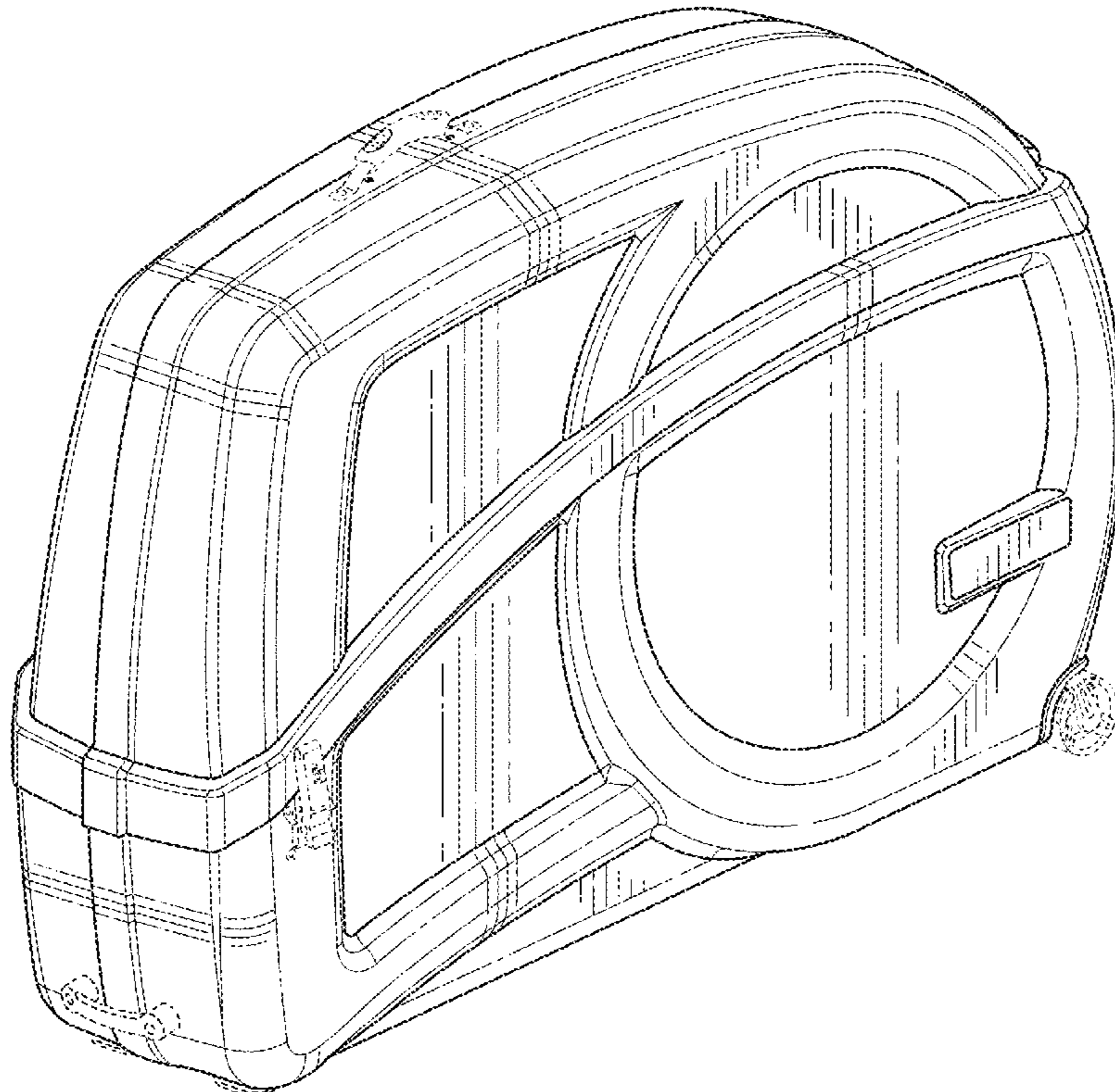
Broken lines are used to illustrate unclaimed portions of the rolling storage case; broken lines form no part of the claimed design.

1 Claim, 7 Drawing Sheets

(56) **References Cited**

U.S. PATENT DOCUMENTS

- D299,589 S * 1/1989 Uchiyama D3/279
- D348,780 S * 7/1994 Masaru D3/279
- D351,282 S * 10/1994 Masaru D3/279



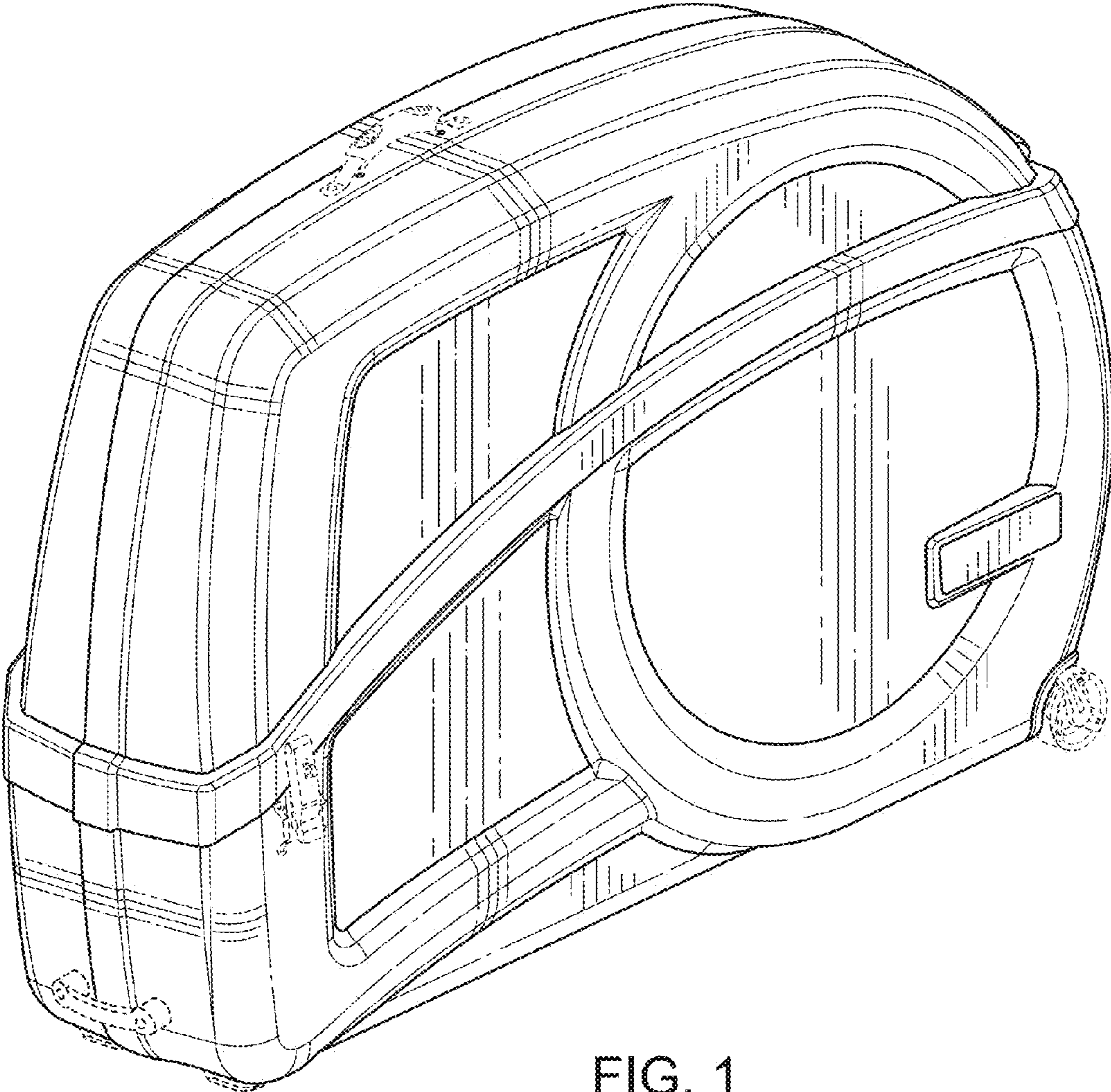


FIG. 1

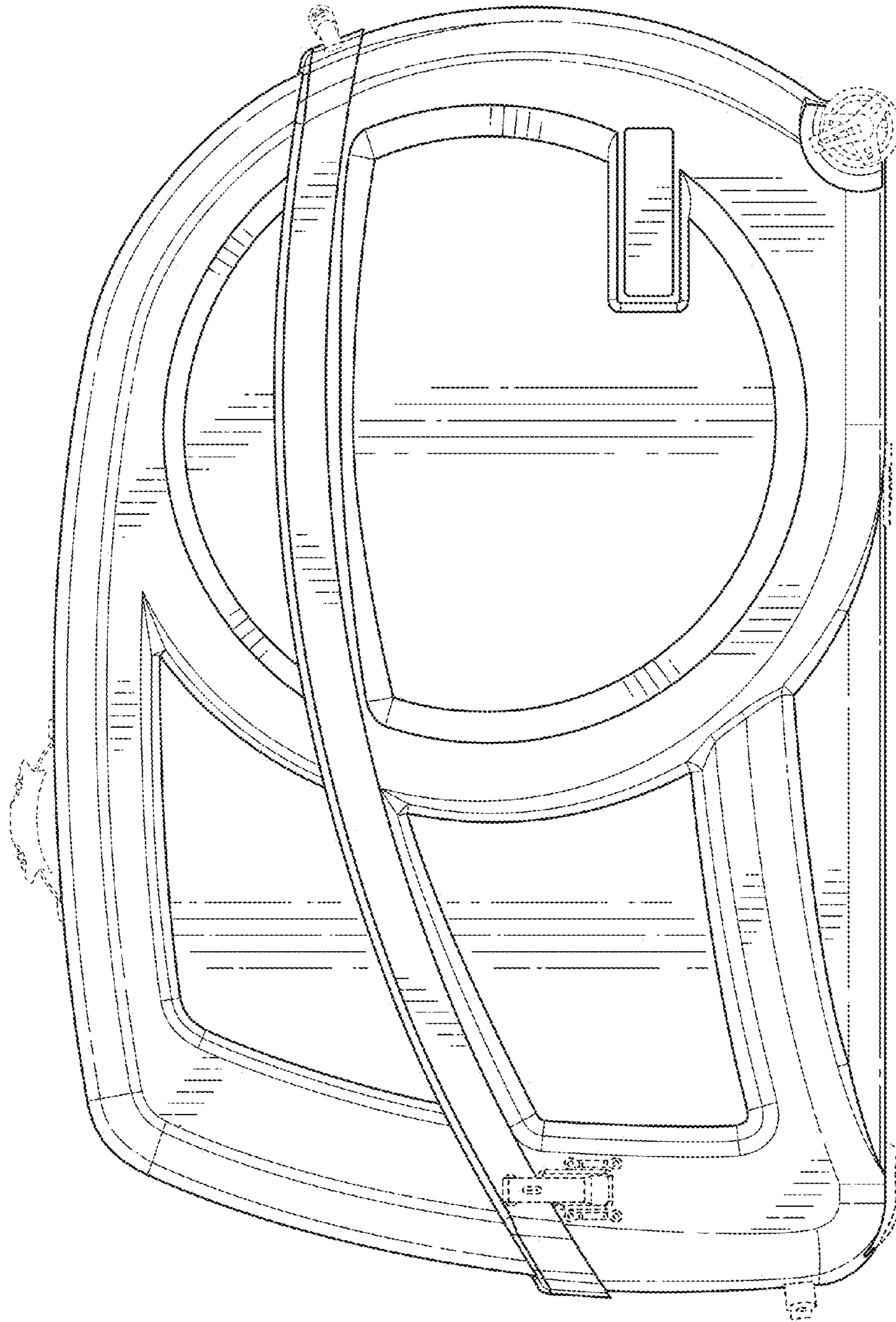


FIG. 2

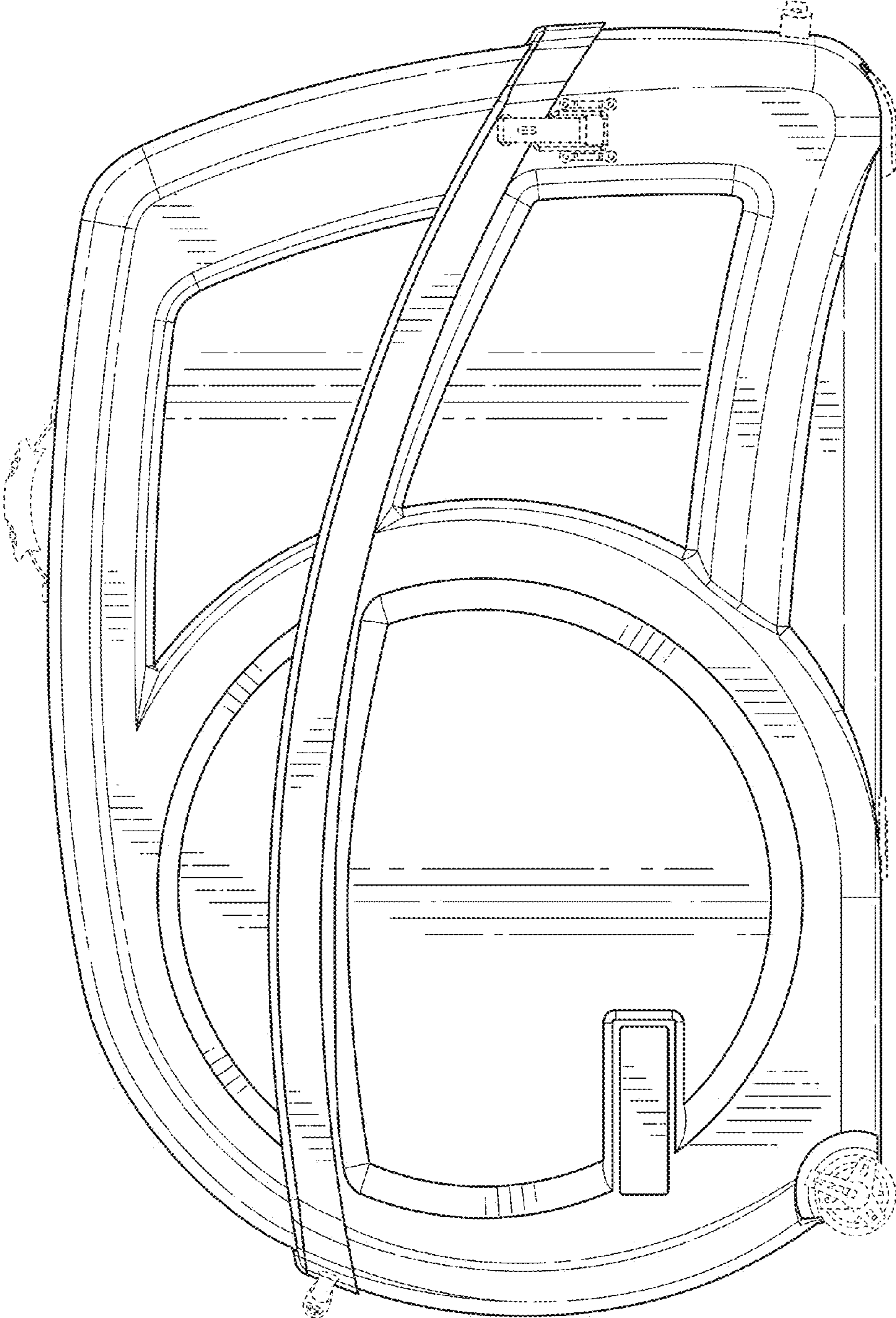


FIG. 3

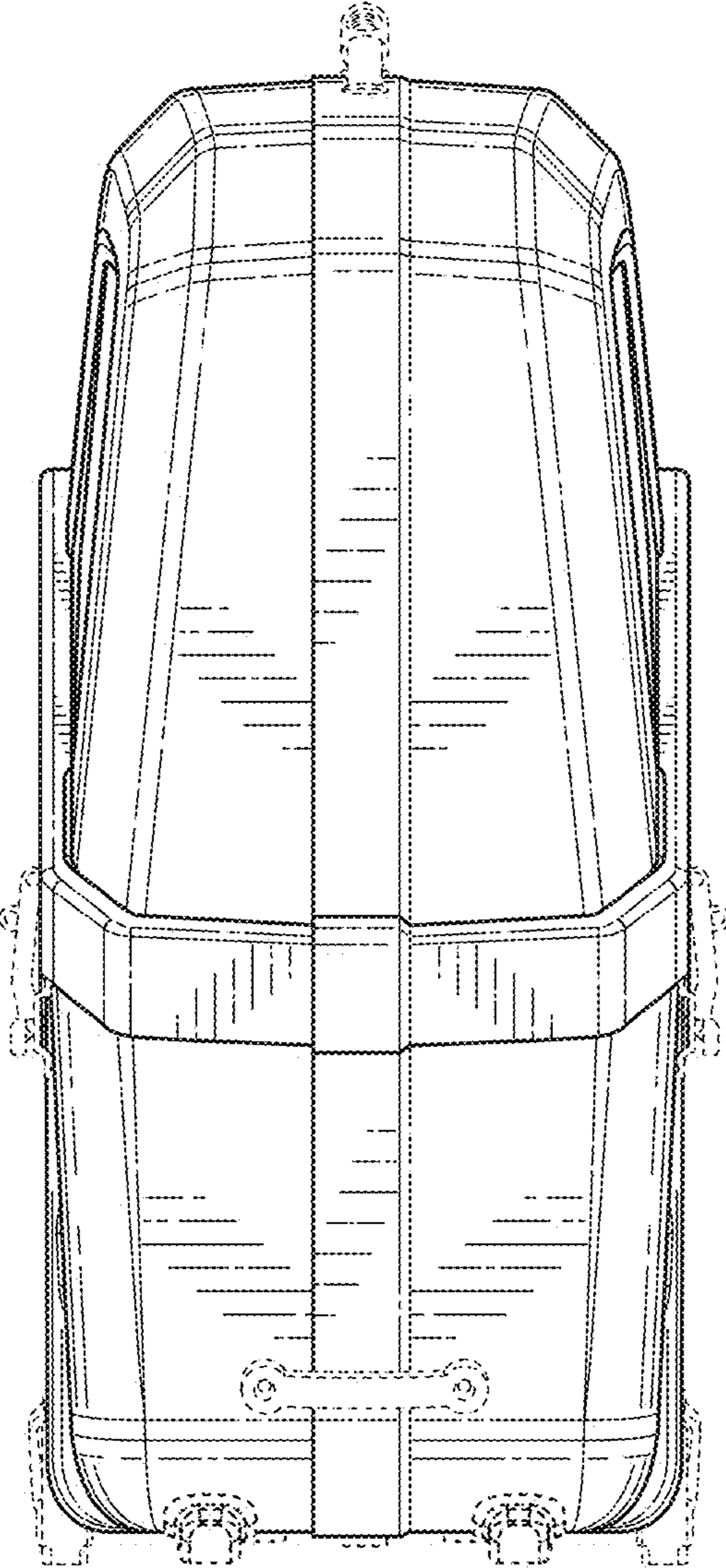


FIG. 4

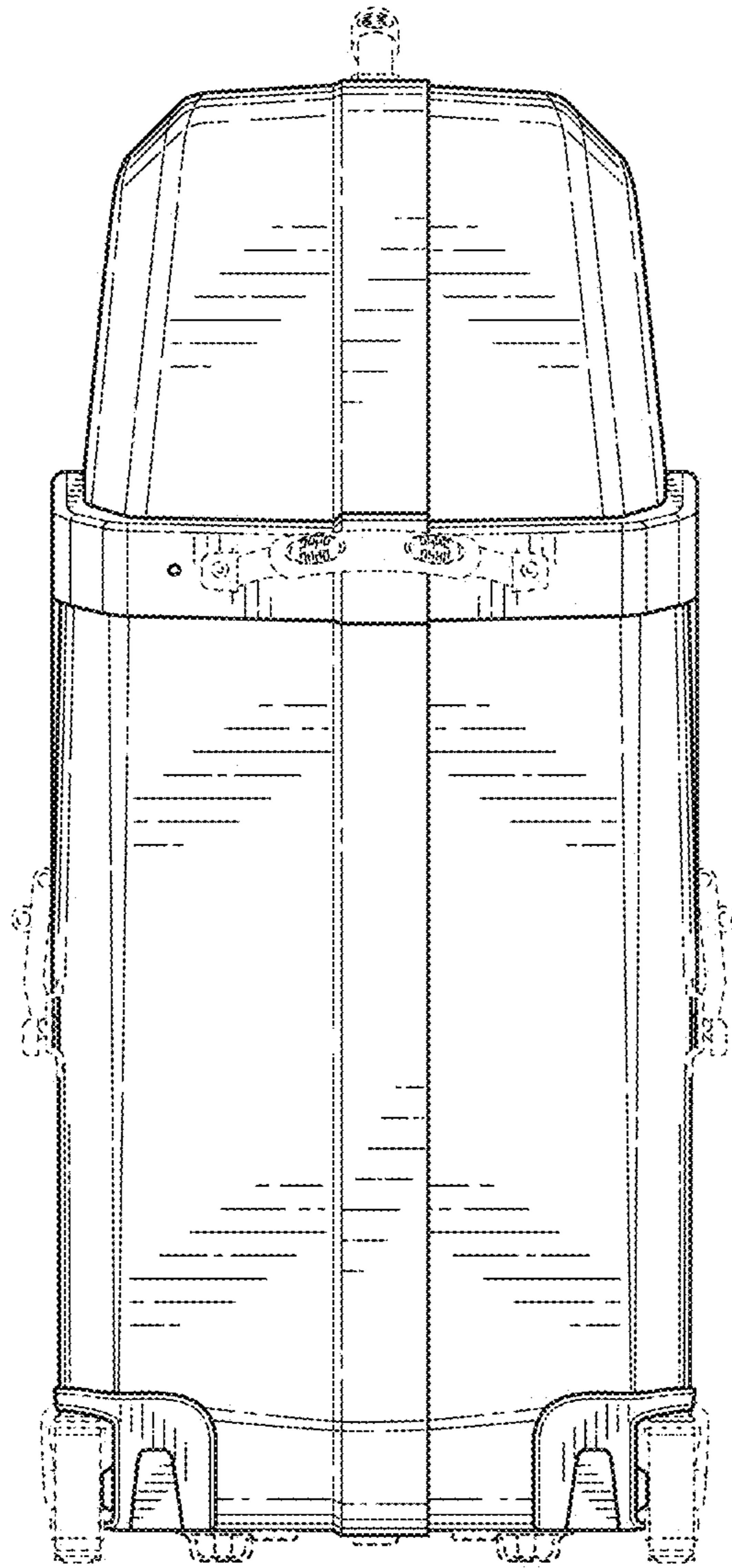


FIG. 5

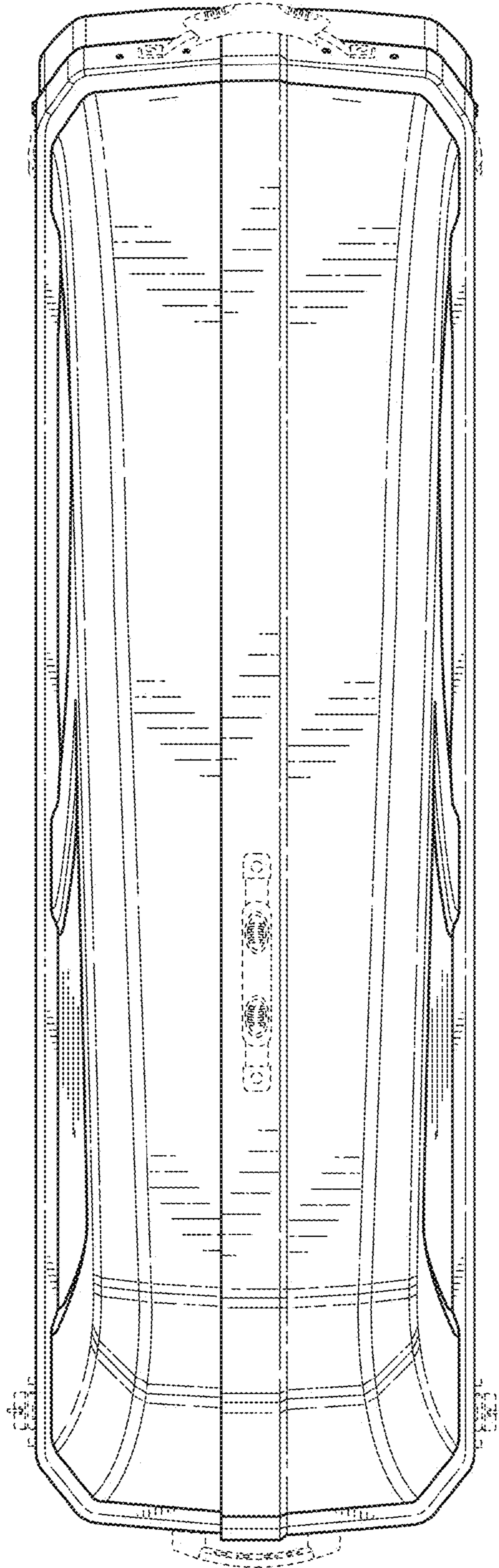


FIG. 6

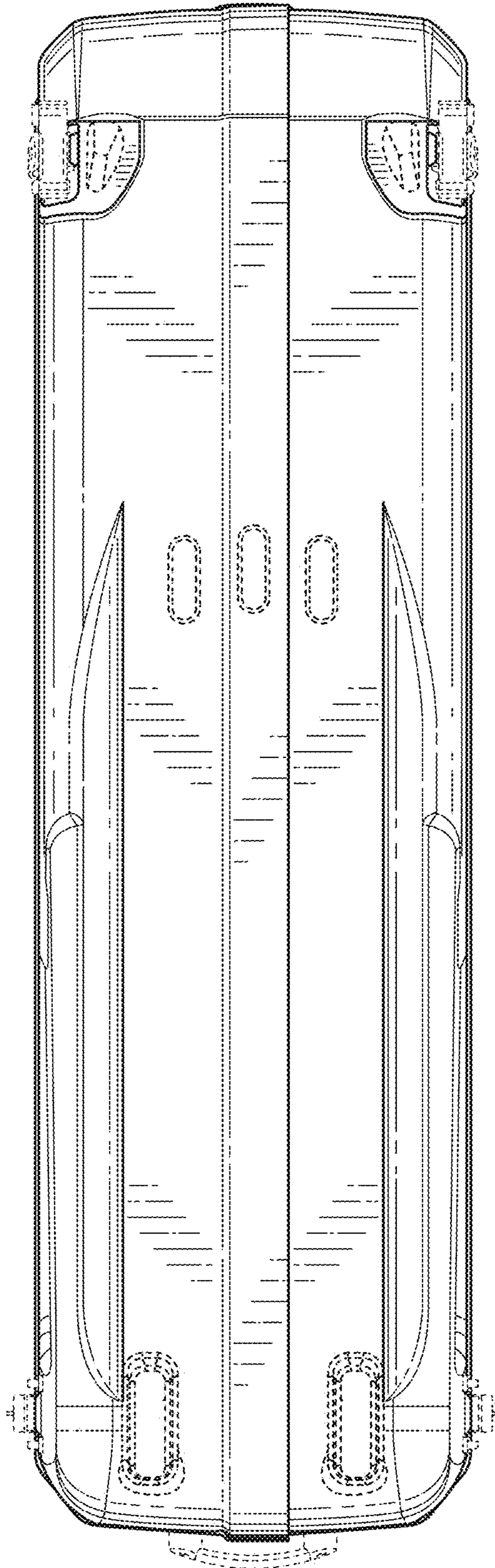


FIG. 7