



US00D707964S

(12) **United States Design Patent**
Clark

(10) **Patent No.:** **US D707,964 S**
(45) **Date of Patent:** **** Jul. 1, 2014**

(54) **HAIR STYLIST EQUIPMENT BAG**
(71) Applicant: **James Clark**, Springdale, AR (US)
(72) Inventor: **James Clark**, Springdale, AR (US)
(**) Term: **14 Years**
(21) Appl. No.: **29/440,330**
(22) Filed: **Dec. 20, 2012**

Primary Examiner — Holly Baynham
(74) *Attorney, Agent, or Firm* — Keisling & Pieper PLC;
David B. Pieper

(51) **LOC (10) Cl.** **03-01**
(52) **U.S. Cl.**
USPC **D3/246**
(58) **Field of Classification Search**
USPC D3/232–233, 240–242, 245–246;
150/100, 103–110, 113–114, 117–119
See application file for complete search history.

(57) **CLAIM**
The ornamental design for a hair stylist equipment bag, as shown and described.

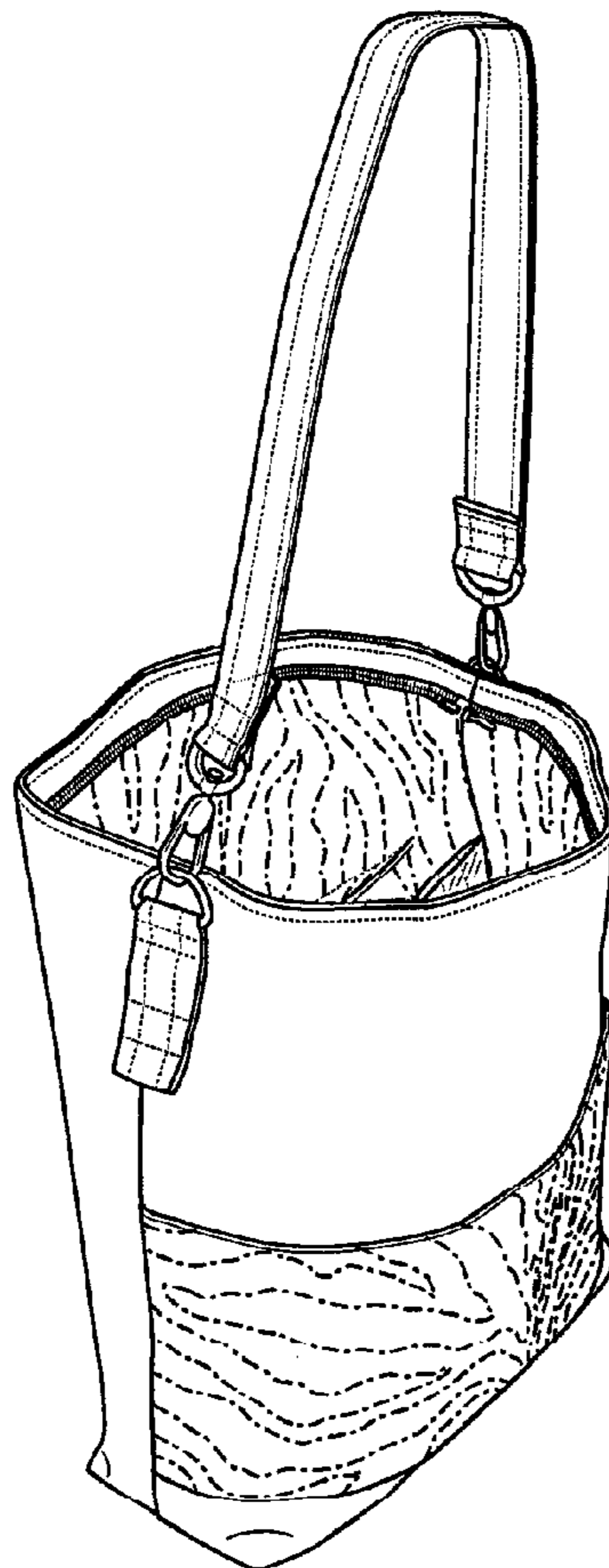
DESCRIPTION

FIG. 1 is a perspective view of a hair stylist equipment bag showing my new design;
FIG. 2 is a front cutaway view of FIG. 1 showing internal features visible from the open top;
FIG. 3 is a back cutaway view of FIG. 1 showing internal features visible from the open top;
FIG. 4 is a front view thereof;
FIG. 5 is a back view thereof;
FIG. 6 is a bottom view thereof;
FIG. 7 is a right side view thereof; and,
FIG. 8 is a left side view thereof.
The broken lines showing the stripped pattern and hair care articles are for the purposes of illustrating environment and form no part of the claimed design.

(56) **References Cited**
U.S. PATENT DOCUMENTS
D441,529 S * 5/2001 Guyon D3/246
D446,644 S * 8/2001 Tucker D3/246
D572,471 S * 7/2008 Saconay-Duhart D3/246
D591,043 S * 4/2009 Gonzalez D3/246

* cited by examiner

1 Claim, 4 Drawing Sheets



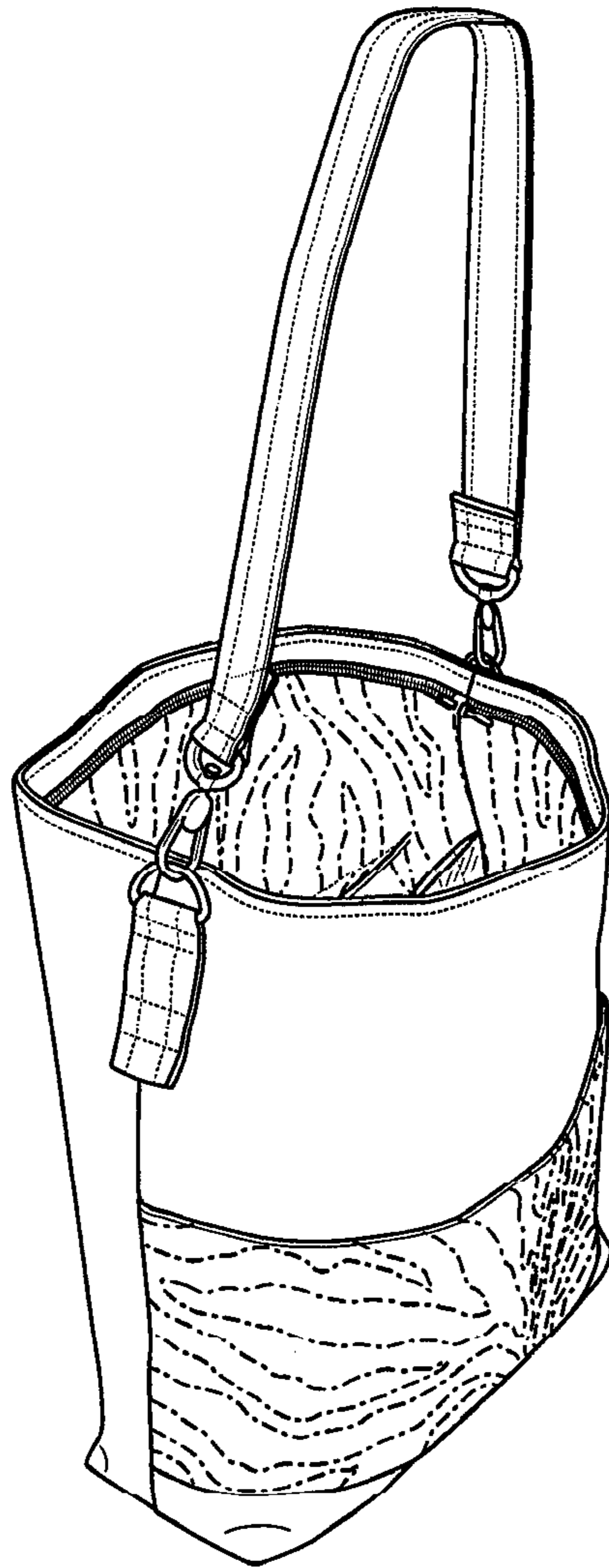


FIG. 1

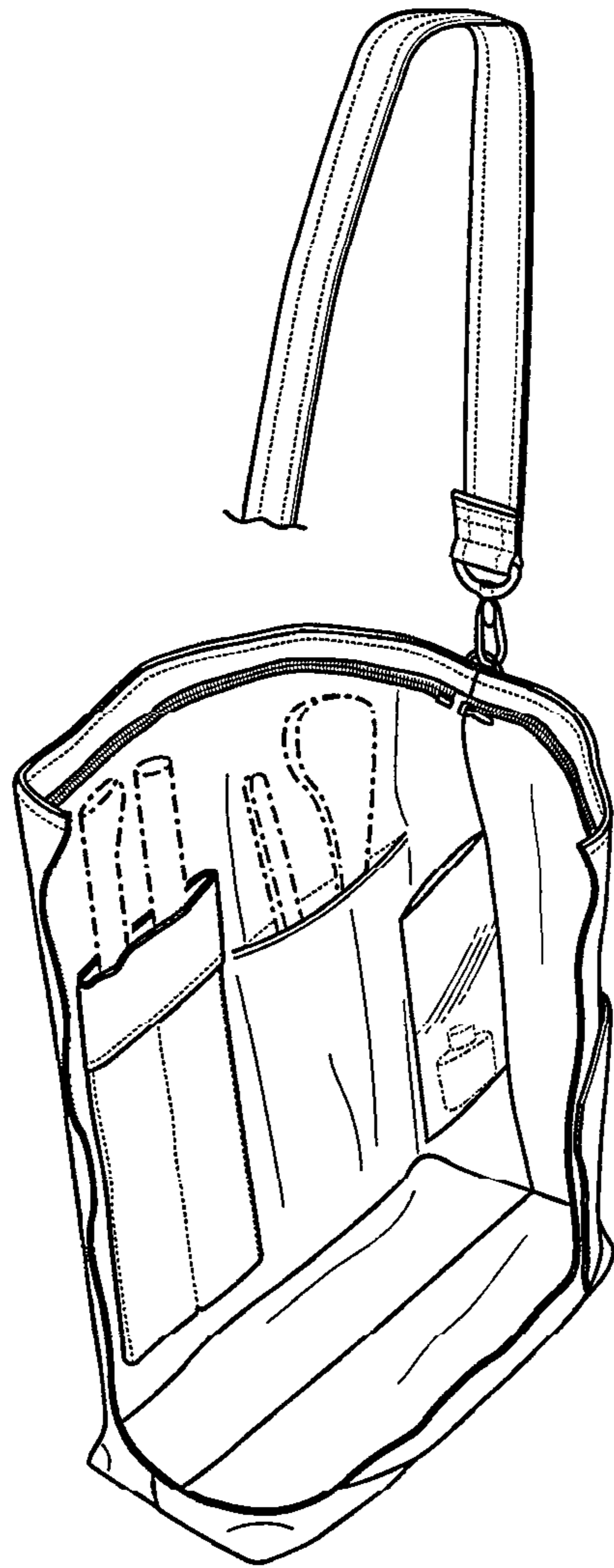


FIG. 2

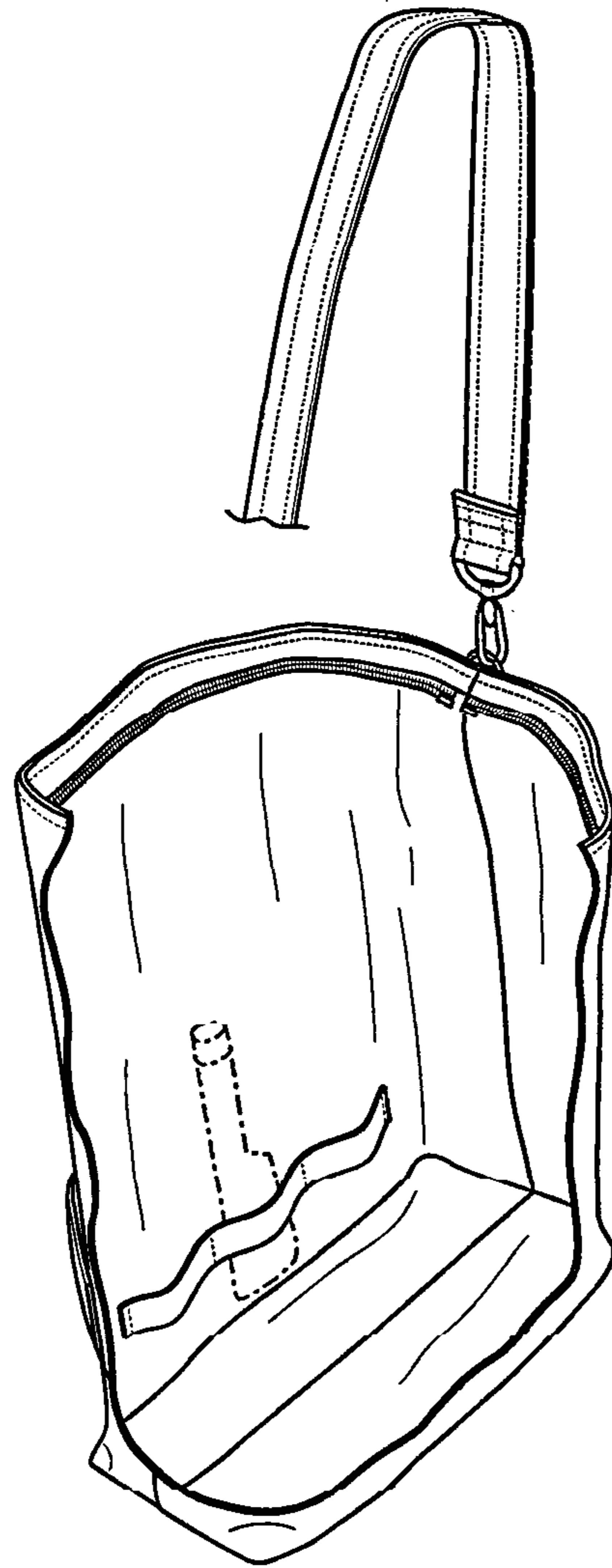


FIG. 3

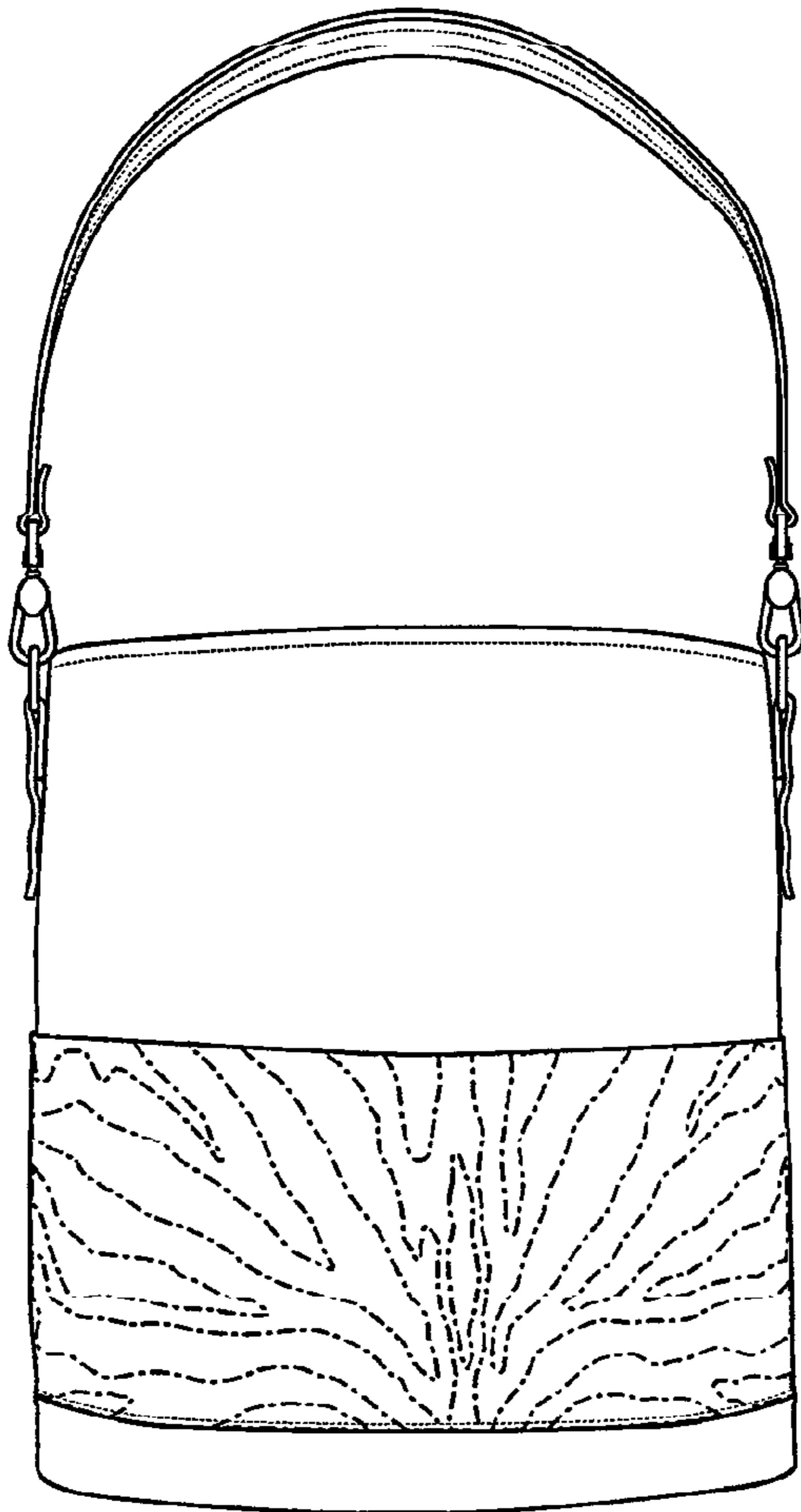


FIG. 4

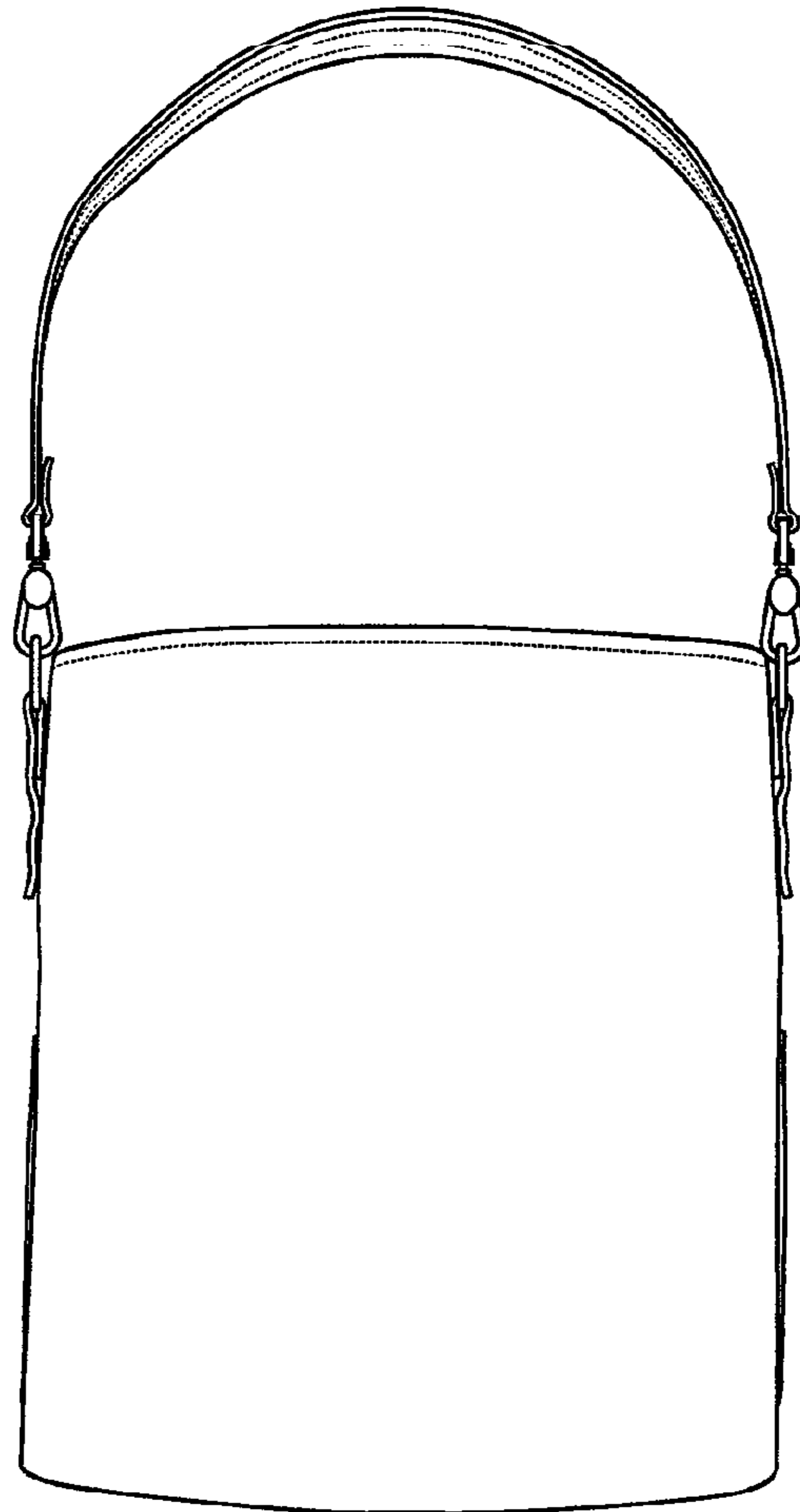


FIG. 5

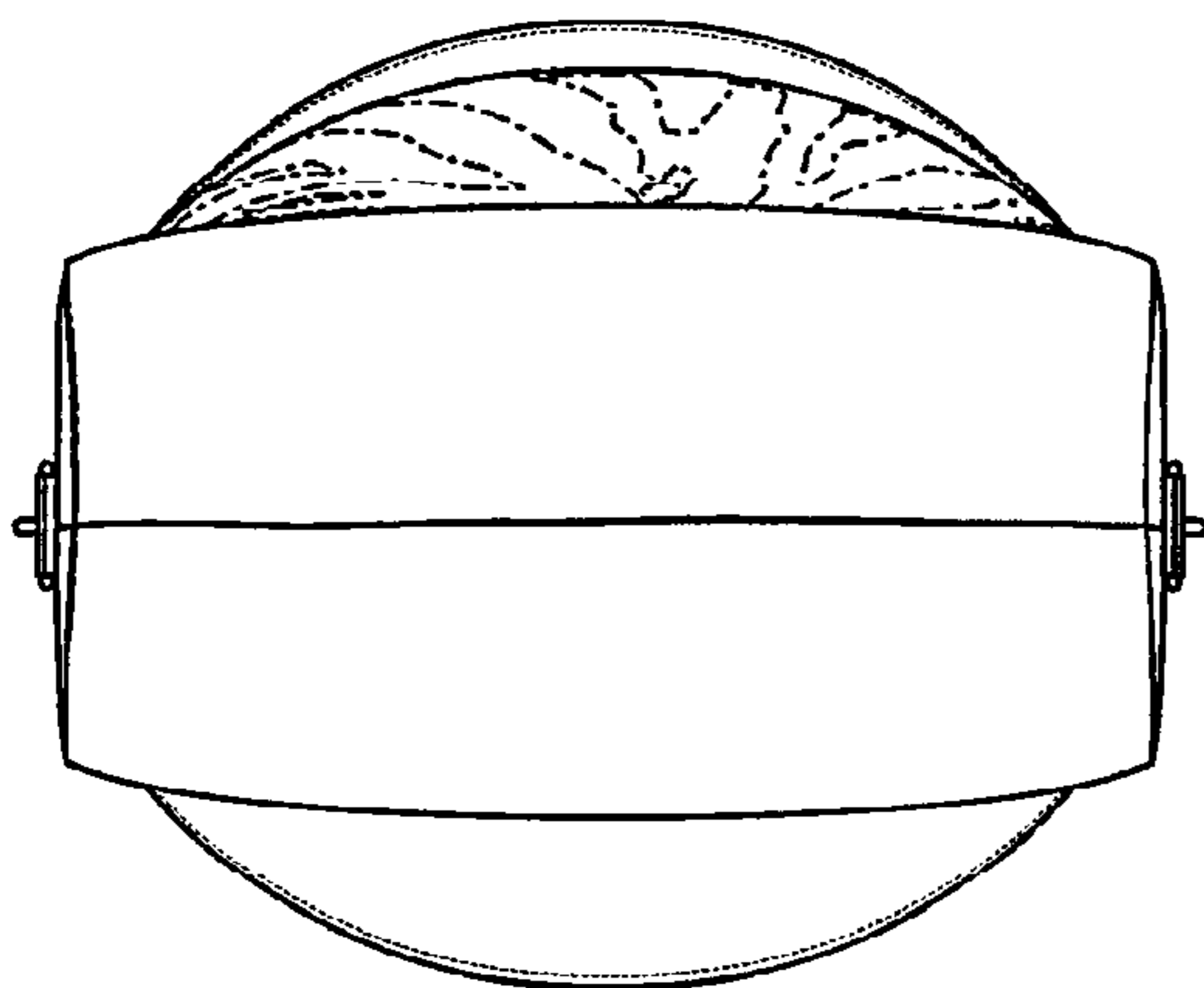


FIG. 6

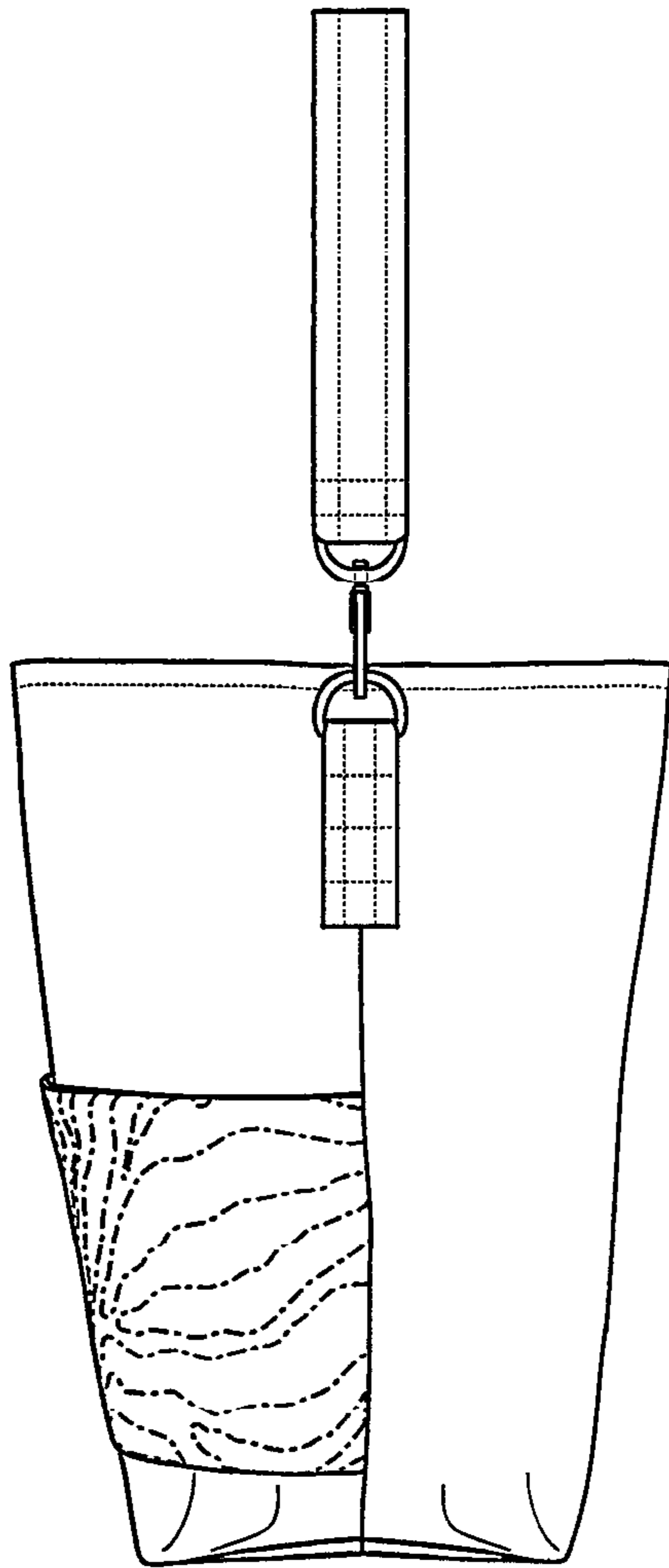


FIG. 7

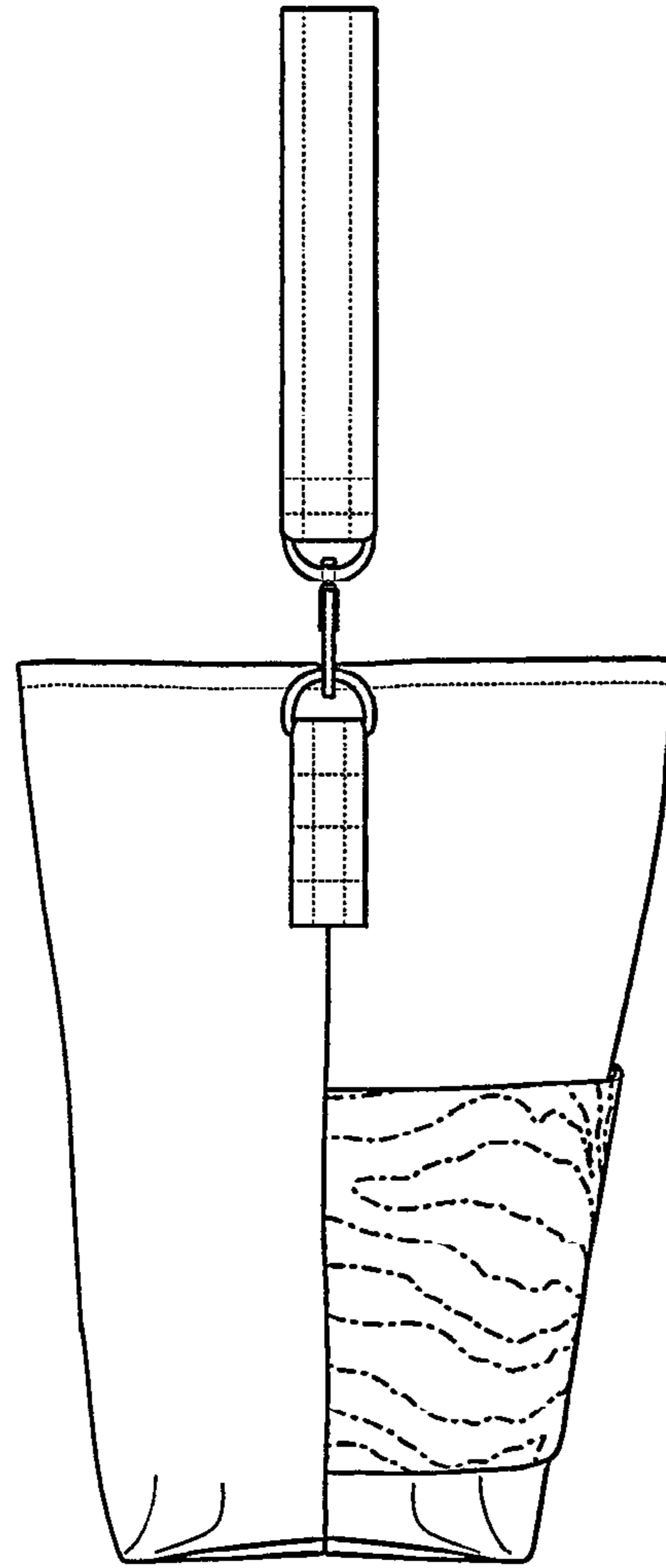


FIG. 8