



US00D707962S

(12) **United States Design Patent**
Moreau et al.

(10) **Patent No.:** **US D707,962 S**
(45) **Date of Patent:** **** Jul. 1, 2014**

(54) **TOOL POUCH WITH RETRACTOR COMPARTMENTS**

D676,234 S * 2/2013 Moreau et al. D3/228
D692,231 S * 10/2013 Moreau et al. D3/228

(71) Applicant: **Ty-Flot, Inc.**, Manchester, NH (US)

* cited by examiner

(72) Inventors: **Darrell A. Moreau**, Manchester, NH (US); **Andre W. Moreau**, Spring Hill, FL (US)

Primary Examiner — Catheri Oliver-Garcia

(74) *Attorney, Agent, or Firm* — Mesmer & Deleault, PLLC

(73) Assignee: **Ty-Flot, Inc.**, Manchester, NH (US)

(57) **CLAIM**

We claim the ornamental design for a tool pouch with retractor compartments, as shown and described.

(**) Term: **14 Years**

DESCRIPTION

(21) Appl. No.: **29/462,805**

FIG. 1 is a front, left perspective view of a tool pouch with retractor compartments in a closed position showing our new design.

(22) Filed: **Aug. 8, 2013**

FIG. 2 is a front, right perspective view thereof.

(51) **LOC (10) Cl.** **03-01**

FIG. 3 is a top plan view thereof.

(52) **U.S. Cl.**

FIG. 4 is a bottom plan view thereof.

USPC **D3/228**

FIG. 5 is a left side elevation thereof.

(58) **Field of Classification Search**

CPC A45F 3/04; A45F 3/005; A45F 5/00;
A45F 3/14; A45F 5/02; A45F 2200/05;
A45F 2200/0575; B25H 3/00

FIG. 6 is a right side elevation thereof.

USPC D3/215, 218–219, 224, 226, 228;
224/183, 665, 672, 674–675, 678–681

FIG. 7 is a rear, right perspective view thereof.

See application file for complete search history.

FIG. 8 is a rear, left perspective view thereof.

FIG. 9 is front elevation thereof.

FIG. 10 is a rear elevation thereof.

FIG. 11 is a front, left perspective view of the tool pouch of FIG. 1 showing the retractor compartments in an open position.

FIG. 12 is a front, right perspective view the tool pouch of FIG. 1 showing the retractor compartments in an open position; and,

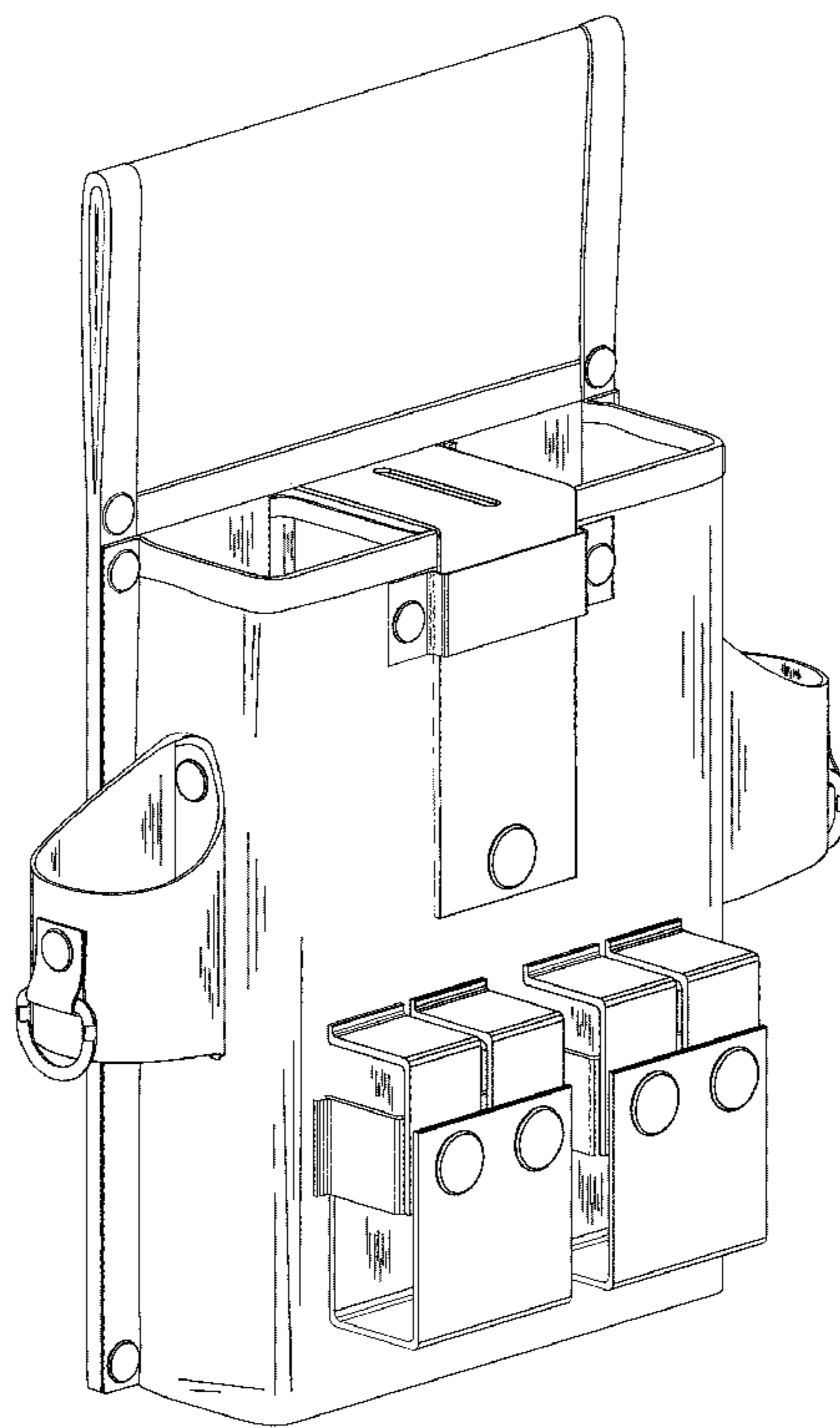
FIG. 13 is a front elevation the tool pouch of FIG. 1 showing the retractor compartments in an open position.

(56) **References Cited**

U.S. PATENT DOCUMENTS

D443,411 S * 6/2001 Snider et al. D3/228
8,028,872 B2 * 10/2011 Hamlin 224/183

1 Claim, 11 Drawing Sheets



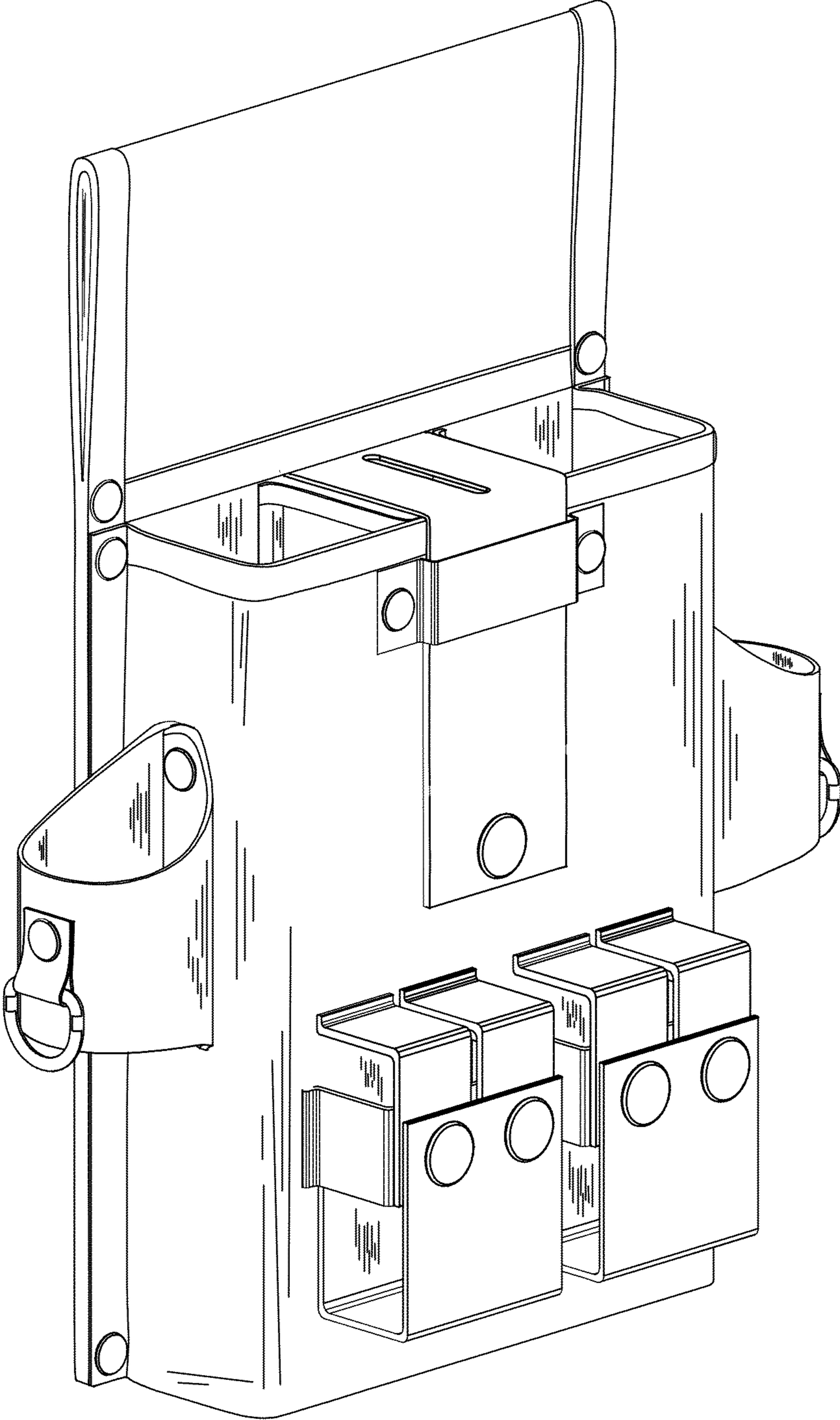


Figure 1

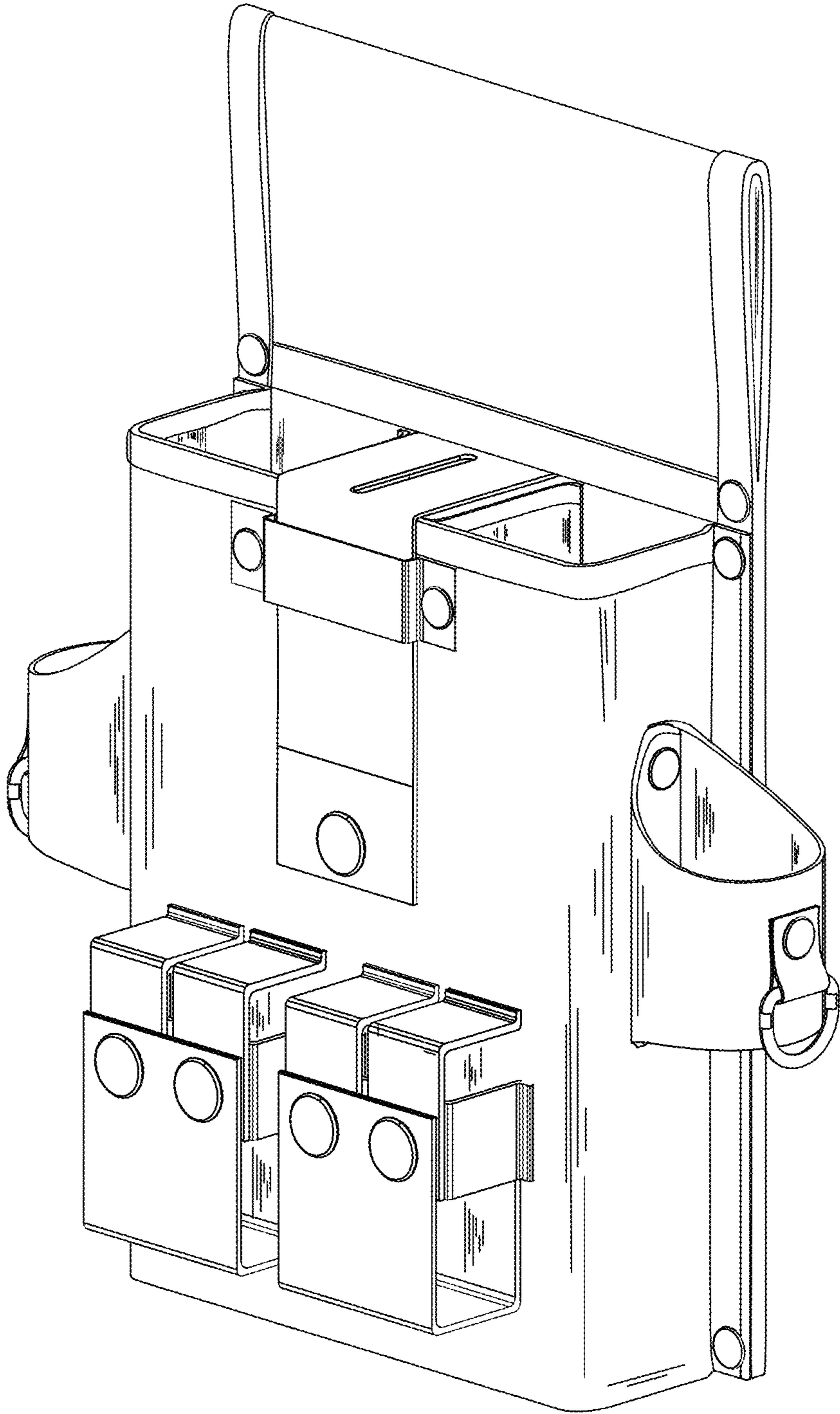


Figure 2

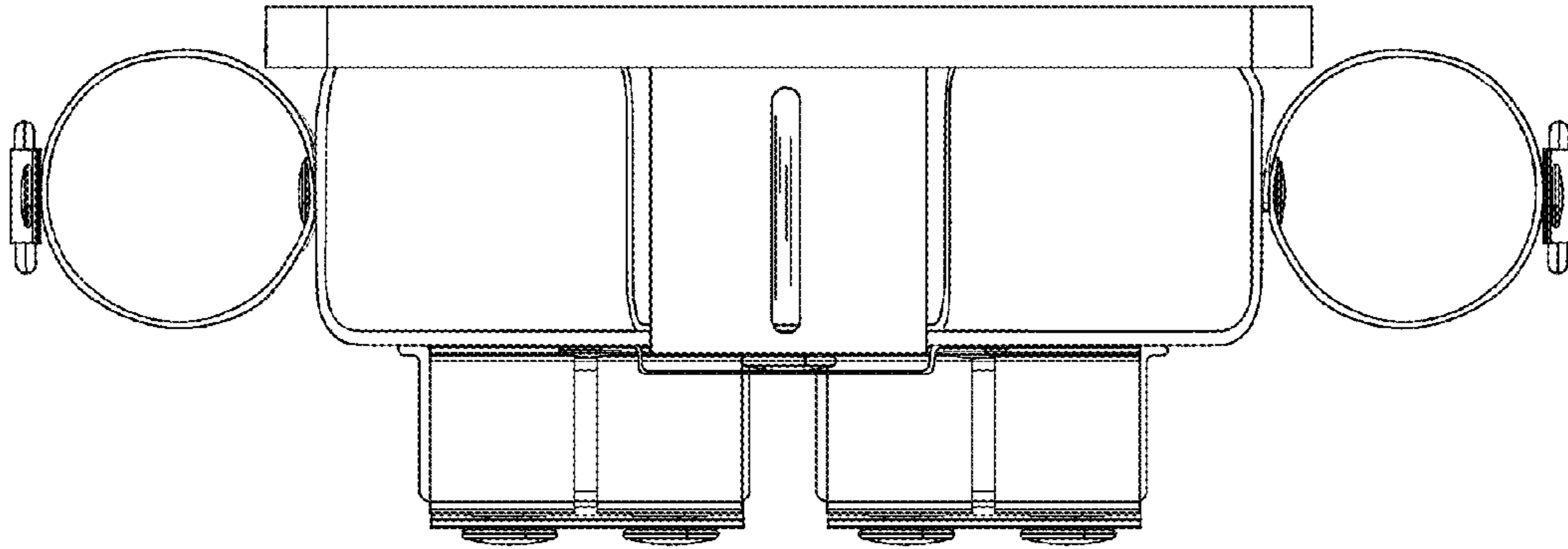


Figure 3

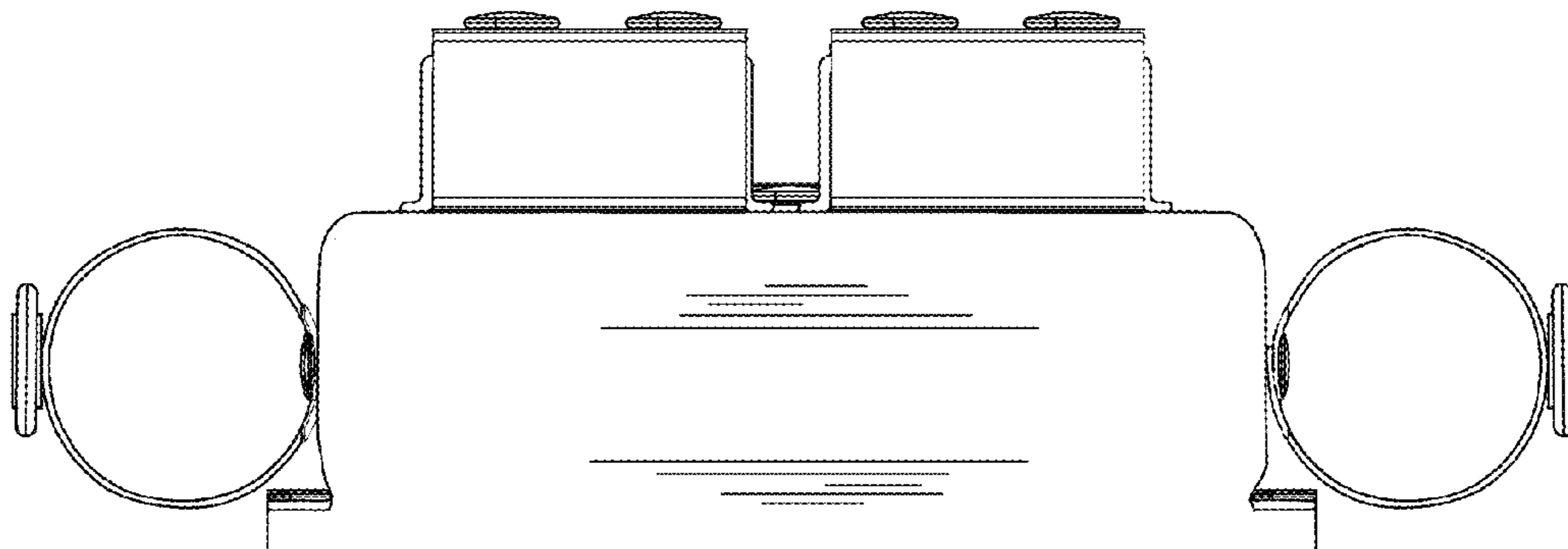


Figure 4

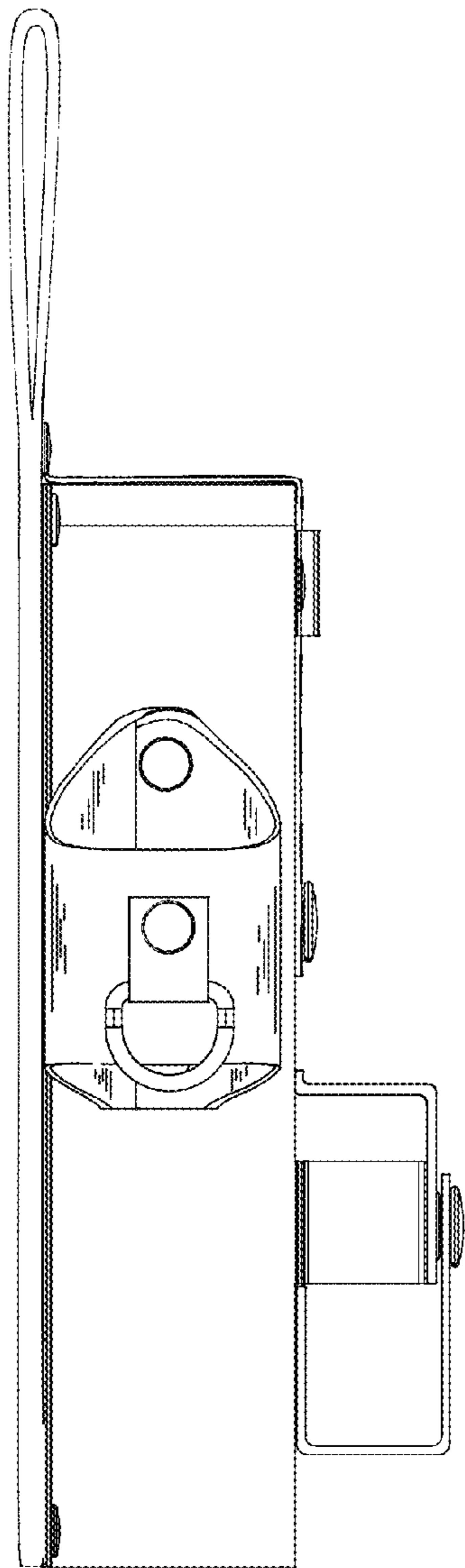


Figure 5

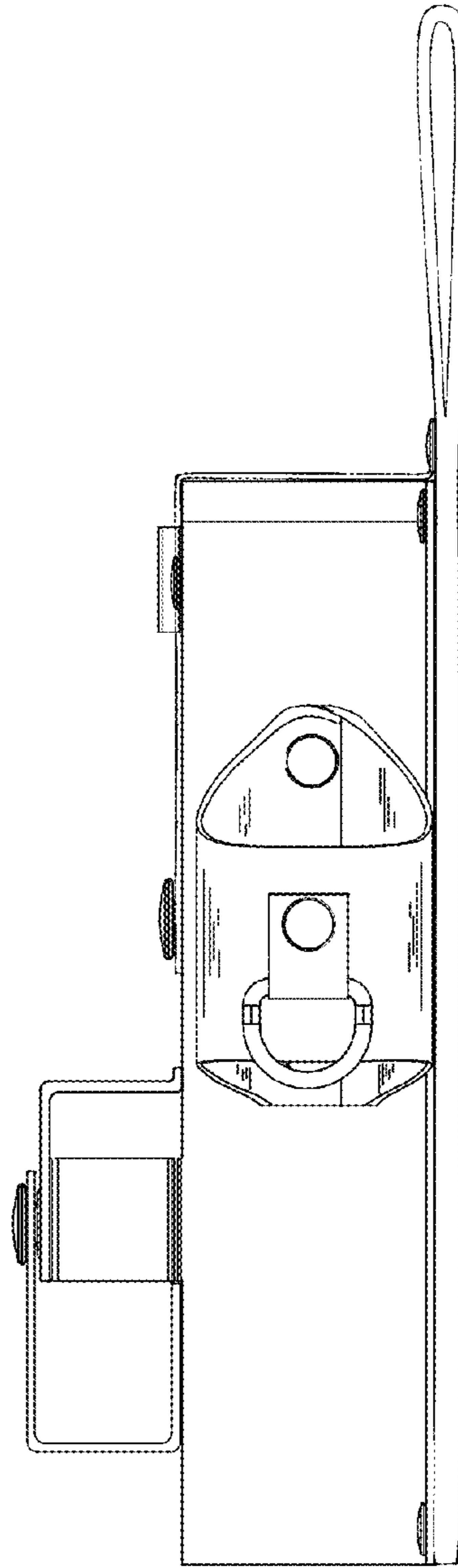


Figure 6

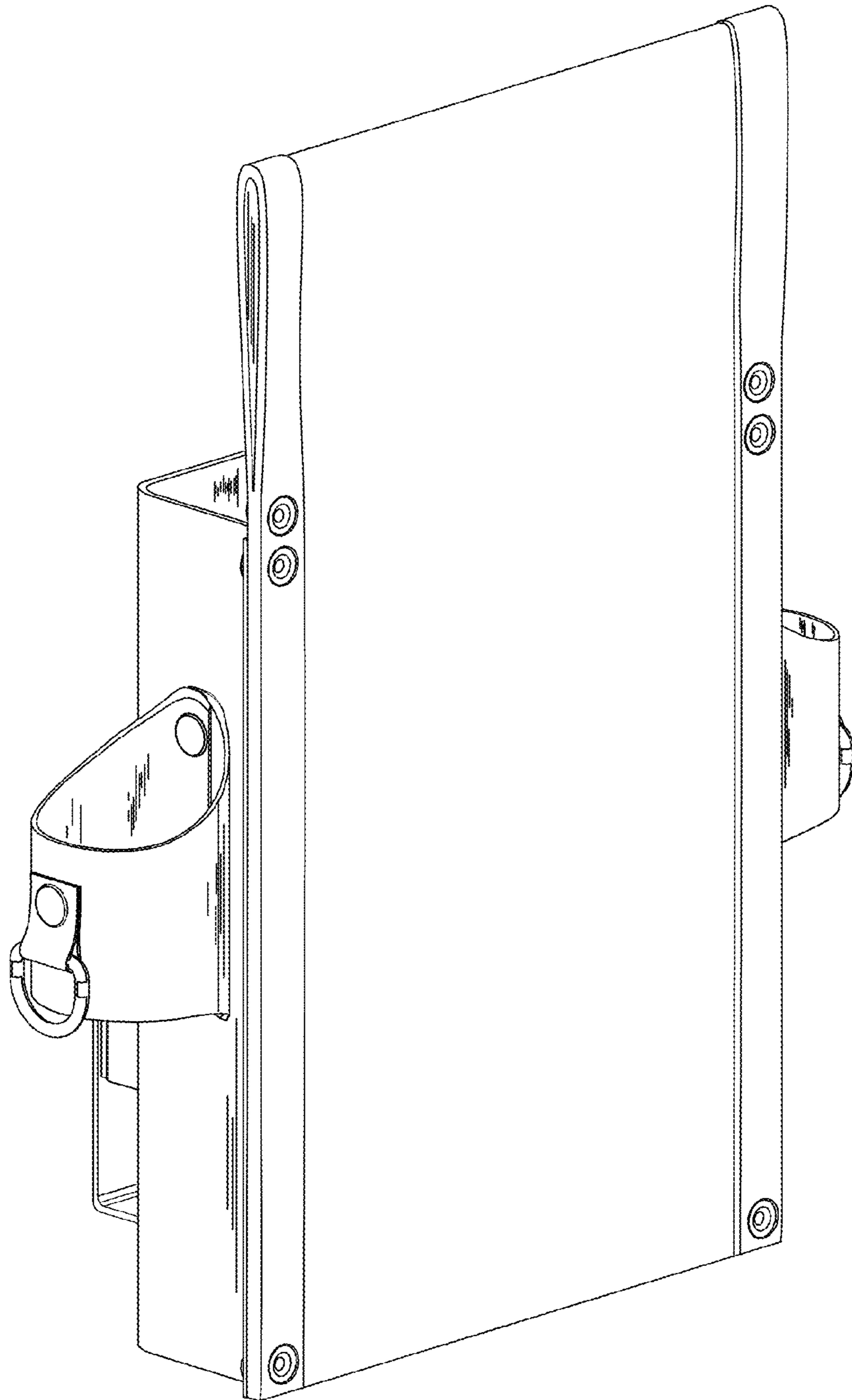


Figure 7

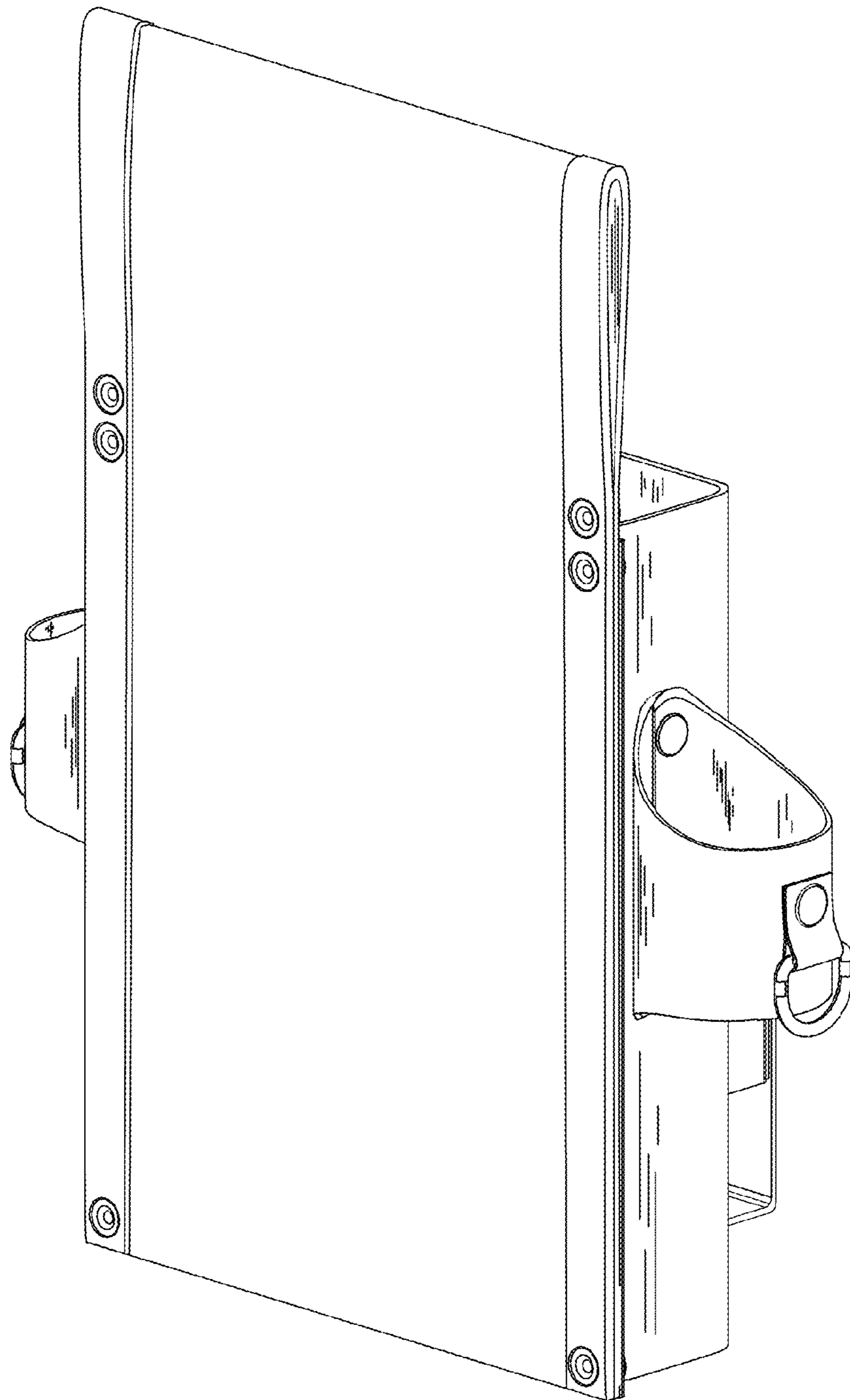


Figure 8

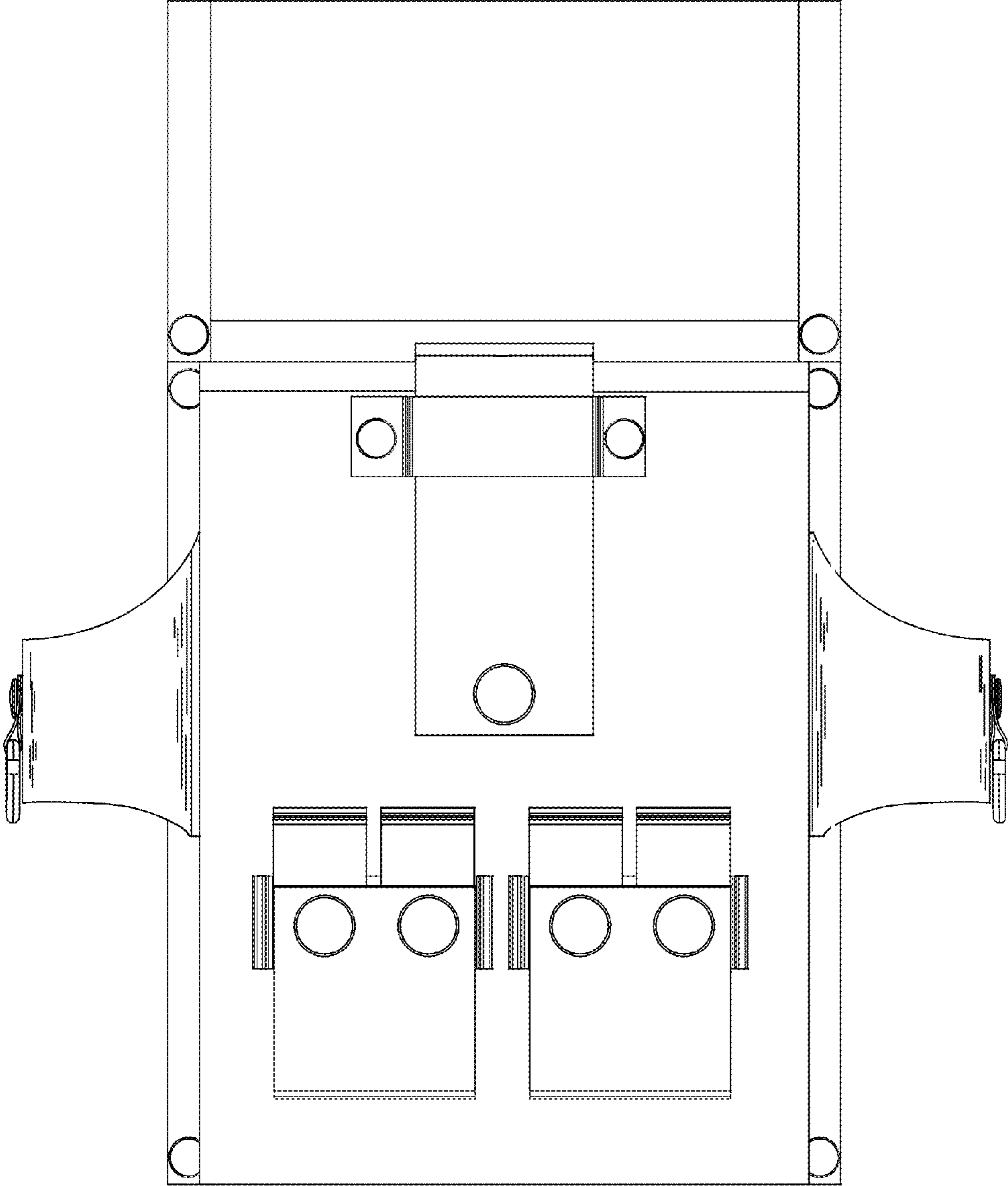


Figure 9

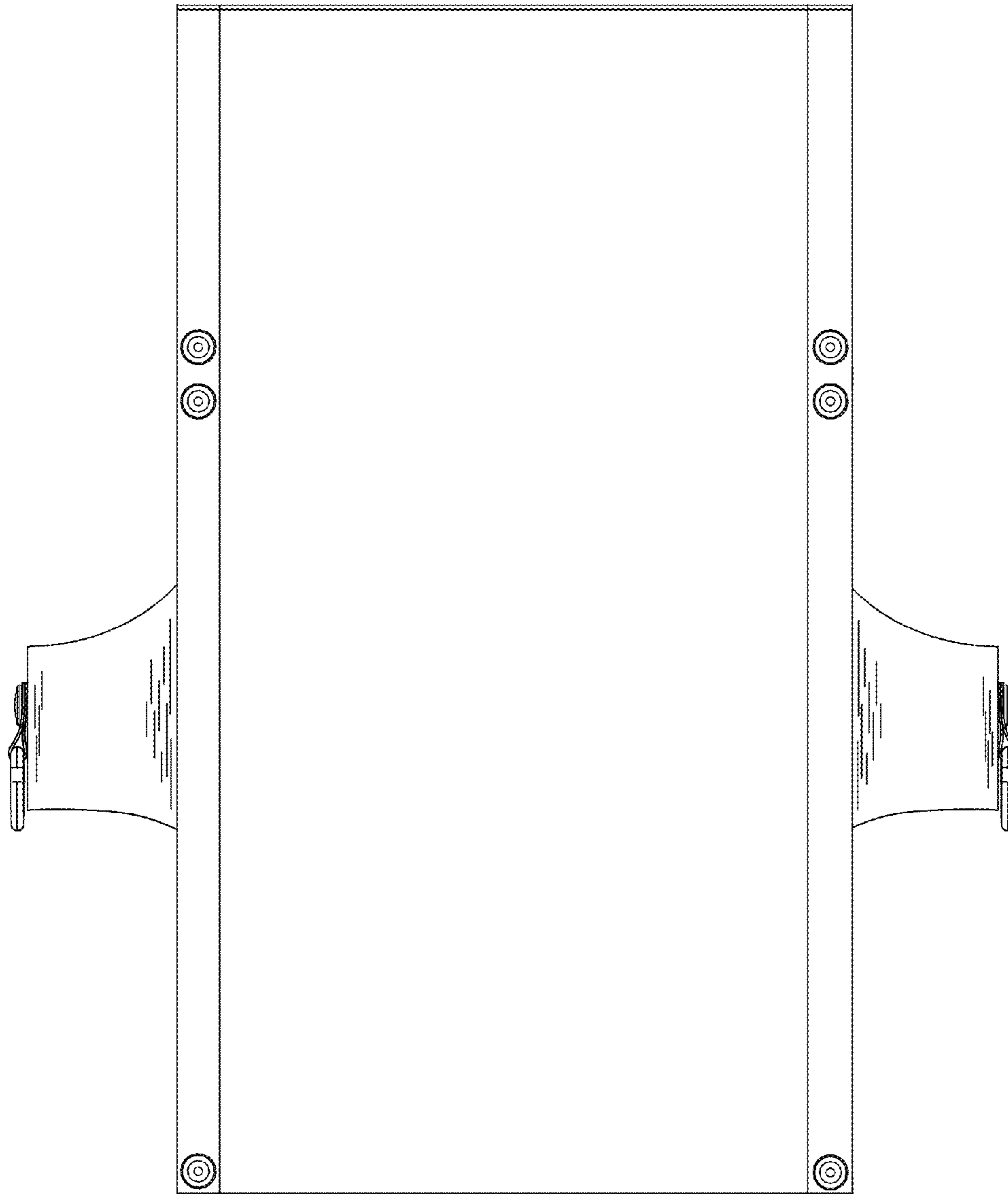


Figure 10

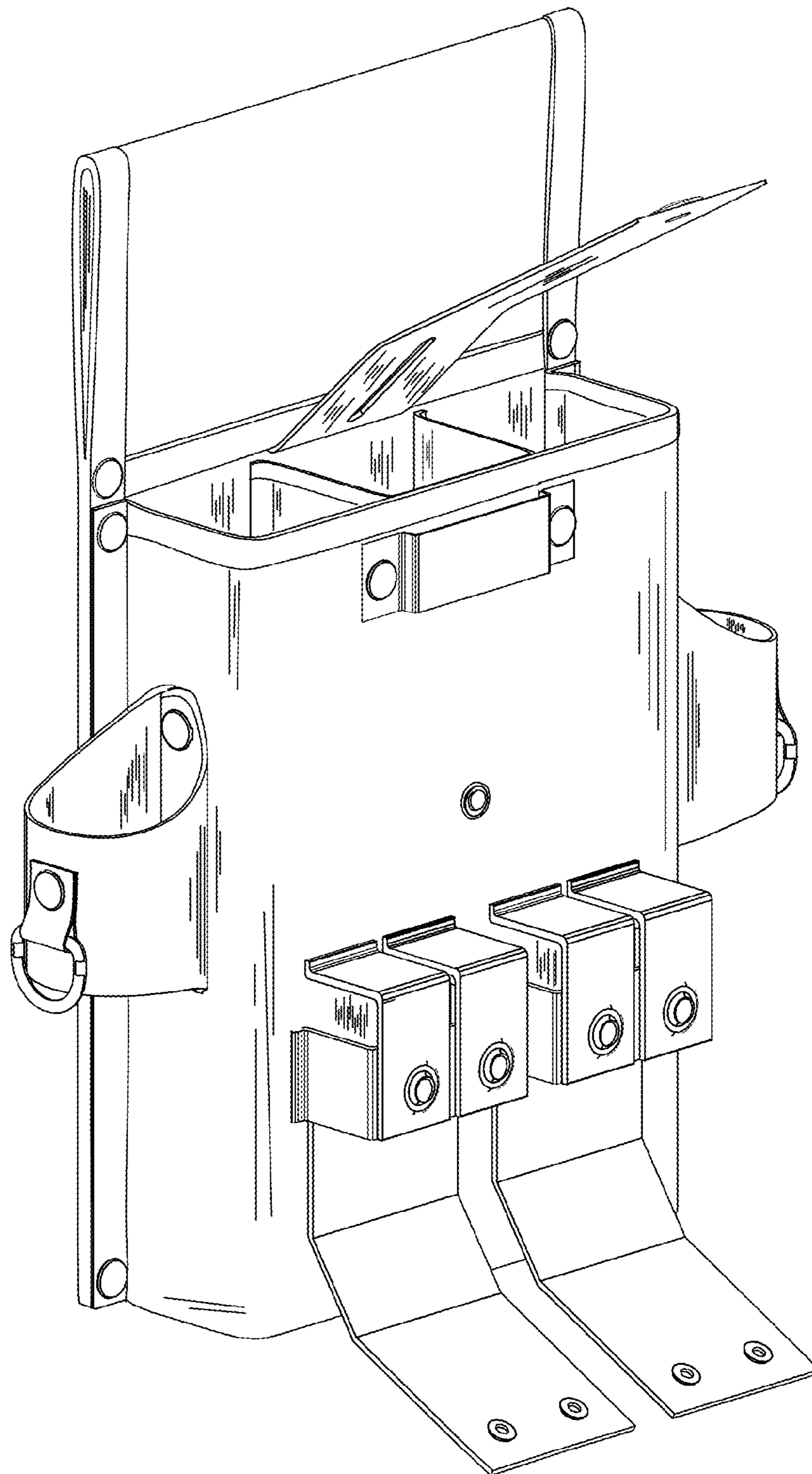


Figure 11

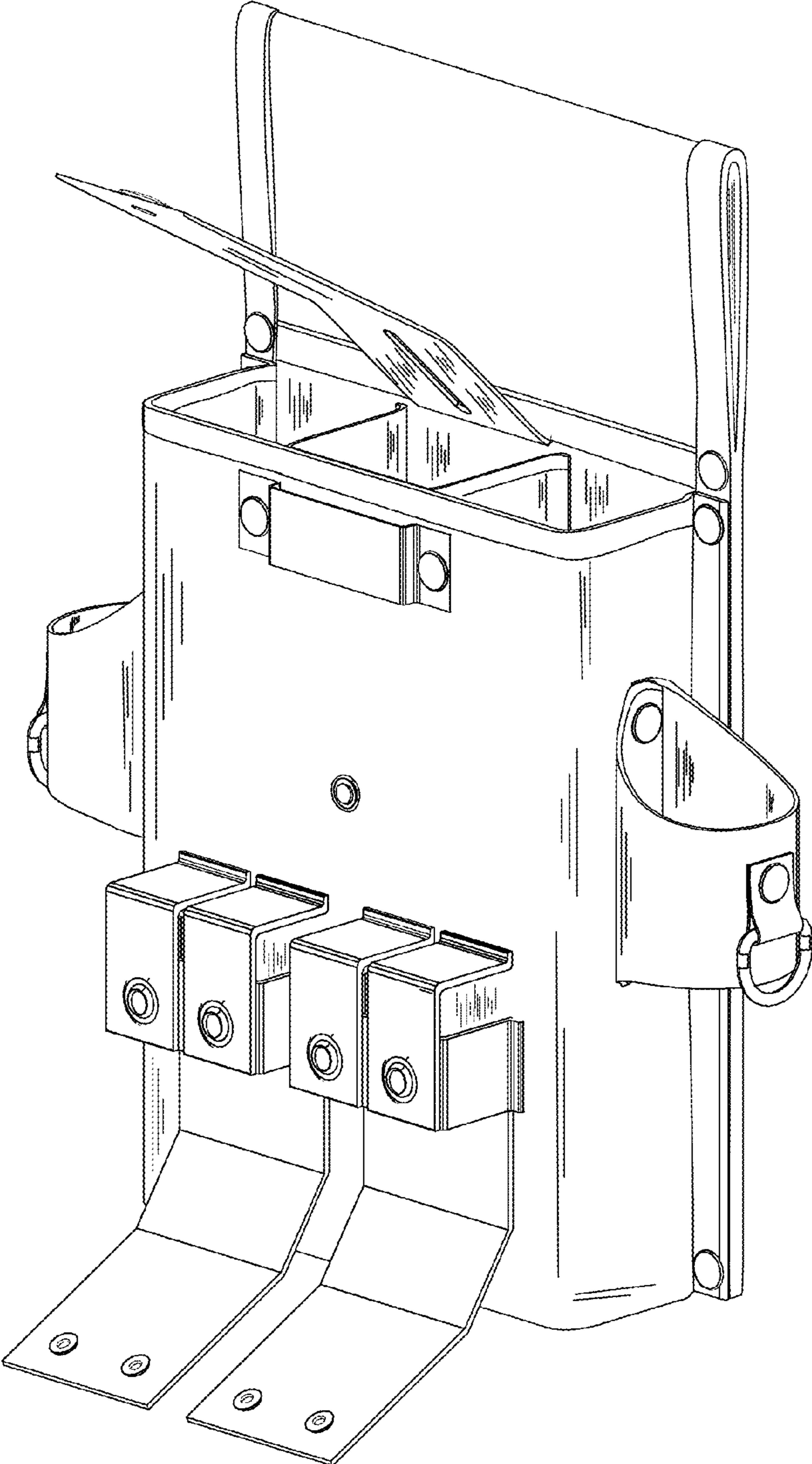


Figure 12

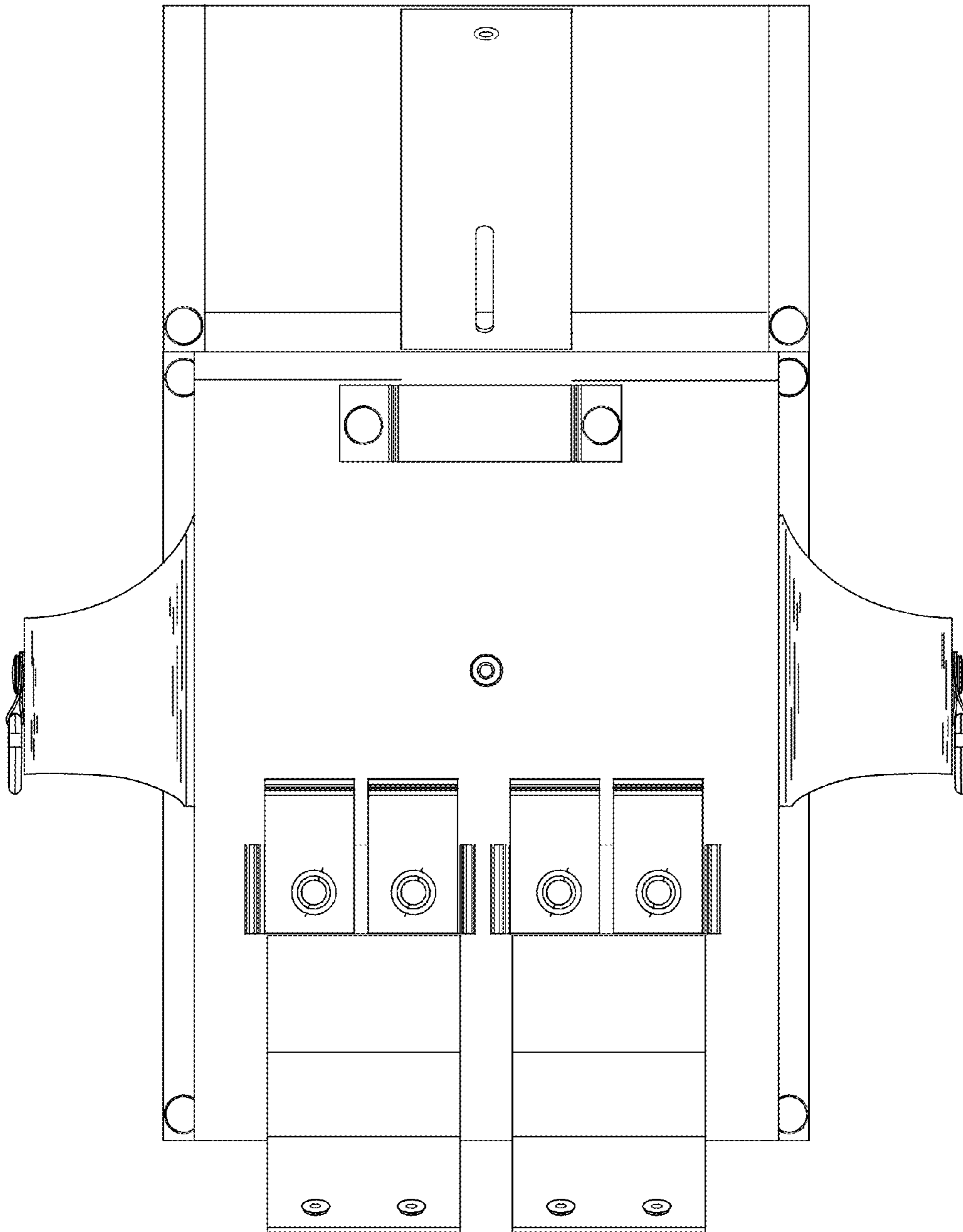


Figure 13