



US00D707960S

(12) **United States Design Patent**
Young

(10) **Patent No.:** **US D707,960 S**

(45) **Date of Patent:** **** Jul. 1, 2014**

(54) **BELT WITH FISHING ROD HOLDERS**

(71) Applicant: **Stanley Young**, Clearwater, FL (US)

(72) Inventor: **Stanley Young**, Clearwater, FL (US)

(**) Term: **14 Years**

(21) Appl. No.: **29/458,303**

(22) Filed: **Jun. 18, 2013**

(51) **LOC (10) Cl.** **03-01**

(52) **U.S. Cl.**
USPC **D3/221**

(58) **Field of Classification Search**
CPC A45F 5/021; A45F 2200/0565
USPC D3/215, 221; 224/200, 251, 262, 581,
224/662, 676, 922; D22/138-139, 147;
43/21.2
See application file for complete search history.

(56) **References Cited**

U.S. PATENT DOCUMENTS

2,068,054	A	1/1937	Haislip	
3,282,482	A	11/1966	Scharsu	
3,874,573	A	4/1975	Fruscella et al.	
3,885,721	A *	5/1975	Vanus	224/581
4,081,115	A	3/1978	White et al.	
D295,776	S	5/1988	Johansen	
4,802,612	A	2/1989	Anderson	
5,123,578	A *	6/1992	Morse	224/581

5,571,228	A	11/1996	McMurtrie	
6,237,821	B1	5/2001	Owen	
6,591,542	B1 *	7/2003	Jordan	43/21.2
7,013,596	B1	3/2006	Moore	
D523,109	S *	6/2006	Palmer, Jr.	D22/147
D616,643	S *	6/2010	Casper	D3/221
8,181,381	B1	5/2012	Kelleher	
8,418,899	B1 *	4/2013	Stamps	224/251

* cited by examiner

Primary Examiner — Catheri Oliver-Garcia

(57) **CLAIM**

I claim the ornamental design for the belt with fishing rod holders, as shown and described.

DESCRIPTION

FIG. 1 is an exploded front view of the belt with fishing rod holders.

FIG. 2 is an exploded rear view of the claimed design.

FIG. 3 is an exploded left side view of the claimed design.

FIG. 4 is an exploded right side view of the claimed design.

FIG. 5 is an exploded top view of the claimed design.

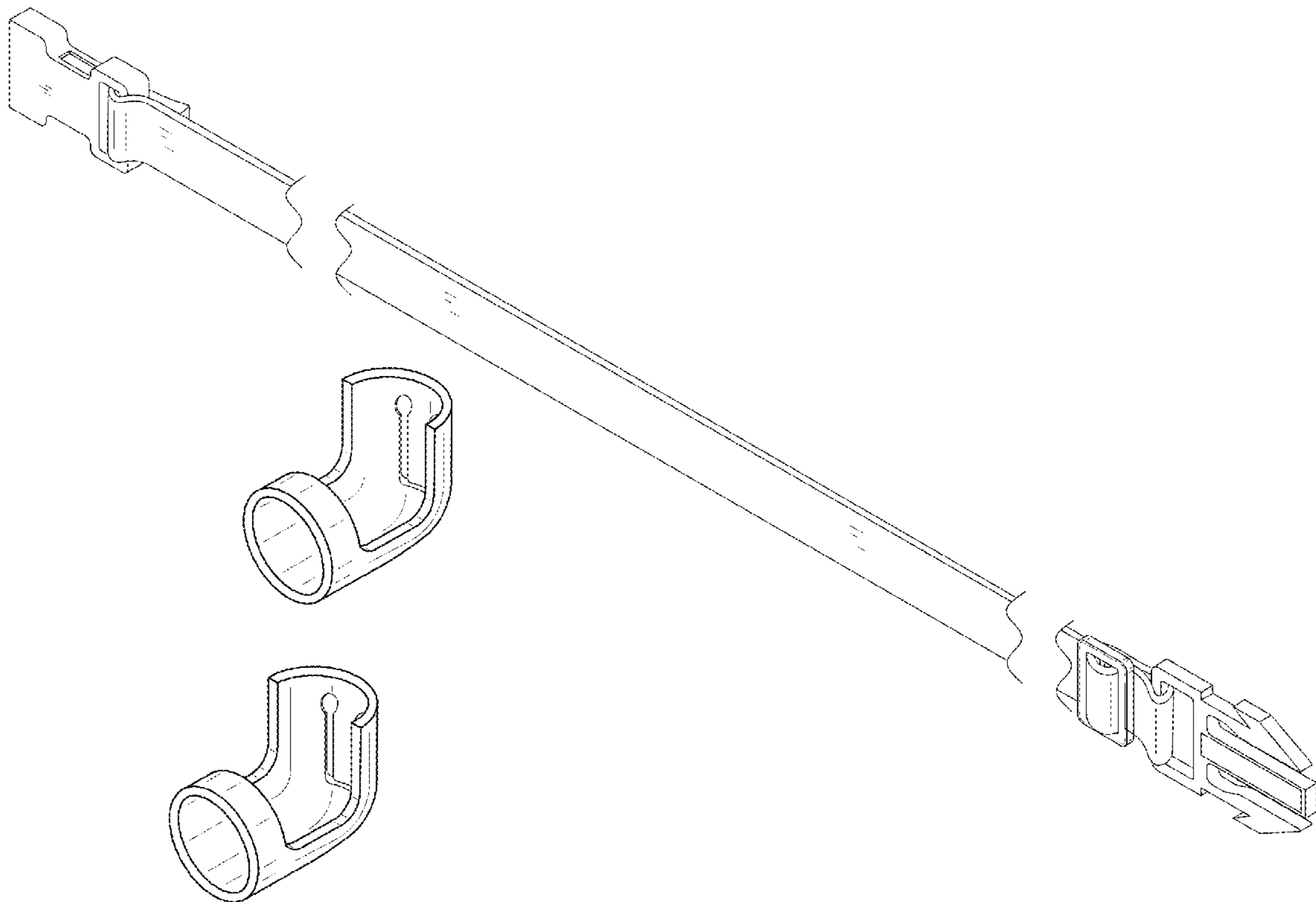
FIG. 6 is an exploded bottom view of the claimed design;

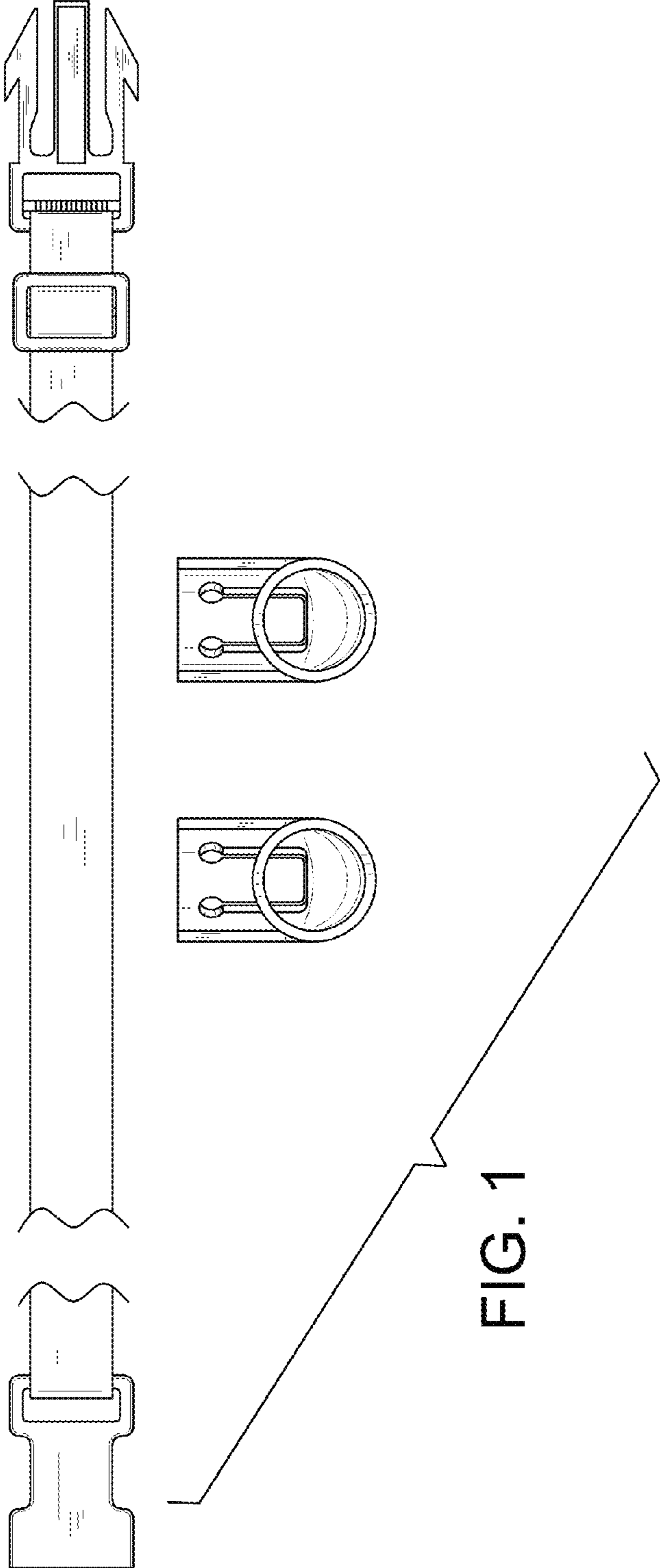
FIG. 7 is an exploded perspective view of the claimed design; and,

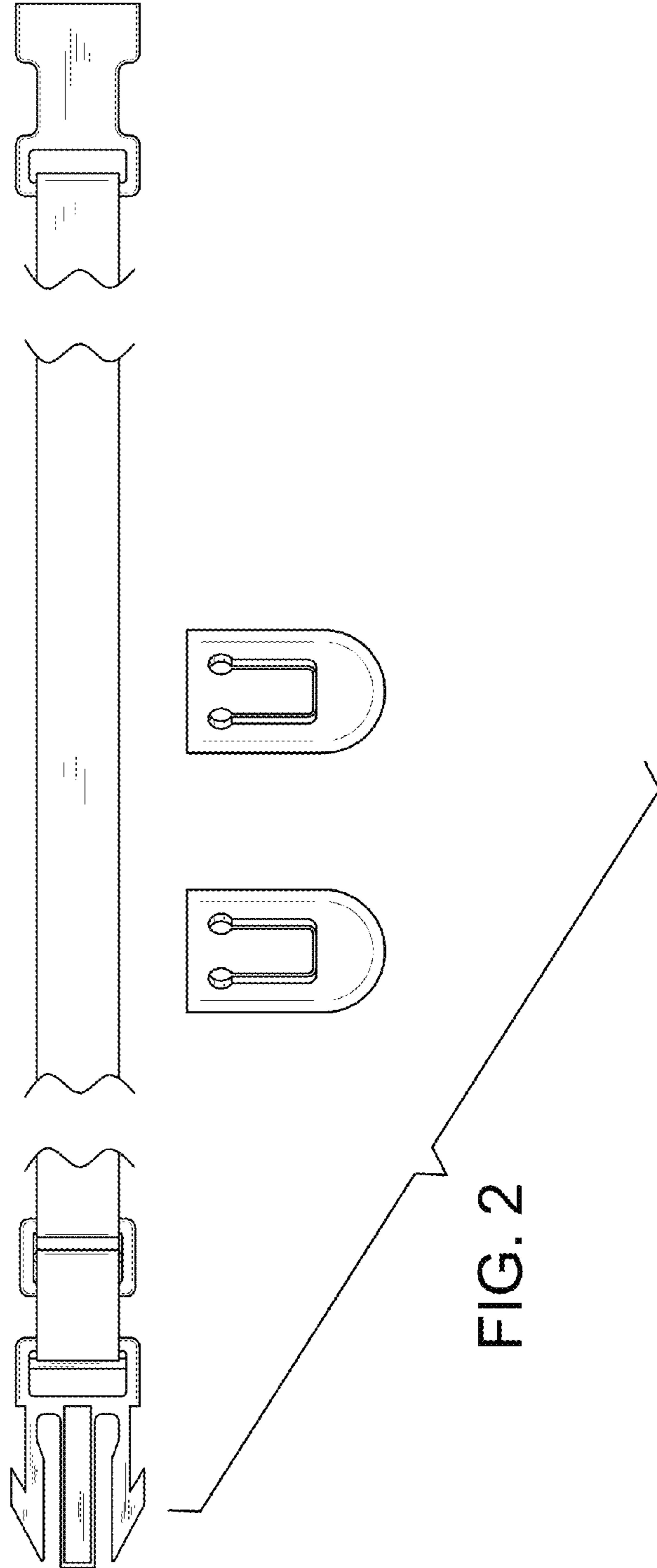
FIG. 8 is a non-exploded perspective view of the claimed design.

The belt is shown broken away to indicate indeterminate length.

1 Claim, 7 Drawing Sheets







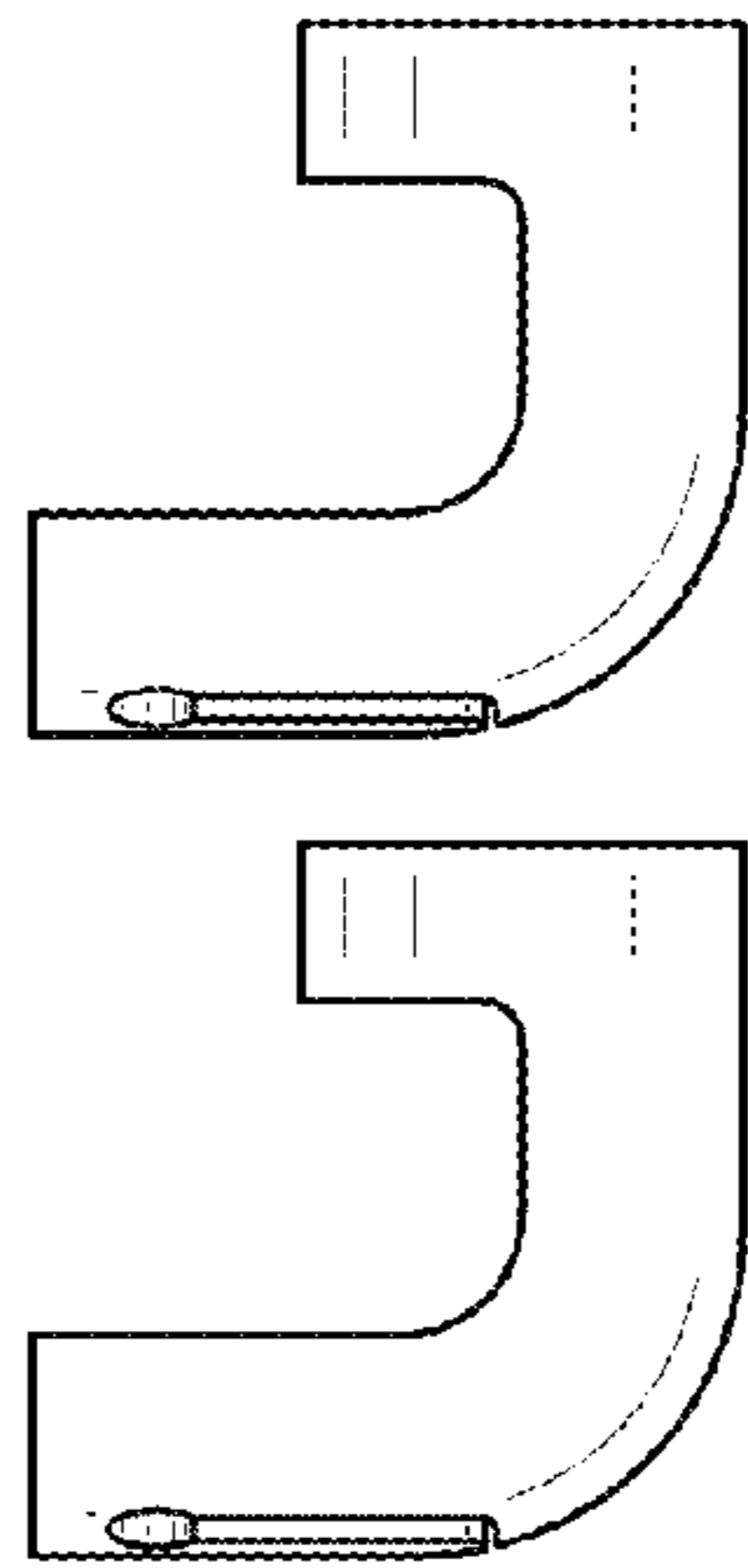
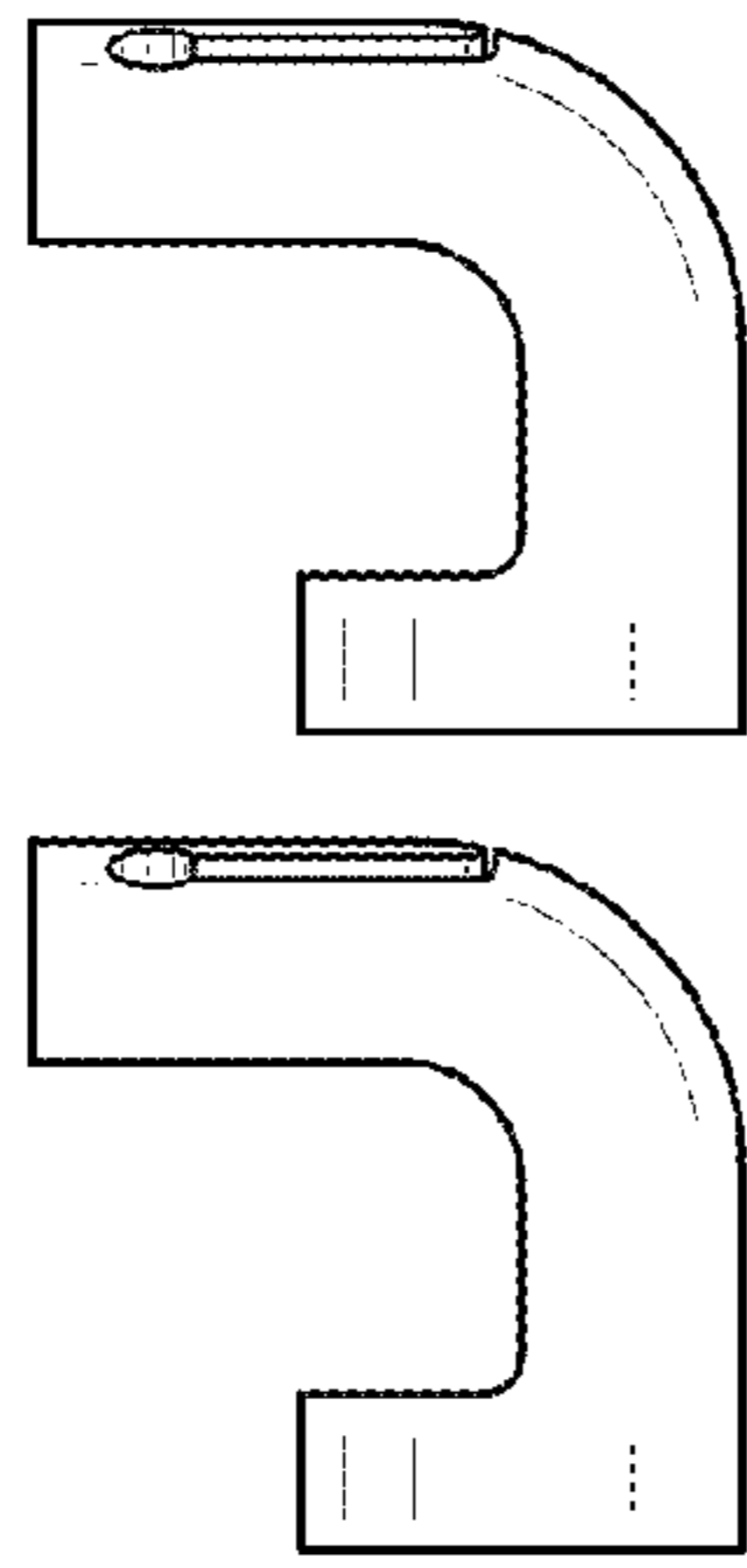
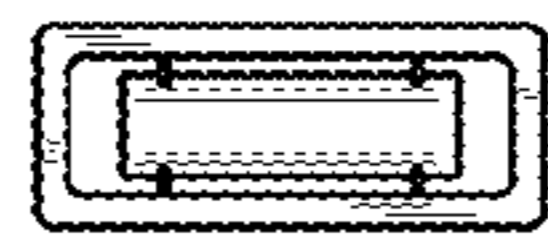
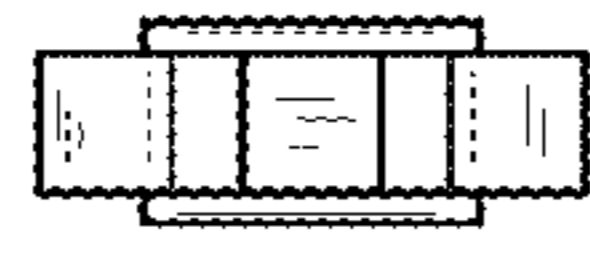


FIG. 4

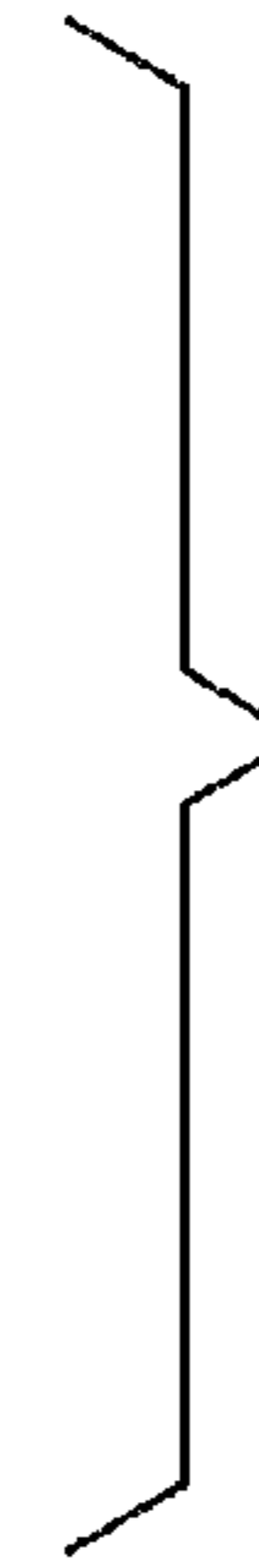
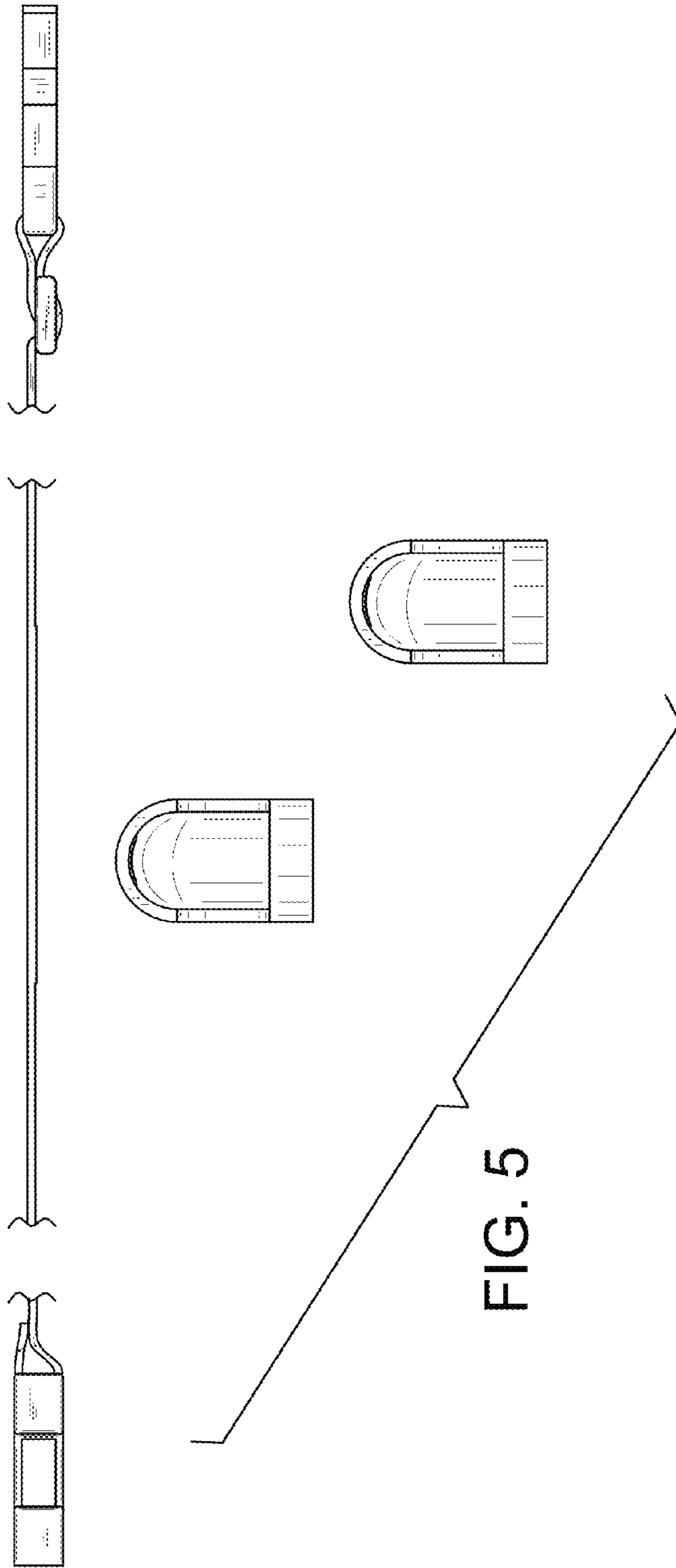
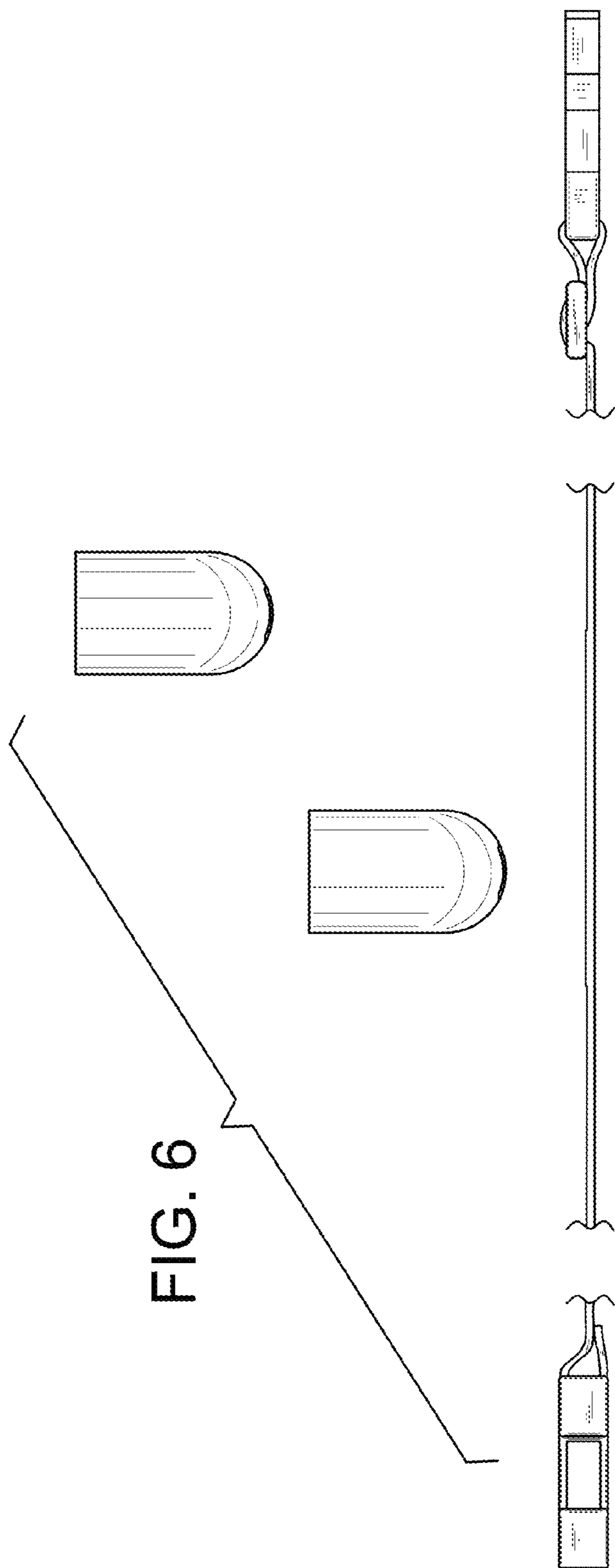


FIG. 3





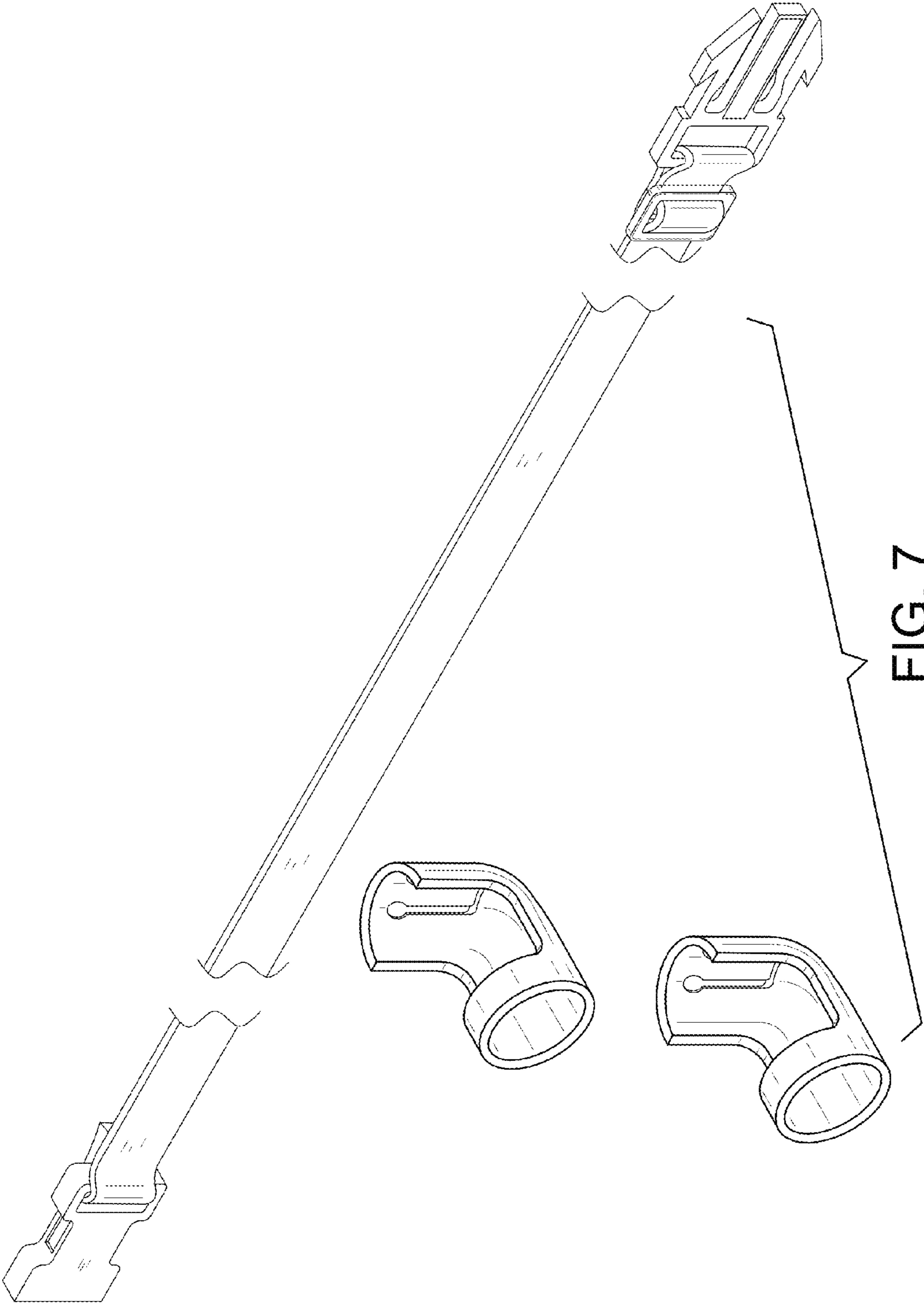


FIG. 7

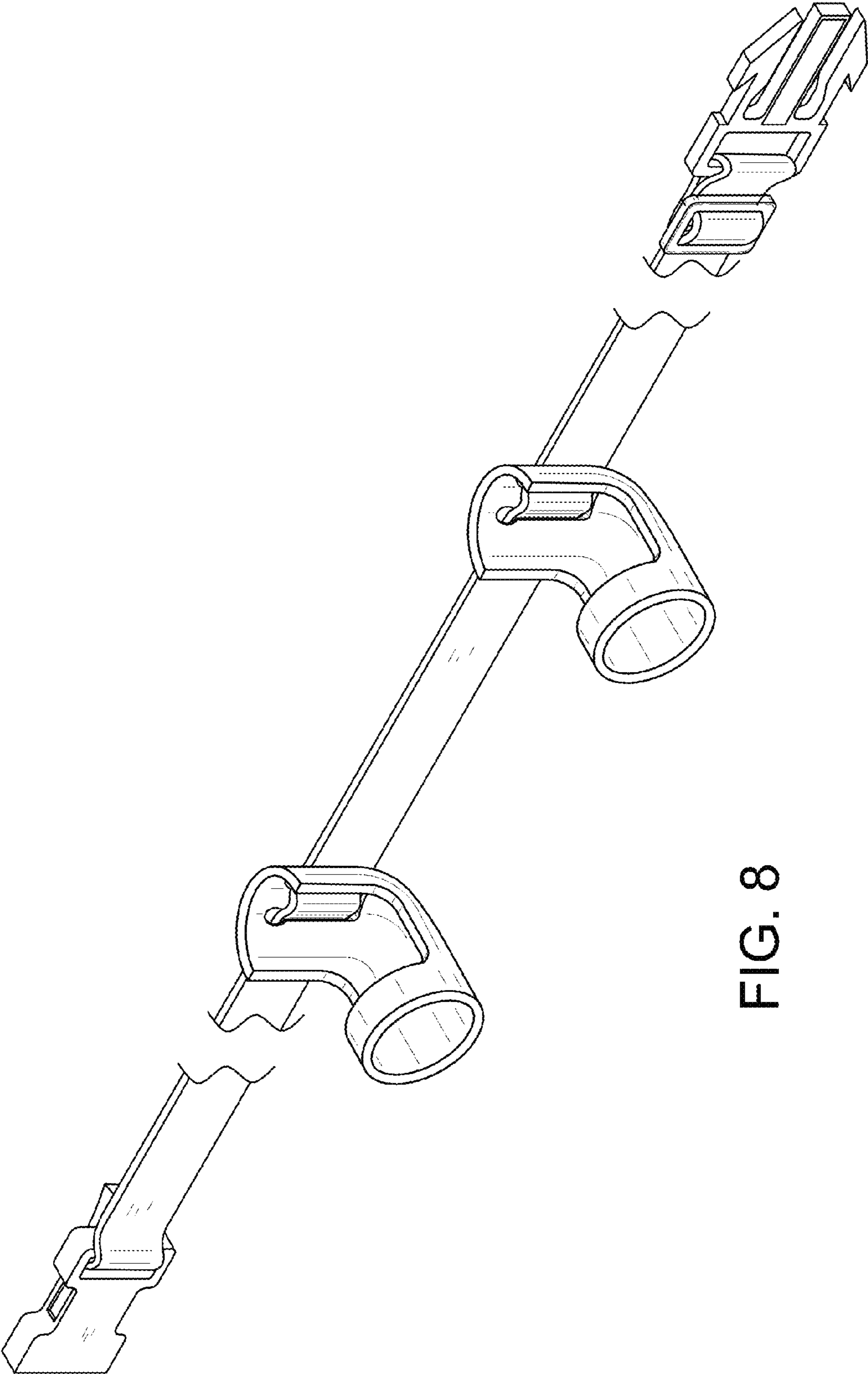


FIG. 8