



US00D707951S

(12) **United States Design Patent**
McCullagh

(10) **Patent No.:** **US D707,951 S**
(45) **Date of Patent:** **** Jul. 1, 2014**

(54) **SHOE UPPER**
(71) Applicant: **NIKE, Inc.**, Beaverton, OR (US)
(72) Inventor: **Cory B. McCullagh**, Portland, OR (US)
(73) Assignee: **NIKE, Inc.**, Beaverton, OR (US)
(**) Term: **14 Years**

D595,950 S 7/2009 Mayden
D621,147 S 8/2010 Raysse
D623,840 S * 9/2010 Hui D2/972
D625,094 S 10/2010 Raysse
D636,592 S 4/2011 Dekovic
D663,932 S 7/2012 Bacon
D689,683 S 9/2013 Caron
D692,222 S * 10/2013 Young D2/972

(21) Appl. No.: **29/483,684**
(22) Filed: **Feb. 28, 2014**
(51) **LOC (10) Cl.** **02-99**
(52) **U.S. Cl.**
USPC **D2/972**
(58) **Field of Classification Search**
USPC D2/902, 906-908, 944, 969, 972-974;
36/45, 50.1, 77 M, 77 R, 83, 88, 113,
36/114, 126-131
See application file for complete search history.

OTHER PUBLICATIONS

Nike Footwear Catalog, 1984 Shoe Show, p. 6, published Nov. 1983, NIKE, Inc., USA.
Nike Footwear Catalog, 1999 Fall: Men's and Women's Footwear, p. 45, published Nov. 1998, NIKE, Inc., USA.
Nike Footwear Catalog, 2001 Spring: Men's and Women's Footwear (black shoes), p. 2, published Jun. 2000, NIKE, Inc., USA.
Nike Footwear Catalog, 2011 Fall: Men's Sportswear Footwear, p. 2, published Nov. 2010, NIKE, Inc., USA.
Nike Footwear Catalog, 2011 Holiday: Women's Sportswear Footwear, p. 7, published date unknown, but prior to the filing date of the present application, NIKE, Inc., USA.

* cited by examiner

(56) **References Cited**

U.S. PATENT DOCUMENTS

D361,884 S 9/1995 Lozano
D383,296 S * 9/1997 Rask D2/972
D407,548 S * 4/1999 Holmes D2/972
D414,599 S * 10/1999 Doxey D2/972
D425,694 S 5/2000 Fogg
D427,759 S * 7/2000 Hlavacs D2/972
D428,693 S 8/2000 Hlavacs
D431,899 S * 10/2000 Cooper D2/972
D432,775 S * 10/2000 McDowell D2/972
D461,304 S * 8/2002 Clegg D2/972
D498,909 S * 11/2004 Patt D2/972
D504,562 S * 5/2005 Kuerbis D2/972
D515,299 S 2/2006 Burg
D523,222 S * 6/2006 Savage D2/972
D523,223 S 6/2006 Lotti
D544,198 S 6/2007 Caine
D545,557 S 7/2007 Caine
D586,110 S 2/2009 Lotti
D587,000 S 2/2009 Avar

Primary Examiner — Dominic Simone

(74) *Attorney, Agent, or Firm* — Banner & Witcoff, Ltd.

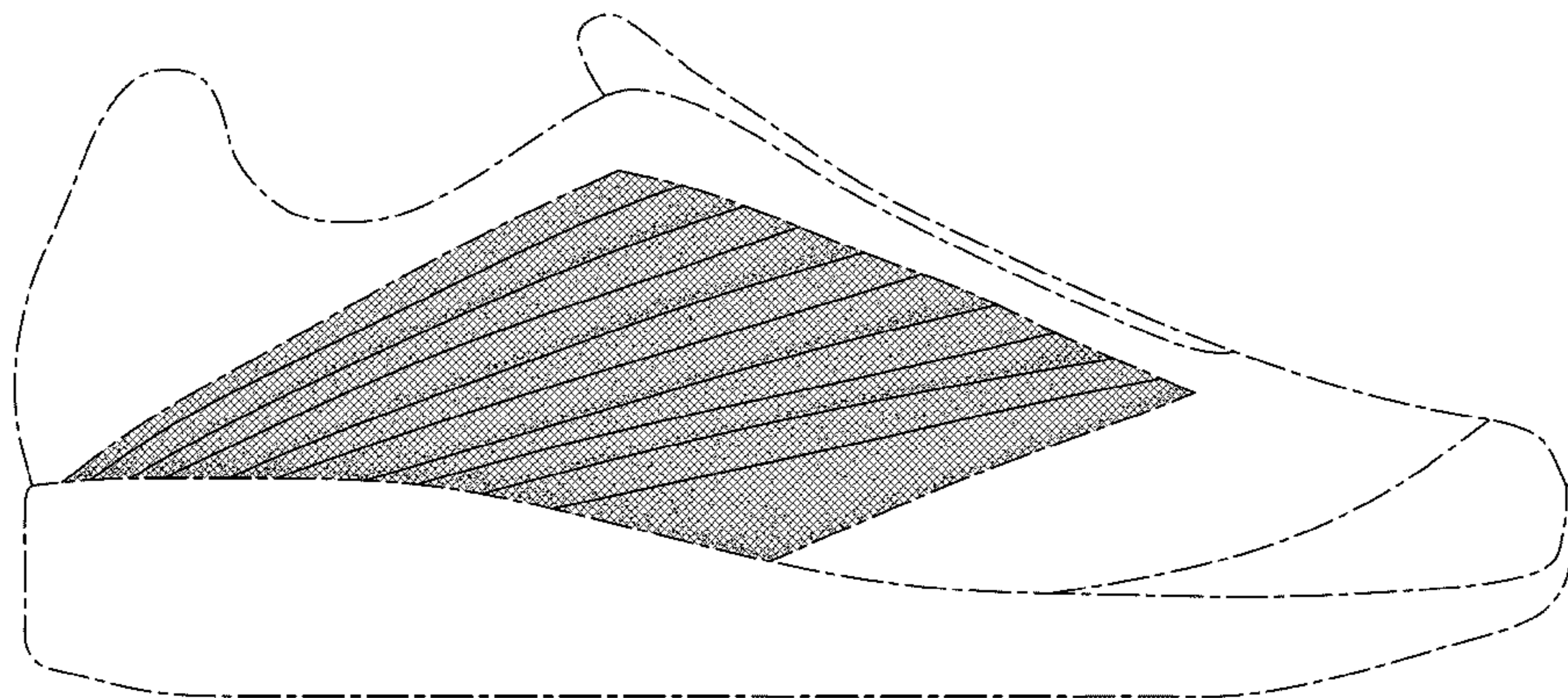
(57) **CLAIM**

The ornamental design for a shoe upper, as shown and described.

DESCRIPTION

FIG. 1 is a front perspective view of a shoe upper showing my new design;
FIG. 2 is a side view thereof; and,
FIG. 3 is a rear perspective view thereof.
The broken lines immediately adjacent to the shaded area represent unclaimed boundaries of the design. The broken lines showing the remainder of the shoe are for environmental purposes only and form no part of the claimed design.

1 Claim, 3 Drawing Sheets



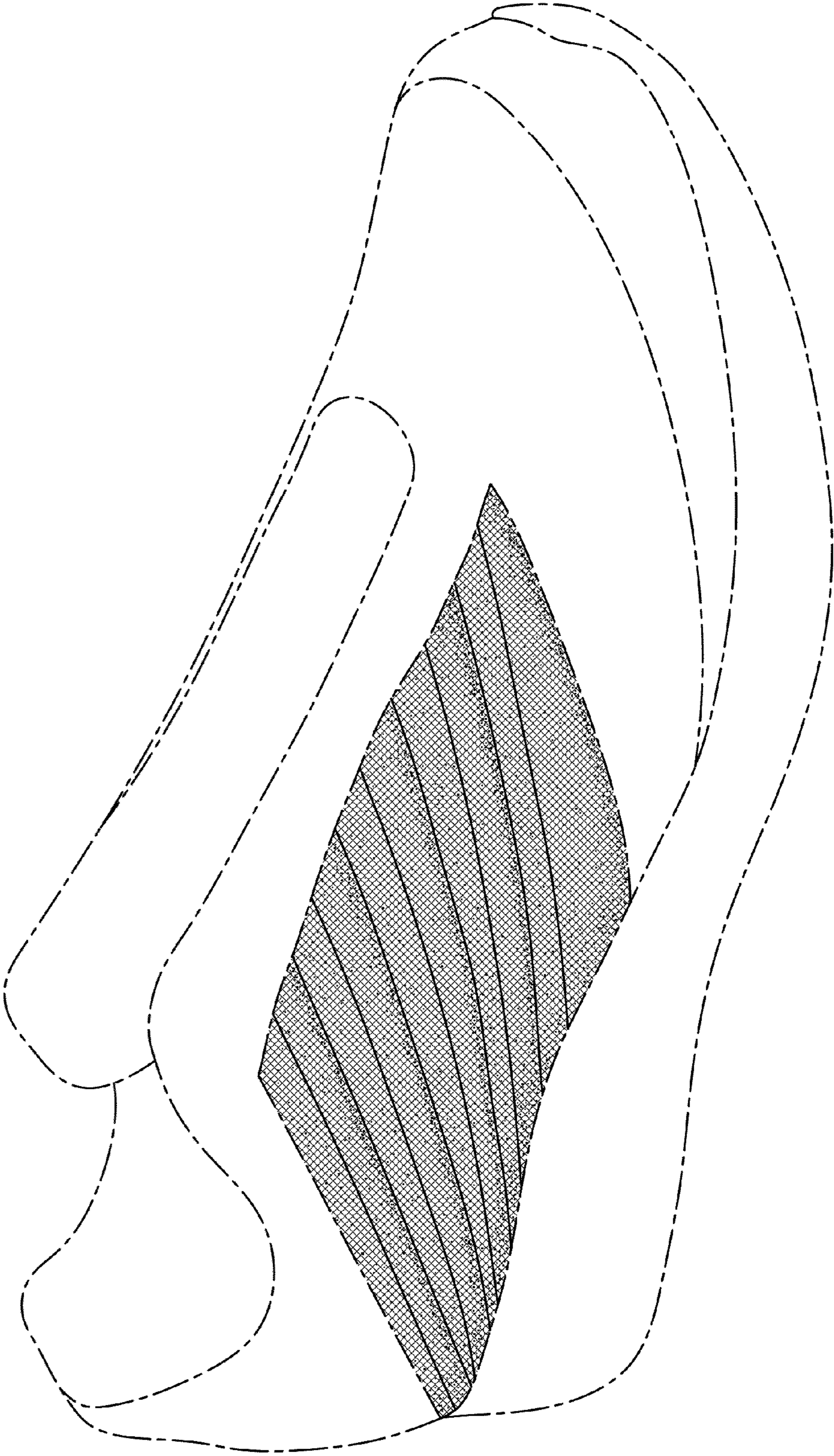


FIG. 1

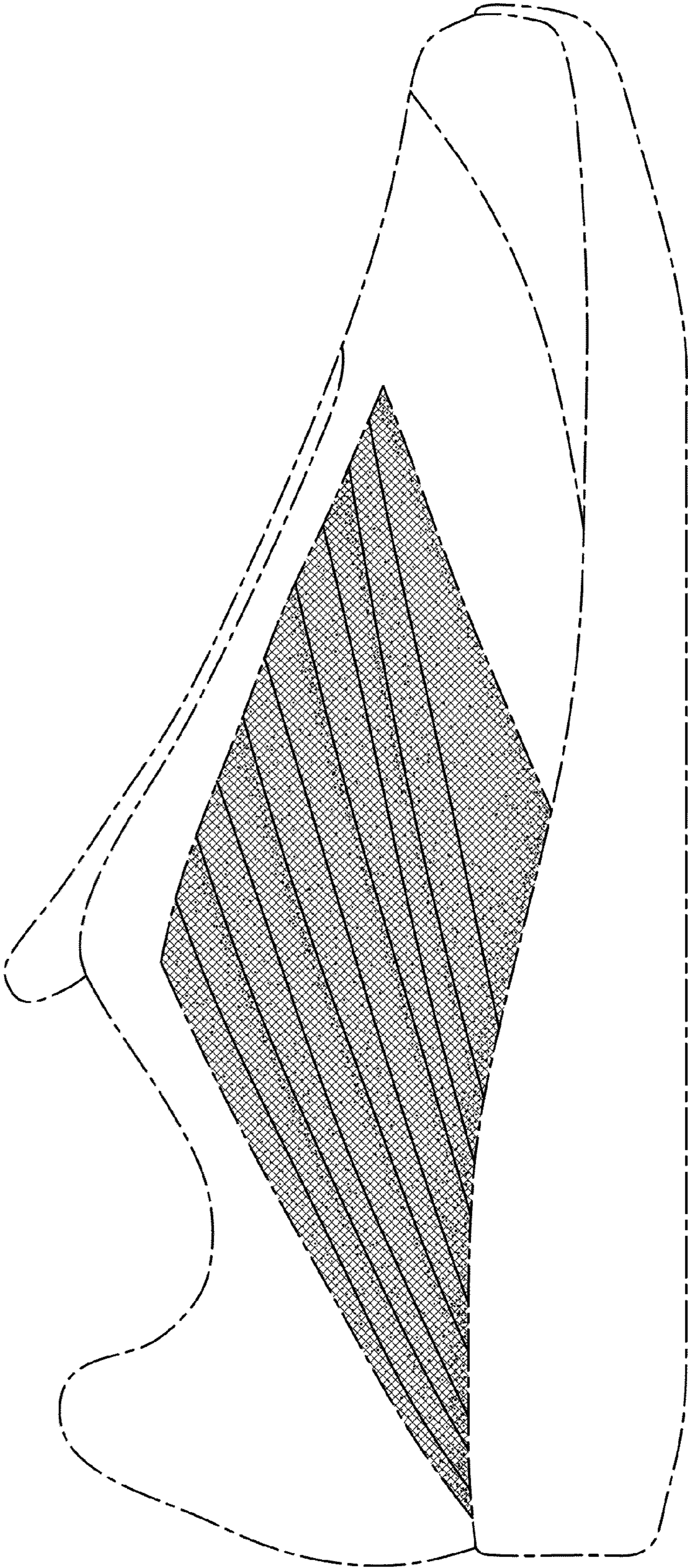


FIG. 2

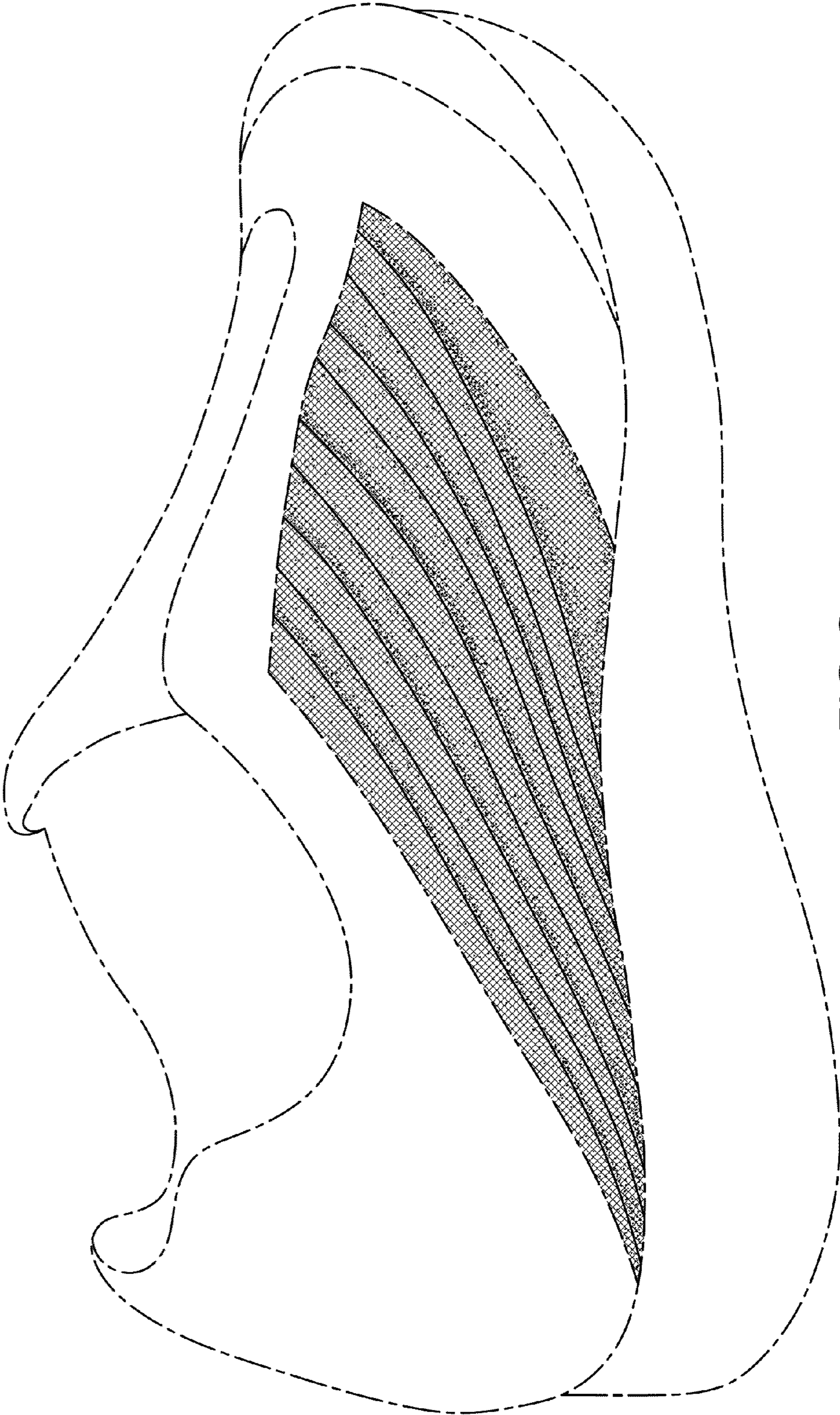


FIG. 3