



US00D707940S

(12) **United States Design Patent**  
**Lonigan**

(10) **Patent No.:** **US D707,940 S**  
(45) **Date of Patent:** **\*\* Jul. 1, 2014**

(54) **FOOTWEAR**

(75) Inventor: **William Travis Lonigan**, Portland, OR (US)

(73) Assignee: **Columbia Sportswear North America, Inc.**, Portland, OR (US)

(\*\*) Term: **14 Years**

(21) Appl. No.: **29/420,624**

(22) Filed: **May 10, 2012**

(51) **LOC (10) Cl.** ..... **02-99**

(52) **U.S. Cl.**  
USPC ..... **D2/969**

(58) **Field of Classification Search**  
USPC ..... D2/902, 903, 906-908, 946, 969,  
D2/972-974; 36/45, 50.1, 77 M, 77 R, 83,  
36/88, 113, 114, 126-131  
See application file for complete search history.

(56) **References Cited**

**U.S. PATENT DOCUMENTS**

D253,017 S *	10/1979	Marchesi	.....	D2/907
D380,077 S *	6/1997	Preskar et al.	.....	D2/969
D380,081 S *	6/1997	Gerber	.....	D2/972
D380,888 S *	7/1997	McDonald	.....	D2/907
D382,993 S *	9/1997	Clegg et al.	.....	D2/972
D385,043 S *	10/1997	Worthington	.....	D2/972
D385,989 S *	11/1997	Feller	.....	D2/969
D387,885 S *	12/1997	Fogg	.....	D2/972
D388,950 S *	1/1998	Hewett et al.	.....	D2/969

D391,068 S *	2/1998	Aveni et al.	.....	D2/972
D395,944 S *	7/1998	Avar	.....	D2/972
D480,545 S *	10/2003	Matis et al.	.....	D2/969
D485,427 S *	1/2004	Akhidime	.....	D2/969
D487,336 S *	3/2004	Matis	.....	D2/969
D501,071 S *	1/2005	Balley et al.	.....	D2/969
D539,016 S *	3/2007	Matis et al.	.....	D2/969
D593,302 S *	6/2009	St-Louis et al.	.....	D2/969
D593,305 S *	6/2009	St-Louis et al.	.....	D2/969
D593,310 S *	6/2009	St-Louis et al.	.....	D2/969
D624,742 S *	10/2010	Akhidime	.....	D2/969
D643,610 S *	8/2011	Yi	.....	D2/969

\* cited by examiner

*Primary Examiner* — Dominic Simone

(74) *Attorney, Agent, or Firm* — Schwabe, Williamson & Wyatt

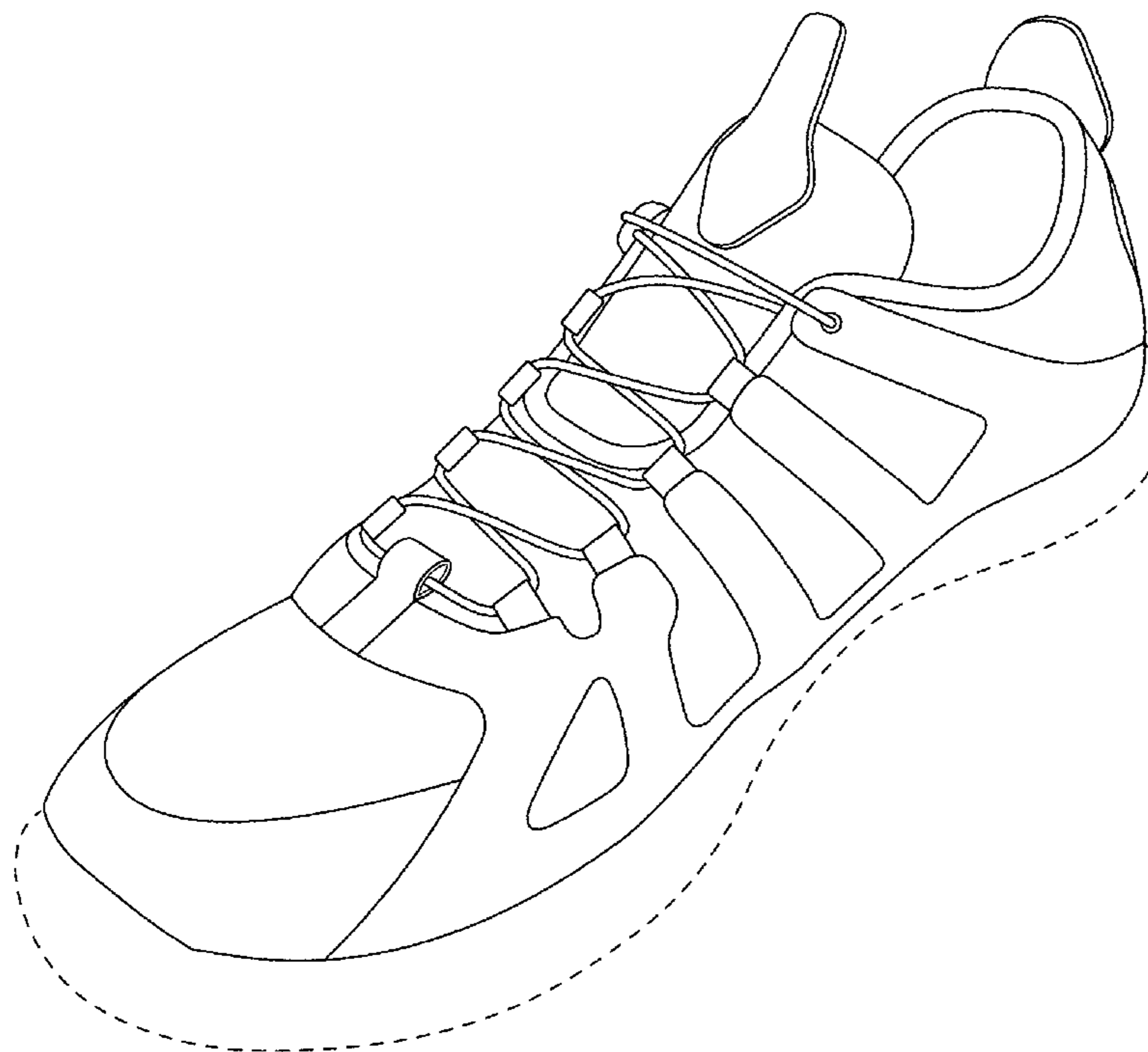
(57) **CLAIM**

I claim the ornamental design for footwear, as shown and described.

**DESCRIPTION**

FIG. 1 is a perspective view of footwear, showing my new design;  
FIG. 2 is a left side view thereof;  
FIG. 3 is a right side view thereof;  
FIG. 4 is a top view thereof;  
FIG. 5 is a bottom view thereof;  
FIG. 6 is a front view thereof; and,  
FIG. 7 is a back view thereof.  
The dashed lines are included for illustrating environmental structure and form no part of the claimed design.

**1 Claim, 6 Drawing Sheets**



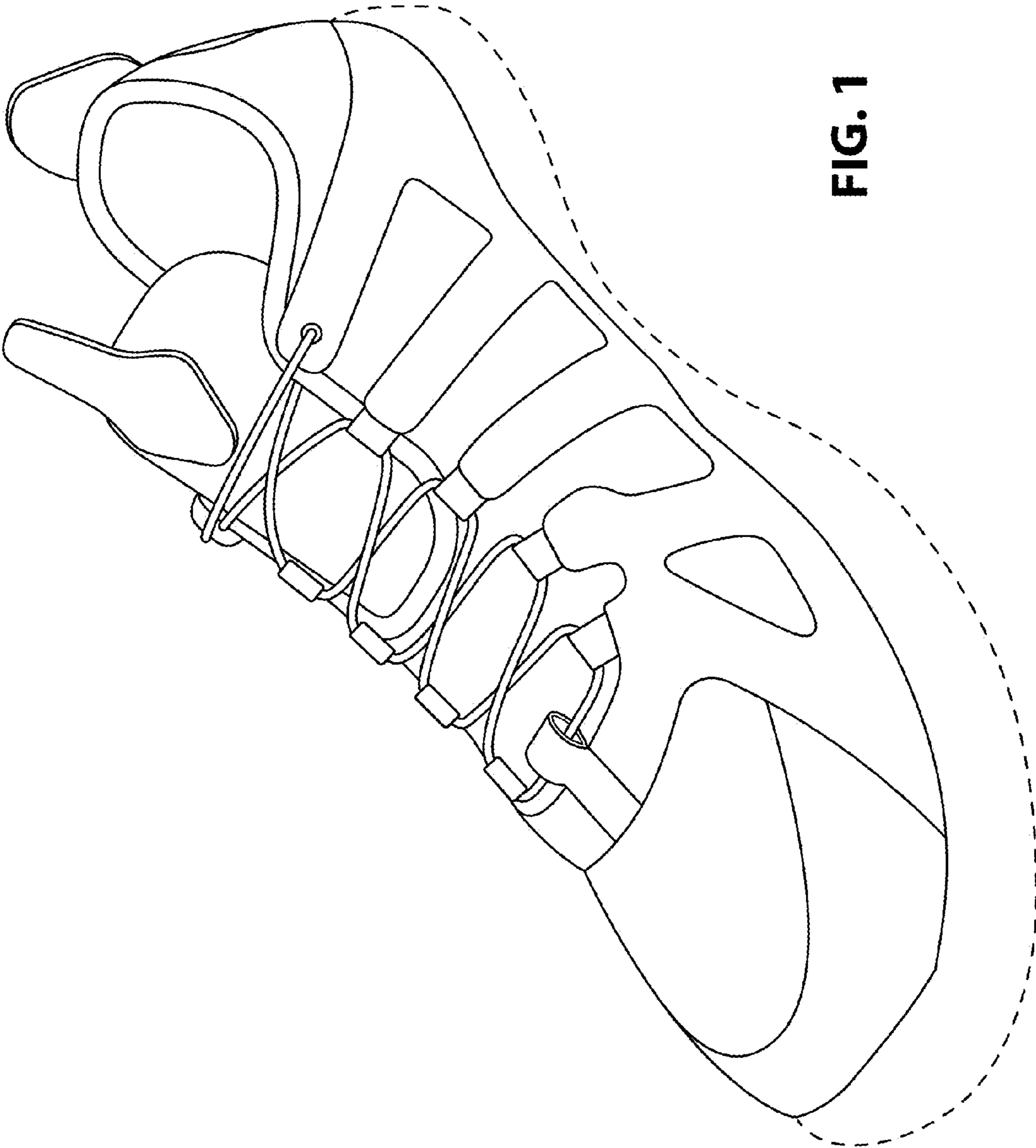


FIG. 1

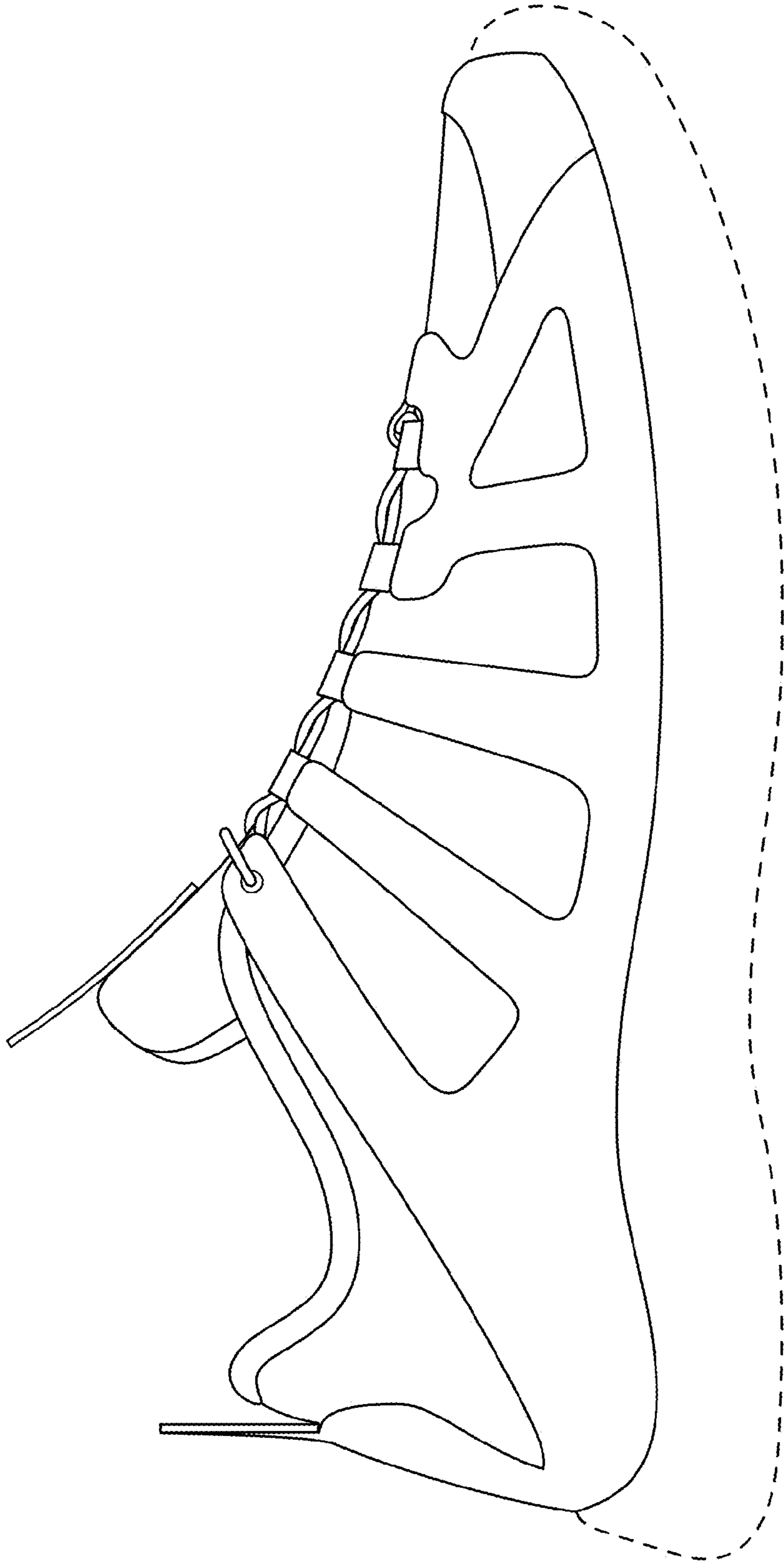


FIG. 2

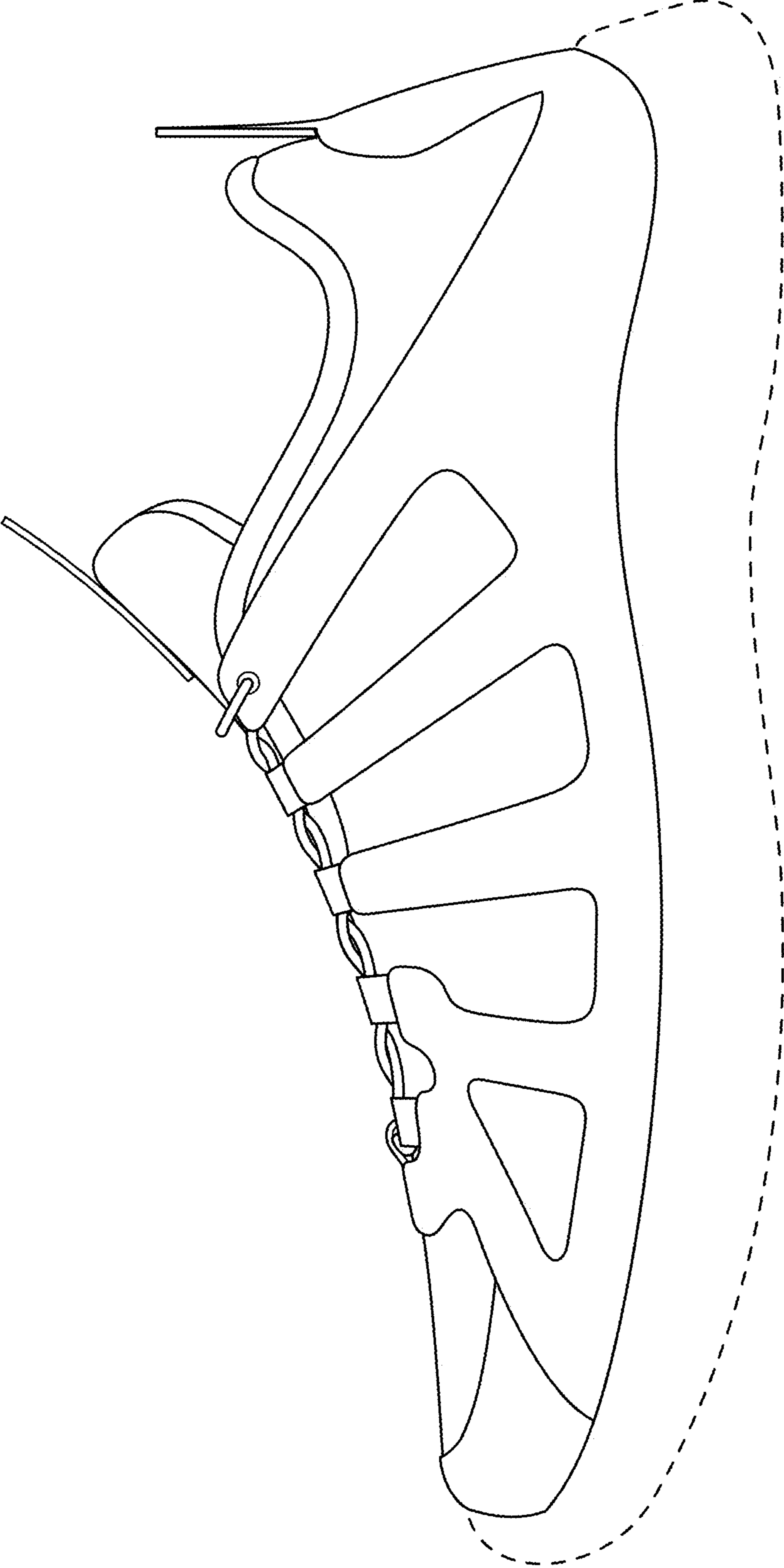


FIG. 3

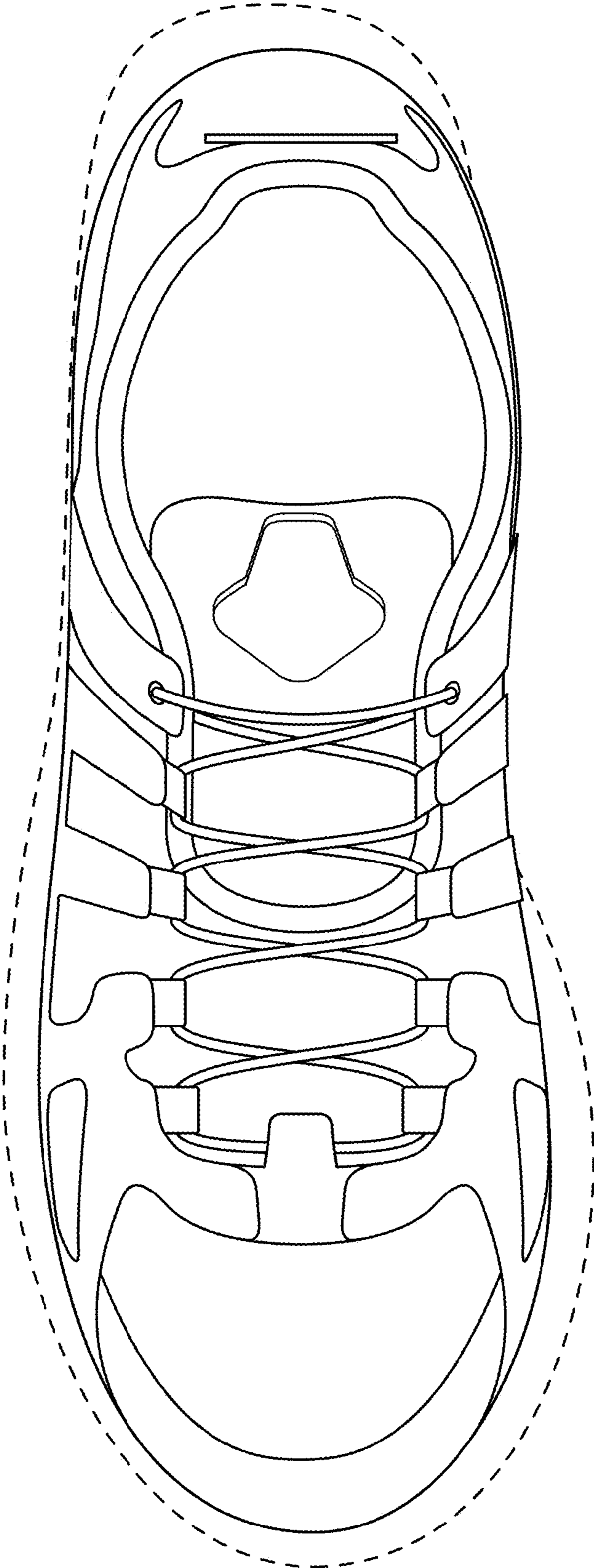
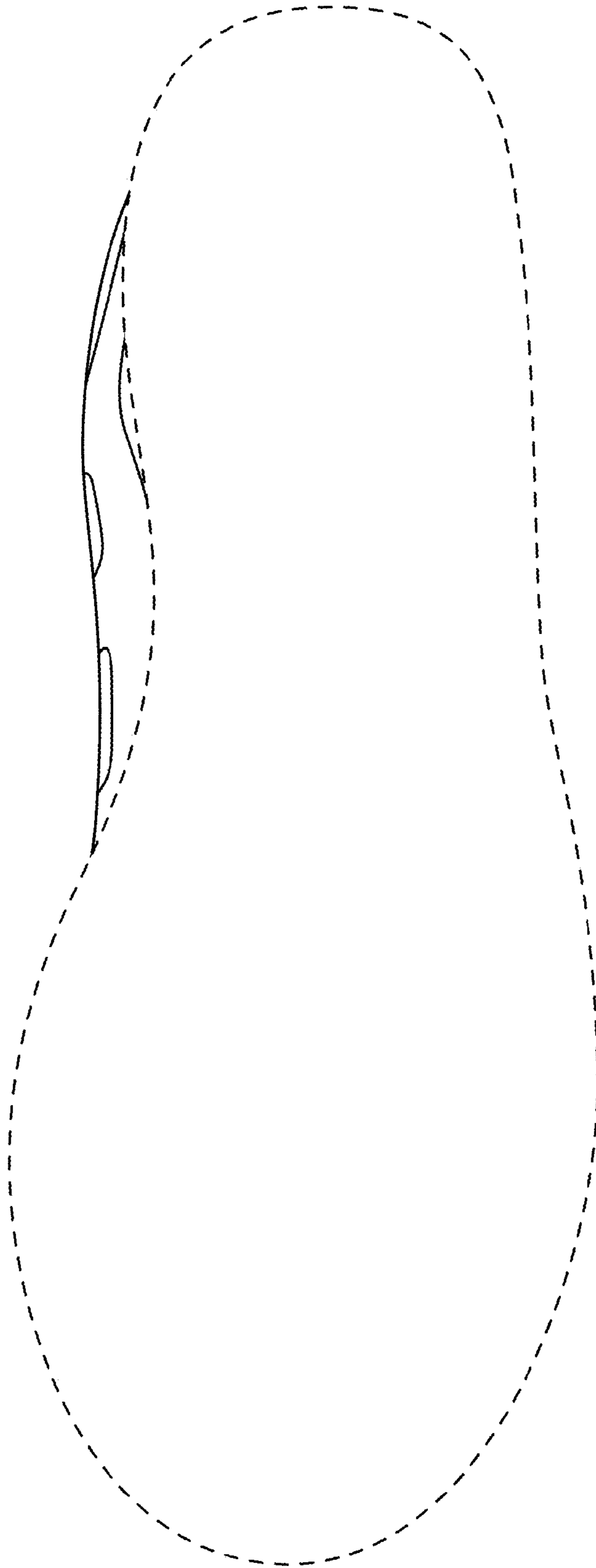


FIG. 4



**FIG. 5**



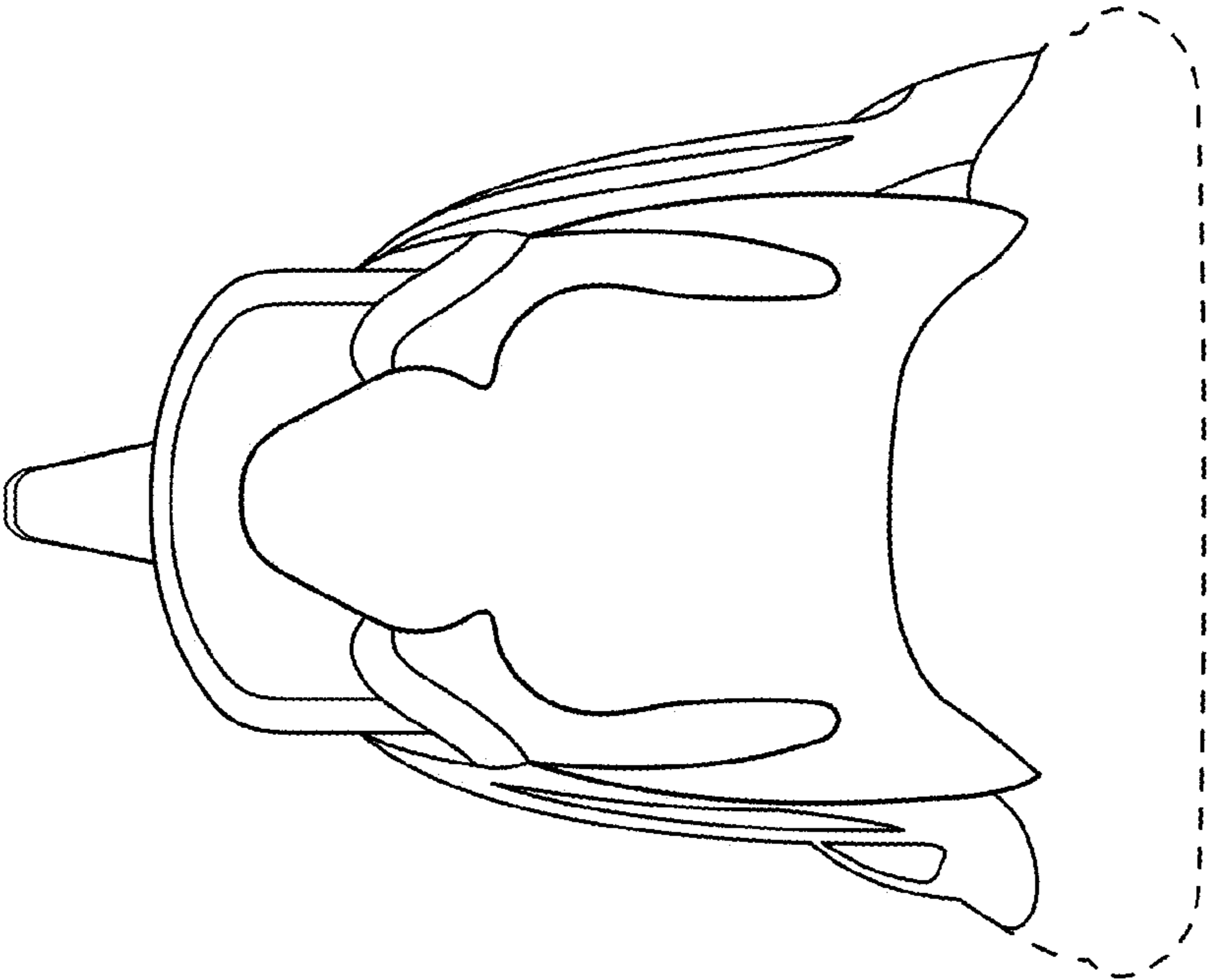


FIG. 7

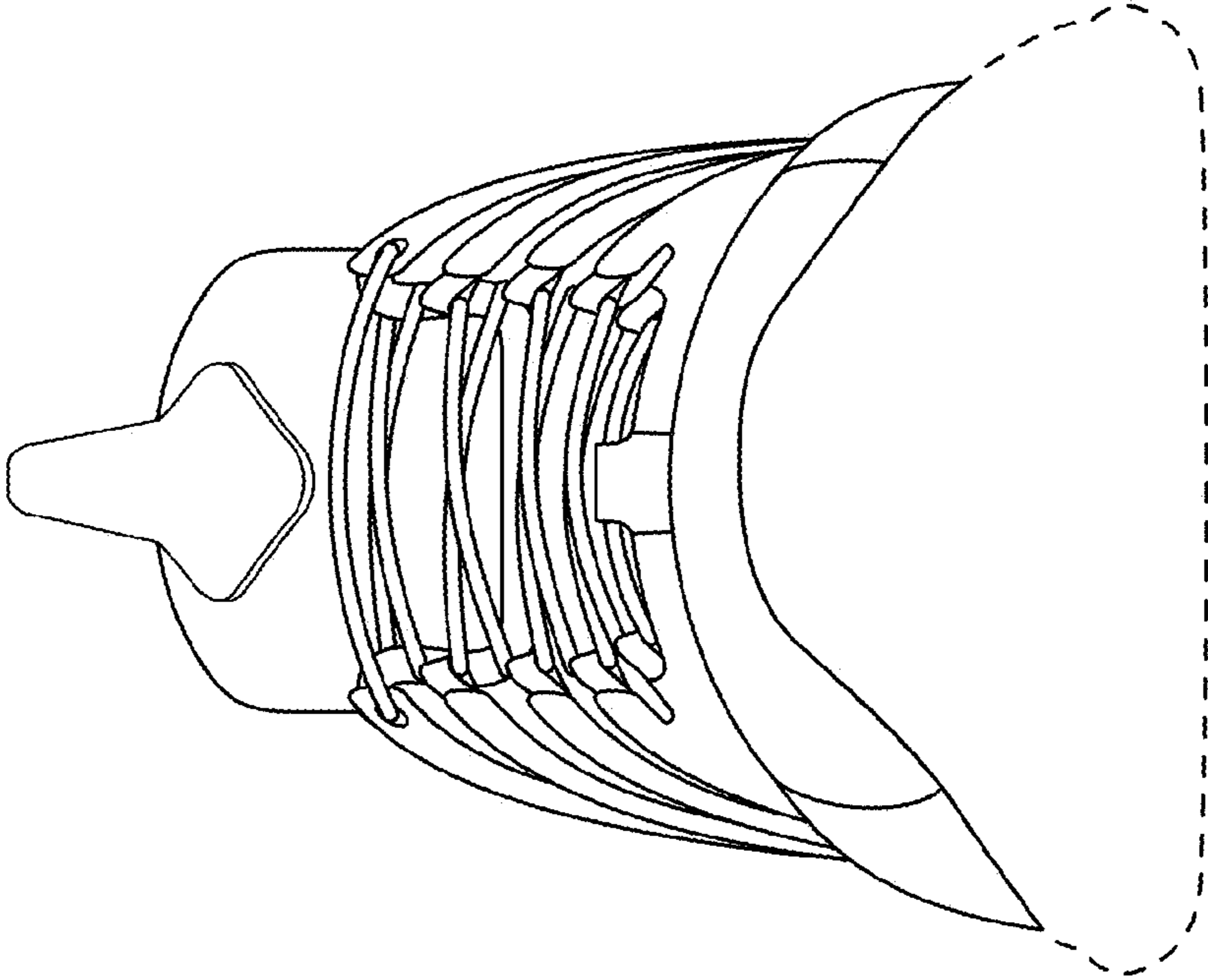


FIG. 6