



US00D707930S

(12) **United States Design Patent**  
**Raysse**

(10) **Patent No.:** **US D707,930 S**  
(45) **Date of Patent:** **\*\* Jul. 1, 2014**

(54) **SHOE PERIPHERY AND BOTTOM**

(71) Applicant: **Skechers U.S.A., Inc. II**, Manhattan Beach, CA (US)

(72) Inventor: **David Raysse**, Los Angeles, CA (US)

(73) Assignee: **Skechers U.S.A., Inc. II**, Manhattan Beach, CA (US)

(\*\*) Term: **14 Years**

(21) Appl. No.: **29/479,926**

(22) Filed: **Jan. 21, 2014**

(51) **LOC (10) Cl.** ..... **02-04**

(52) **U.S. Cl.**

USPC ..... **D2/954**; D2/951; D2/955; D2/960

(58) **Field of Classification Search**

CPC ..... A43B 13/00; A43B 13/02; A43B 13/023; A43B 13/026; A43B 13/04; A43B 13/08; A43B 13/10; A43B 13/12; A43B 13/14; A43B 13/141; A43B 13/143; A43B 13/16; A43B 13/18; A43B 13/181; A43B 13/187; A43B 13/189; A43B 13/20; A43B 13/223; A43B 13/24; A43B 13/28; A43B 13/30; A43B 13/32; A43B 13/36

USPC ..... D2/902, 906, 908, 916, 918, 925, D2/946-962, 977; 36/3 B, 22 R, 24.5, 25 R, 36/28, 32 R, 34 R, 59 C, 67 A, 103

See application file for complete search history.

(56) **References Cited**

**U.S. PATENT DOCUMENTS**

D73,143 S 7/1927 Oakley  
D81,915 S 9/1930 Burchfield  
2,090,881 A \* 8/1937 Wilson ..... 36/29  
D200,846 S 4/1965 Bovay  
D201,865 S 8/1965 Bingham, Jr. et al.

D205,280 S 7/1966 Wolf  
D237,426 S 11/1975 Thornberry  
D237,427 S 11/1975 Thornberry  
D239,479 S 4/1976 Senter  
D241,988 S \* 10/1976 Famolare ..... D2/955  
D245,732 S 9/1977 Askew  
D247,267 S 2/1978 Dolinsky

(Continued)

*Primary Examiner* — T. Chase Nelson

(74) *Attorney, Agent, or Firm* — Marshall A. Lerner; Marvin H. Kleinberg; Kleinberg & Lerner, LLP

(57) **CLAIM**

The ornamental design for a shoe periphery and bottom, as shown and described.

**DESCRIPTION**

FIG. 1 is a perspective view of a first exemplary embodiment of a shoe periphery and bottom in accordance with my new design.

FIG. 2 is a left side view thereof;

FIG. 3 is a right side view thereof;

FIG. 4 is a top plan view thereof;

FIG. 5 is a bottom plan view thereof;

FIG. 6 is a rear elevation view thereof; and

FIG. 7 is a front elevation view thereof.

FIG. 8 is a perspective view of a second exemplary embodiment of a shoe periphery and bottom in accordance with my new design.

FIG. 9 is a left side view thereof;

FIG. 10 is a right side view thereof;

FIG. 11 is a top plan view thereof;

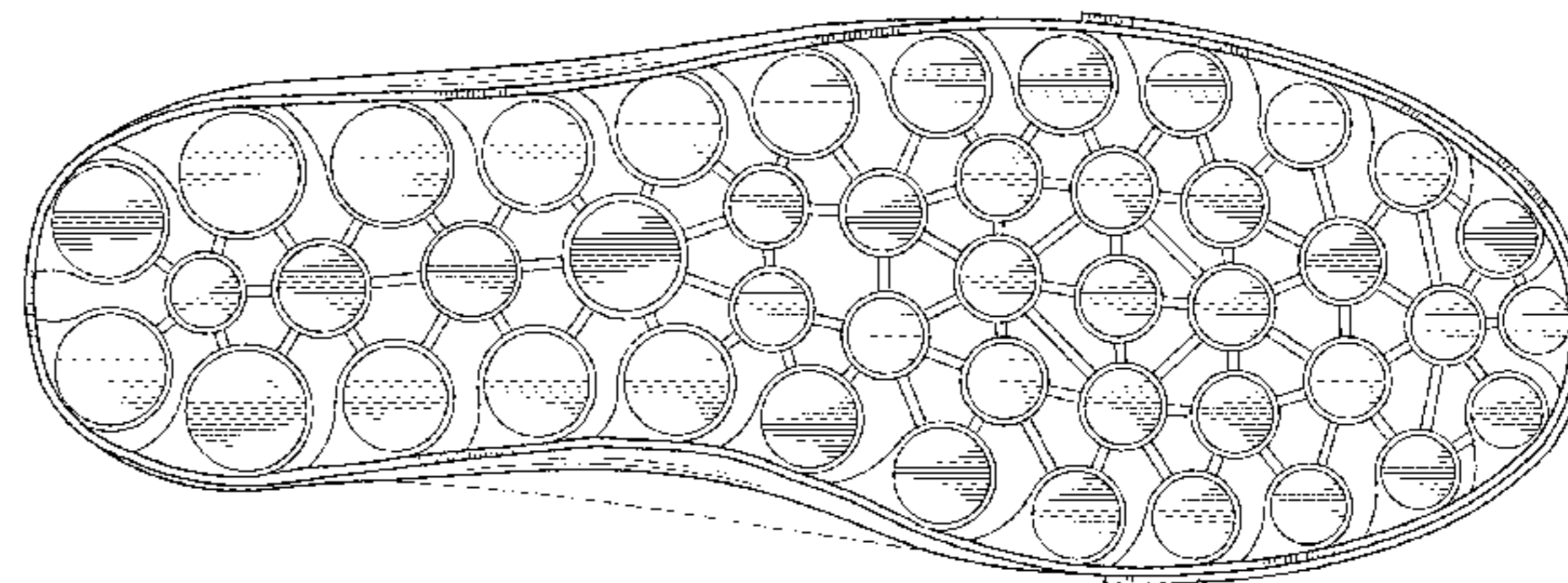
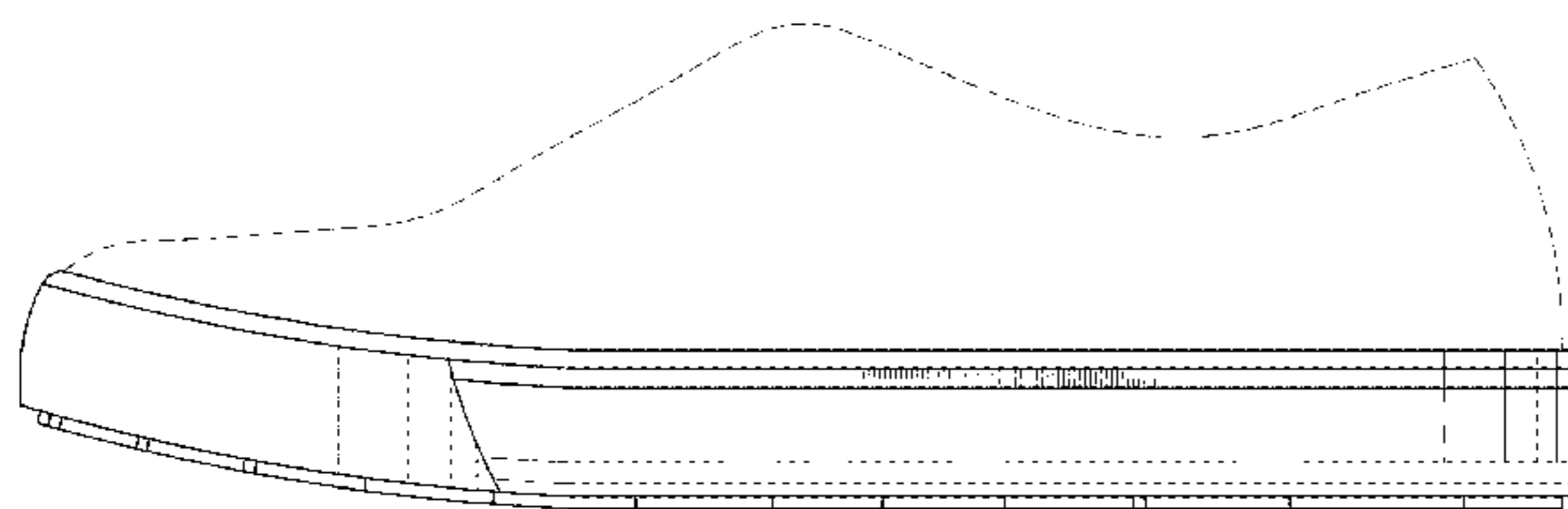
FIG. 12 is a bottom plan view thereof;

FIG. 13 is a rear elevation view thereof; and,

FIG. 14 is a front elevation view thereof.

Broken lines showing the remainder of the shoe in the figures are for illustrative purposes only and form no part of the claimed invention.

**1 Claim, 12 Drawing Sheets**



(56)

References Cited

U.S. PATENT DOCUMENTS

D248,192 S *	6/1978	Stevenson	.....	D2/908	D551,840 S	10/2007	Avar	
D248,193 S	6/1978	Edmonds			D554,356 S	11/2007	Avar	
D263,348 S *	3/1982	Cohen	.....	D2/954	D561,452 S	2/2008	Belley et al.	
D265,019 S	6/1982	Vermonet			D563,631 S	3/2008	Dolce et al.	
D266,372 S	10/1982	Stubblefield			D577,180 S	9/2008	Della Valle	
D296,149 S	6/1988	Diaz			D578,283 S	10/2008	Duffy	
D296,150 S	6/1988	Diaz			D579,184 S	10/2008	Challe et al.	
D296,384 S	6/1988	Tong			D611,230 S	3/2010	Choi	
D297,885 S	10/1988	Tong			D611,240 S	3/2010	Choi	
D298,084 S	10/1988	McCrea et al.			D616,637 S	6/2010	Taestensen	
D299,185 S	1/1989	Selbiger			D646,872 S	10/2011	Rasmussen	
D303,039 S	8/1989	Kelley et al.			D652,614 S *	1/2012	Raysse	..... D2/954
D303,316 S	9/1989	Crowley			D655,485 S	3/2012	Spring	
D304,259 S	10/1989	Nakano			D656,720 S	4/2012	Wawrousek	
D304,390 S	11/1989	Nakano			D659,366 S	5/2012	Madvin	
D304,520 S	11/1989	Clark			D661,077 S	6/2012	Lee	
D304,521 S	11/1989	Clark			D661,882 S *	6/2012	Raysse	..... D2/954
D331,491 S	12/1992	Ohno			D662,295 S *	6/2012	Raysse	..... D2/954
D369,672 S	5/1996	Tanaka et al.			D662,698 S	7/2012	Pulli et al.	
D395,156 S	6/1998	Adam			D662,700 S	7/2012	Raysse	
D398,746 S	9/1998	Rask			D666,795 S	9/2012	Shaffer	
D408,976 S	5/1999	Shanks, Jr. et al.			D667,618 S	9/2012	Raysse	
D412,238 S	7/1999	Greenberg			D677,454 S	3/2013	Pizzuti	
D414,920 S	10/1999	Cahill			D679,488 S	4/2013	Raysse	
D442,357 S	5/2001	Burt			D680,312 S *	4/2013	Raysse	..... D2/954
D452,606 S	1/2002	Lozano			D680,720 S	4/2013	Smith et al.	
D452,769 S	1/2002	Jacobs			D680,727 S	4/2013	Smith et al.	
D467,060 S	12/2002	Randesi et al.			D683,937 S	6/2013	Raysse	
D475,843 S	6/2003	Miller			D683,941 S	6/2013	Raysse	
D478,714 S	8/2003	Recchi			D684,756 S	6/2013	Dekovic	
D494,357 S	8/2004	Del Biondi			D685,566 S	7/2013	Pope	
D497,705 S	11/2004	Turner			D685,984 S	7/2013	Raysse	
D498,349 S *	11/2004	Adams et al.	.....	D2/954	D693,551 S	11/2013	Montross et al.	
D502,593 S	3/2005	McClaskie			D698,137 S *	1/2014	Carr	..... D2/961
D524,017 S	7/2006	Burg			2011/0138654 A1 *	6/2011	Cook et al.	..... 36/29
					2013/0212909 A1 *	8/2013	Bates et al.	..... 36/102
					2014/0013617 A1 *	1/2014	Montross et al.	..... 36/28

\* cited by examiner

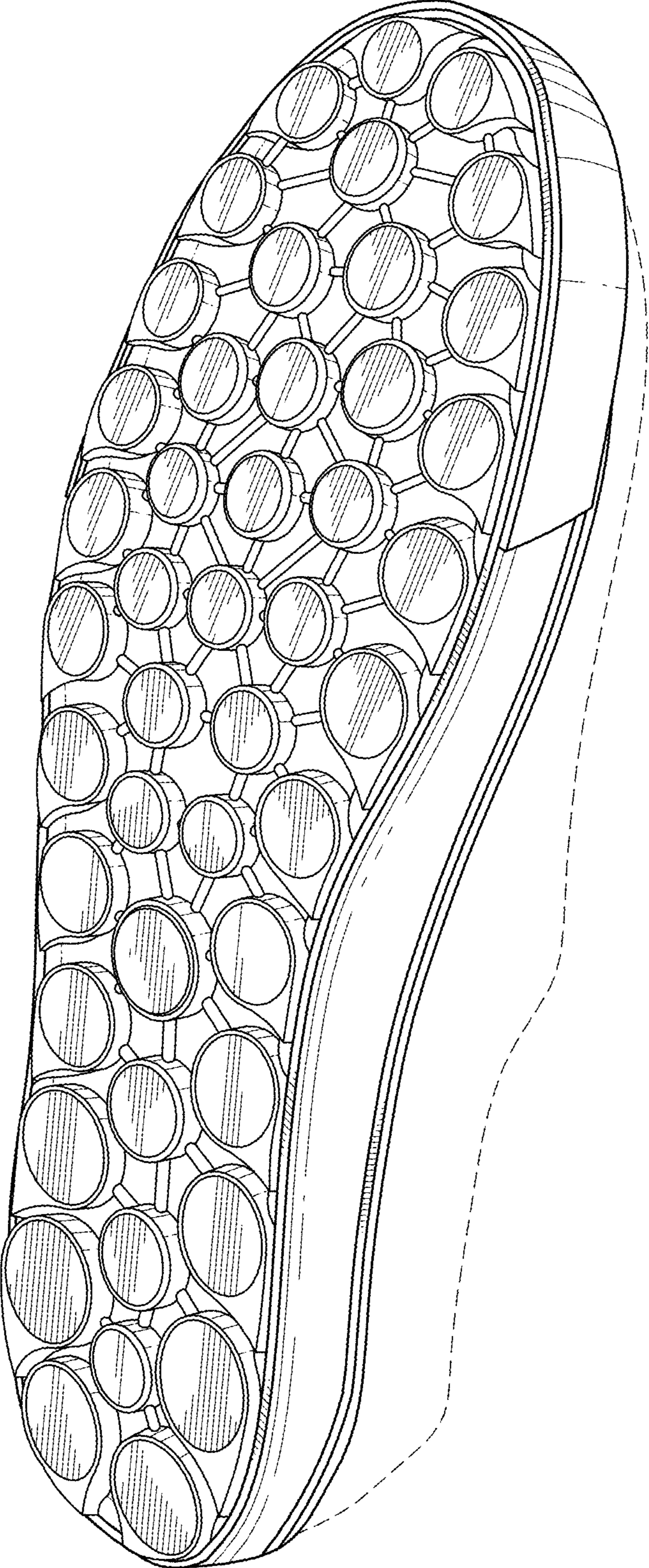


FIG. 1

FIG. 2

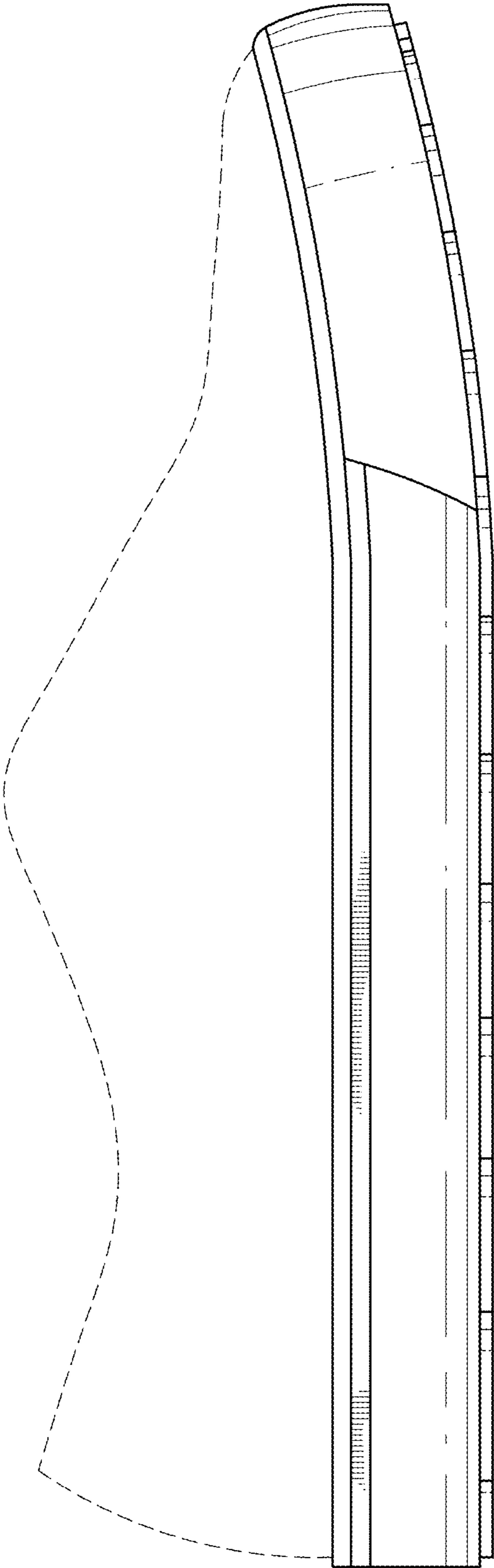
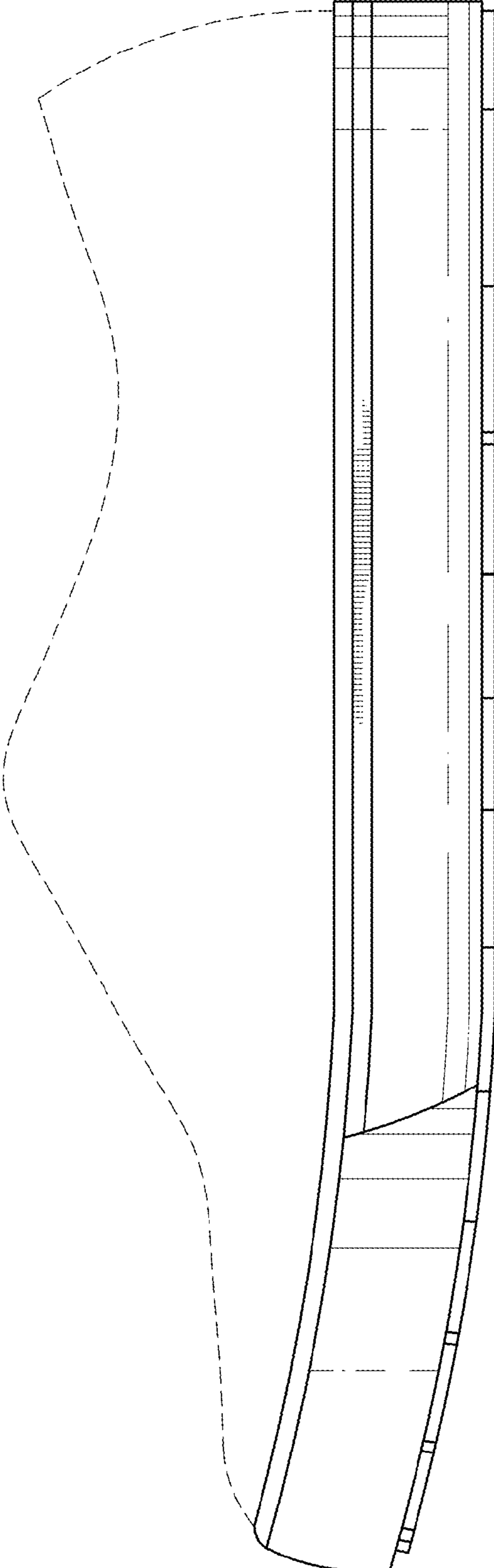


FIG. 3



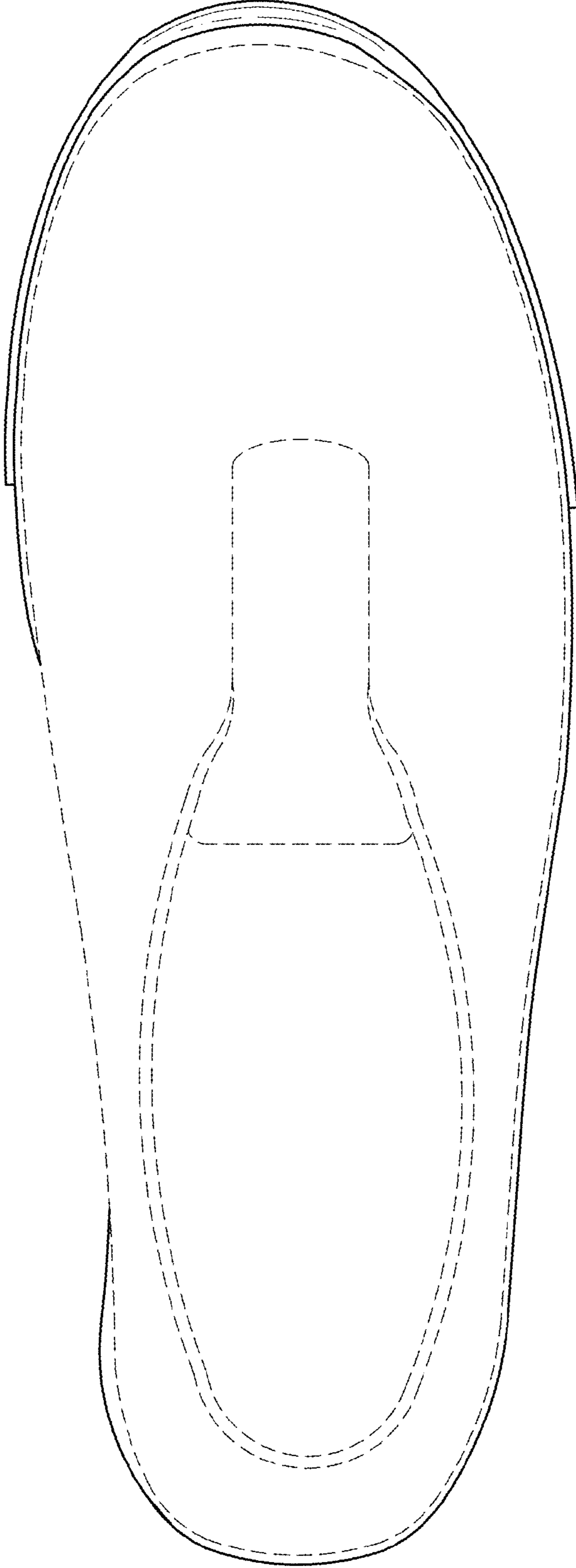


FIG. 4

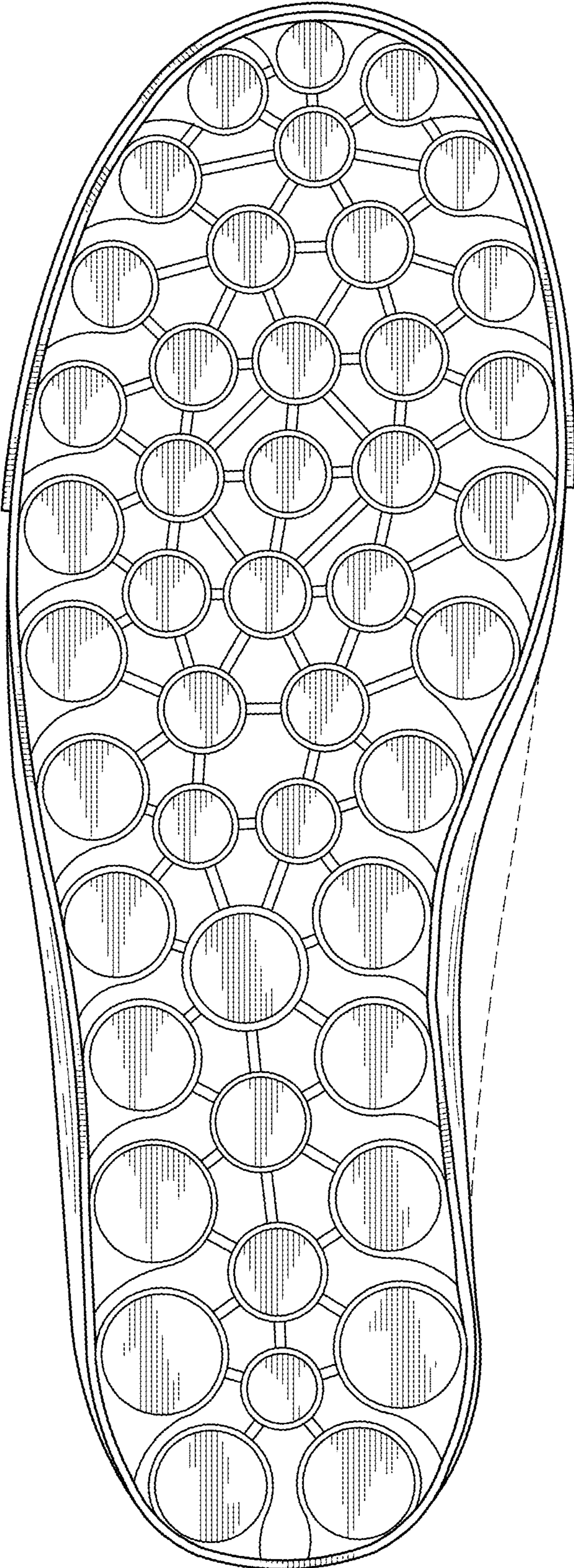


FIG. 5

FIG. 7

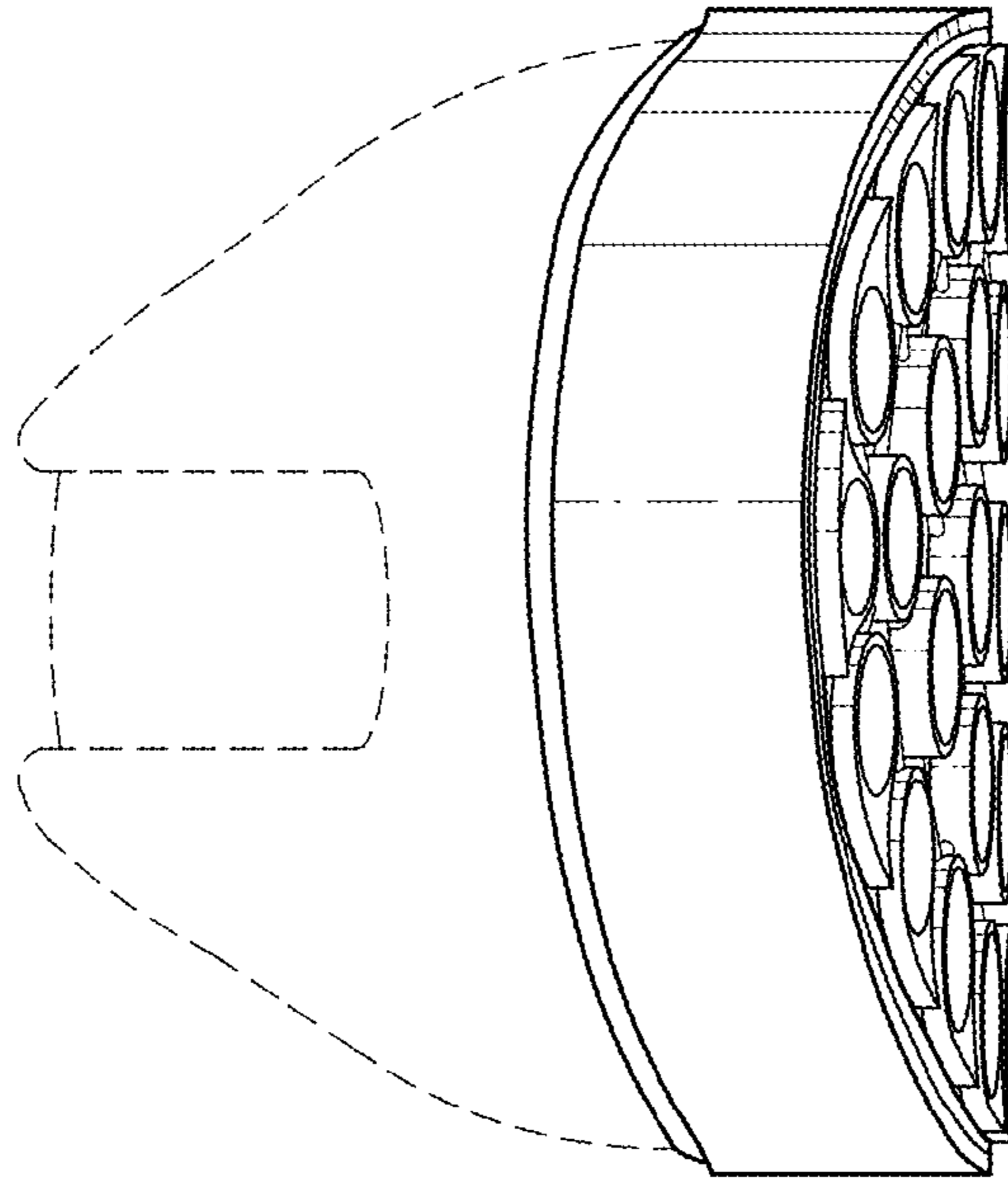
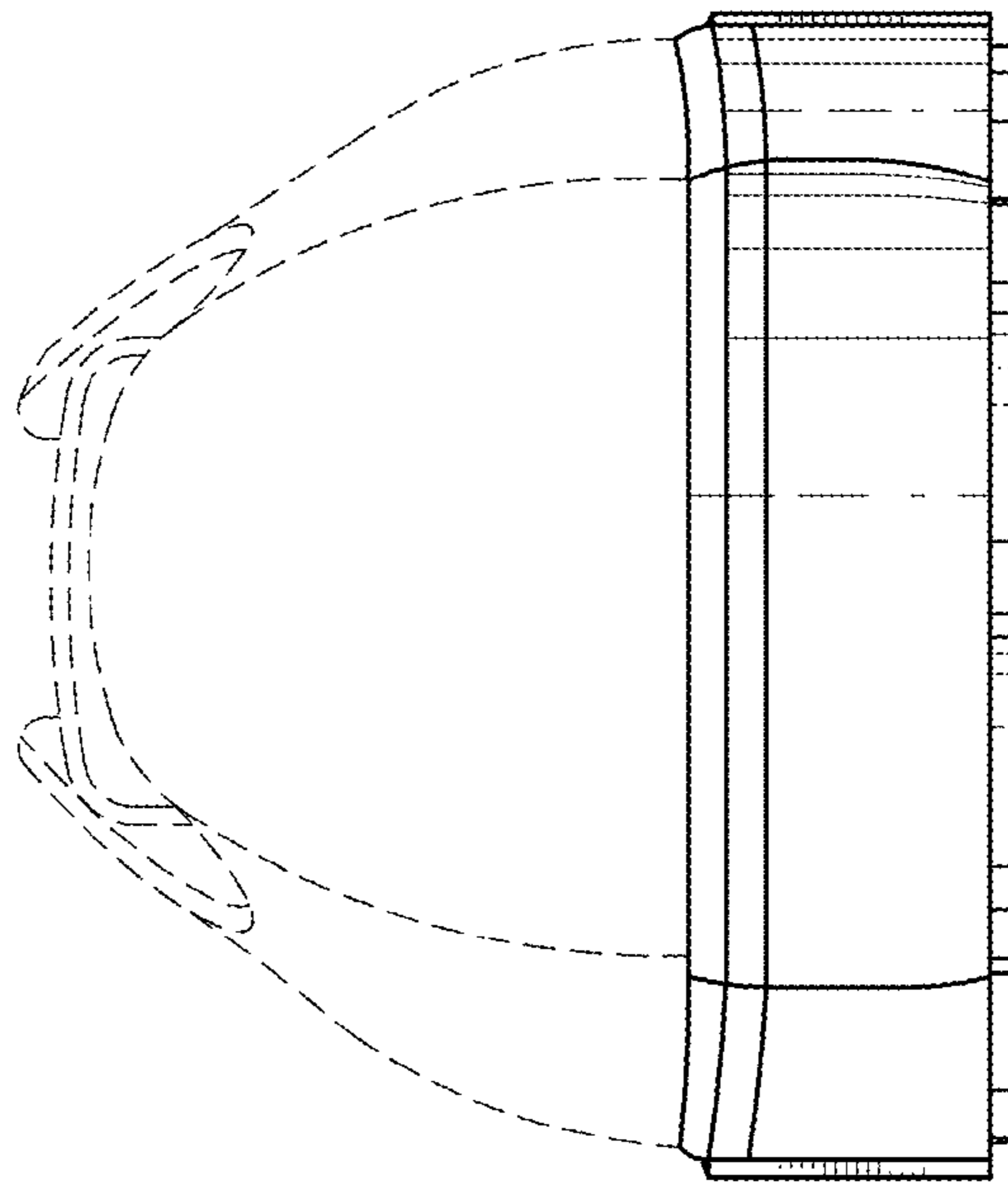


FIG. 6





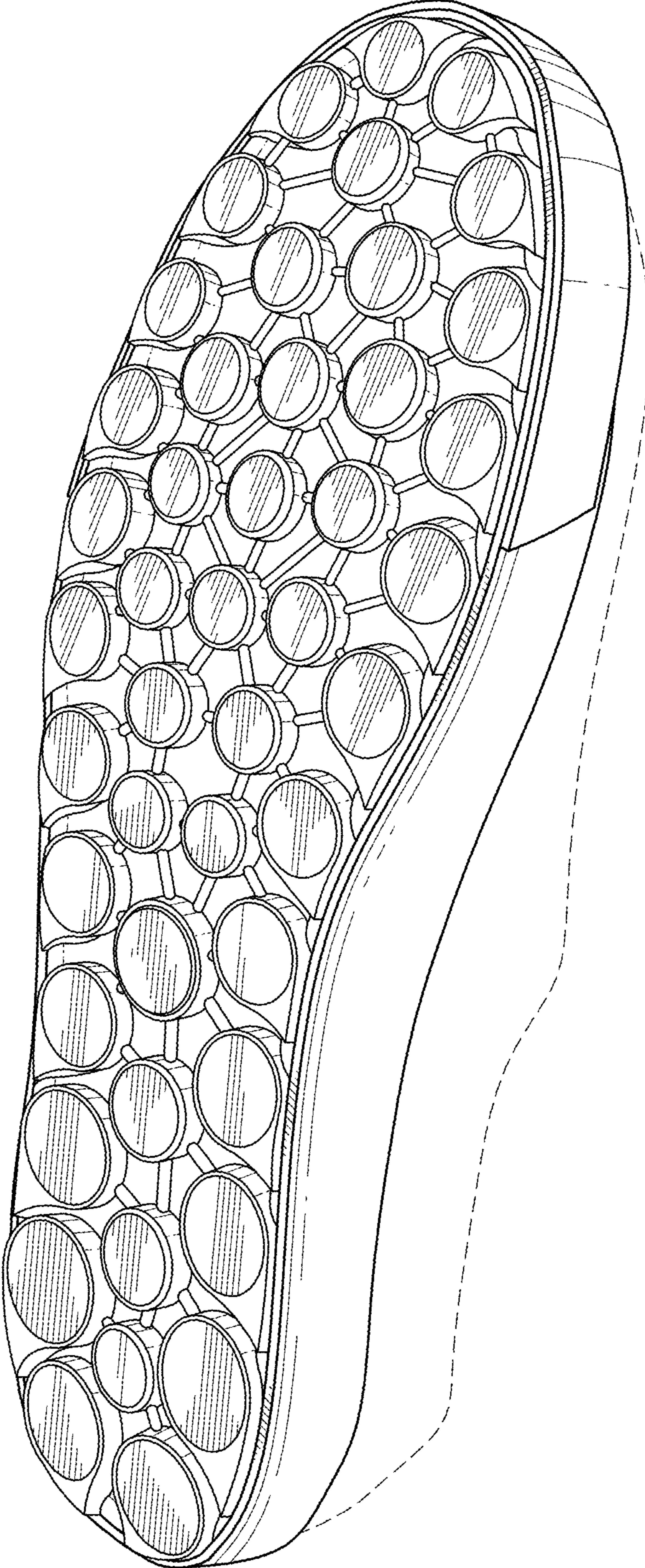


FIG. 8

FIG. 9

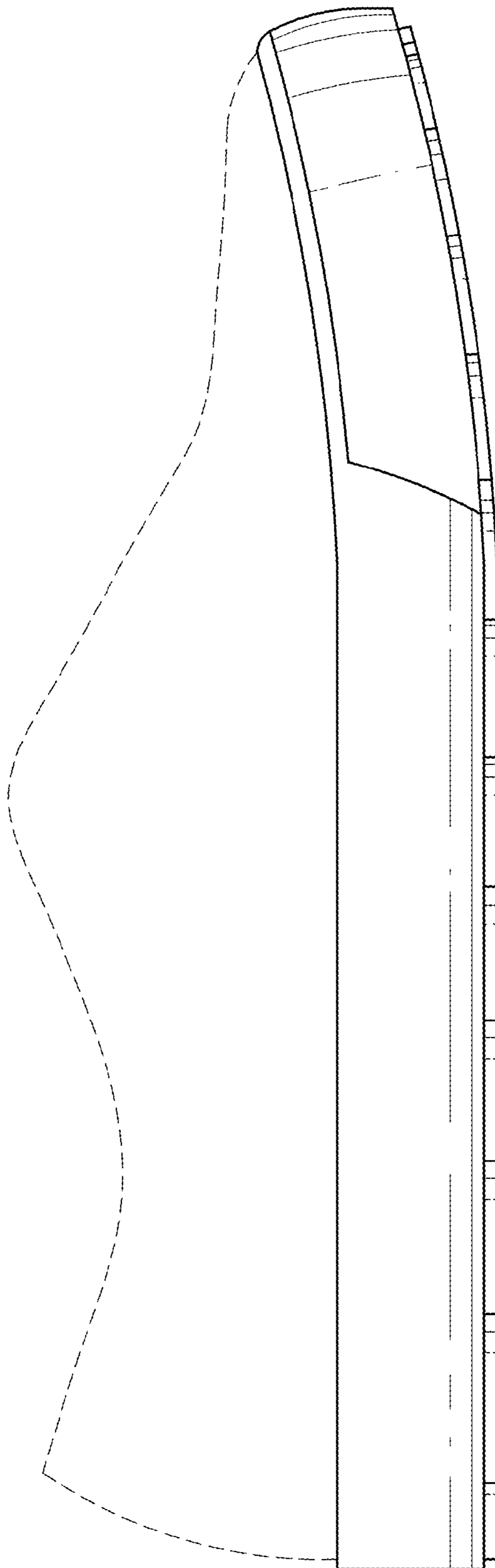
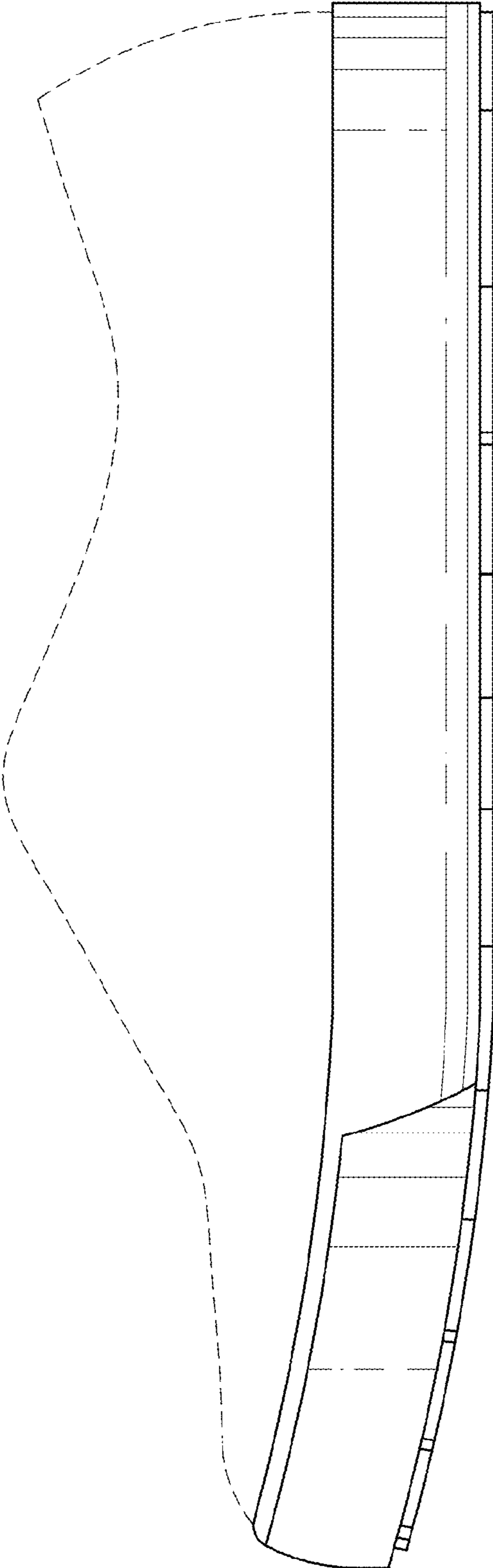
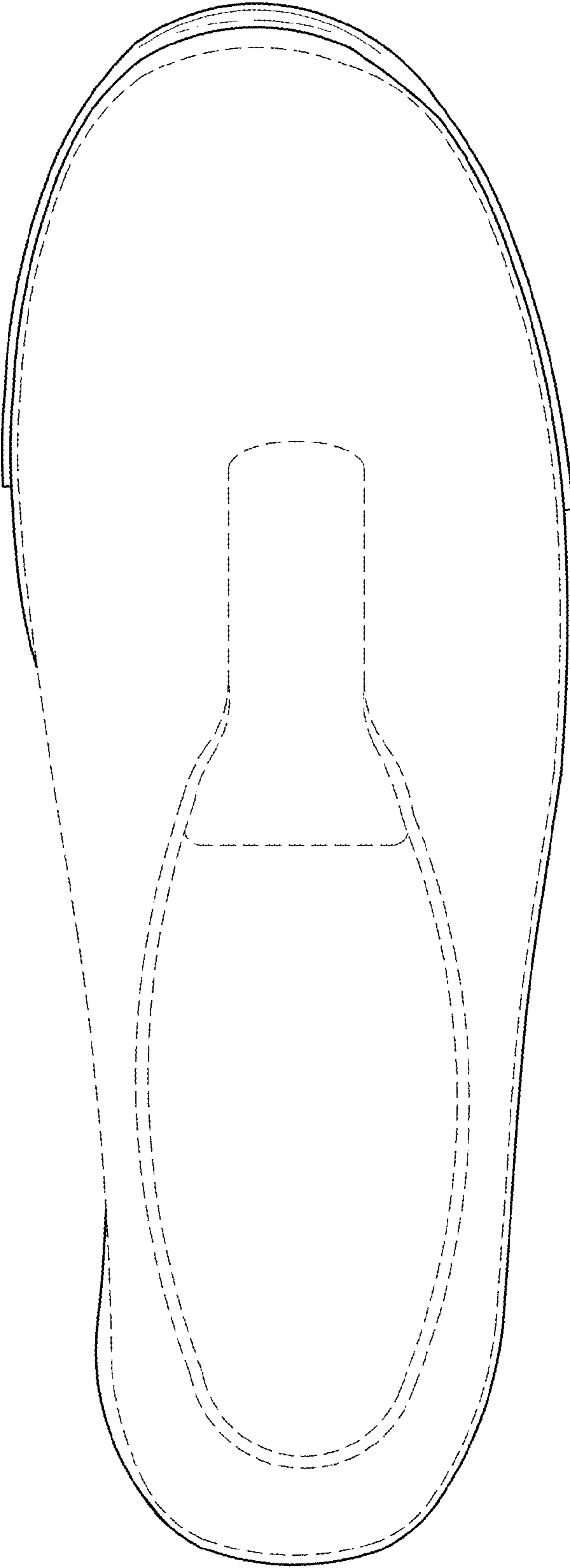


FIG. 10





*FIG. 11*

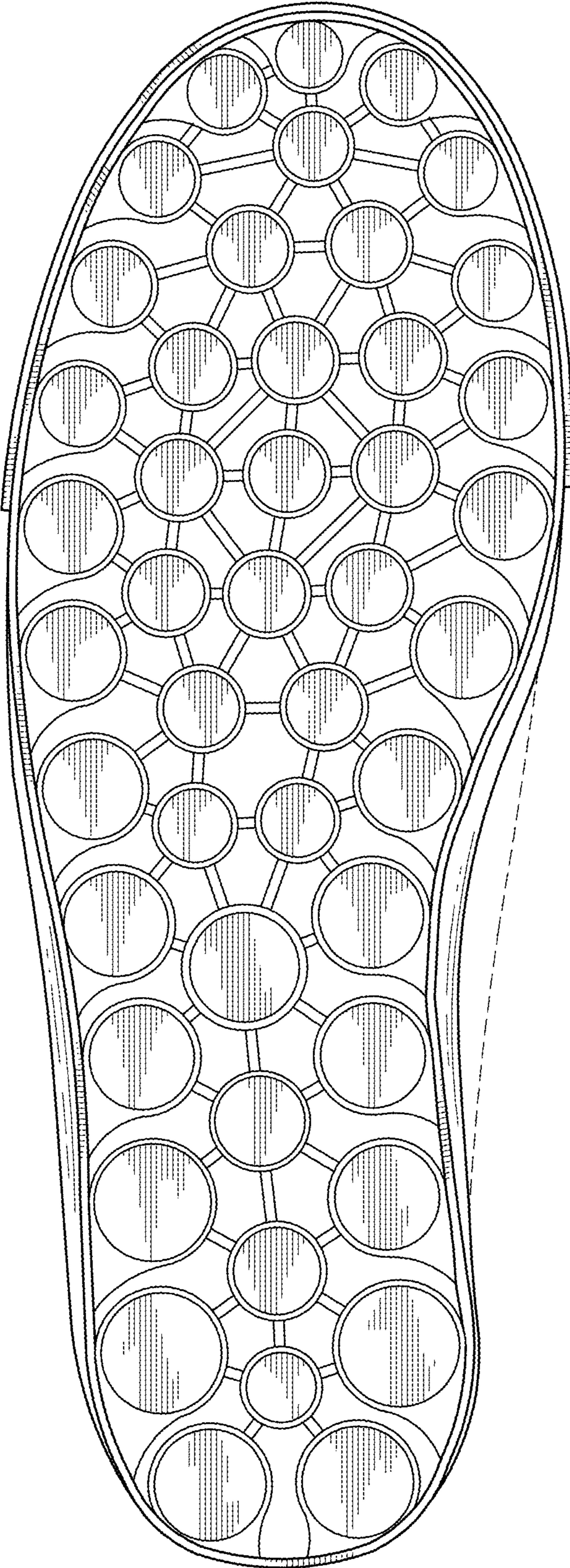


FIG. 12

FIG. 14

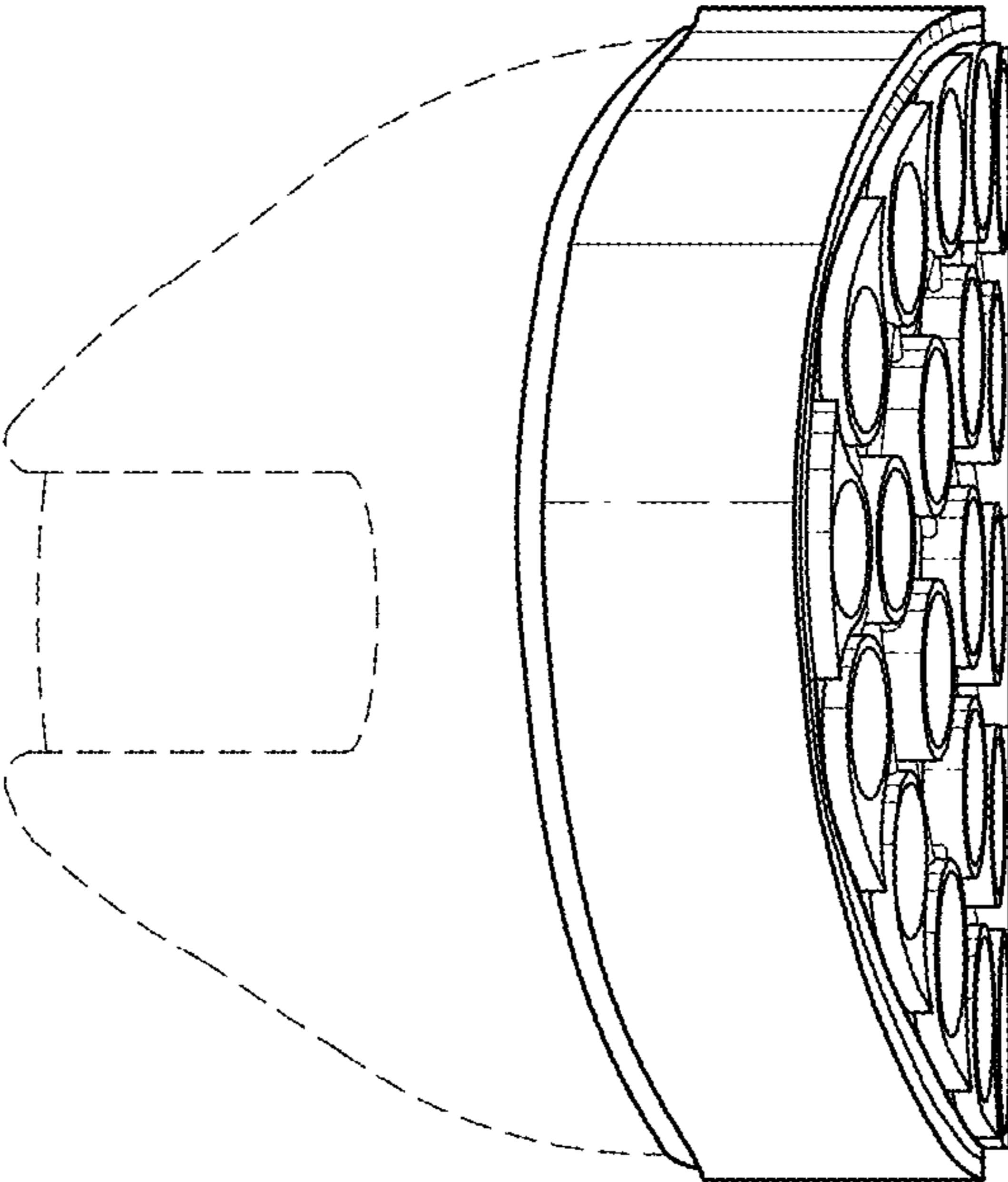


FIG. 13

