



US00D707922S

(12) **United States Design Patent**  
**Simons**

(10) **Patent No.:** **US D707,922 S**  
(45) **Date of Patent:** **\*\* Jul. 1, 2014**

(54) **DRESS/COAT**

(71) Applicant: **Christian Dior Couture, S.A.**, Paris (FR)

(72) Inventor: **Raf Simons**, Paris (FR)

(73) Assignee: **Christian Dior Couture, S.A.**, Paris (FR)

(\*\*) Term: **14 Years**

(21) Appl. No.: **29/450,795**

(22) Filed: **Mar. 22, 2013**

(30) **Foreign Application Priority Data**

Sep. 27, 2012 (EM) ..... 002110338-0002

(51) **LOC (10) Cl.** ..... **02-02**

(52) **U.S. Cl.**  
USPC ..... **D2/804; D2/834**

(58) **Field of Classification Search**  
CPC ..... A41D 1/02; A41D 1/04; A41D 3/00;  
A41D 3/02; A41D 1/22  
USPC ..... D2/750, 751, 752, 755, 828, 830, 831,  
D2/833, 834, 836, 839, 756, 757, 760, 779,  
D2/780, 781, 801, 802, 804, 812, 816, 817,  
D2/820; 2/84, 90, 93, 94, 96, 108, 74  
See application file for complete search history.

(56) **References Cited**

**U.S. PATENT DOCUMENTS**

1,083,209 A \* 12/1913 Granstrom ..... 2/96  
D130,971 S \* 12/1941 Gottlieb ..... D2/833  
2,331,079 A \* 10/1943 Pearl ..... 2/74  
D147,805 S \* 11/1947 McGeary ..... D2/833  
D150,945 S \* 9/1948 Goldberg ..... D2/834  
D177,169 S \* 3/1956 Dennis ..... D2/839

D311,986 S \* 11/1990 Beavers, Sr. .... D2/833  
D312,525 S \* 12/1990 Galeana ..... D2/837  
5,864,879 A \* 2/1999 Bercane ..... 2/93  
D608,078 S \* 1/2010 Tranto ..... D2/837  
D634,514 S \* 3/2011 Dolce et al. .... D2/828

**OTHER PUBLICATIONS**

The Fashion Police. <http://www.thefashionpolice.net/2009/10/black-embroidered-coat-dress-from-doorthy-perkins.html>. Date Unknown: Viewed Feb. 2014. "Dorothy Perkins coat dress".\*  
Three Dresses Project. <http://threedresses.org/full-bust-adjustment-fba/gerties-coat-dress-fba/>. Feb. 2014. "Gertie's Coat Dress FBA".\*  
1stdibs. [http://www.1stdibs.com/fashion/clothing/evening-dresses/yves-saint-laurent-haute-couture-tuxedo-coat-dress-c-1980/id-v\\_63417/](http://www.1stdibs.com/fashion/clothing/evening-dresses/yves-saint-laurent-haute-couture-tuxedo-coat-dress-c-1980/id-v_63417/). Date Unknown: Viewed Feb. 2014. "Yves Saint Laurent Haute Couture Tuxedo Coat dress c. 1980".\*  
Etsy. <http://www.etsy.com/listing/102291353/coat-dress-double-breasted-pattern?ref=market>. Oct. 2013. "Coat Dress Double-Breasted Pattern".\*

\* cited by examiner

*Primary Examiner* — Rashida Johnson

(74) *Attorney, Agent, or Firm* — Amster, Rothstein & Ebenstein, LLP

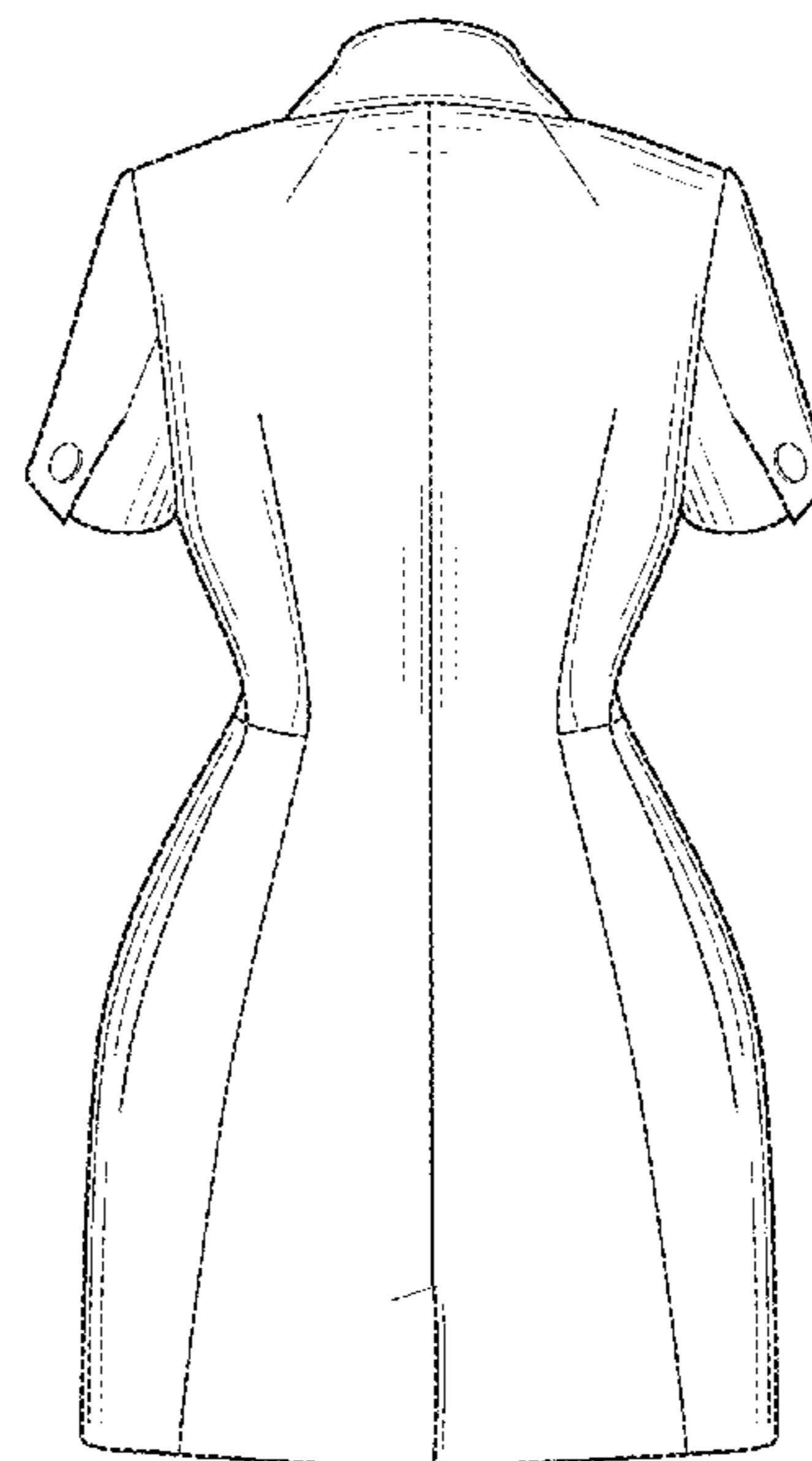
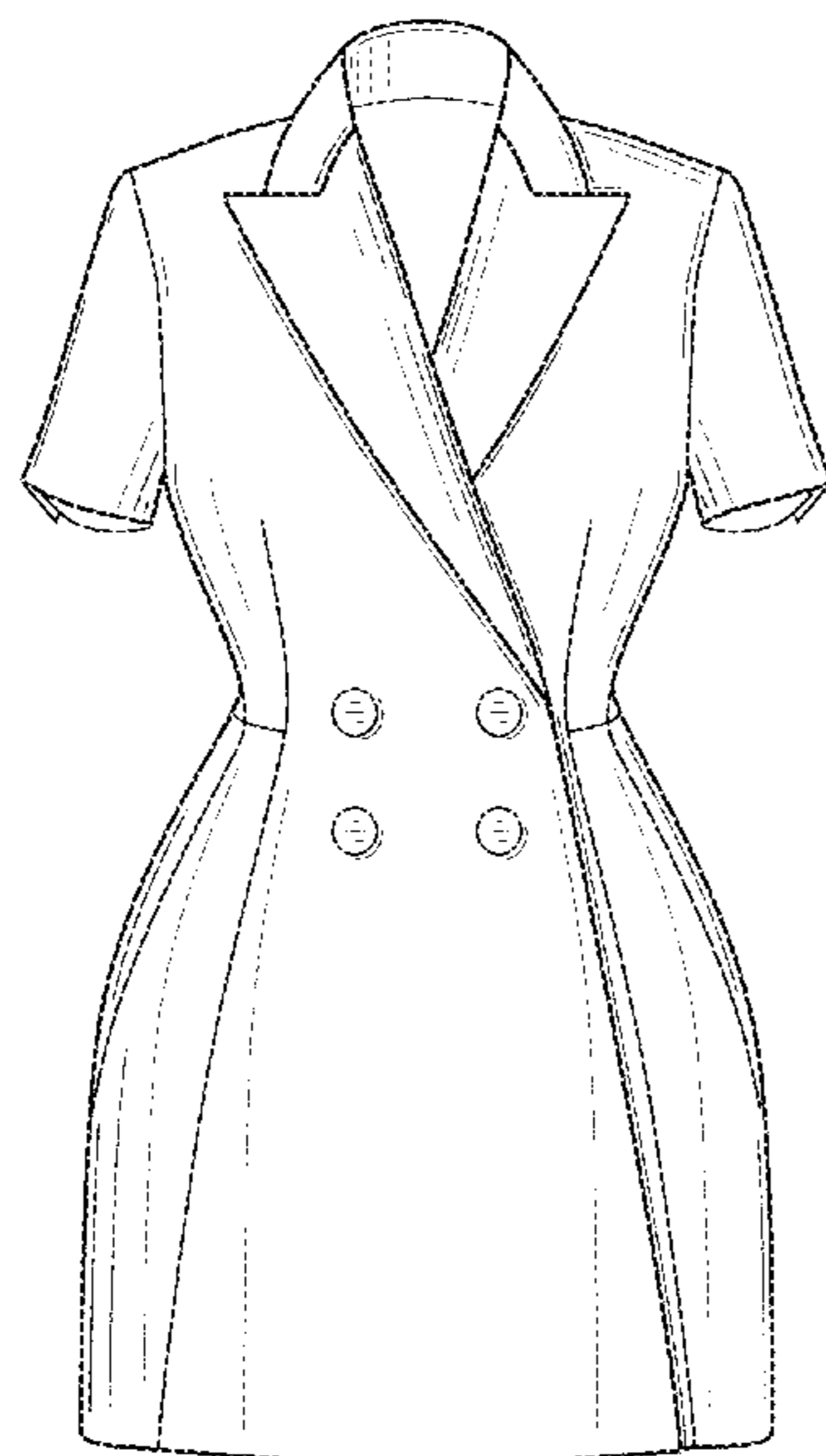
(57) **CLAIM**

The ornamental design for a dress/coat, substantially as shown and described.

**DESCRIPTION**

FIG. 1 is a front elevational view showing my new design; FIG. 2 is a rear elevational view thereof; FIG. 3 is a left side elevational view thereof; FIG. 4 is a right side elevational view thereof; FIG. 5 is a top plan view thereof; and, FIG. 6 is a bottom plan view thereof. The broken lines in FIG. 6 represent the portions of the design, which form no part of the claim.

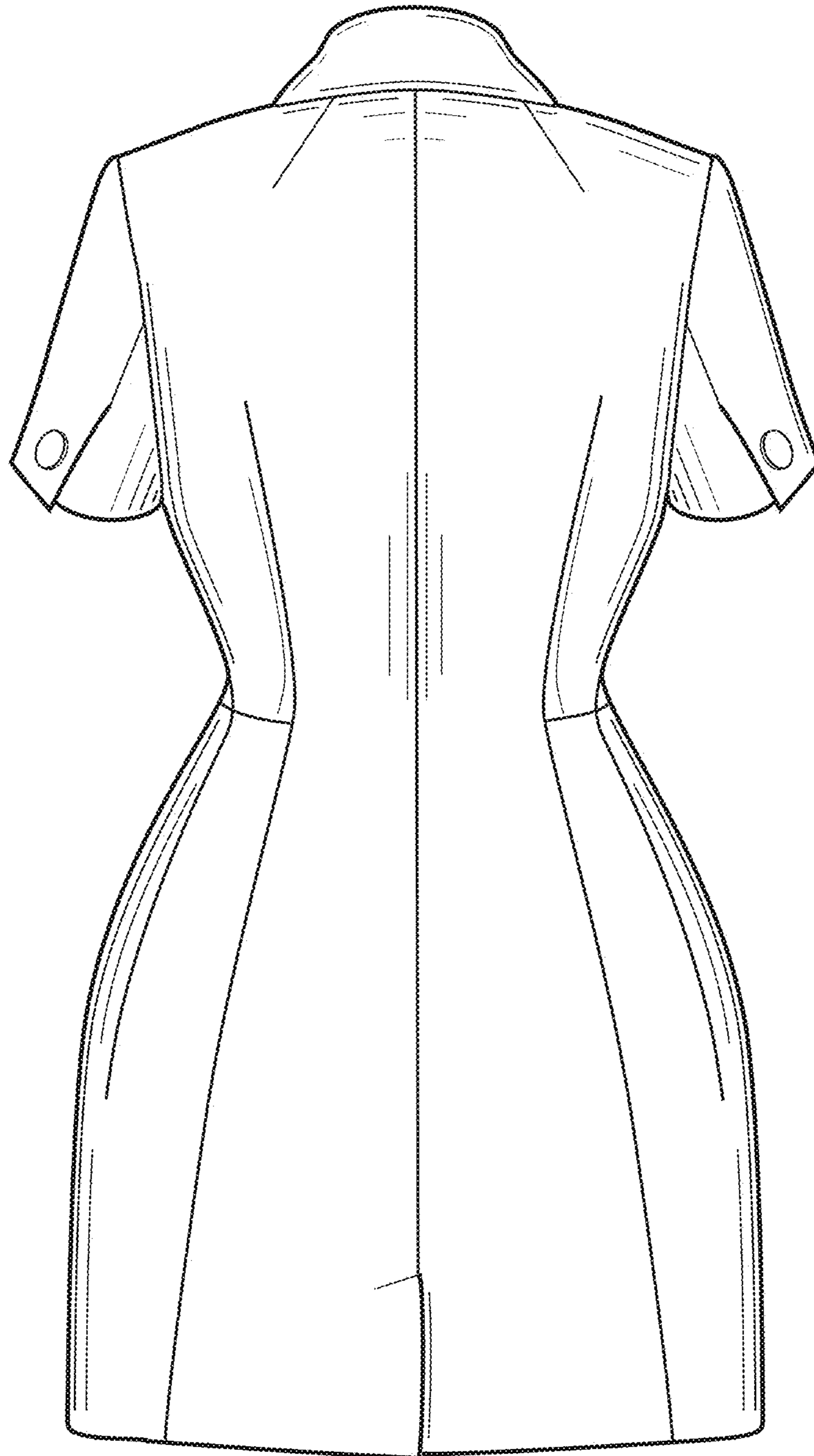
**1 Claim, 5 Drawing Sheets**



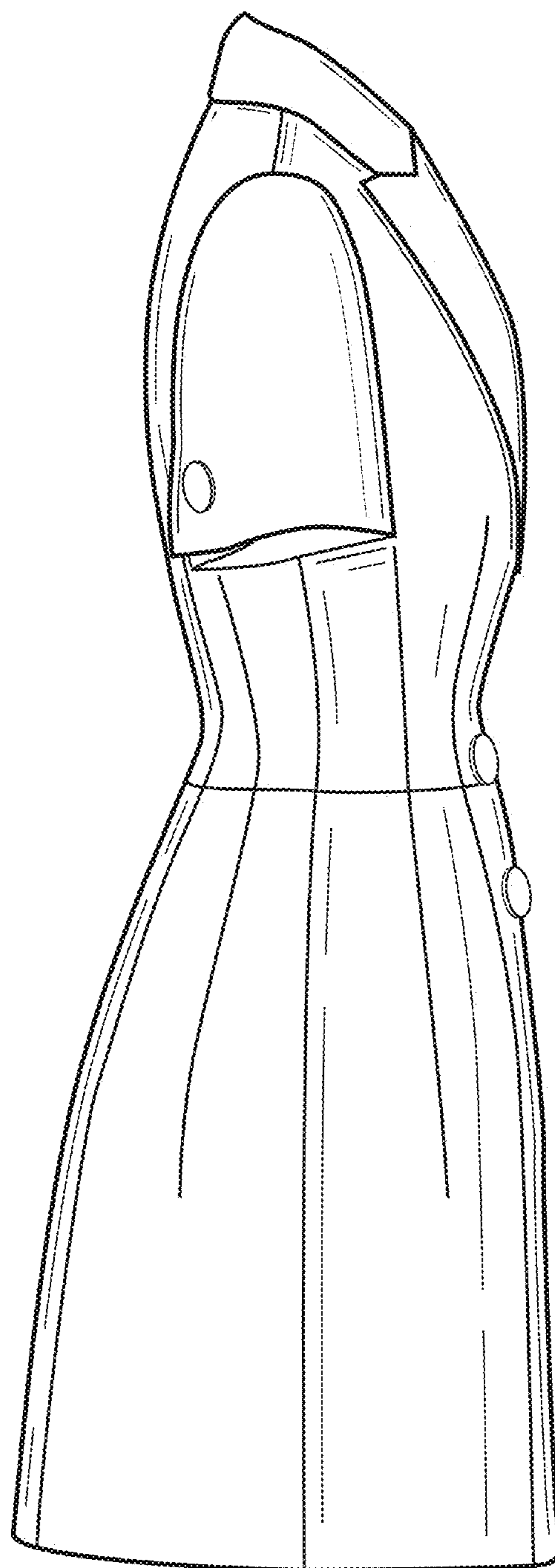
**FIG. 1**



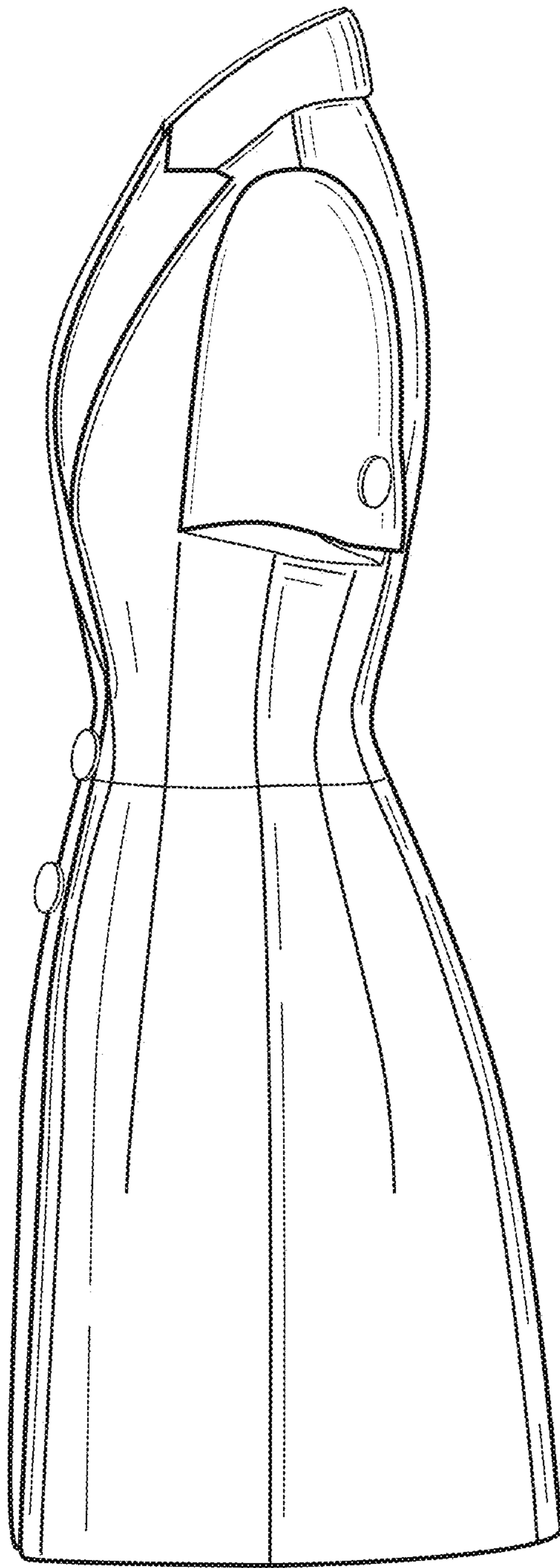
**FIG. 2**



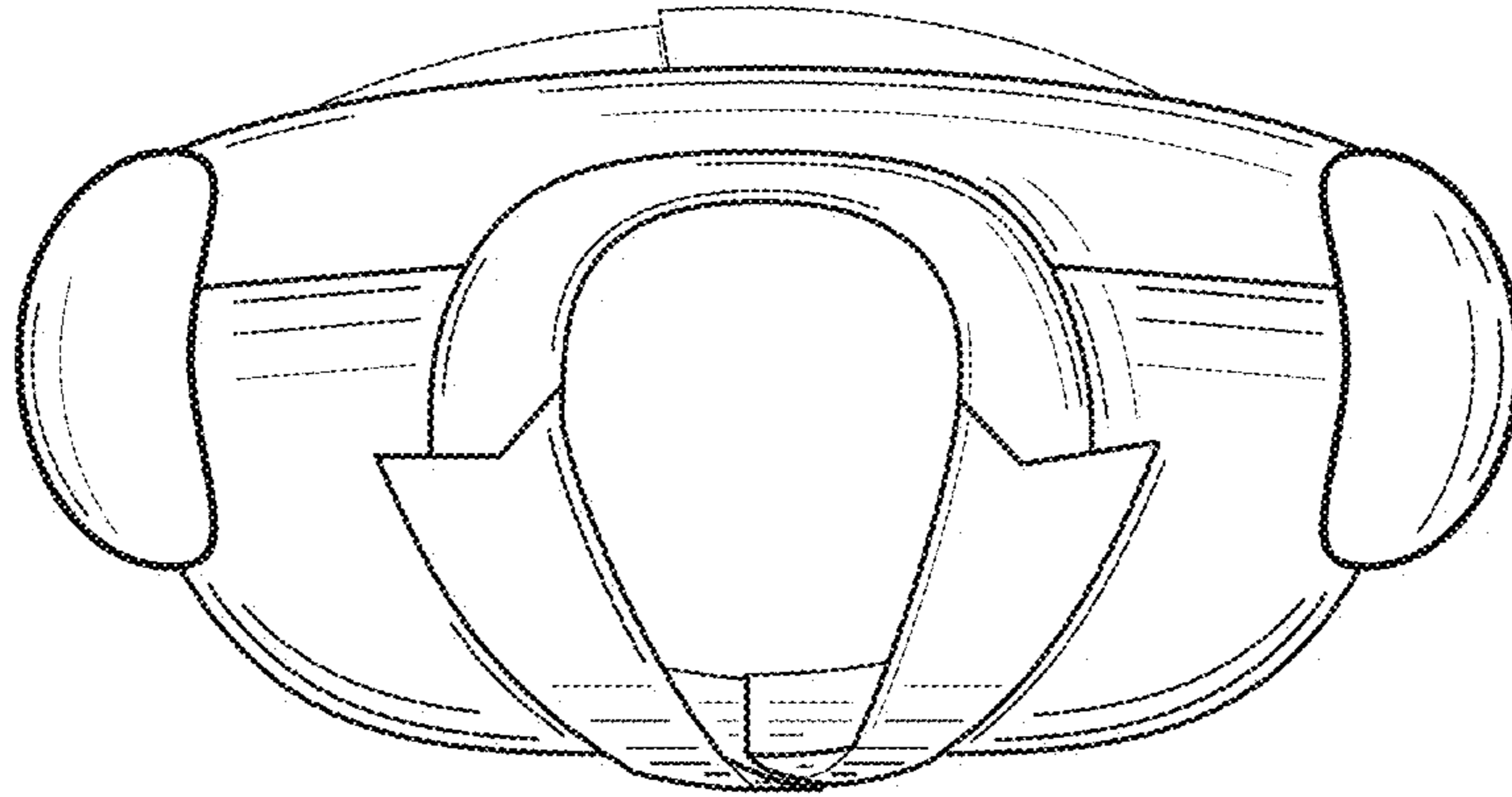
**FIG. 3**



**FIG. 4**



**FIG. 5**



**FIG. 6**

