



US00D707919S

(12) **United States Design Patent**
Lockwood

(10) **Patent No.:** **US D707,919 S**
(45) **Date of Patent:** **** Jul. 1, 2014**

(54) **MEDICAL GARMENT**

(71) Applicant: **Nancy G. Lockwood**, Albuquerque, NM (US)

(72) Inventor: **Nancy G. Lockwood**, Albuquerque, NM (US)

(**) Term: **14 Years**

(21) Appl. No.: **29/472,684**

(22) Filed: **Nov. 14, 2013**

(51) **LOC (10) CI.** **02-02**

(52) **U.S. Cl.**
USPC **D2/720**

(58) **Field of Classification Search**

CPC A41D 1/22; A41D 10/00; A41D 13/0012;
A41D 13/1236; A41D 13/1245; A41D
13/1281; A41D 13/129; A41D 1/18; A41D
1/205; G21F 3/02
USPC D2/717, 718, 720, 728, 749, 750, 840,
D2/847; 2/69, 83

See application file for complete search history.

(56) **References Cited**

U.S. PATENT DOCUMENTS

4,596,053	A *	6/1986	Cohen et al.	361/220
4,663,782	A *	5/1987	Knox et al.	2/104
D336,968	S *	7/1993	Russano	D2/720
D509,343	S *	9/2005	Bragg	D2/840
D530,885	S *	10/2006	Barthel	D2/720
D574,126	S *	8/2008	McCray	D2/840
D584,882	S *	1/2009	Trouillot et al.	D2/720
D647,688	S *	11/2011	Hilgart	D2/720

D657,939	S *	4/2012	Mathews	D2/847
D661,053	S *	6/2012	Weinshanker	D2/717
D698,530	S *	2/2014	Levering	D2/847
2013/0239288	A1 *	9/2013	Van Duren	2/69
2013/0276202	A1 *	10/2013	Forbes et al.	2/114

FOREIGN PATENT DOCUMENTS

WO WO 0232243 A1 * 4/2002

* cited by examiner

Primary Examiner — Rashida Johnson

(74) *Attorney, Agent, or Firm* — QuickPatents; Kevin Prince

(57) **CLAIM**

I claim the ornamental design for a medical garment, as shown and described.

DESCRIPTION

FIG. 1 is a perspective view of a medical garment, showing my new design;

FIG. 2 is a front elevational view thereof;

FIG. 3 is a rear elevational view thereof;

FIG. 4 is a left-side elevational view thereof;

FIG. 5 is a right-side elevational view thereof;

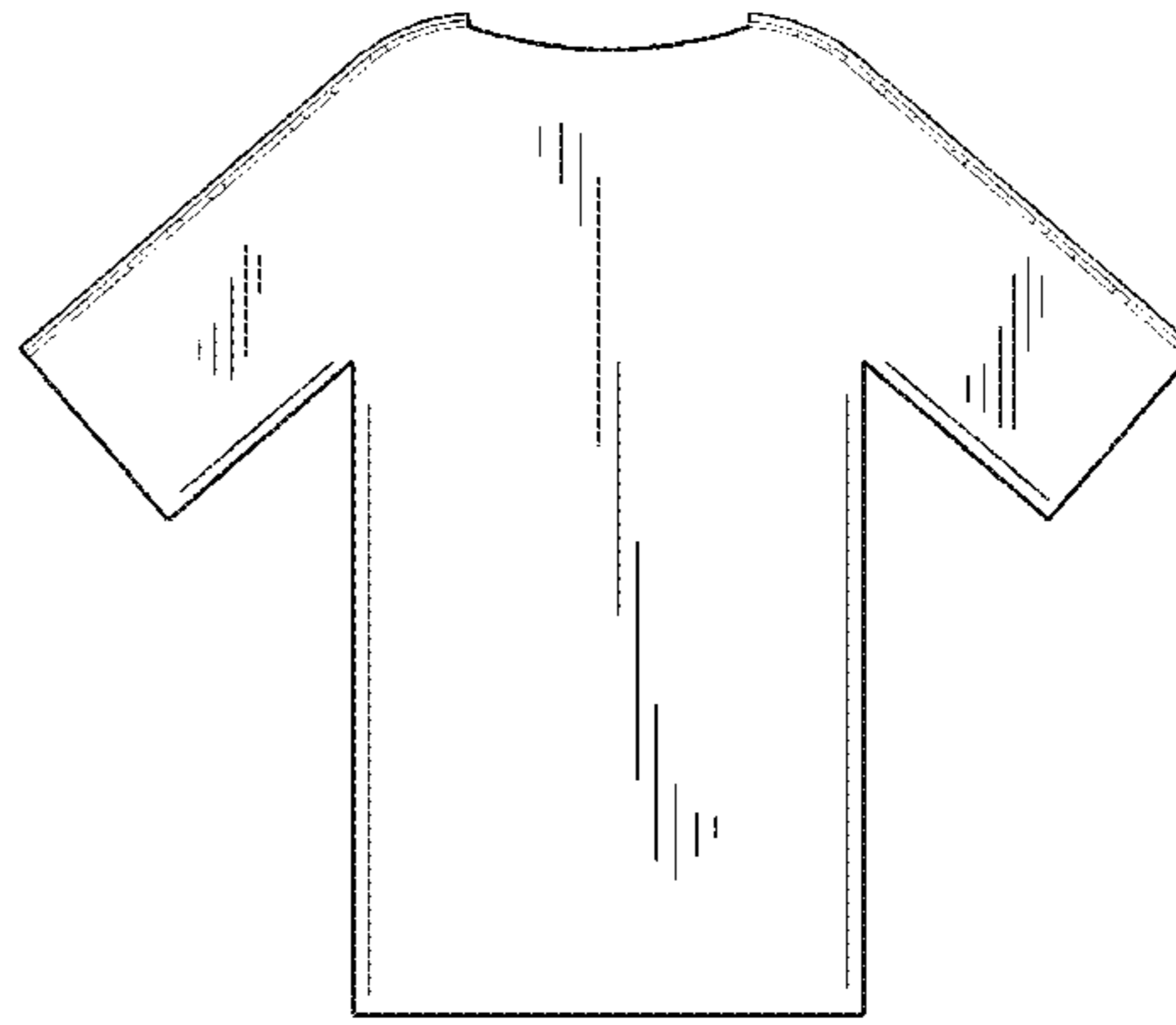
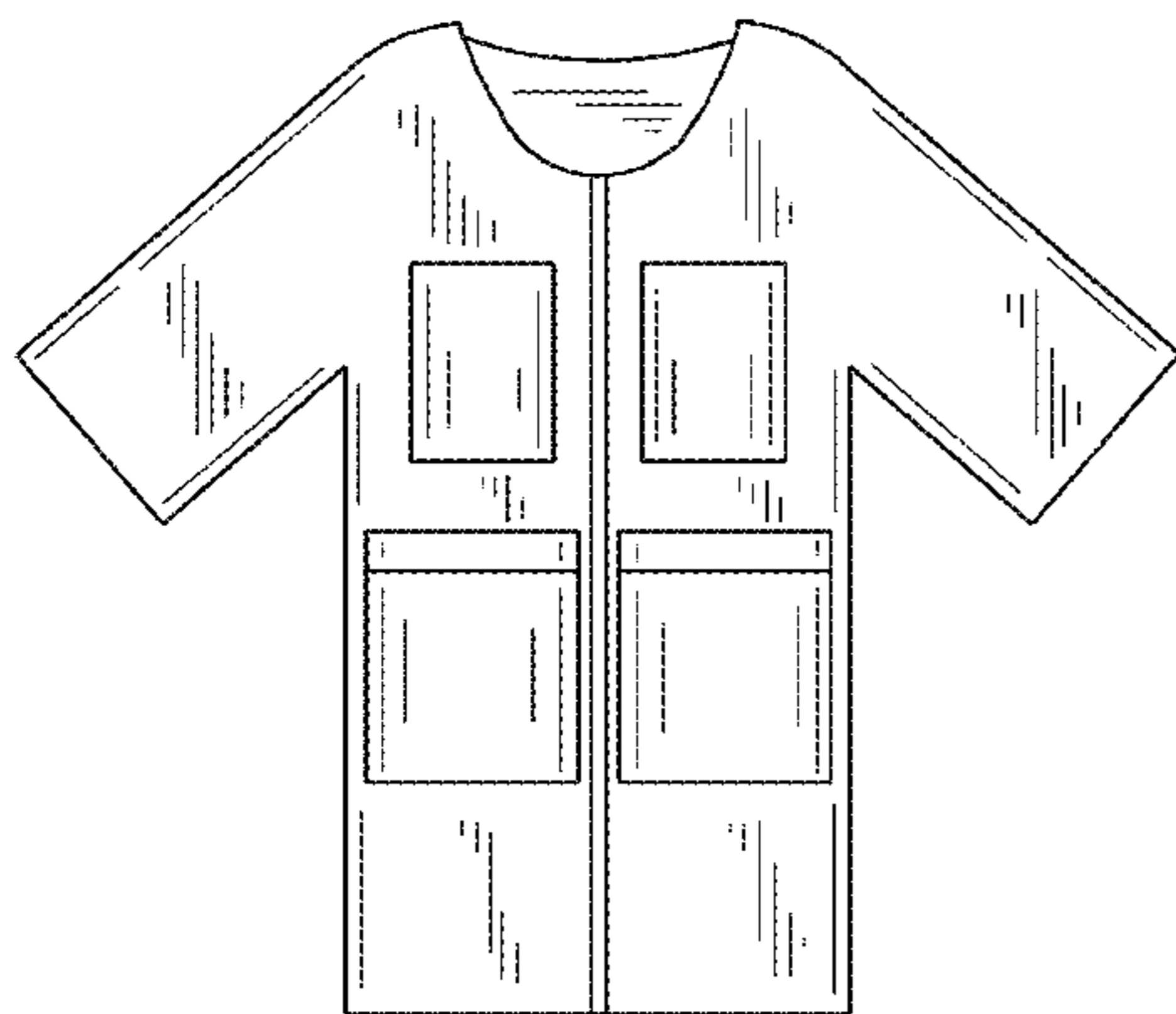
FIG. 6 is a top plan view thereof;

FIG. 7 is a bottom plan view thereof; and,

FIG. 8 is a perspective view thereof, illustrated inside-out with respect to FIG. 1.

The broken lines showing a medical tube traversing a pocket aperture in FIG. 8 depict environmental matter and form no part of the claimed design.

1 Claim, 3 Drawing Sheets



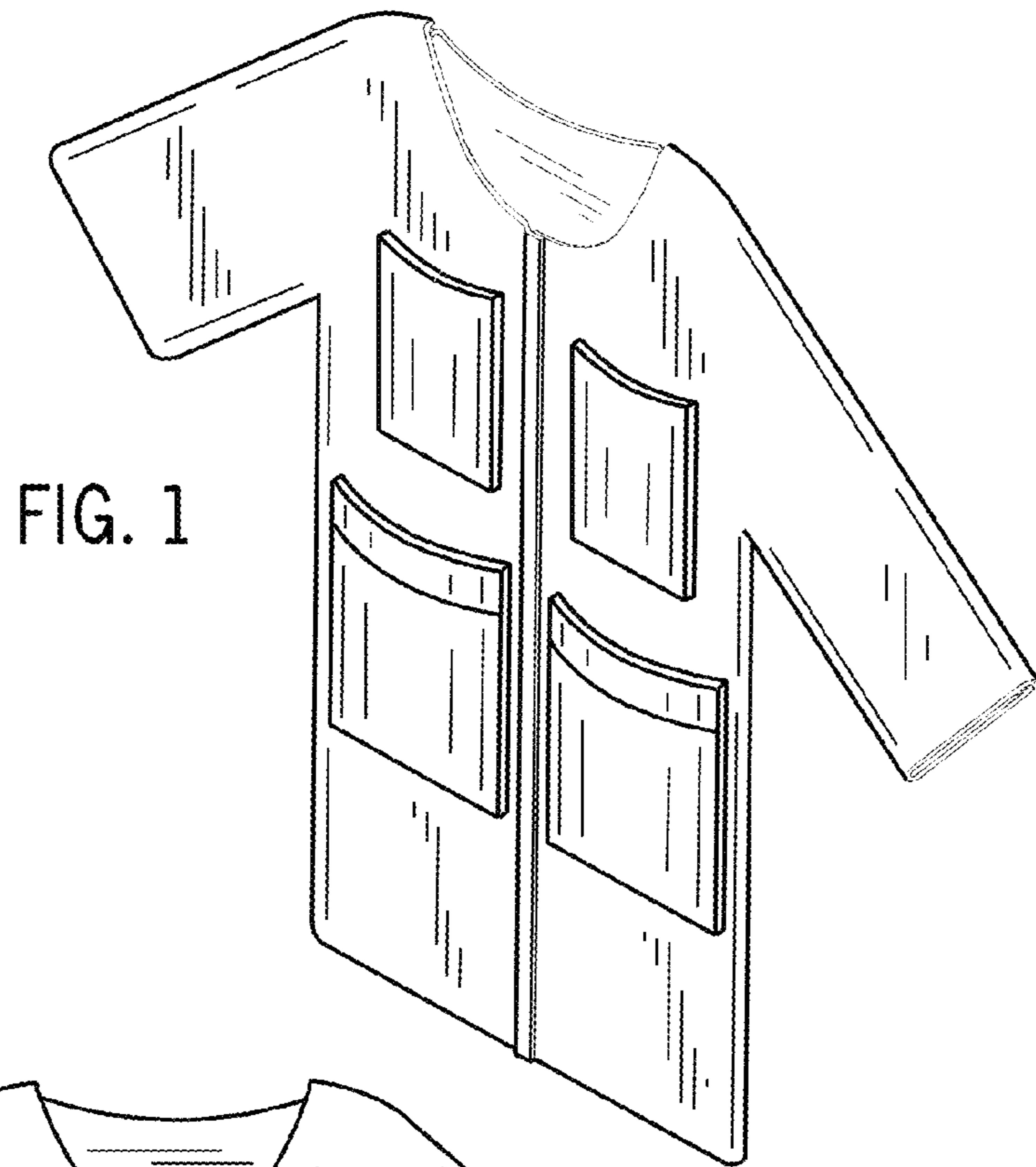


FIG. 1

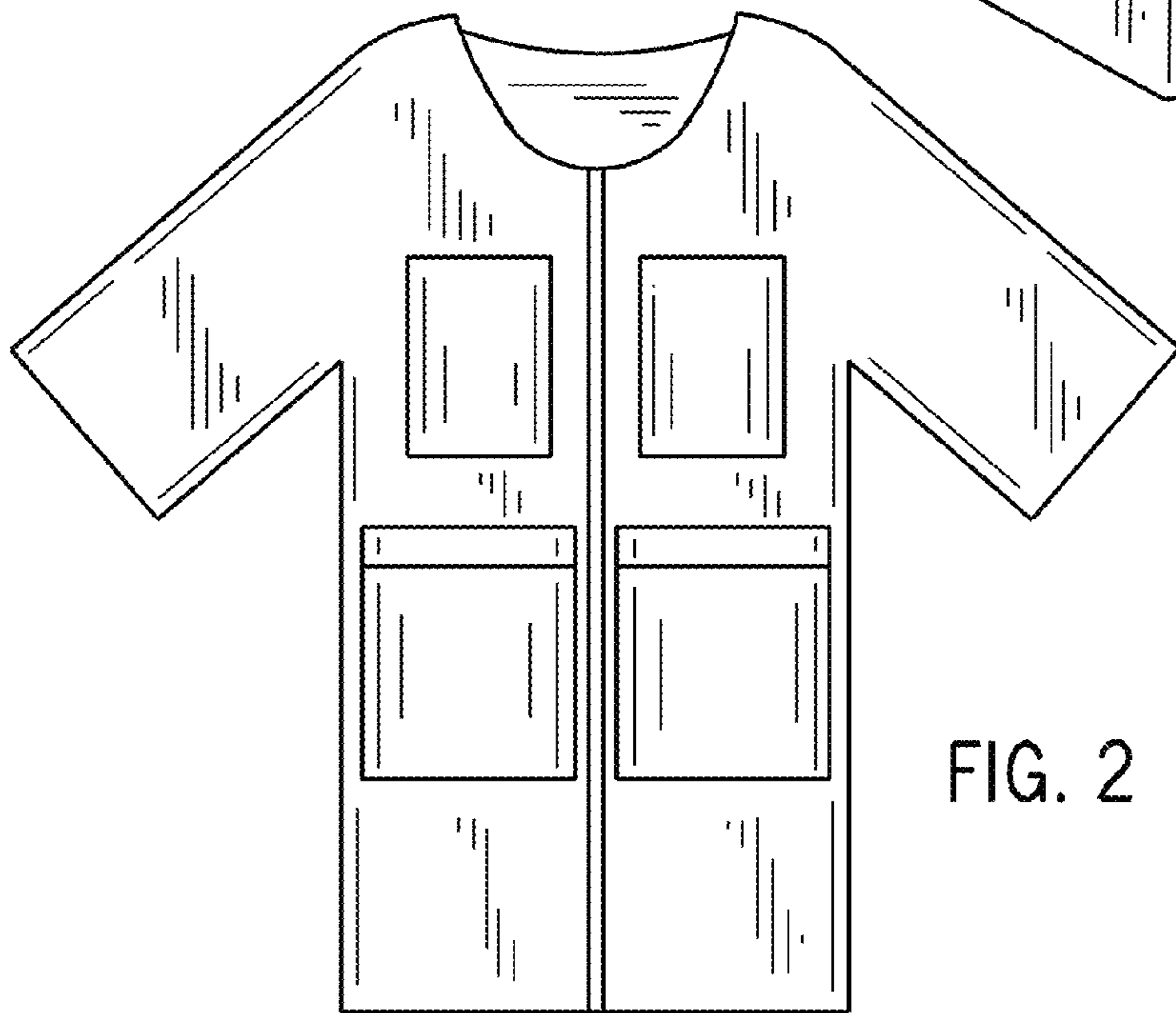


FIG. 2

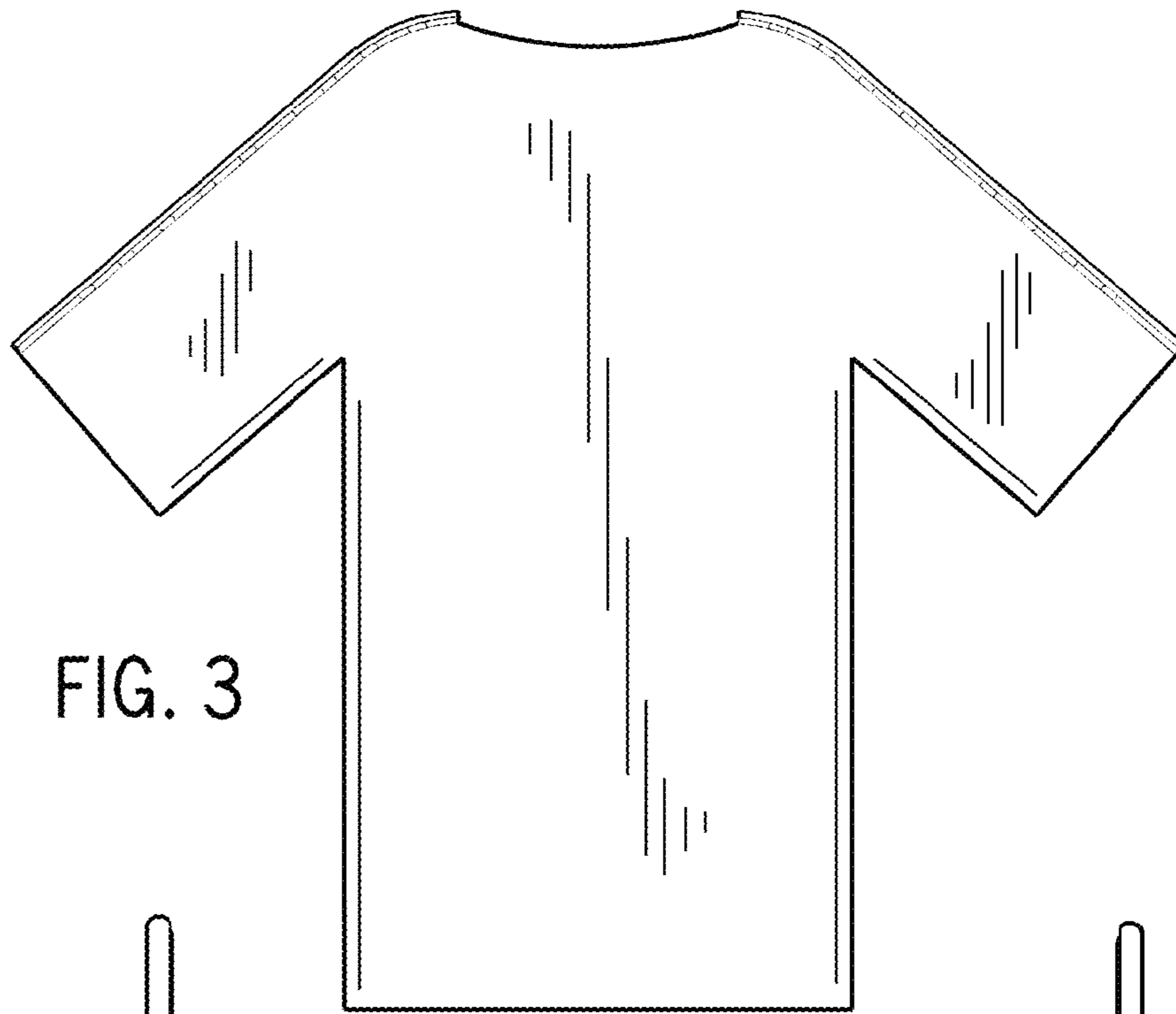


FIG. 3



FIG. 4



FIG. 5

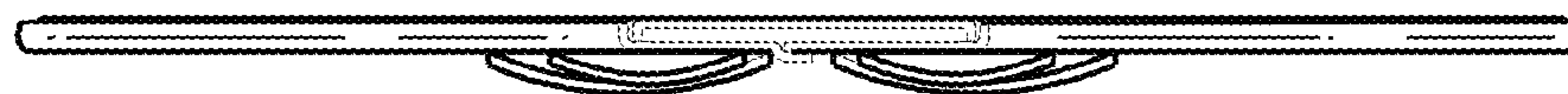


FIG. 6



FIG. 7

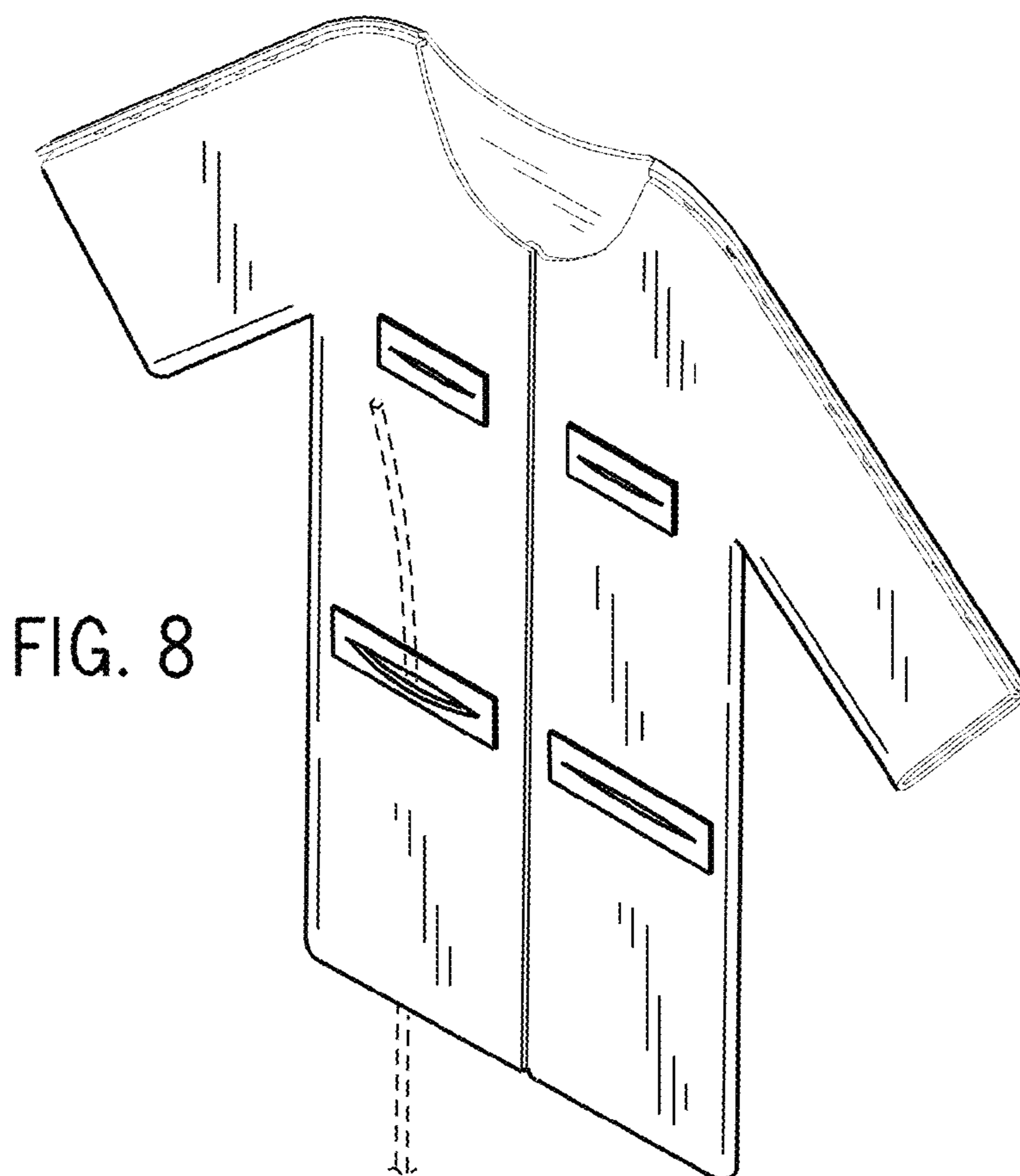


FIG. 8