



US00D707915S

(12) **United States Design Patent**  
**Sharp**

(10) **Patent No.:** **US D707,915 S**  
(45) **Date of Patent:** **\*\* Jun. 24, 2014**

- (54) **LOAD BACK REST FOR A LIFT TRUCK**
- (71) Applicant: **Geoffrey Richard Sharp**, Visalia, CA (US)
- (72) Inventor: **Geoffrey Richard Sharp**, Visalia, CA (US)
- (\*\*) Term: **14 Years**
- (21) Appl. No.: **29/449,970**
- (22) Filed: **Mar. 15, 2013**
- (51) **LOC (10) Cl.** ..... **12-05**
- (52) **U.S. Cl.**  
USPC ..... **D34/35**
- (58) **Field of Classification Search**  
CPC ..... B66F 9/14; B66F 9/06  
USPC ..... D34/34, 35; 187/222, 237, 238;  
414/667, 671, 621, 785  
See application file for complete search history.

D463,894	S	10/2002	Ghafourian et al.	
6,533,526	B2	3/2003	Lindgren et al.	
6,672,823	B2	1/2004	Henning	
6,902,039	B2	6/2005	Kunch	
D535,805	S	1/2007	Stark	
7,195,105	B2	3/2007	Tygard	
D551,423	S	9/2007	Kodama et al.	
7,588,409	B2	9/2009	Froni	
7,632,055	B2	12/2009	Froni	
7,730,599	B2	6/2010	Tyree	
7,980,807	B2 *	7/2011	Schoenauer	414/663
D647,274	S	10/2011	Sharp	
D649,735	S	11/2011	Sharp	
2005/0196265	A1	9/2005	Moore et al.	
2009/0260924	A1 *	10/2009	Rice et al.	187/238
2010/0101895	A1	4/2010	Collins et al.	
2011/0139546	A1	6/2011	Look	
2011/0198157	A1	8/2011	Sharp	

\* cited by examiner

*Primary Examiner* — Cynthia Ramirez  
(74) *Attorney, Agent, or Firm* — Maier & Maier, PLLC

(56) **References Cited**

U.S. PATENT DOCUMENTS

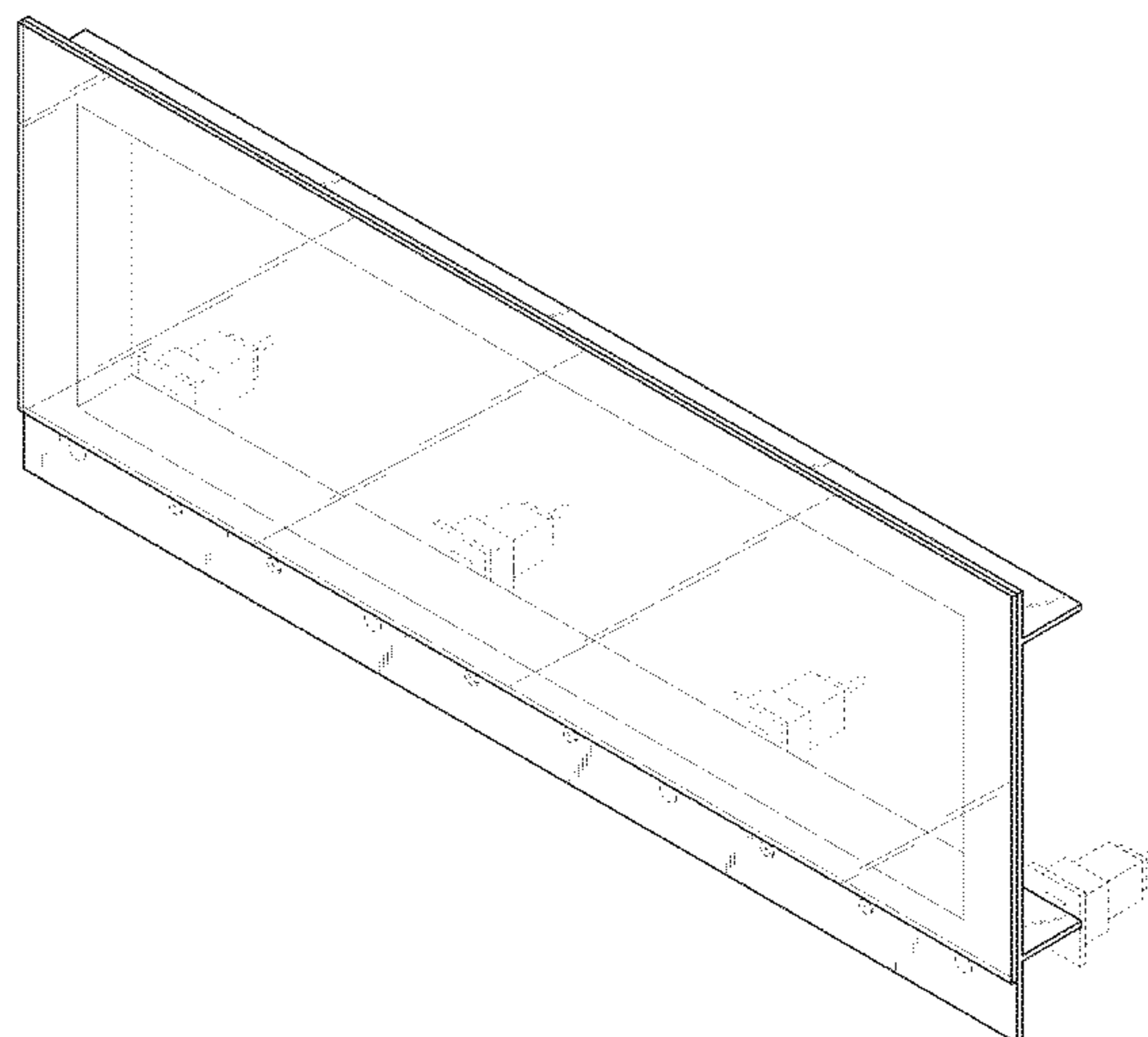
2,668,602	A	2/1954	Cushman	
2,847,138	A	8/1958	Backofen	
2,956,701	A	10/1960	Larson	
2,958,436	A *	11/1960	Skutle et al.	414/667
3,232,380	A	2/1966	Harsen	
3,272,287	A	9/1966	Easton	
3,625,385	A	12/1971	Ide	
3,826,392	A	7/1974	Farley	
4,102,464	A	7/1978	Schuster	
D249,663	S	9/1978	Willett	
4,239,446	A	12/1980	Vucinic	
4,421,449	A	12/1983	Cotton	
4,505,635	A	3/1985	Shinoda et al.	
4,544,323	A *	10/1985	Malin	414/785
4,708,576	A	11/1987	Conley	
D297,848	S	9/1988	Burenga	
D354,607	S	1/1995	Lanigan et al.	
5,618,159	A	4/1997	Wilson	

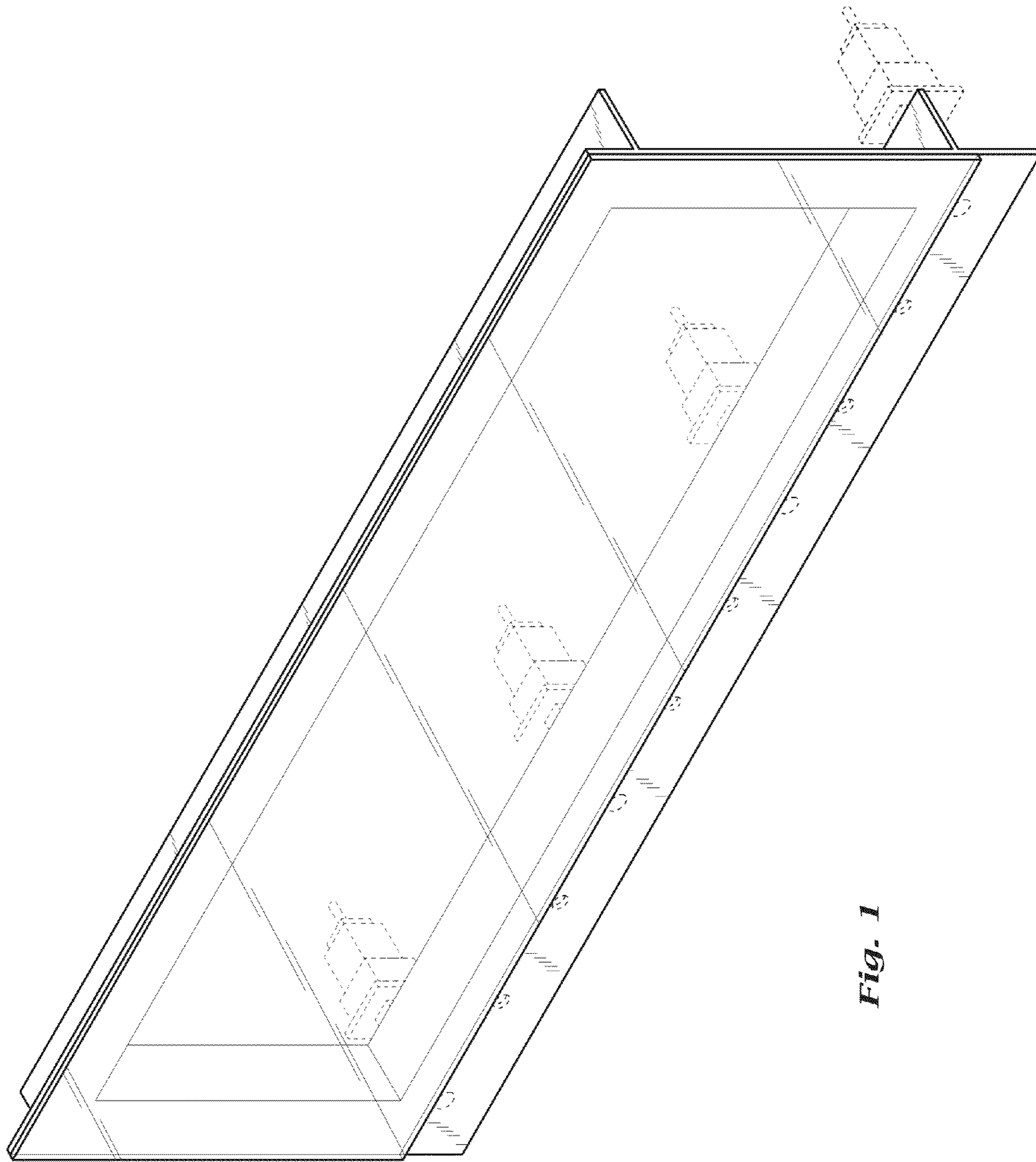
(57) **CLAIM**  
The ornamental design for a load back rest for a lift truck, as shown and described.

**DESCRIPTION**

FIG. 1 is a front isometric view of a load back rest for a lift truck, showing my design;  
FIG. 2 is a rear isometric view thereof;  
FIG. 3 is a front elevational view thereof;  
FIG. 4 is a rear elevational view thereof;  
FIG. 5 is a right side elevational view thereof, the left side elevational view being a mirror image of the right side view;  
FIG. 6 is a top plan view thereof; and,  
FIG. 7 is a bottom plan view thereof.  
The broken line showing in the drawings is included for the purpose of illustrating portions of the load back rest for a lift truck and forms no part of the claimed design.

**1 Claim, 4 Drawing Sheets**





**Fig. 1**

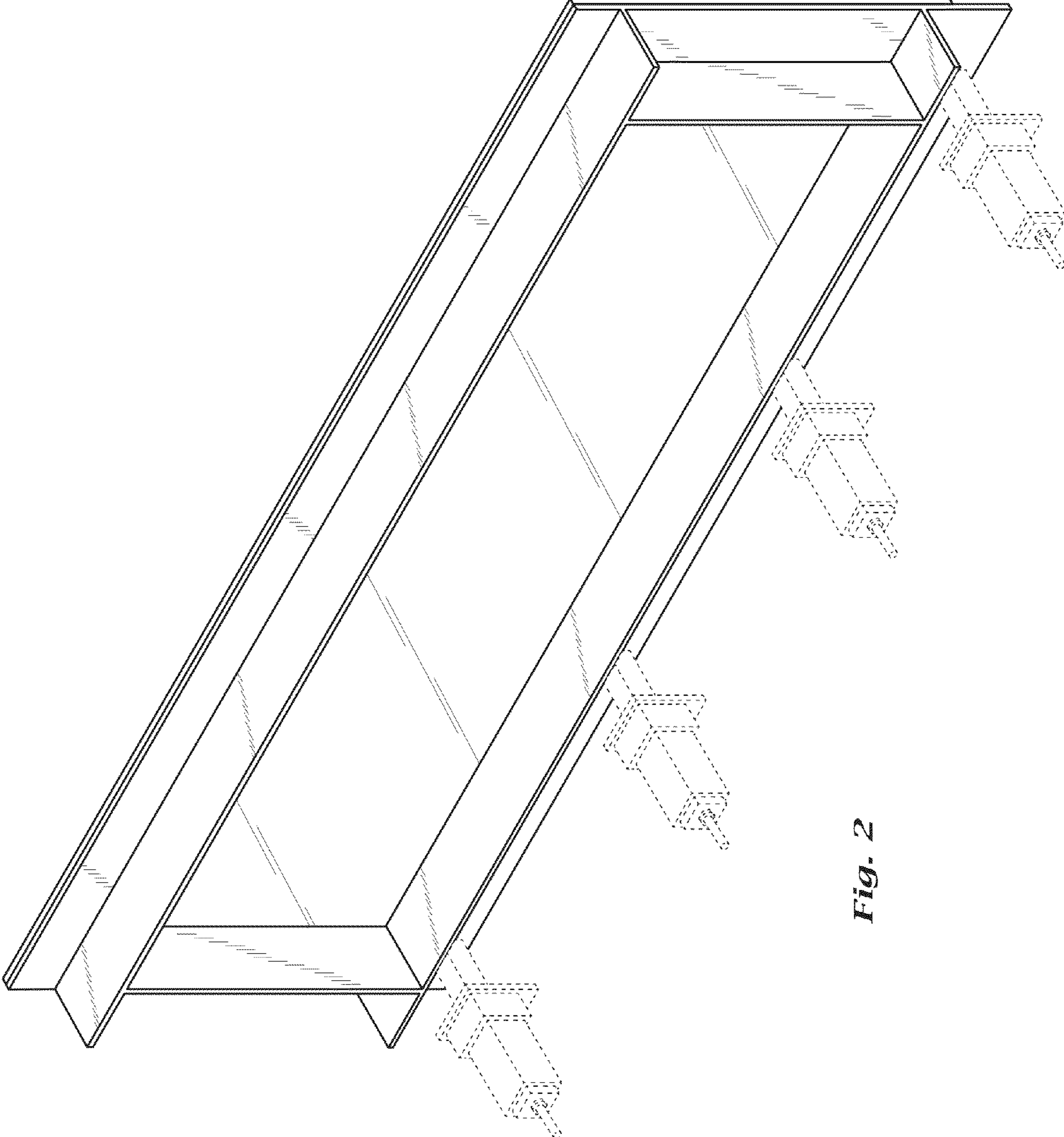
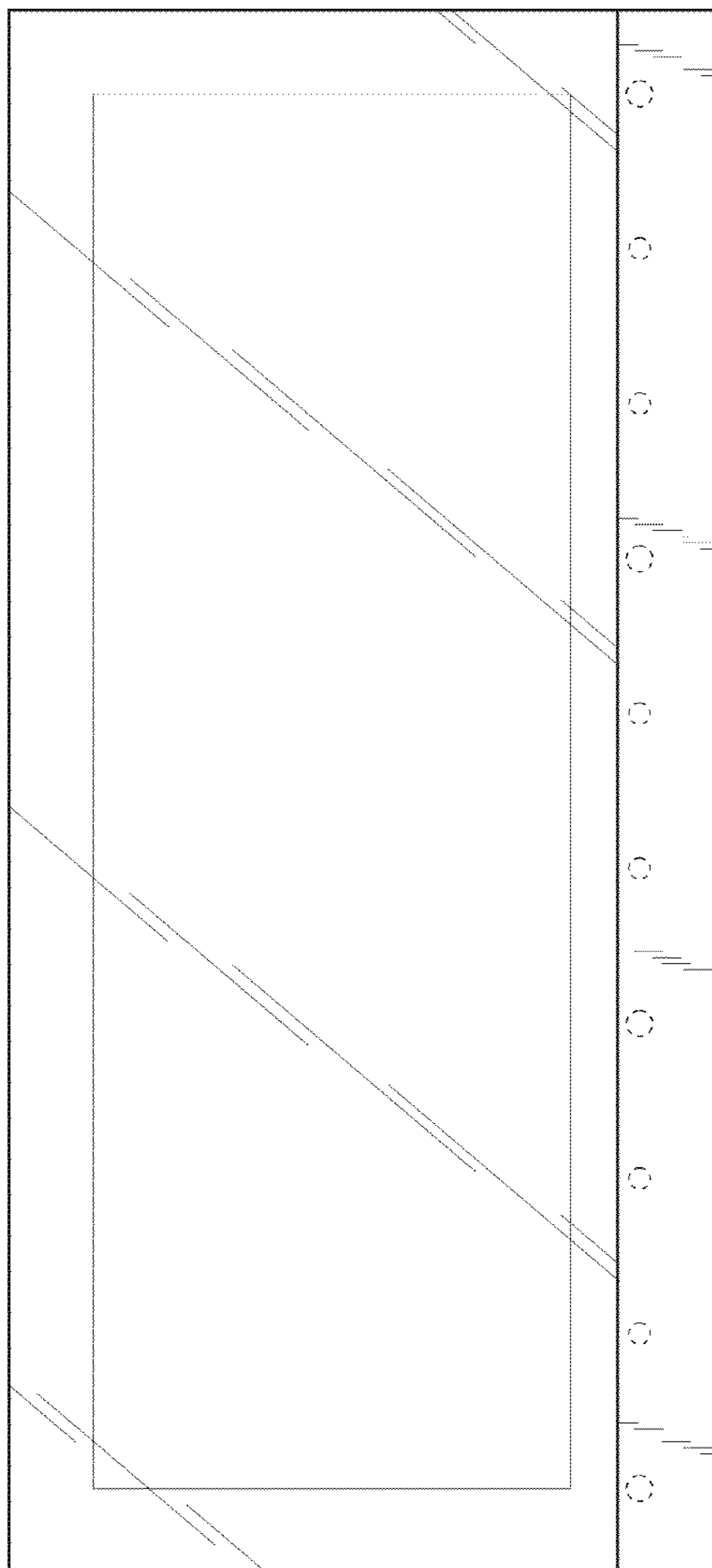
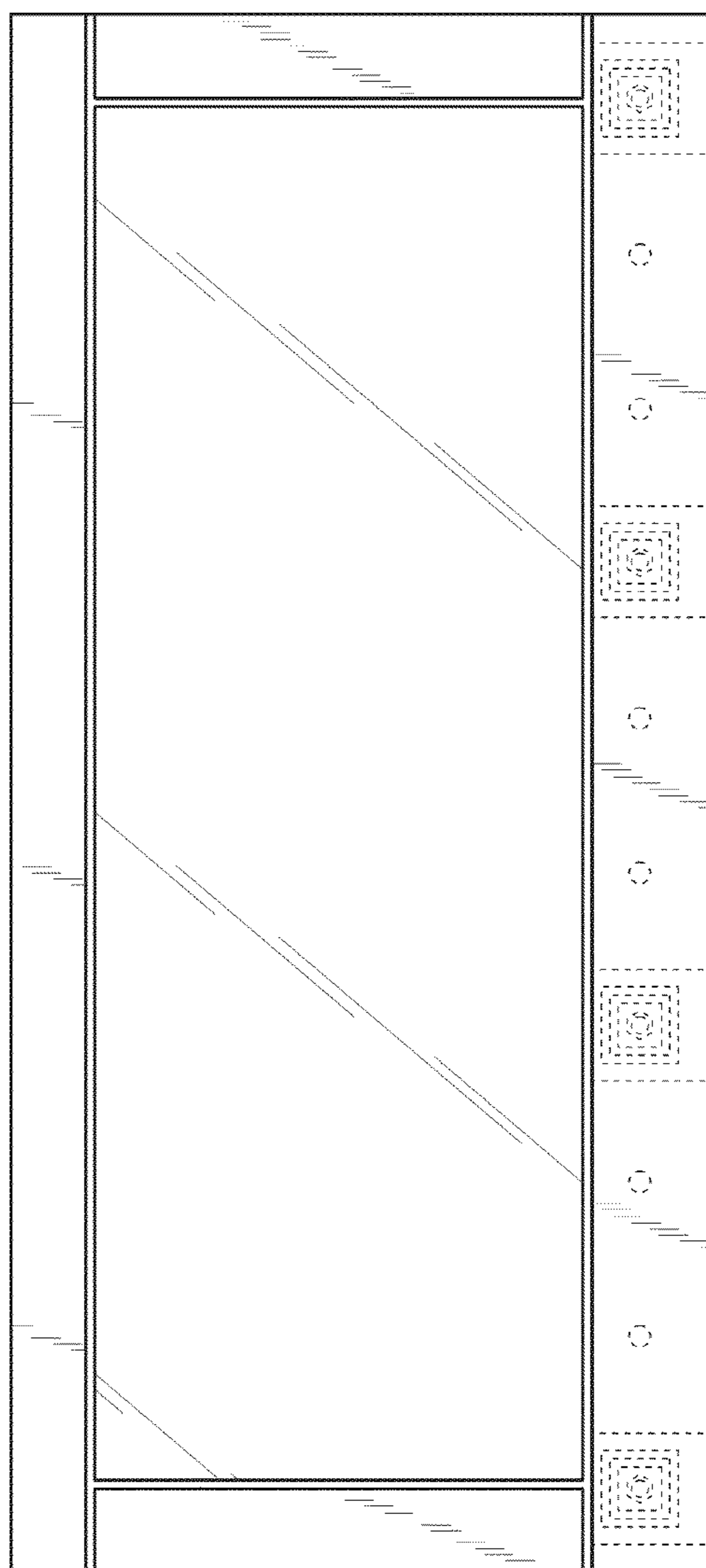


Fig. 2

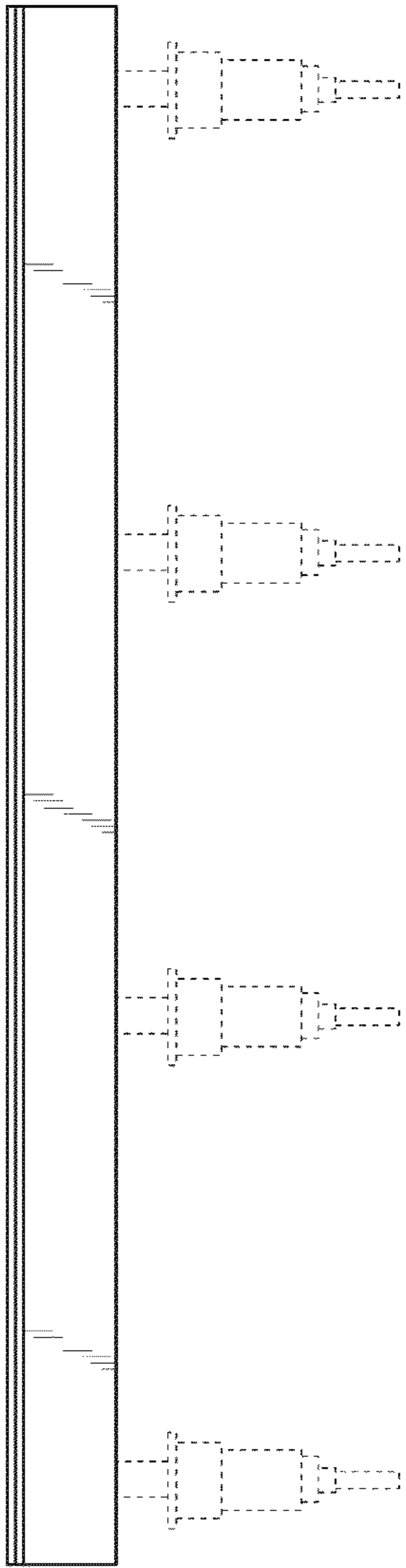


*Fig. 3*

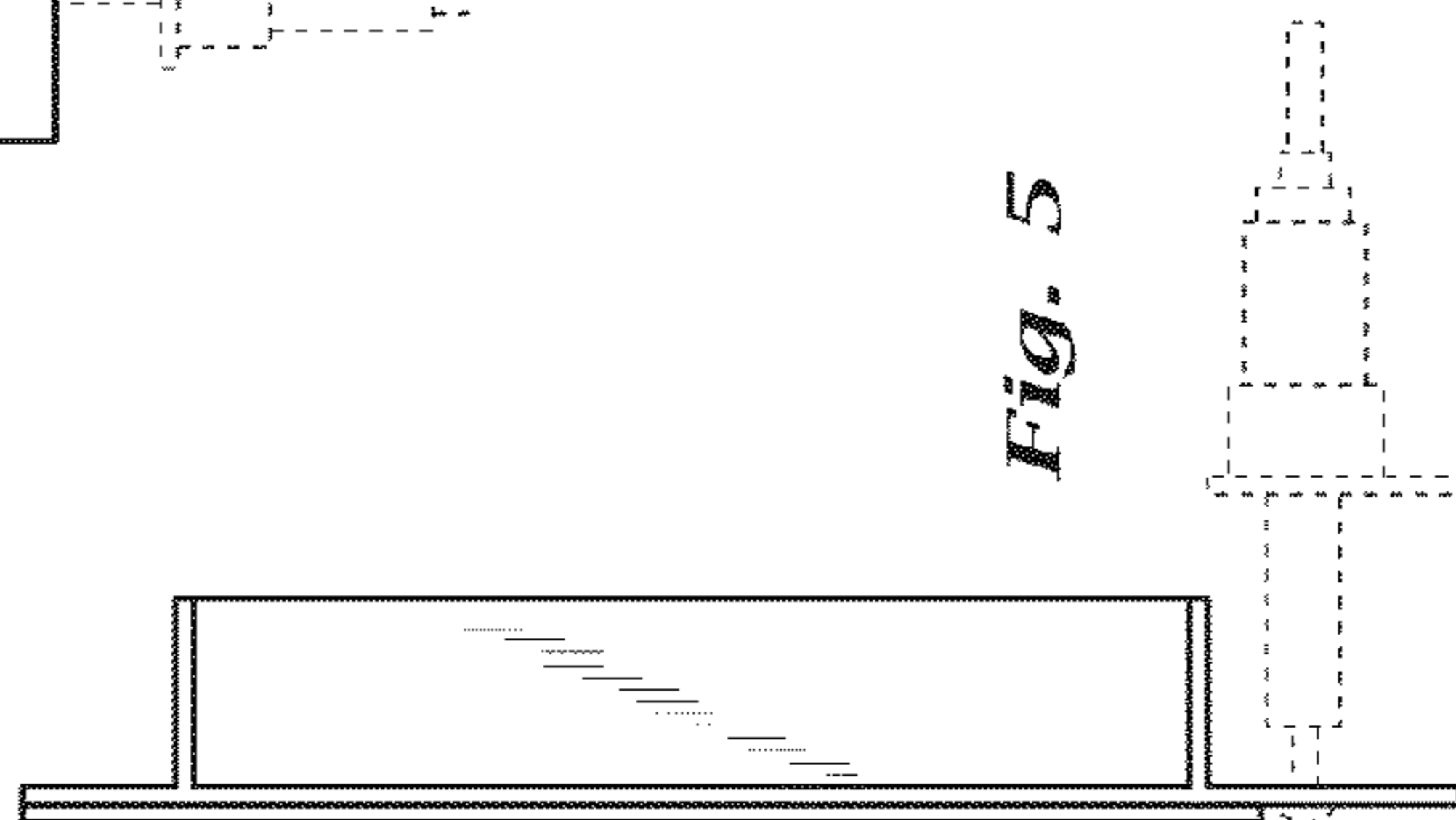
*Fig. 4*



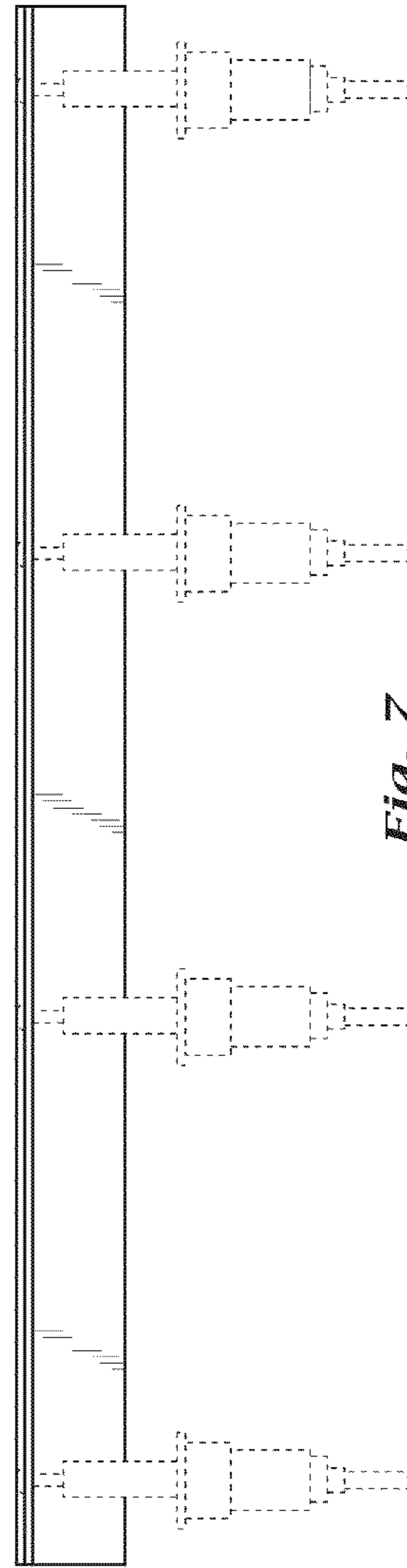




*Fig. 6*



*Fig. 5*



*Fig. 7*