

US00D707914S

(12) **United States Design Patent**
Ward

(10) **Patent No.:** **US D707,914 S**
(45) **Date of Patent:** **** Jun. 24, 2014**

(54) **CREEPER WITH A COLLAPSIBLE CHAIR**

(71) Applicant: **James Darrell Ward**, Carmi, IL (US)

(72) Inventor: **James Darrell Ward**, Carmi, IL (US)

(**) Term: **14 Years**

(21) Appl. No.: **29/463,170**

(22) Filed: **Aug. 19, 2013**

(51) **LOC (10) Cl.** **12-02**

(52) **U.S. Cl.**
USPC **D34/23; D6/336**

(58) **Field of Classification Search**
USPC D6/335, 336, 337, 338, 349, 350, 351,
D6/352, 353, 354, 368, 702, 704, 705, 708,
D6/716; 297/129, 188.01, 188.04, 188.06,
297/17, 52; D34/23

See application file for complete search history.

(56) **References Cited**

U.S. PATENT DOCUMENTS

2,843,391	A	9/1955	Pelletier	
D285,018	S *	8/1986	Quinonez	D34/23
D289,815	S *	5/1987	Quinonez	D34/23
4,895,380	A	1/1990	Brooks et al.	
5,451,068	A	9/1995	Shockley	
5,577,744	A *	11/1996	Parks	280/32.6
5,611,551	A *	3/1997	Lin	280/32.5
5,707,067	A	1/1998	Smith	
RE35,732	E *	2/1998	Shockley	296/136.07
5,857,683	A	1/1999	Auel	
D412,045	S *	7/1999	Yuan	D34/23
5,947,489	A *	9/1999	Tucker	280/32.6

6,095,532	A *	8/2000	Martin	280/32.6
D431,705	S *	10/2000	Yuan	D34/23
6,199,877	B1 *	3/2001	Shockley	280/32.6
D453,601	S *	2/2002	Ji	D34/23
6,398,234	B1 *	6/2002	Brown	280/32.6
6,834,868	B1 *	12/2004	Blackburn	280/32.6
7,032,909	B2 *	4/2006	Lensing	280/32.6
D553,823	S *	10/2007	Liu	D34/23
7,374,181	B1 *	5/2008	Wu	280/32.6
D573,324	S *	7/2008	Hernandez	D34/23
D574,517	S *	8/2008	Foster	D25/113
7,481,438	B2 *	1/2009	Hernandez	280/32.6
D608,072	S *	1/2010	Hernandez	D34/23
D620,669	S *	7/2010	Hernandez	D34/23
8,573,607	B2 *	11/2013	Meacham et al.	280/32.6

* cited by examiner

Primary Examiner — Sandra Snapp

(74) *Attorney, Agent, or Firm* — Suzanne Kikel, Patent Agent

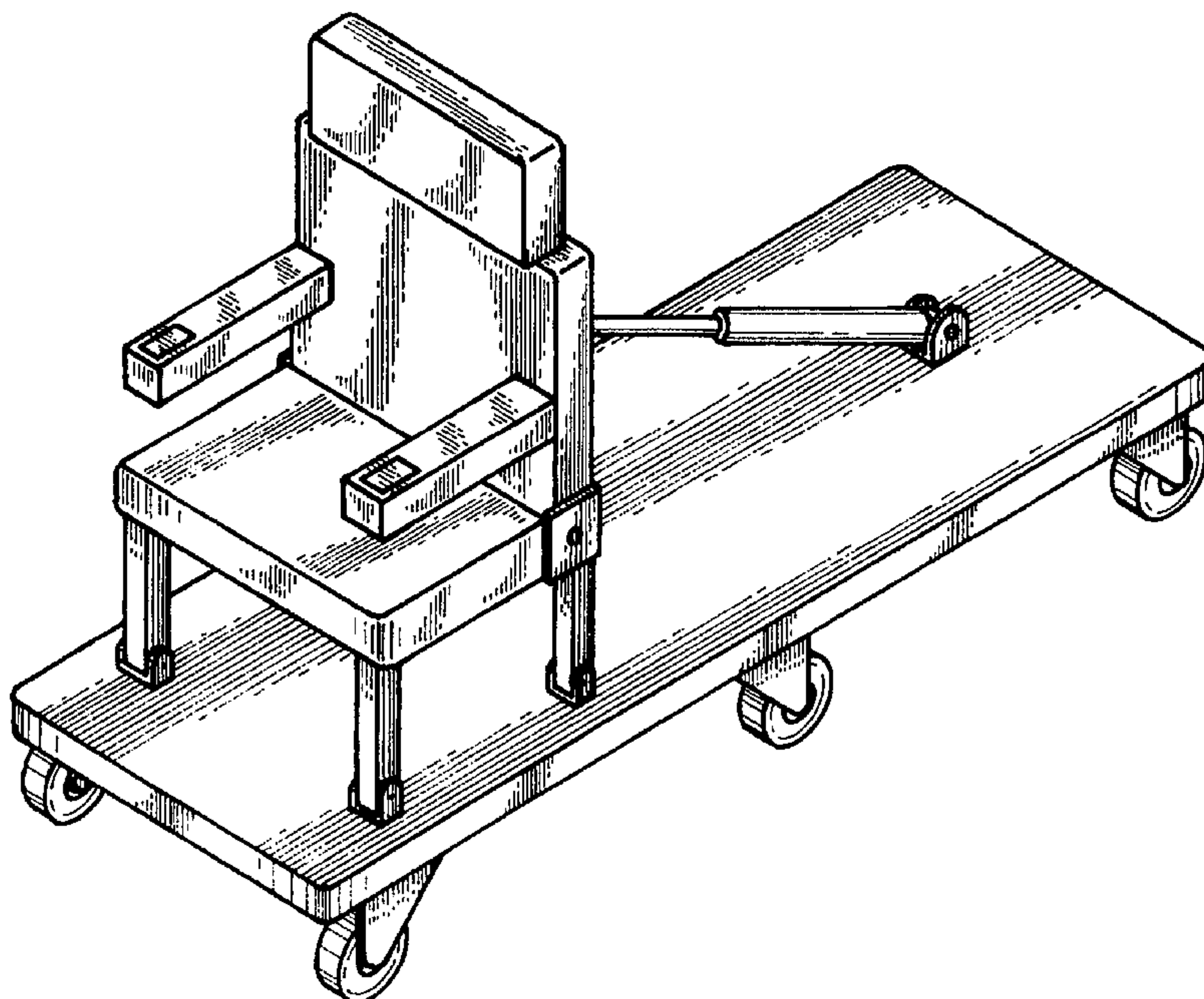
(57) **CLAIM**

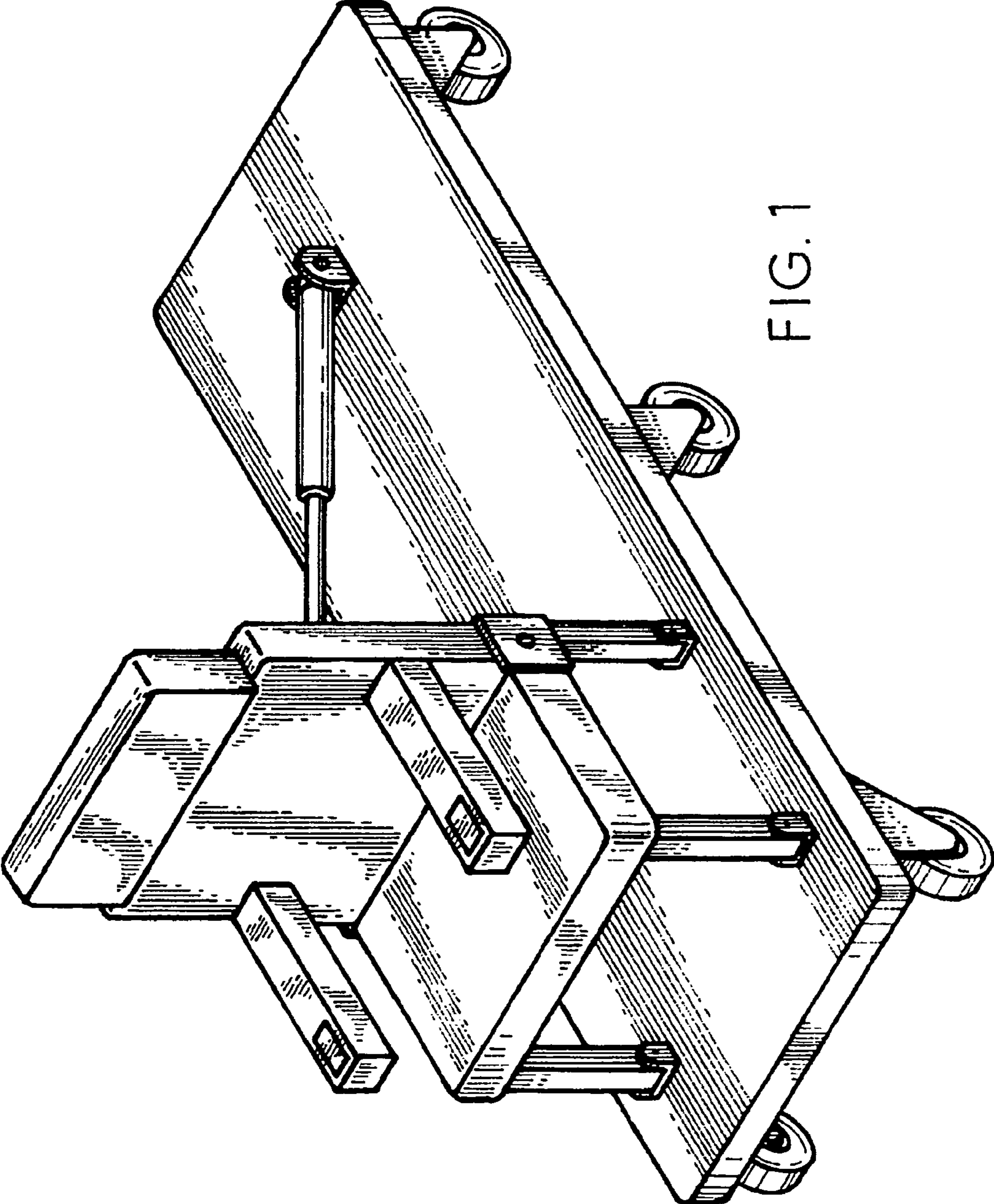
The ornamental design for a creeper with a collapsible chair, as shown and described.

DESCRIPTION

FIG. 1 is an isometric view of a creeper with a collapsible chair, showing my new design.
FIG. 2 is a right side elevation view of the design of FIG. 1, where the left side elevation view is a mirror image thereof.
FIG. 3 is a top plan view thereof.
FIG. 4 is a bottom plan view thereof.
FIG. 5 is a front elevation view thereof; and,
FIG. 6 is a rear elevation view thereof.

1 Claim, 4 Drawing Sheets





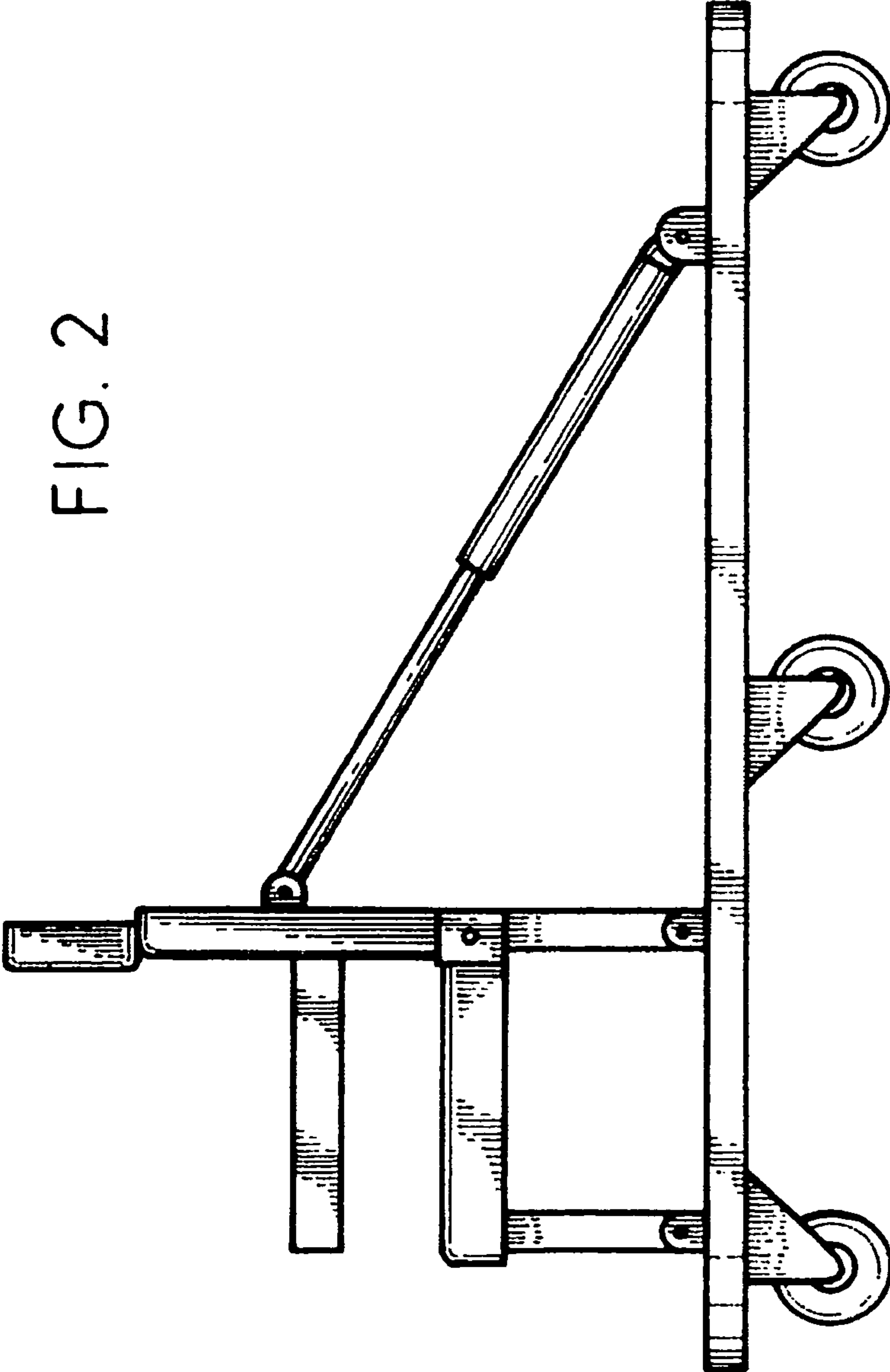


FIG. 2

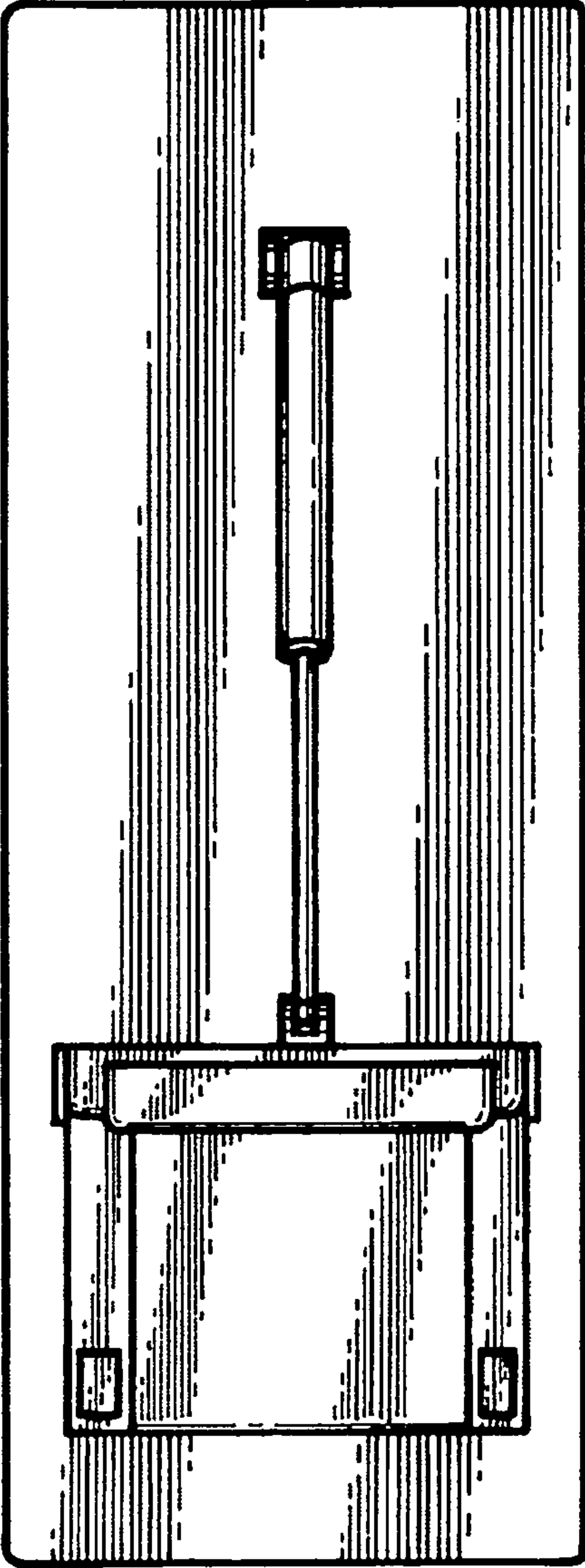


FIG. 3

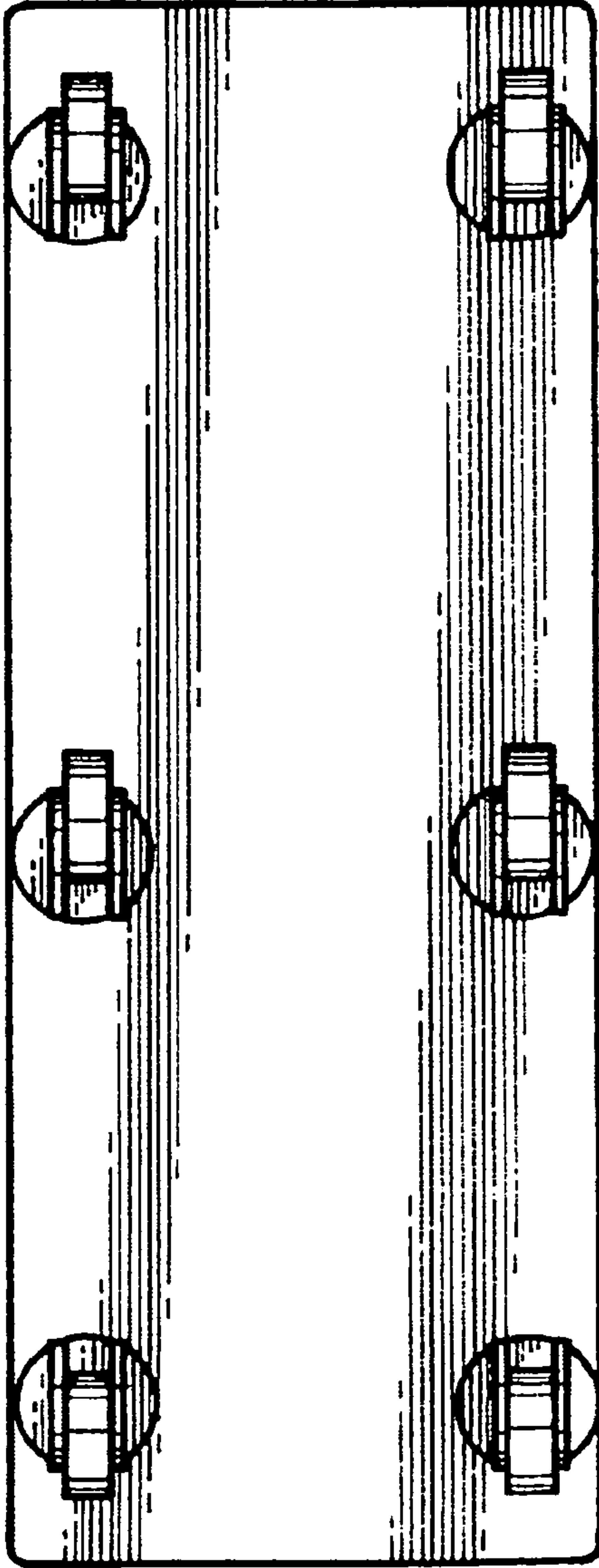


FIG. 4

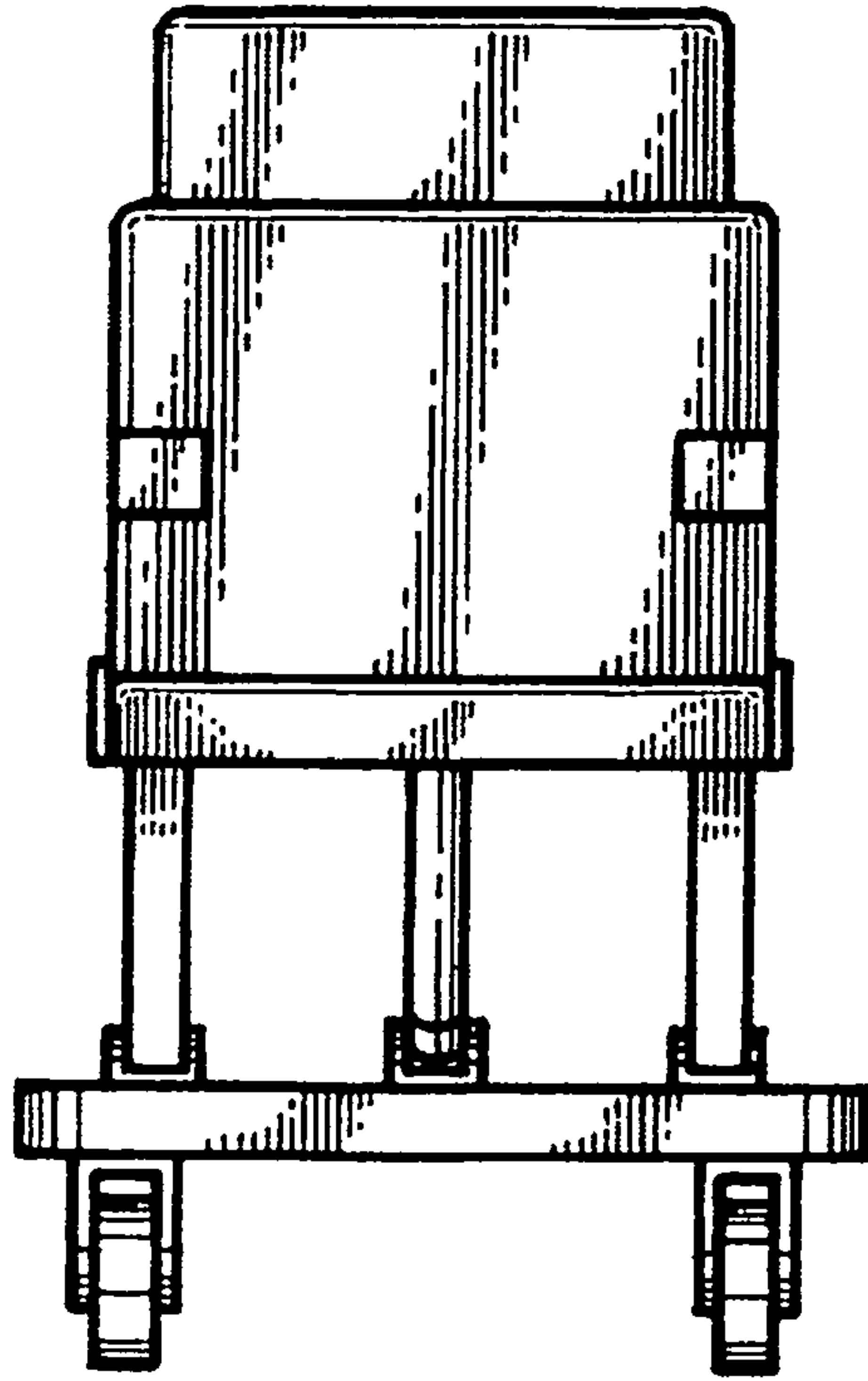


FIG. 5

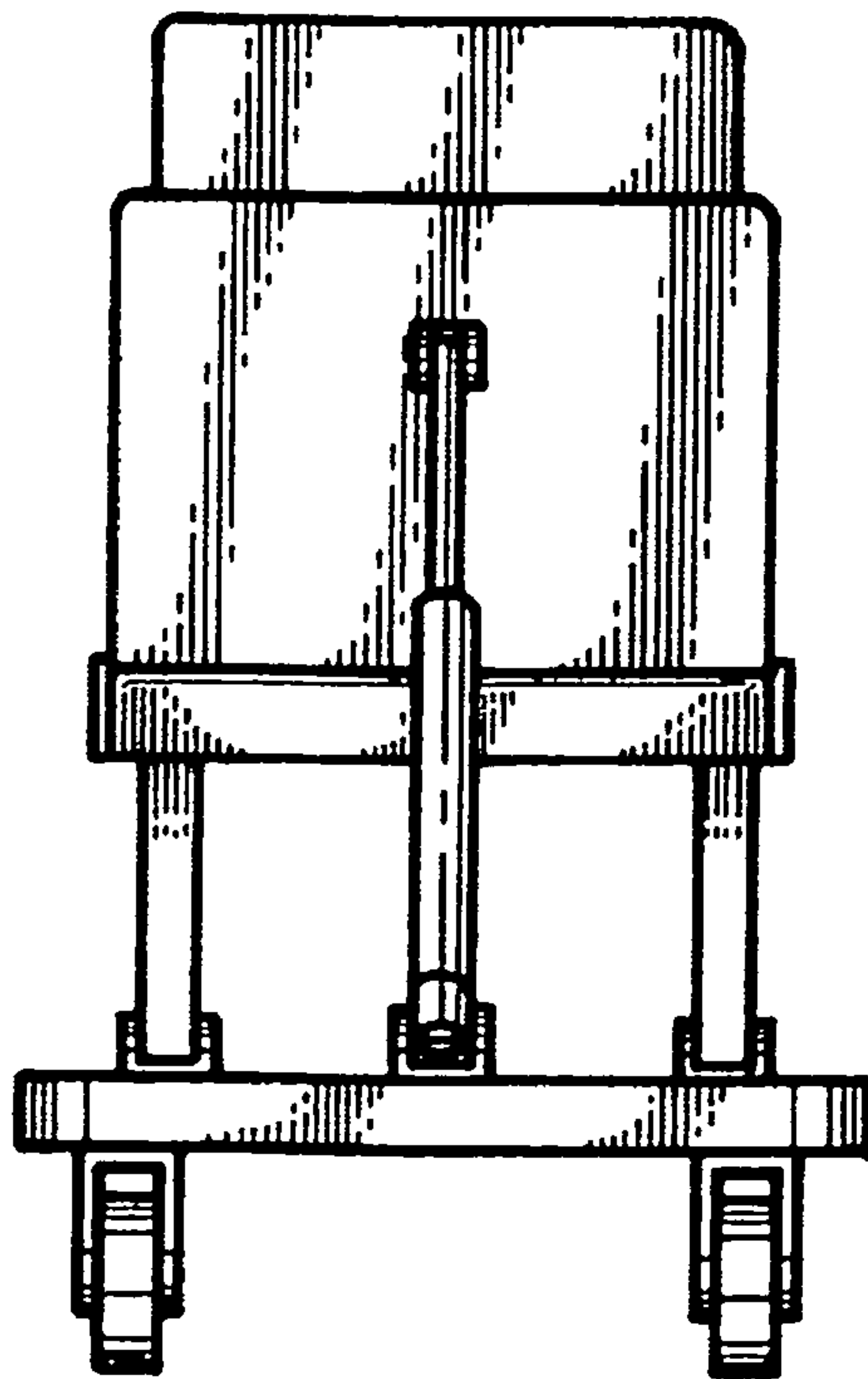


FIG. 6